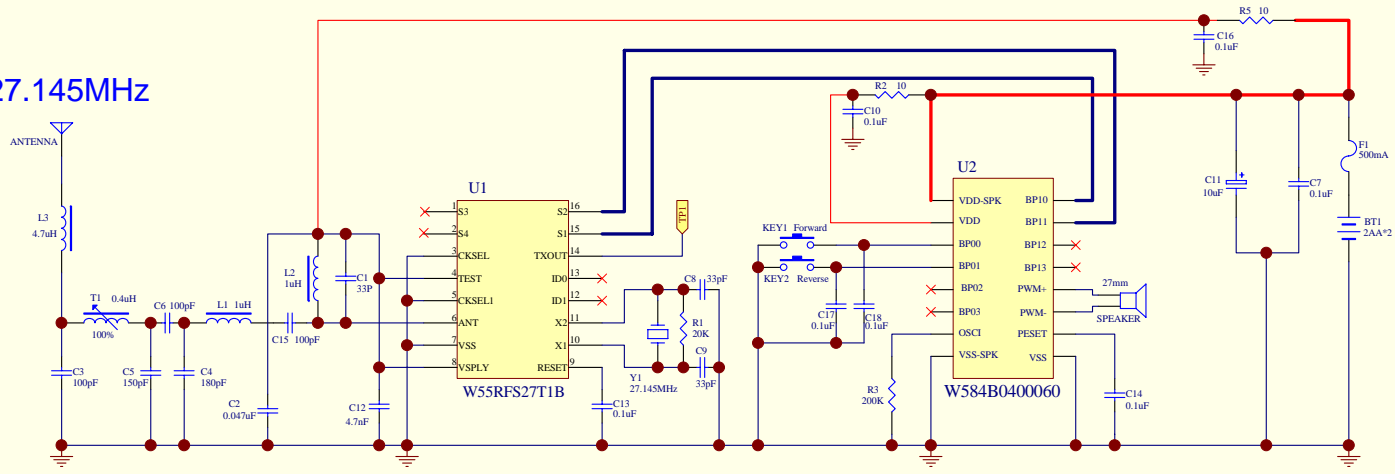


REV.	MODIFIED DESCRIPTION	BY: / DATE	APR. / DATE
	INITAL RELEASE		

27.145MHz



Note:  
 1.All resistor values are indicated in "ohm" (1K=1000ohm),unless otherwise noted.  
 2.All capacitance values are indicated in "uF",inductance in "uH",unless otherwise noted.

**FORWARD WINSOME IND. LTD.**

PROJECT NO: 21458	COMPONENT NO: 21458-3120	DRN.BY: NQ.Chen	DATE: 10/26/2010
PROJECT NAME: 21458	COMPONENT NAME: 21458 TX_SCHEMATIC	CKD.BY: NQ.Chen	DATE: 10/26/2010
PROJECTION:	SCALE: 1:1	UNIT: mm	MAT
	DWG.NO: ENG-SC21458-02	REV: 1.0	SHEET NO: 1 of 1

