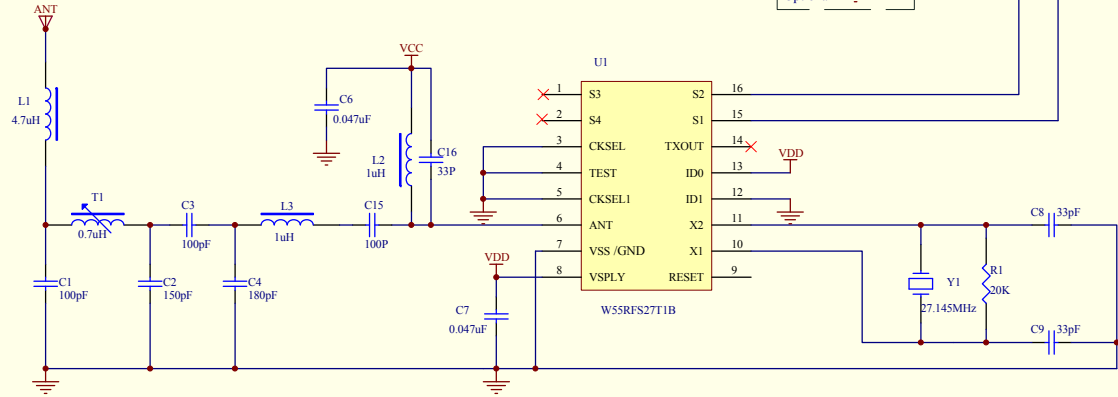
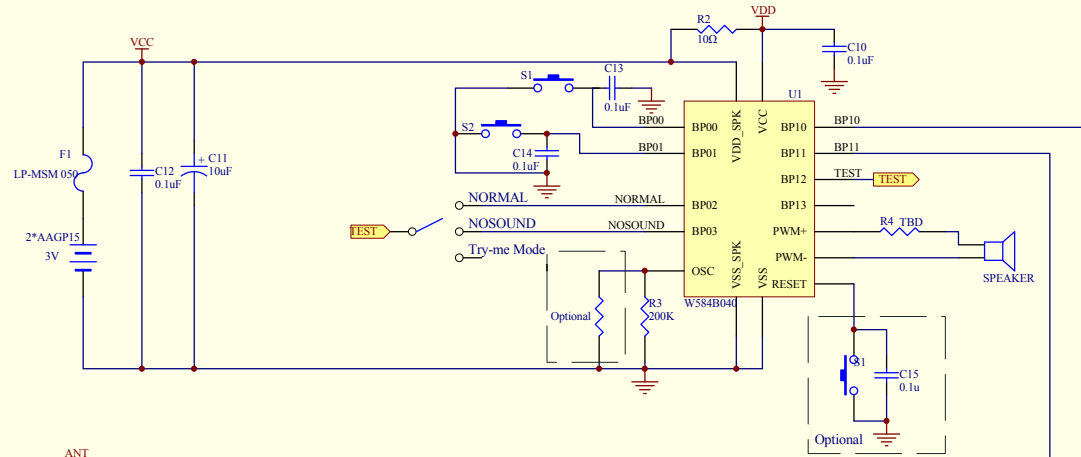


REV.	MODIFIED DESCRIPTION	BY: / DATE	APR. / DATE
	INITAL RELEASE		



Note:

- 1.All resistor values are indicated in "ohm" (1K=1000ohm),unless otherwise noted.
- 2.All capacitance values are indicated in "uF",inductance in "uH",unless otherwise noted.

FORWARD WINSOME IND. LTD.

PROJECT NO:	19279TX	COMPONENT NO:		DRN.BY:	ZJ Yang	DATE:	8/17/2009
PROJECT NAME:	19279TX	COMPONENT NAME:	19279 TX SCHEMATIC	CKD.BY:	WJ Lai	DATE:	8/17/2009
PROJECTION:		SCALE:	1:1	UNIT:	mm	MAT	
				APVD.BY:	WJ Lai	DATE:	8/17/2009
DWG.NO:	ENG-SC 19279-01	REV:	1.0	SHEET NO:	1 of 1		

