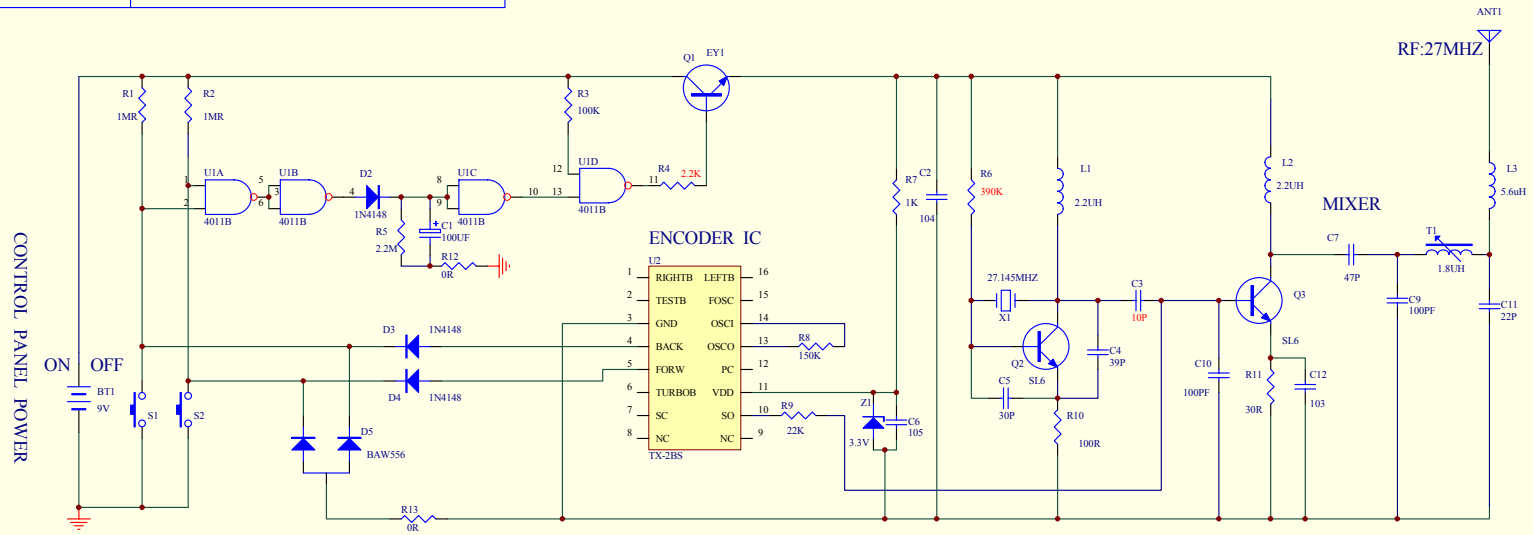


Company Name:	Hasbro Toy Ltd
Item Name:	Ton Bounce Back Buddy
Asst No:	09995
Item NO:	A102
Date:	2008-5-15
Page:	1 of 1
Revison:	A

27MHz TX Circuit Diagram



PREPARED BY:	CHEN GUO	CHECK BY:		APPROVED BY:	
--------------	----------	-----------	--	--------------	--