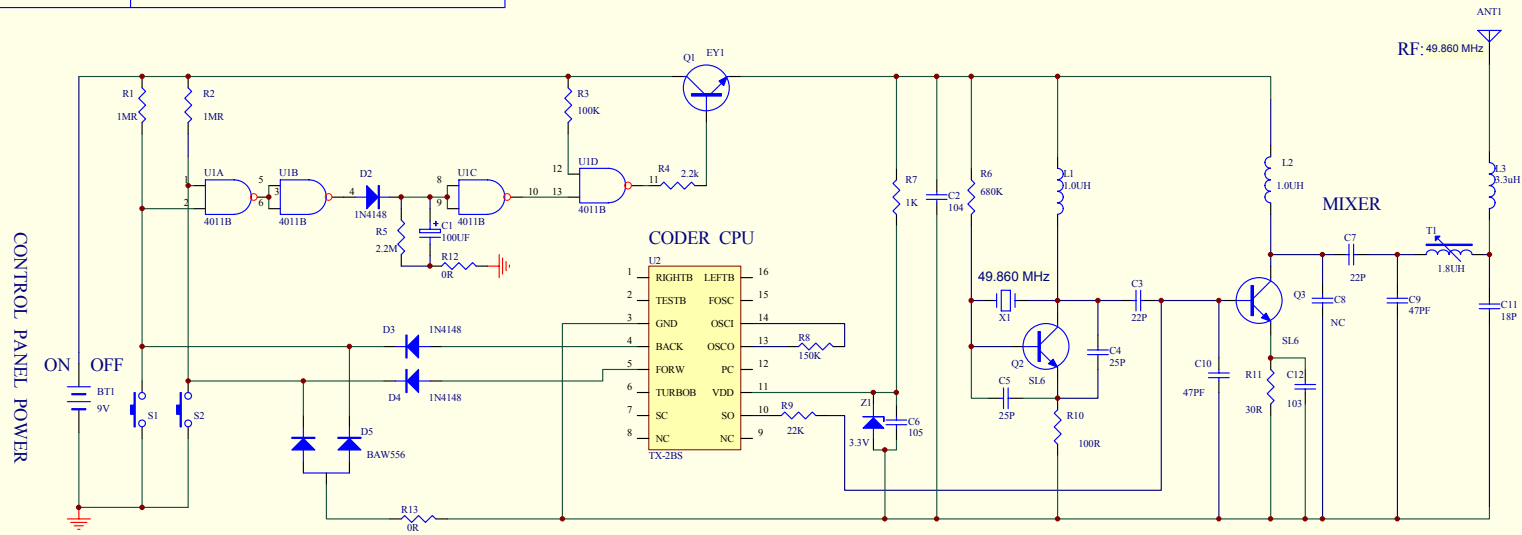


Company Name:	Hasbro Toy Ltd
Item Name:	Ton Bounce Back Buddy
Asst No:	099950001
Item NO:	A102-49MHz
Date:	2009-1-8
Page:	1 of 1
Revision:	A

49MHz TX Circuit Diagram



PREOARED BY:

CHEN GUO

AUDIY BY:

AORROVED BY:

ZHOU XIAO HE