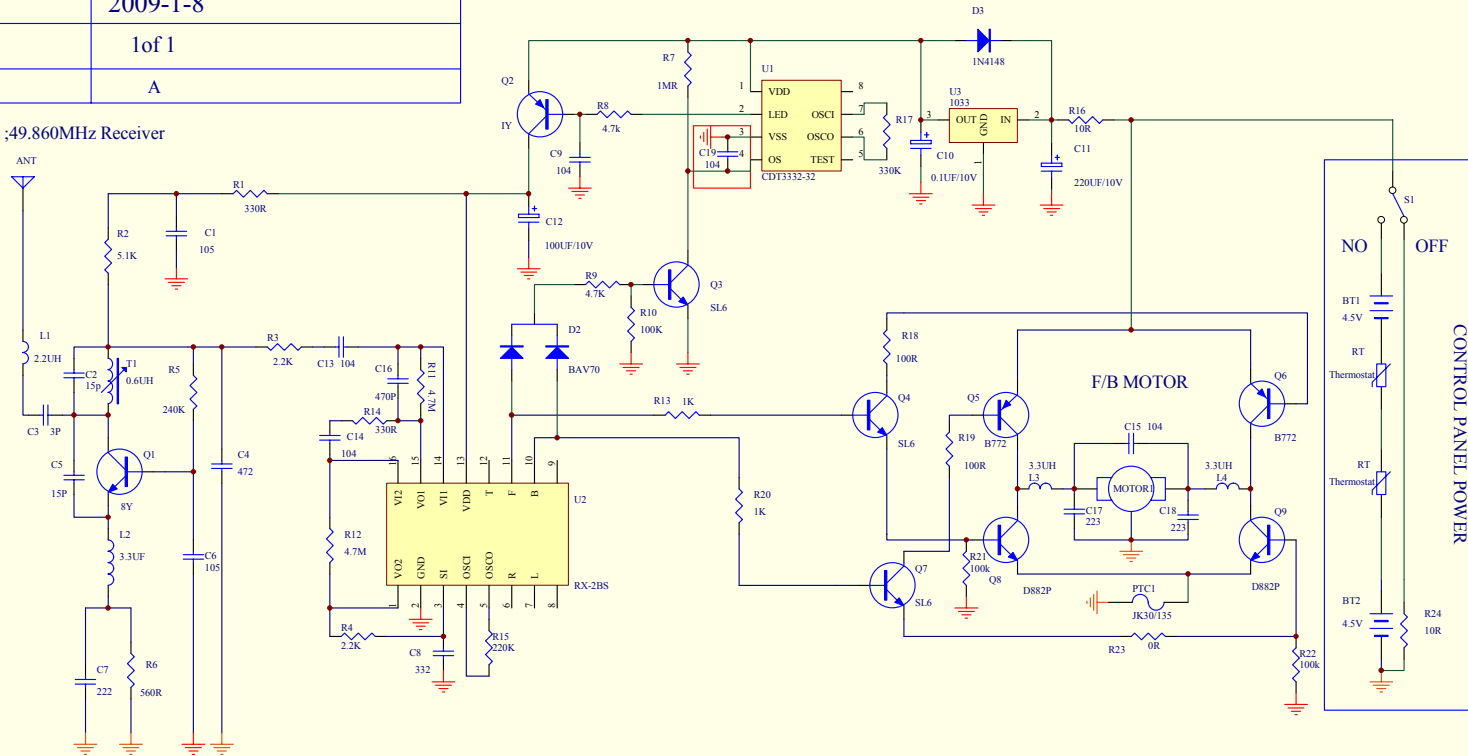


Company Name:	Hasbro Toy Ltd
Item Name:	Ton Bounce Back Buddy
Asst No:	099950001
Item NO:	A102-49MHz
Date:	2009-1-8
Page:	1 of 1
Revision:	A

## 49MHZ RX Circuit Diagram

RF ;49.860MHz Receiver



PREPARED BY:	CHEN GUO	CHECK BY:		APPROVED BY:	
--------------	----------	-----------	--	--------------	--