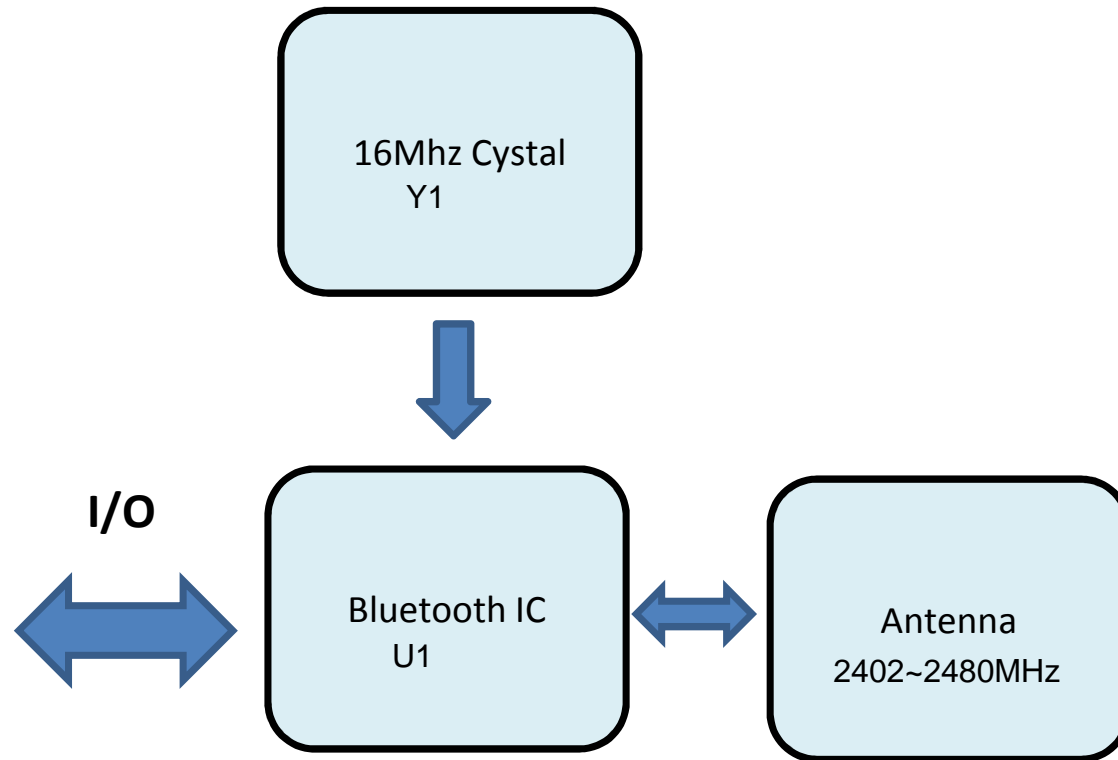


System Block Diagram

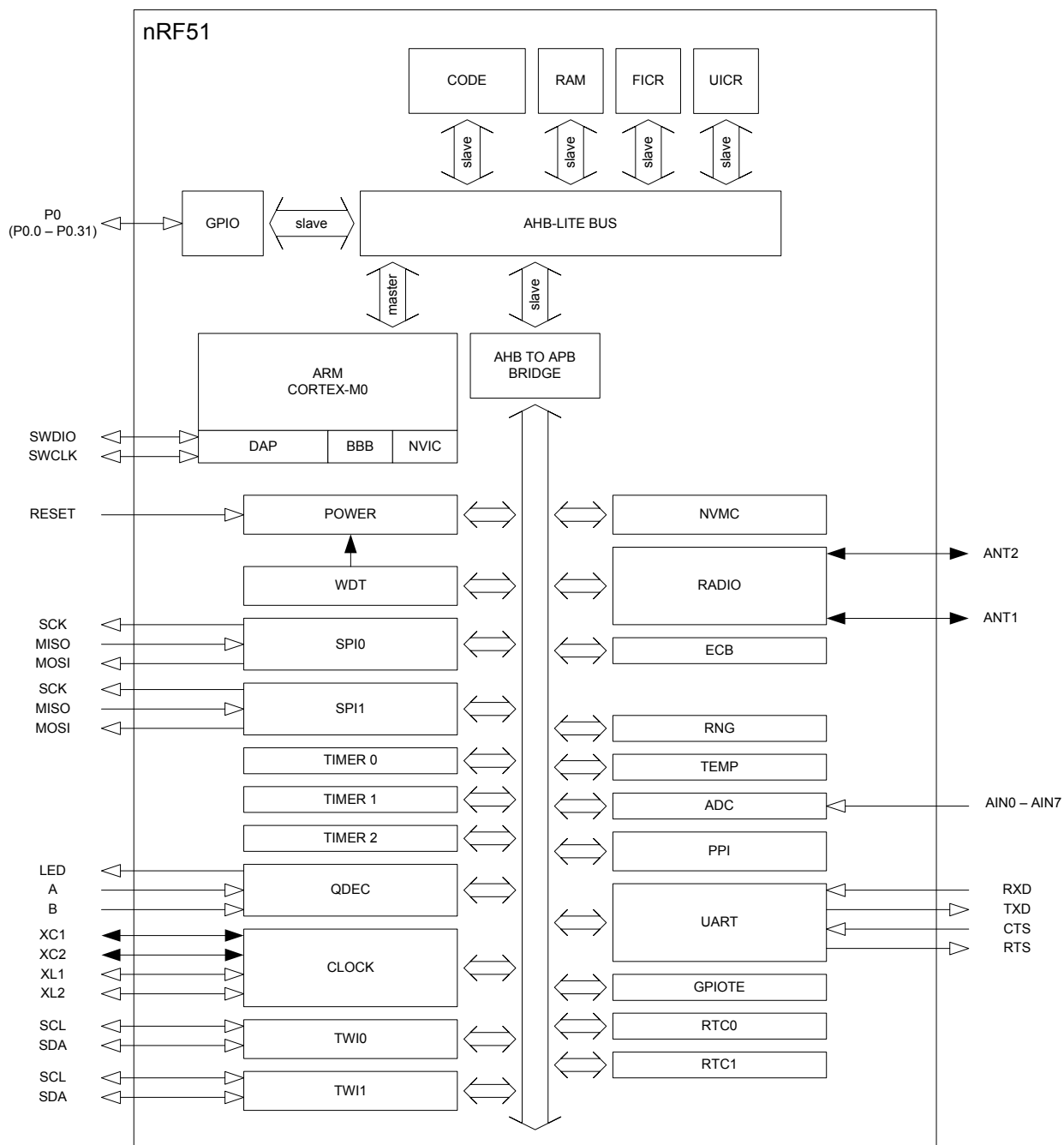
Bluetooth Module Block



Bluetooth Module Block Diagram

2 Product overview

2.1 Block diagram



Note: RESET is disabled by default.

Figure 1 nRF51822 block diagram