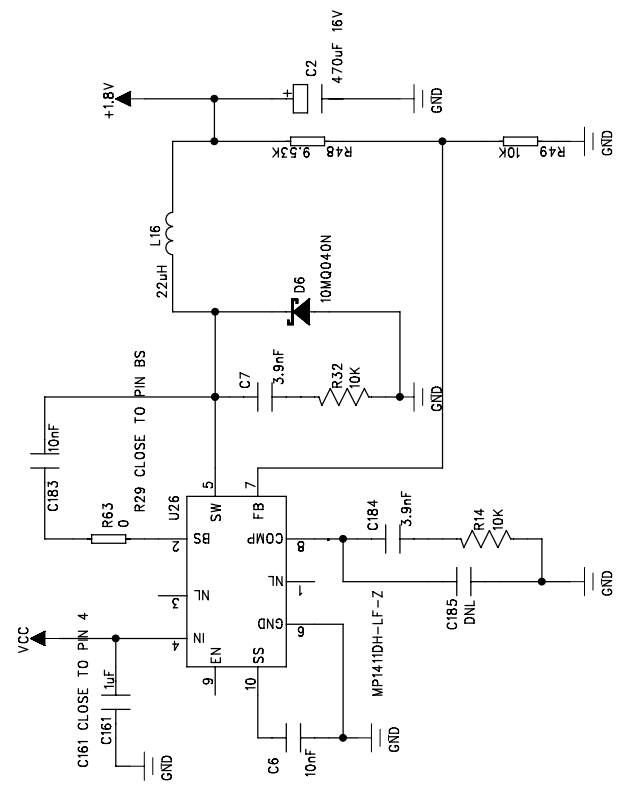
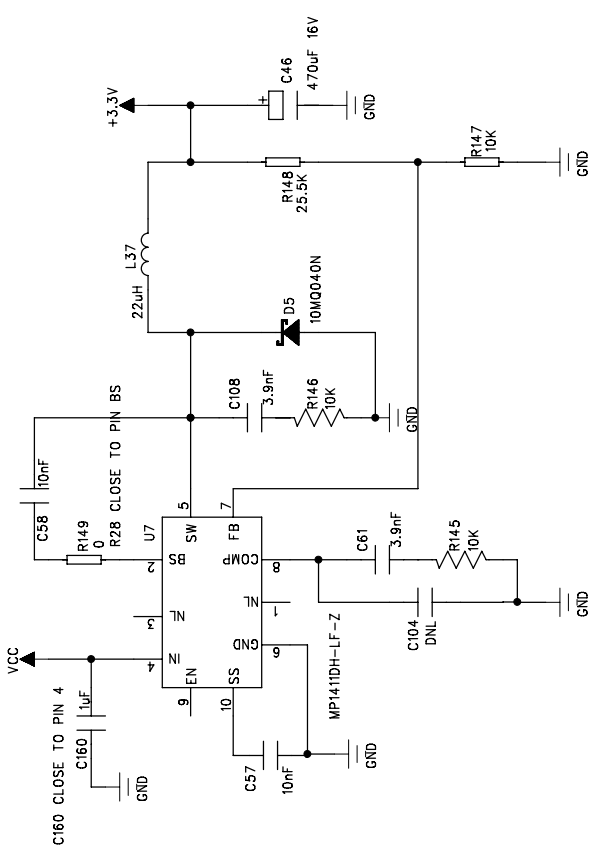
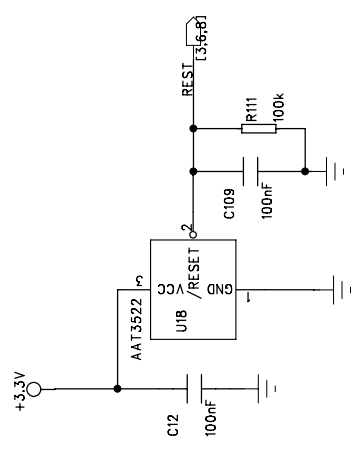
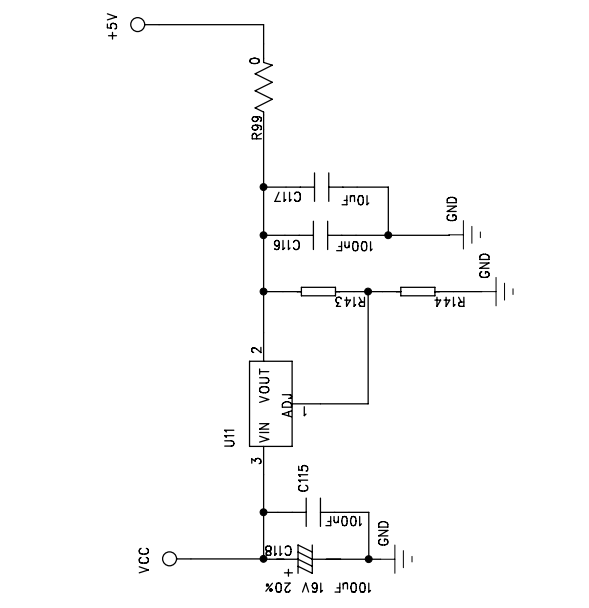
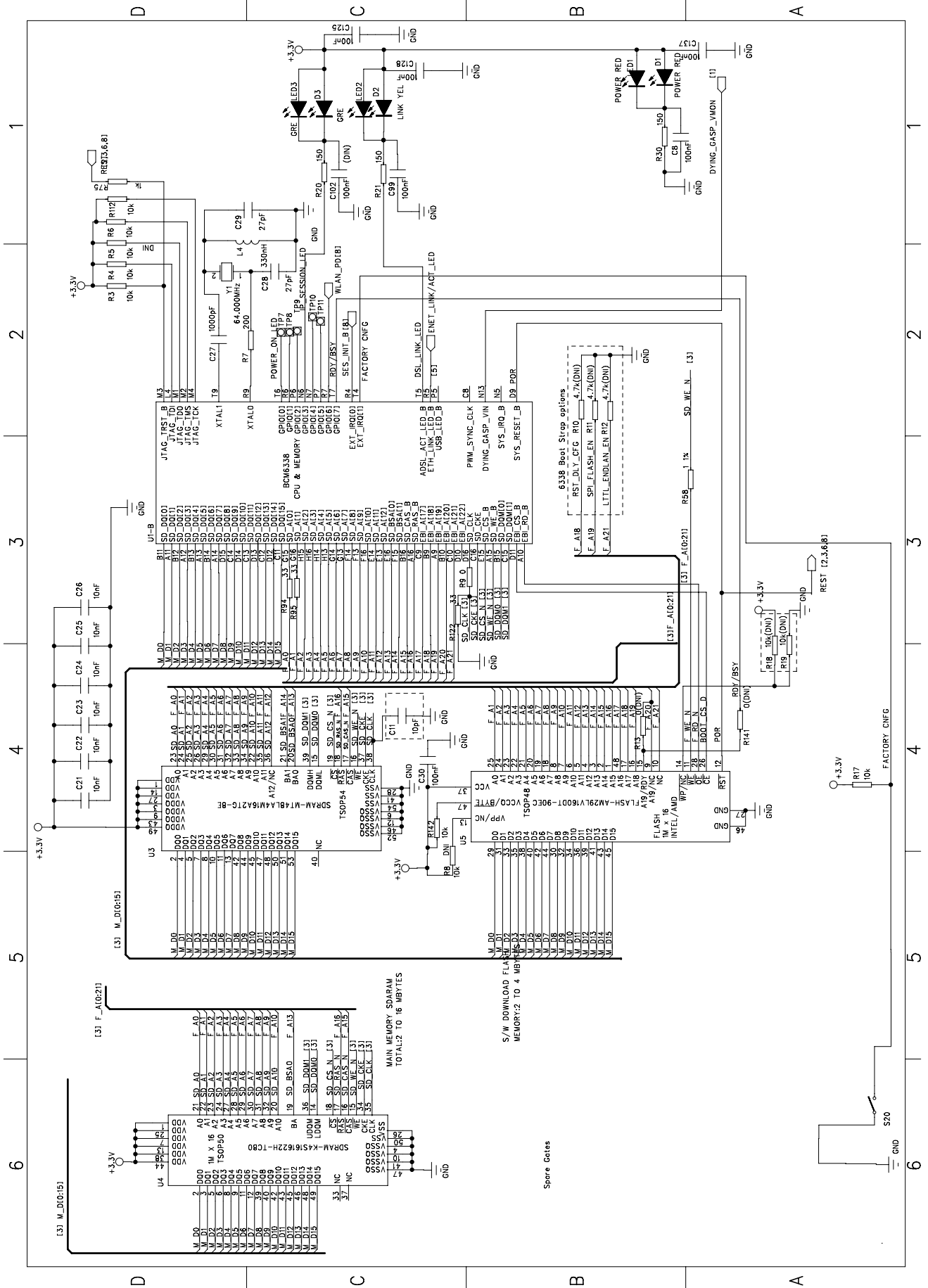
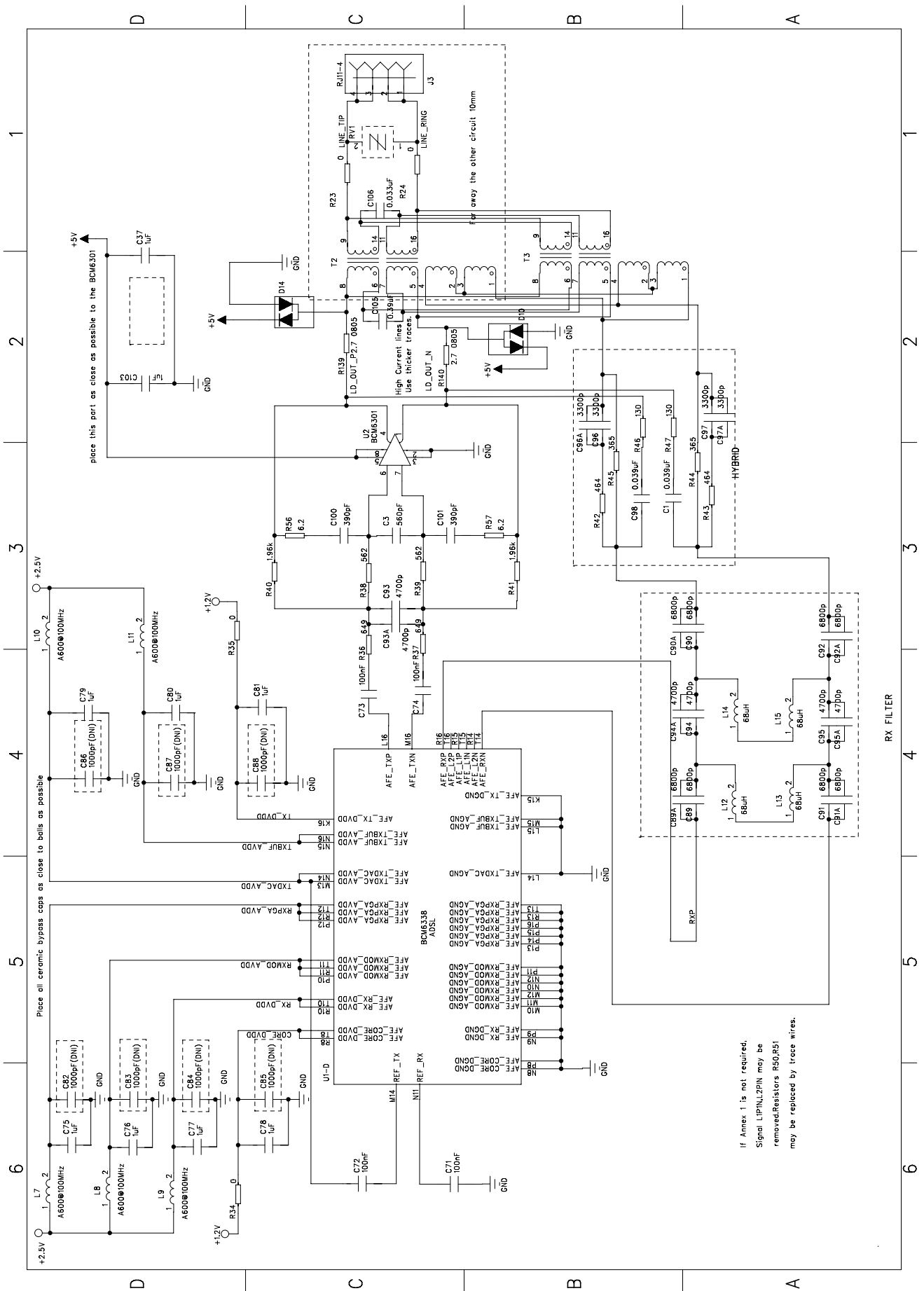


If Dying Gasp required:  
 R59 Do not install Vrip=1.25/(R60+R61)/R60  
 If Dying Gasp Not required:  
 R59 installed R60,R61,C10B not install







Place all ceramic bypass caps as close to balls as possible

place this part as close as possible to the BCM6301

High Current lines  
Use thicker traces.

LD\_OUT\_TIP 0805  
LD\_OUT\_N 2.7 0805

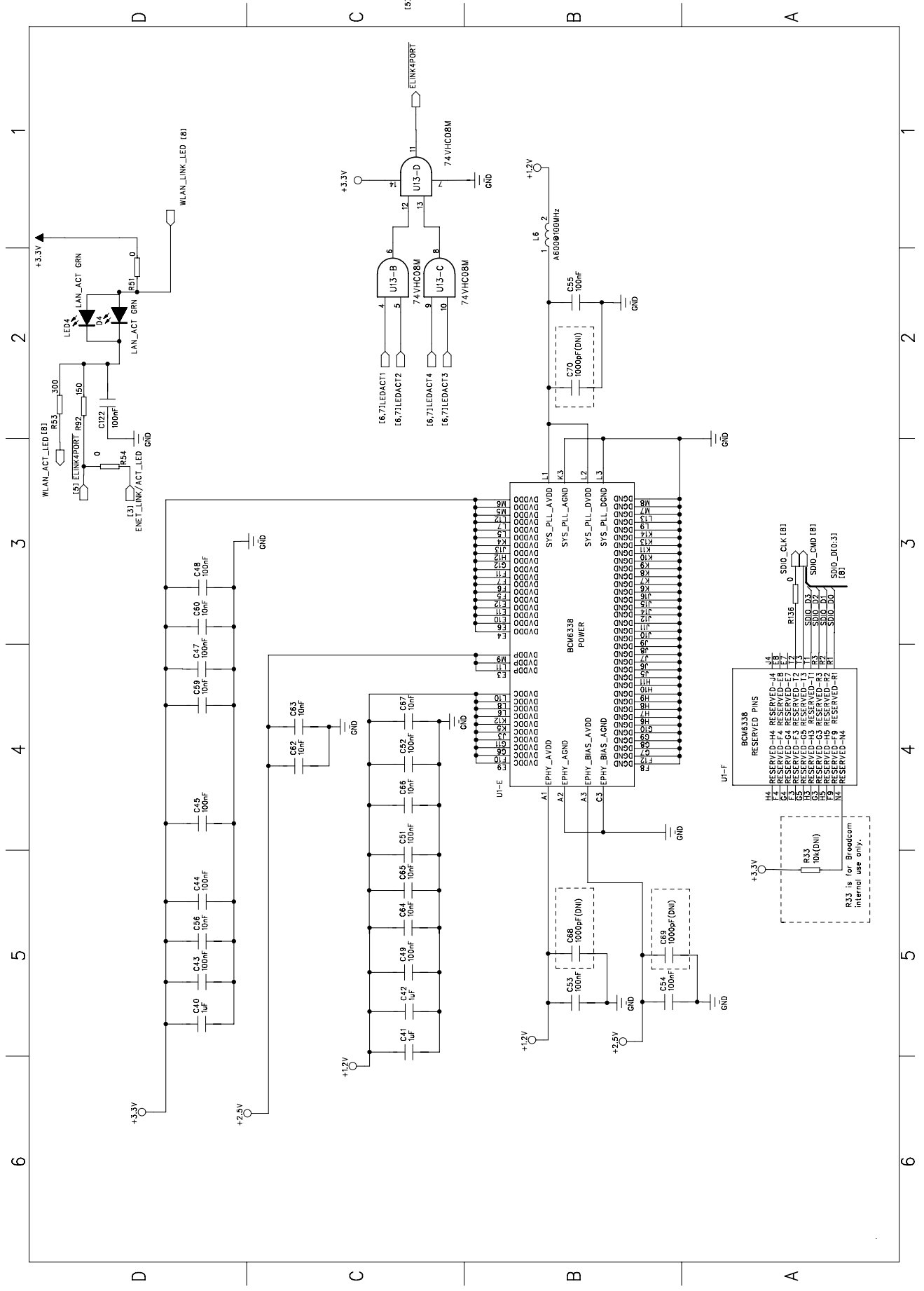
BCM6338  
ADSL

If Annex 1 is not required,  
Signal L1P/N/L2P/N may be  
removed. Resistors R50, R51  
may be replaced by trace wires.

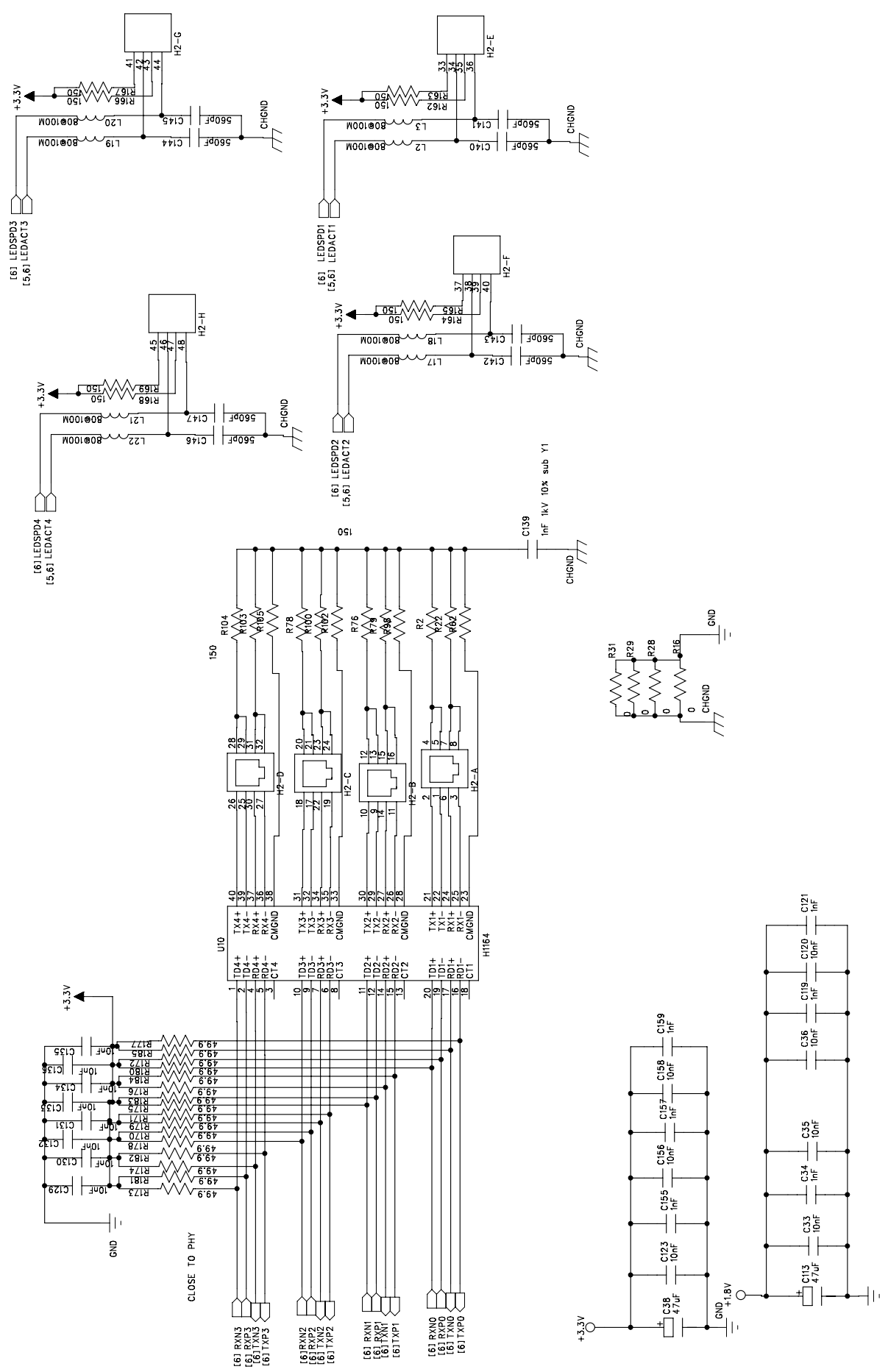
RX FILTER

RXP

HYBRID



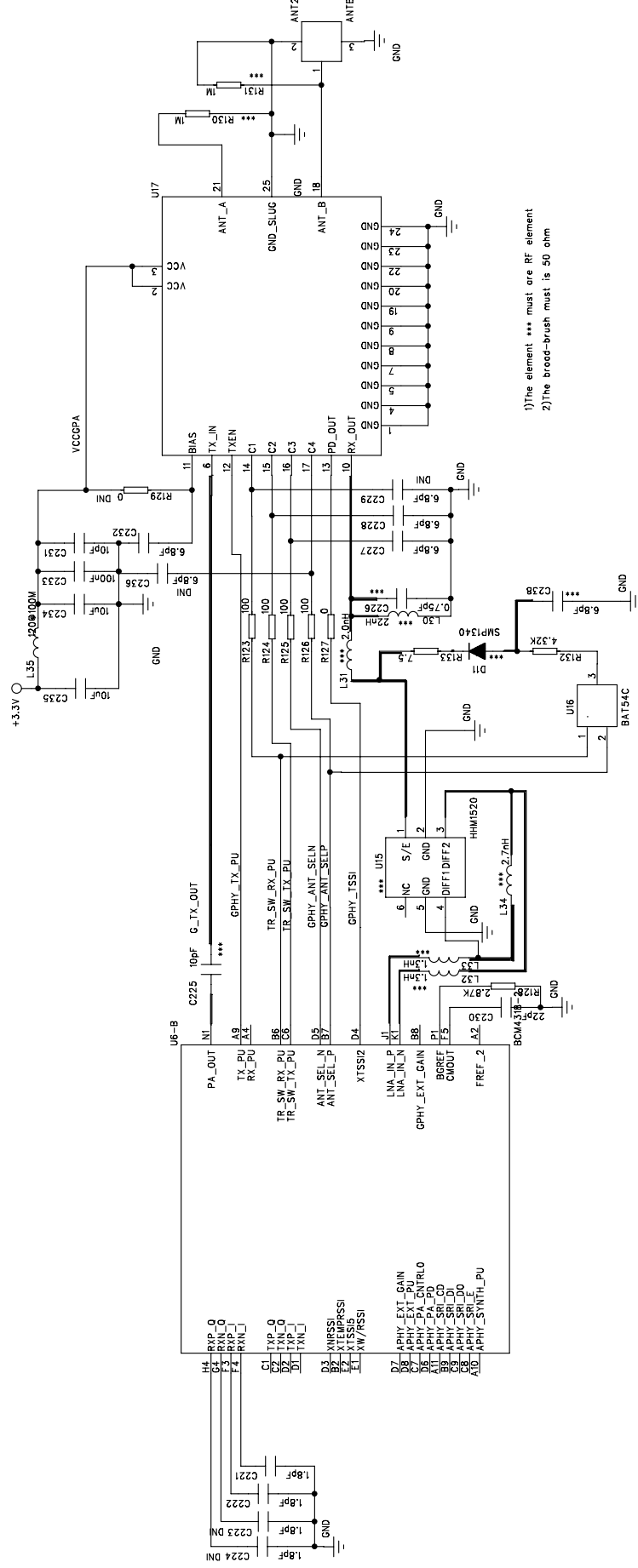








2412-2462 MHz



1)The element \*\*\* must are RF element  
 2)The brood-brush must is 50 ohm