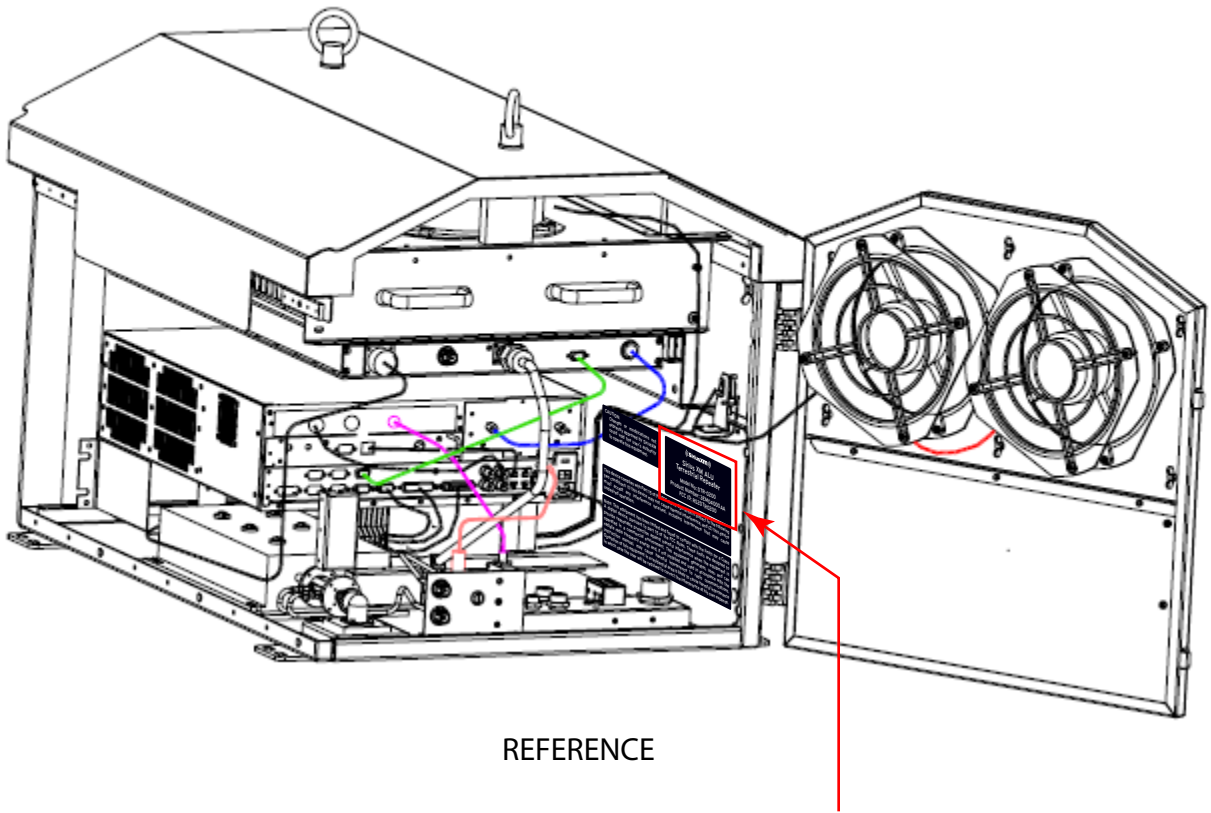
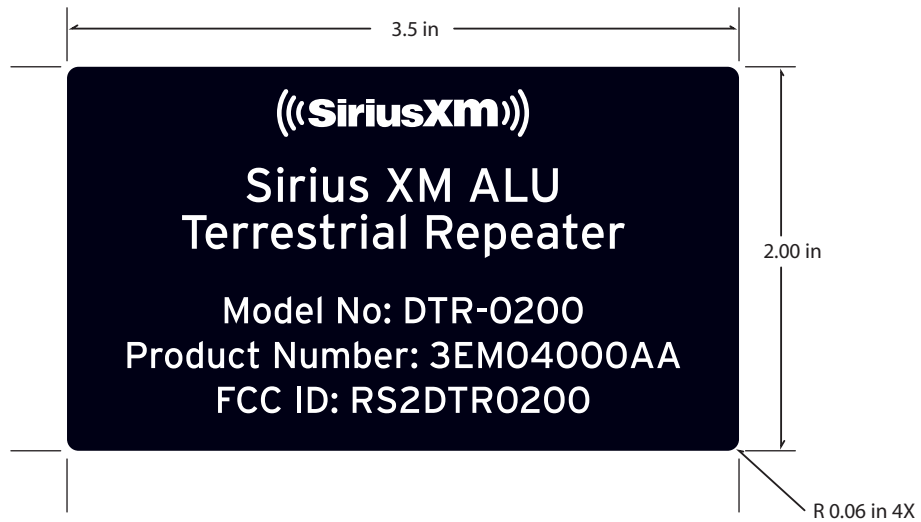




PMS Black 6 C



REFERENCE



ARTWORK

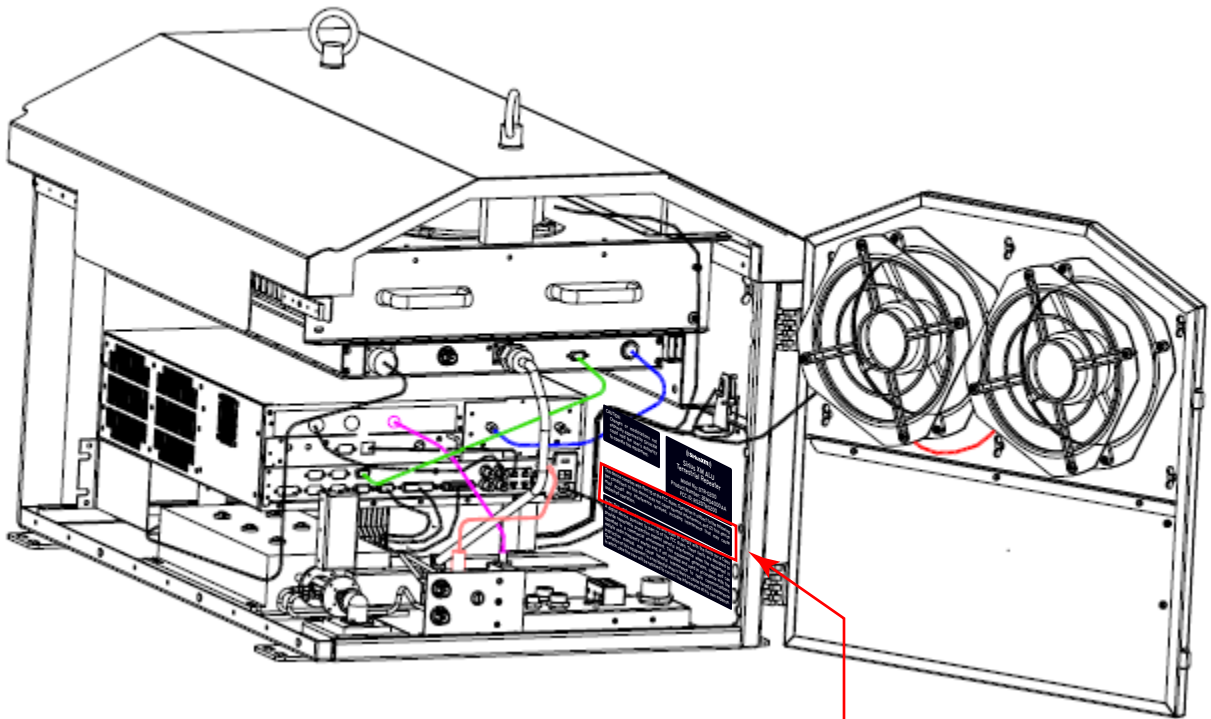
Notes:

- PMS Black 6 graphics printed on matte silver polyester

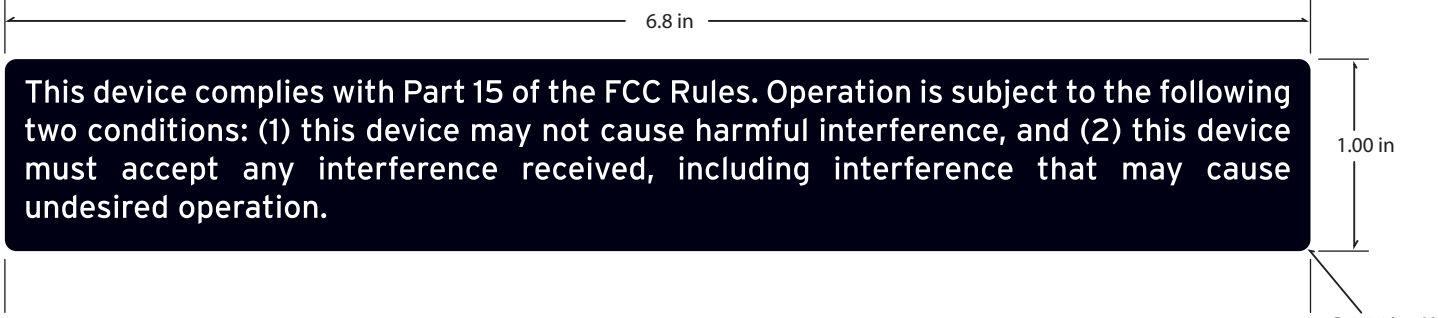
Sirius XM ALU Terrestrial Repeater - FCC ID



PMS Black 6 C



REFERENCE



ARTWORK

Notes:

- PMS Black 6 graphics printed on matte silver polyester

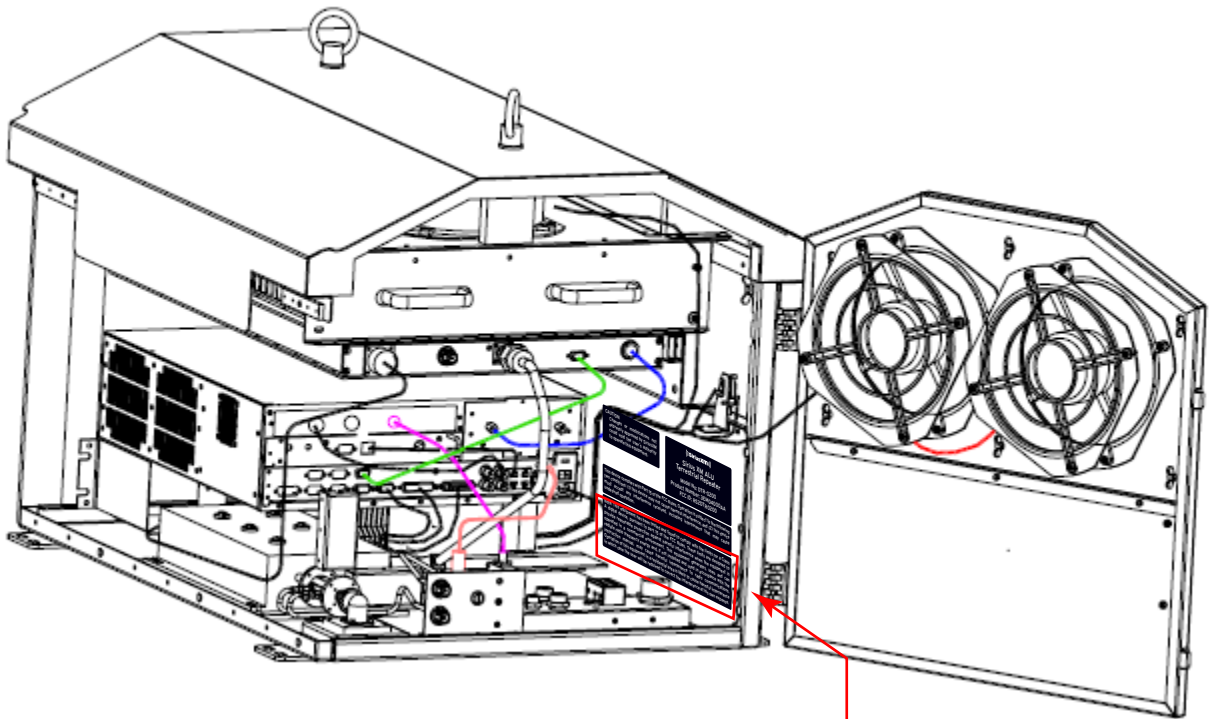
Sirius XM ALU Terrestrial Repeater - FCC compliance



Rev. 3
12.2.2013



PMS Black 6 C



REFERENCE

6.8 in

Note: This equipment has been tested and found to comply with the limits for a Class A digital device, pursuant to Part 15 of the FCC Rules. These limits are designed to provide reasonable protection against harmful interference when the equipment is operated in a commercial environment. This equipment generates, uses, and can radiate radio frequency energy and, if not installed and used in accordance with the instruction manual, may cause harmful interference to radio communications. Operation of this equipment in a residential area is likely to cause harmful interference in which case the user will be required to correct the interference at his own expense.

1.80 in

R 0.06 in 4X

ARTWORK

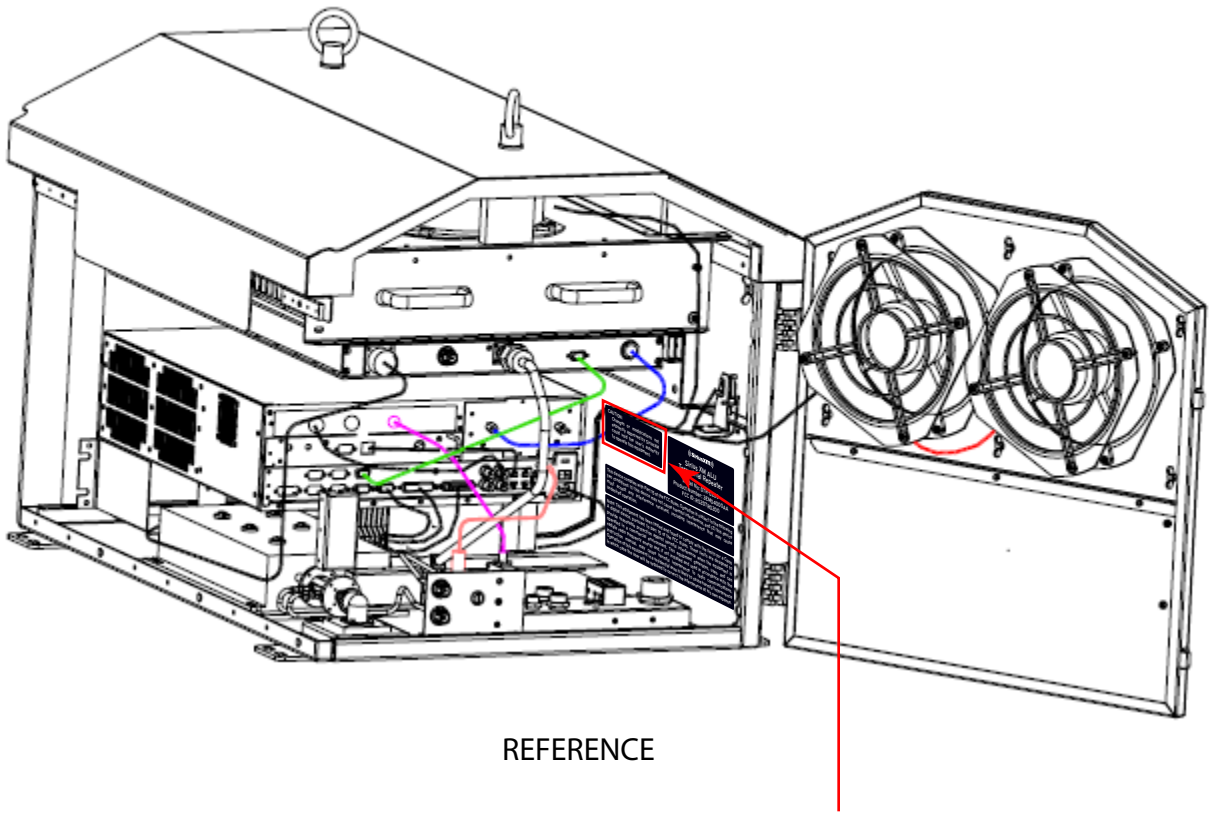
Notes:

- PMS Black 6 graphics printed on matte silver polyester

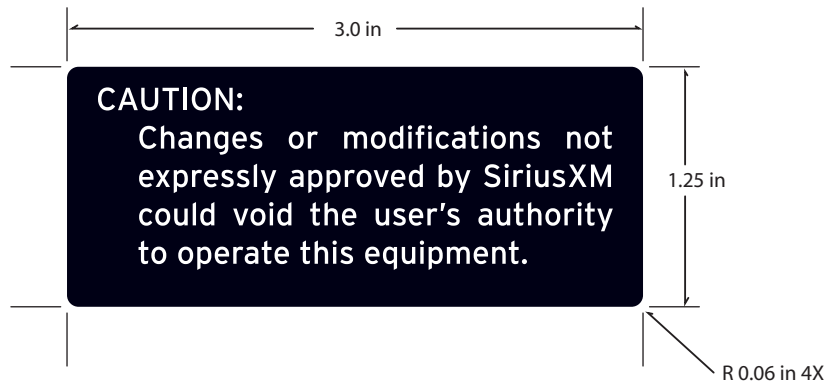
Sirius XM ALU Terrestrial Repeater - Note



PMS Black 6 C



REFERENCE



ARTWORK

Notes:

- PMS Black 6 graphics printed on matte silver polyester

Sirius XM ALU Terrestrial Repeater - CAUTION