



Product User Manual
For
802.11b/g MIMO Mini-PCI Card

(Ralink Solution)

Model Number: WMP-N07

Revision: 1.0



Revision History

Rev.	Date	Author	Reason for Changes
1.0	Nov 23, 2006	Roy Tsai	<ul style="list-style-type: none">• New released



Contents

1.0 SCOPE	5
1.1 DOCUMENT	5
1.2 PRODUCT FEATURES.....	5
2.0 REQUIREMENTS	5
2.1 FUNCTIONAL BLOCK DIAGRAM.....	5
2.2 GENERAL REQUIREMENTS	6
2.2.1 IEEE 802.11b Section	6
2.2.2 IEEE 802.11g Section	6
2.2.3 High Throughput Section (HT Mode)	7
2.2.4 General Section.....	7
2.3 SOFTWARE REQUIREMENTS	8
2.3.1 Information.....	8
2.3.2 Configuration	8
2.3.3 Security.....	8
2.4 MECHANICAL REQUIREMENTS	9
2.5 COMPATIBILITY REQUIREMENTS	9
2.6 REQUIREMENTS OF RELIABILITY, MAINTAINABILITY AND QUALITY	9
2.7 ENVIRONMENTAL REQUIREMENTS.....	9



1.0 Scope

1.1 Document

This document is to specify the product requirements for **802.11b/g MIMOMini-PCI Card**. This Mini-PCI Card is based on Ralink RT2800 chipset that complied with 802.11n draft 1.0 standard from 2.4~2.5GHz, and it can be used to provide up to 11Mbps for IEEE 802.11b and 54Mbps for 2.4GHz IEEE 802.11g to connect your wireless LAN.

With seamless roaming, fully interoperability and advanced security with WEP standard, **802.11b/g MIMOMini-PCI Card** offers absolute interoperability with different vendors' 802.11b/g MIMO Access Points through the wireless LAN.

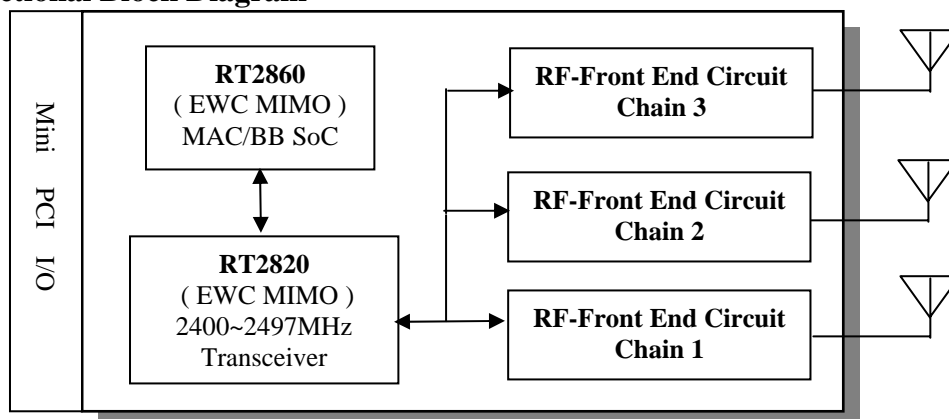
1.2 Product Features

- Compatible with IEEE 802.11b high rate standard to provide wireless 11Mbps data rate
- Compatible with IEEE 802.11g higher speed standard to provide wireless 54Mbps data rate
- Operation at 2.4 ~ 2.5GHz frequency band to meet worldwide regulations
- Dynamic data rate scaling at 6, 9, 12, 18, 24, 36, 48, 54 for 802.11g
- Dynamic data rate scaling at 1, 2, 5.5, and 11Mbps for IEEE 802.11b
- Compatible with IEEE 802.11n draft 1.0 higher speed standard in High Throughput mode from MCS-0 to MCS-15. The HT data rate refers to Appendix A.
- Maximum reliability, throughput and connectivity with automatic data rate switching
- Supports wireless data encryption with 64/128/152-bit WEP for security
- Supports infrastructure networks via Access Point and ad-hoc network via peer-to-peer communication
- Supports WPA and AES enhanced security
- Supports VLAN tagging
- Friendly user configuration and utilities
- Drivers support Windows 98SE, ME, 2K, and XP
- Supports Mini-PCI Type IIIB form factor

2.0 Requirements

The following sections identify the detailed requirements of the **802.11g Mini-PCI Card**.

2.1 Functional Block Diagram





2.2 General Requirements

2.2.1 IEEE 802.11b Section

#	Feature	Detailed Description
2.2.1.1	Standard	<ul style="list-style-type: none"> IEEE 802.11b
2.2.1.2	Radio and Modulation Schemes	<ul style="list-style-type: none"> DQPSK, DBPSK, DSSS, and CCK
2.2.1.3	Operating Frequency	<ul style="list-style-type: none"> 2400 ~ 2497MHz ISM band
2.2.1.4	Channel Numbers	<ul style="list-style-type: none"> 11 channels for United States 13 channels for Europe Countries 14 channels for Japan
2.2.1.5	Data Rate	<ul style="list-style-type: none"> 11, 5.5, 2, and 1Mbps
2.2.1.6	Media Access Protocol	<ul style="list-style-type: none"> CSMA/CA with ACK
2.2.1.7	Transmitter Output Power	<ul style="list-style-type: none"> Typical 18dBm (+2dB) at 11, 5.5, 2, and 1Mbps
2.2.1.8	Receiver Sensitivity	<ul style="list-style-type: none"> Typical -84dBm for 11Mbps @ 8% PER Typical -90dBm for 2Mbps @ 8% PER

2.2.2 IEEE 802.11g Section

#	Feature	Detailed Description
2.2.2.1	Standard	<ul style="list-style-type: none"> IEEE 802.11g
2.2.2.2	Radio and Modulation Schemes	<ul style="list-style-type: none"> BPSK, QPSK, 16QAM, 64QAM, and OFDM
2.2.2.3	Operating Frequency	<ul style="list-style-type: none"> 2400 ~ 2483.5MHz ISM band
2.2.2.4	Channel Numbers	<ul style="list-style-type: none"> 11 channels for United States 13 channels for Europe Countries 13 channels for Japan
2.2.2.5	Data Rate	<ul style="list-style-type: none"> 6,9,12,18,24,36,48,54Mbps
2.2.2.6	Media Access Protocol	<ul style="list-style-type: none"> CSMA/CA with ACK
2.2.2.7	Transmitter Output Power	<ul style="list-style-type: none"> Typical RF Output Power at each RF chain, Data Rate and at room Temp. 25degree C (tolerance \pm 2dB) 17dBm at 6~36 Mbps 16dBm at 48 Mbps 15dBm at 54 Mbps
2.2.2.8	Receiver Sensitivity	<ul style="list-style-type: none"> Typical Sensitivity at Which Frame (1000-byte PDUs) Error Rate = 10% -86dBm at 6Mbps -86dBm at 9Mbps -84dBm at 12Mbps -82dBm at 18Mbps -78dBm at 24Mbps -75dBm at 36Mbps -71dBm at 48Mbps -70dBm at 54Mbps



2.2.3 High Throughput Section (HT Mode)

#	Feature	Detailed Description
2.2.2.1	Standard	<ul style="list-style-type: none"> IEEE 802.11n draft 1.0
2.2.2.2	Radio and Modulation Type	<ul style="list-style-type: none"> BPSK, QPSK, 16QAM, 64QAM with OFDM
2.2.2.3	Operating Frequency	<ul style="list-style-type: none"> 2400 ~ 2483.5MHz ISM band
2.2.2.4	Channel Numbers	<ul style="list-style-type: none"> 11 channels for United States 13 channels for Europe Countries 13 channels for Japan
2.2.2.5	Data Rate	<ul style="list-style-type: none"> From MCS – 0 to MCS –15 as shown in Appendix A
2.2.2.6	Media Access Protocol	<ul style="list-style-type: none"> CSMA/CA with ACK
2.2.2.7	Transmitter Output Power	<ul style="list-style-type: none"> Typical RF Output Power at each RF chain, Data Rate and at room Temp. 25degree C (tolerance \pm 2dB) 19dBm at MCS - 0 ~ 4, MCS 8 ~ 12 17dBm at MCS - 5, 13 13dBm at MCS - 6, 14 6dBm at MCS - 7, 15
2.2.1.8	Receiver Sensitivity	<ul style="list-style-type: none"> Typical Sensitivity at Which Frame (1000-byte PDUs) Error Rate = 10% -88dBm at BPSK, coding rate 1/2 (MCS-0) -84dBm at QPSK, coding rate 1/2 (MCS-1) -81dBm at QPSK, coding rate 3/4 (MCS-2) -78dBm at 16-QAM, coding rate 1/2 (MCS-3) -75dBm at 16-QAM, coding rate 3/4 (MCS-4) -70dBm at 64-QAM, coding rate 2/3 (MCS-5) -69dBm at 64-QAM, coding rate 3/4 (MCS-6) -68dBm at 64-QAM, coding rate 5/6 (MCS-7)

2.2.4 General Section

#	Feature	Detailed Description
2.2.3.1	Antenna Connector	<ul style="list-style-type: none"> Three UFL antenna connectors
2.2.3.2	Operating Voltage	<ul style="list-style-type: none"> 3.3VDC +/- 10%
2.2.3.3	Current Consumption	<ul style="list-style-type: none"> 800mA at continuous transmit mode (2 Tx chains on) 450mA at continuous receive mode (3 Rx chains on)
2.2.3.4	Form Factor and Interface	<ul style="list-style-type: none"> Mini-PCI Type IIIB form factor
2.2.3.5	LEDs	<ul style="list-style-type: none"> External LED function supported



2.3 Software Requirements

The Configuration Software supports Microsoft Windows 98SE, ME, 2000, and XP. This configuration software includes the following functions:

- **Information**
Information allows you to monitor network status.
- **Configuration**
Configuration allows you to configure parameters for wireless networking.
- **Security**
Supports enhanced security WEP, 802.1x,WPA.

2.3.1 Information

#	Feature	Detailed Description
2.3.1.1	General Information	<ul style="list-style-type: none"> • General Information shows the name of Wireless Adapter, Adapter MAC Address, Regulatory Domain, Firmware Version, and Utility Version.
2.3.1.2	Current Link Information	<ul style="list-style-type: none"> • Current Link Information shows the Current Setting ESSID, Channel Number, Associated BSSID, Network Type (infrastructure or Ad-hoc network), WEP Status (enable or disable), Link Status (Connect or Disconnect), 802.11g Transmit Speed (6, 9, 12, 18, 24, 36, 48, 54Mbps), 802.11b Transmit Speed (1, 2, 5.5, 11Mbps), Signal Strength, and Link Quality.
2.3.1.3	Site survey	<ul style="list-style-type: none"> • To search the neighboring access points and display the information of all access points.

2.3.2 Configuration

#	Feature	Detailed Description
2.3.2.1	ESS ID	<ul style="list-style-type: none"> • Input an SSID number if the roaming feature is enabled • Supports for ASCII printable characters.
2.3.2.2	Network Type	<ul style="list-style-type: none"> • Ad-hoc Mode and 802.11 Ad-hoc Mode for network configurations that do not have any access points • Infrastructure Mode for network configurations with access points
2.3.2.3	Power Save	<ul style="list-style-type: none"> • Extend the battery life of clients by allowing the client to sleep for short periods of time while the Access Point buffers the messages.
2.3.2.4	RTS Threshold	<ul style="list-style-type: none"> • Set the number of bytes used for fragmentation boundary for messages
2.3.2.5	Fragment Threshold	<ul style="list-style-type: none"> • Set the number of bytes used for RTS/CTS boundary
2.3.2.6	Transmission Speed	<ul style="list-style-type: none"> • This indicates the communication rates. Select appropriate transmission speed to match your wireless LAN settings
2.3.2.7	Roaming	<ul style="list-style-type: none"> • Support Automatic or Manual Rescan to associate with access point.

2.3.3 Security

#	Feature	Detailed Description
2.3.3.1	Encryption	<ul style="list-style-type: none"> • RC4 encryption algorithm • Support 64/128/152 bit WEP encryption • Support open system and shared key authentication



#	Feature	Detailed Description
2.3.3.2	WEP Management	<ul style="list-style-type: none"> Four WEP keys can be selected STA with WEP off will never associate any AP with WEP enabled WEP Key Format: Option for Hex format
2.3.3.3	802.1x	<ul style="list-style-type: none"> Support EAP-TLS, EAP-TTLS, and EAP-PEAP
2.3.3.4	WPA	<ul style="list-style-type: none"> Support WPA-PSK and WPA-EAP Support Cipher Mode AES and TKIP

2.4 Mechanical Requirements

#	Feature	Detailed Description
2.4.1	Length	<ul style="list-style-type: none"> 50.8mm
2.4.2	Width	<ul style="list-style-type: none"> 59.59mm
2.4.3	Height	<ul style="list-style-type: none"> 0.99mm

2.5 Compatibility Requirements

This device passes the following compatibility requirements.

#	Feature	Detailed Description
2.5.1	Wi-Fi	<ul style="list-style-type: none"> Meet Wi-Fi certification for IEEE 802.11 product
2.5.2	WHQL	<ul style="list-style-type: none"> Meet applicable WHQL certification requirements
2.5.3	Physical Layer and Functionality	<ul style="list-style-type: none"> Meet ALPHA Engineering Test Plan and Test Report

2.6 Requirements of Reliability, Maintainability and Quality

#	Feature	Detailed Description
2.6.1	MTBF	<ul style="list-style-type: none"> Mean Time Between Failure > 30,000 hours
2.6.2	Maintainability	<ul style="list-style-type: none"> There is no scheduled preventive maintenance required
2.6.3	Quality	<ul style="list-style-type: none"> The product quality is followed-up by ALPHA factory quality control system

2.7 Environmental Requirements

#	Feature	Detailed Description
2.7.1	Operating Temperature Conditions	<ul style="list-style-type: none"> The product is capable of continuous reliable operation when operating in ambient temperature of 0 to +55 .
2.7.2	Non-Operating Temperature Conditions	<ul style="list-style-type: none"> Neither subassemblies is damaged nor the operational performance is degraded when restored to the operating temperature after exposing to storage temperature in the range of -20 to +75 .
2.7.3	Operating Humidity conditions	<ul style="list-style-type: none"> The product is capable of continuous reliable operation when subjected to relative humidity in the range of 10% and 90% non-condensing.
2.7.4	Non-Operating Humidity Conditions	<ul style="list-style-type: none"> The product is not damaged nor the performance is degraded after exposure to relative humidity ranging from 5% to 95% non-condensing

FCC statement in User's Manual (for class B)

"Federal Communications Commission (FCC) Statement

This Equipment has been tested and found to comply with the limits for a class B digital device, pursuant to Part 15 of the FCC rules. These limits are designed to provide reasonable protection against harmful interference in a residential installation. This equipment generates, uses and can radiate radio frequency energy and, if not installed and used in accordance with the instructions, may cause harmful interference to radio communications. However, there is no guarantee that interference will not occur in a particular installation. If this equipment does cause harmful interference to radio or television reception, which can be determined by turning the equipment off and on, the user is encouraged to try to correct the interference by one or more of the following measures:

- Reorient or relocate the receiving antenna.**
- Increase the separation between the equipment and receiver.**
- Connect the equipment into an outlet on a circuit different from that to which the receiver is connected.**
- Consult the dealer or an experienced radio/TV technician for help.**

FCC Statements:

1. This device complies with Part 15 of the FCC rules. Operation is subject to the following two conditions:
 - (1) This device may not cause harmful interference, and
 - (2) This device must accept any interference received, including interference that may cause undesired operation.
2. This device and its antenna(s) must not be co-located or operating in conjunction with any other antenna or transmitter.
3. Changes or modifications to this unit not expressly approved by the party responsible for compliance could void the user authority to operate the equipment.
4. This compliance to FCC radiation exposure limits for an uncontrolled environment, and minimum of 20 cm separation between antenna and body.