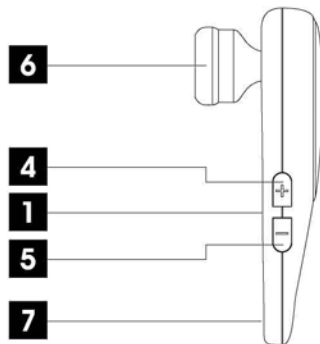




Model No.: BTH-05
Quick User Guide

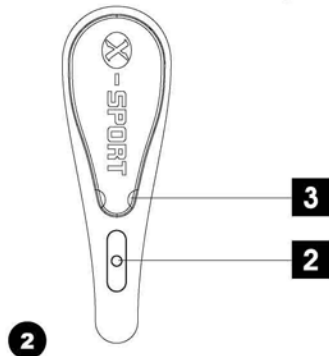
● Package

- Bluetooth Headset
- Power Bank
- User manual
- Belt Clip
- Necklace



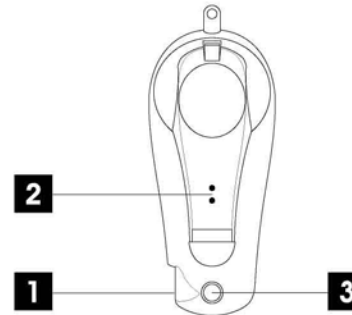
● Headset Overview

1. Charging point
2. Call handling button
3. Indicator light
4. Volume up
5. Volume down
6. Speaker
7. Microphone



● Power Bank Overview

1. NOKIA Charger port
2. Charging point
3. Indicator light



● Charging Your BTH-05

The BTH-05 comes with two built-in rechargeable Li-ion batteries, one is in headset and another is in power bank. We recommend that you must charge both batteries until the indicator light turns off before using the headset at the first time.

Charging headset

When the headset power is on if you find the headset indicator led flashes red, please charge your headset according to the following steps.

BTH-05 User Manual

● Introduce

Imagine something that is practically weightless, something that is so small, and something that can give you piece of mind all built into one. Do not imagine anymore, experience the future today with this innovative breakthrough, the BTH-05 Bluetooth Headset. Crafted for the most elite and discriminating user who demands crisp clear sound that comes in the smallest and lightest package in the world, get ready for this headset because it will take your breath away.

This is no ordinary headset, the BTH-05 is intelligently designed to fit snugly and comfortably in your ear and while not in use, simply place the patented headset into another patented necklace charger (included) that will enable you to talk up to 15 hours. The power band not only charges the headset while not in use, but it serves as a storage cradle that is at the same time sophisticatedly designed to look like a jewelry.

1

1. Put headset into power bank then the blue led on power bank will illuminate and headset starts to charge.
2. During charging, the indicator light shows a steady blue light and turn off when the battery is fully charged.

Charging power bank

Once you fully charge your headset about 5~6 times or whenever you want to charge it, please charge your power bank according to the following steps.

1. Please plug the Nokia adaptor into the charger port.
2. After the adaptor is plugged into the charger port, the power bank indicator led will display a steady green light and turn off after the battery is fully charged.

3

4

● Getting Started

Before you use your BTH-05, you must pair it with a device, for example, a Bluetooth mobile phone. Mobile and headset can communicate as they are returned on and within range of the phone up to 10 m (30 ft) outdoors or up to 5 m (15 ft) indoors with no solid objects in between.

Pairing

3. Preparing your phone according to the phone's user manual on adding a Bluetooth device.
4. When the headset is off, press and hold the call handling button for up to 10 seconds until the indicator light on the headset flashes blue and red. Then headset is in the pairing mode.
5. Following the phone's user manual, entering the headset PIN code: 1234.
6. When pairing has been completed, the headset indicator light flashes blue.

5

Audio Transfer

During a call, you can press and hold the call handling button until hearing a beep tone to transfer the sound to mobile phone. If the headset is turned on after a call has been initiated or the sound is on the mobile phone, you can transfer the sound to the headset by pressing the call handling button once.

Please Note

The warranty will be invalid, if fail to follow the operation manual.
Federal Communications Commission (FCC) Statement:

15.21

You are caution that changes or modifications not expressly approved by the part responsible for compliance could void the user's authority to operate the equipment.

8

Note: You only need to add the headset to the phone once. If you want to use the headset with a new phone, you need to add it to that phone.

Turning on / off Headset

To turn on headset, please press and hold the call handling button until you hear a short low tone. The headset indicator light flashes blue.

To turn off headset, please press and hold the call handling button until you hear a short high tone followed by a short low tone. The headset indicator light switches off.

Answering, Rejecting and Hang-up

You can make and answer the calls using the buttons on the headset. When you hear the ring from headset, you just need to press the call handling button once to answer the calls and if you want to hang up this call, you also press the call handling button once to hang up. Due to the reason that phone functionality is still available when the headset is connected, if you use the keys on the phone to answer the

6

15.1.5 (b)

This equipment has been tested and found to comply with the limits for a Class B digital device, pursuant to part 15 of the FCC rules. These limits are designed to provide reasonable protection against harmful interference in a residential installation. This equipment generates uses and can radiate radio frequency energy and if not installed and used in accordance with the instruction may cause harmful interference to radio communications. However, there is no guarantee that interference will not occur in a particular installation. If this equipment does not cause harmful interference to radio or television reception which can be determined by turning the equipment off and on, the user is encouraged to try to correct the interference by one or more of the following measures:

- Reorient or relocate the receiving antenna.
- Increase the separation between the equipment and receiver.
Connect the equipment into an outlet on a circuit different from that to which the receiver is connected.
- Consult the dealer or an experience radio/TV technician for help.

9

calls, you will have to take this call from the phone rather than the headset. Besides, you can reject the incoming call by press and hold the call handling button about 2 to 3 seconds.

Adjusting The Volume

During taking, you can adjust the volume from the buttons of headset.

- To increase the volume, press "+".
- To decrease the volume, press "-".

Note: For safety and comfortable reasons, we recommend that do not tune the volume to the maximum level.

Using Voice Dialing

Please make sure the phone and the headset are on and within range of each other. Press the call handling button about 1~2 seconds. During this time, you might hear the beep tone in the headset. After the beep, voice dial as you normally would. In order to use voice dialing, you must make sure your mobile phone supports this function.

7

You are cautioned that changes or modifications not expressly approved by the party responsible for compliance could void your authority to operate the equipment.

FCC RF Radiation Exposure Statement:

This Transmitter must not be co-located or operating in conjunction with any other antenna or transmitter.

Besides,

- This device may not cause interference and
- This device must accept any interference, including interference that may cause undesired operation of the device.

10