

BTM01 User Manual

Features

- Fully qualified Bluetooth® v2.1 + EDR specification
- Piconet and scatternet support
- Minimum external components
- UART to 4Mbaud
- SDIO (Bluetooth Type A)/CSPI interface
- Integrated CSR AuriStream® low-power codec for wide-band voice quality

General Description

BTM01 is a single-chip radio and baseband Module for Bluetooth 2.4GHz systems including EDR to 3Mbps. It is based on CSR BlueCore6-ROM QFN Automotive chip. It provides a fully compliant Bluetooth v2.1 + EDR specification system for data and voice communications.

BTM01 includes AuriStream, which offers significant power reduction over the CVSD-based system when used at both ends of the link.

Applications

- Automotive

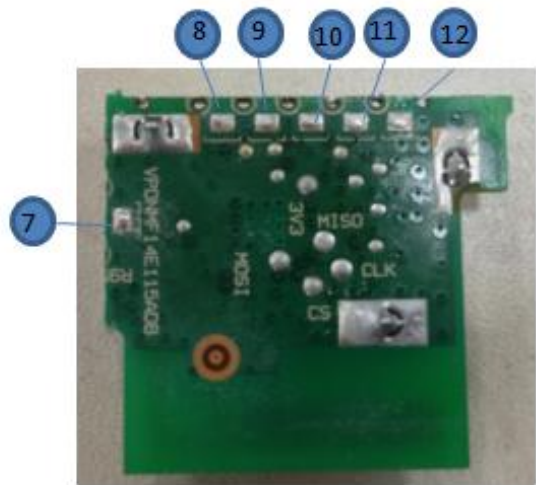
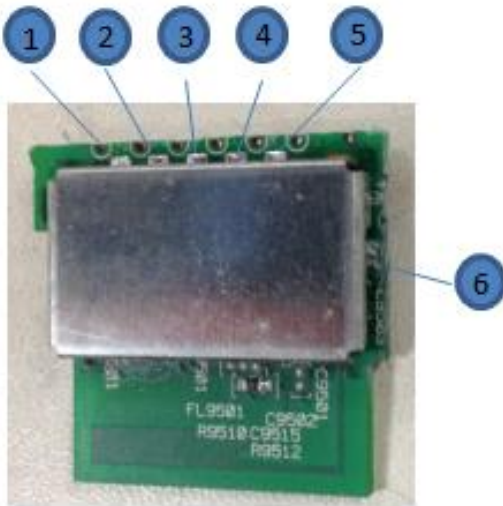
The device incorporates auto-calibration and BIST routines to simplify development, type approval and production test. All hardware and device firmware is fully compliant with the Bluetooth v2.1 + EDR specification.

Electrical parameters

VCC=3.3+/-0.3V

Operation temperature:-30 to 75 degree

Device Pinout



1	BT_RST
2	PCM_OUT
3	PCM_SYNC
4	BT_RX
5	BT_TX
6	3.3V
7	GND
8	BT_RTS
9	BT_CTS
10	PCM_CLK
11	PCM_IN
12	GND

EC DECLARATION OF CONFORMITY

We Yanfeng Visteon Automotive Electronics Co.,Ltd. declared that following designated product:

Product Name: Bluetooth Module of R0-13

Model No: BTM01

Complies with the essential protection requirements of the Radio and Telecommunication Terminal Equipment Directive (EC Directive 1999/5/EC) and the Electromagnetic Compatibility Directive(2004/108/EC).

This declaration applies to all specimens manufactured identical to the samples submitted for testing/evaluation. Assessment of compliance of the product with the requirements relating to the Radio and Telecommunication Terminal Equipment Directive (EC Directive 1999/5/EC) and the Electromagnetic Compatibility Directive(2004/108/EC) was performed by British Approvals Board for Telecommunications (BABT) (Notified Body No.0168), based on the following standards:

Safety:

EN 60950-1:2006+ A1:2010+A11:2009+A12:2011

IEC 60950-1:2005+A1:2009

EN 62479:2010

Radio:

ETSI EN 300 328 v1.7.1

EMC:

ETSI EN 301 489-1 v1.9.2

ETSI EN 301 489-17 v2.2.1

NOTE: This equipment has been tested and found to comply with the limits for a ClassB digital device, pursuant to part 15 of the FCC Rules.

These limits are designed to provide reasonable protection against harmful interference in a residential installation.

This equipment generate, uses and can radiate radio frequency energy and, if not installed and used in accordance with the instructions, may cause harmful interference to radio communications. However, there is no guarantee that interference will not occur in a particular installation. If this equipment does cause harmful interference to radio or television reception, which can be determined by turning the equipment off and on, the user is encouraged to try to correct the interference by one or more of the following measures:

- Reorient or relocate the receiving antenna.
- Increase the separation between the equipment and receiver.
- Connect the equipment into an outlet on a circuit different from that to which the receiver is connected.
- Consult the dealer or an experienced radio/TV technician for help.

This device complies with part 15 of the FCC Rules. Operation is subject to the following two conditions:

- (1) This device may not cause harmful interference, and
- (2) This device must accept any interference received, including interference that may cause undesired operation.

Caution: the user that changes or modifications not expressly approved by the party responsible for compliance could void the user's authority to operate the equipment.
Caution: the user that changes or modifications not expressly approved by the party responsible for compliance could void the user's authority to operate the equipment.