

# 承 認 書

## APPROVAL SHEET

CUSTOMER: 上尚科技股份有限公司

CUSTOMER MODEL NO.: 59902111G

JOYMAX MODEL NO.: IWX-1511RSXX-1042

DESCRIPTION: 2.4GHz #1511 1/2  $\lambda$ , Collinear  
Antenna, Swivel type

REV: A

DATE: 2021/12/01

### Customer Approval

### Joymax Approval



 士誼科技事業股份有限公司  
JOYMAX ELECTRONICS CO., LTD.  
Tel:+886-3-4335698 Fax:+886-3-4337898  
E-mail:sevice@joymax.com.tw

桃園市中壢區中壢工業區東園二路5號  
No.5 Dong Yuan Rd.2,Jhongli industrial Park,  
Jhongli Dist,Tao Yuan,Taiwan,R.O.C.  
<http://www.joymax.com.tw>

## Index

<b>1. Specification &amp; Dimension</b>	-----	3
<b>2. Test Condition &amp; Report</b>		
2.1 V.S.W.R	-----	4
2.2 Pattern	-----	5
<b>3. Package</b>	-----	7

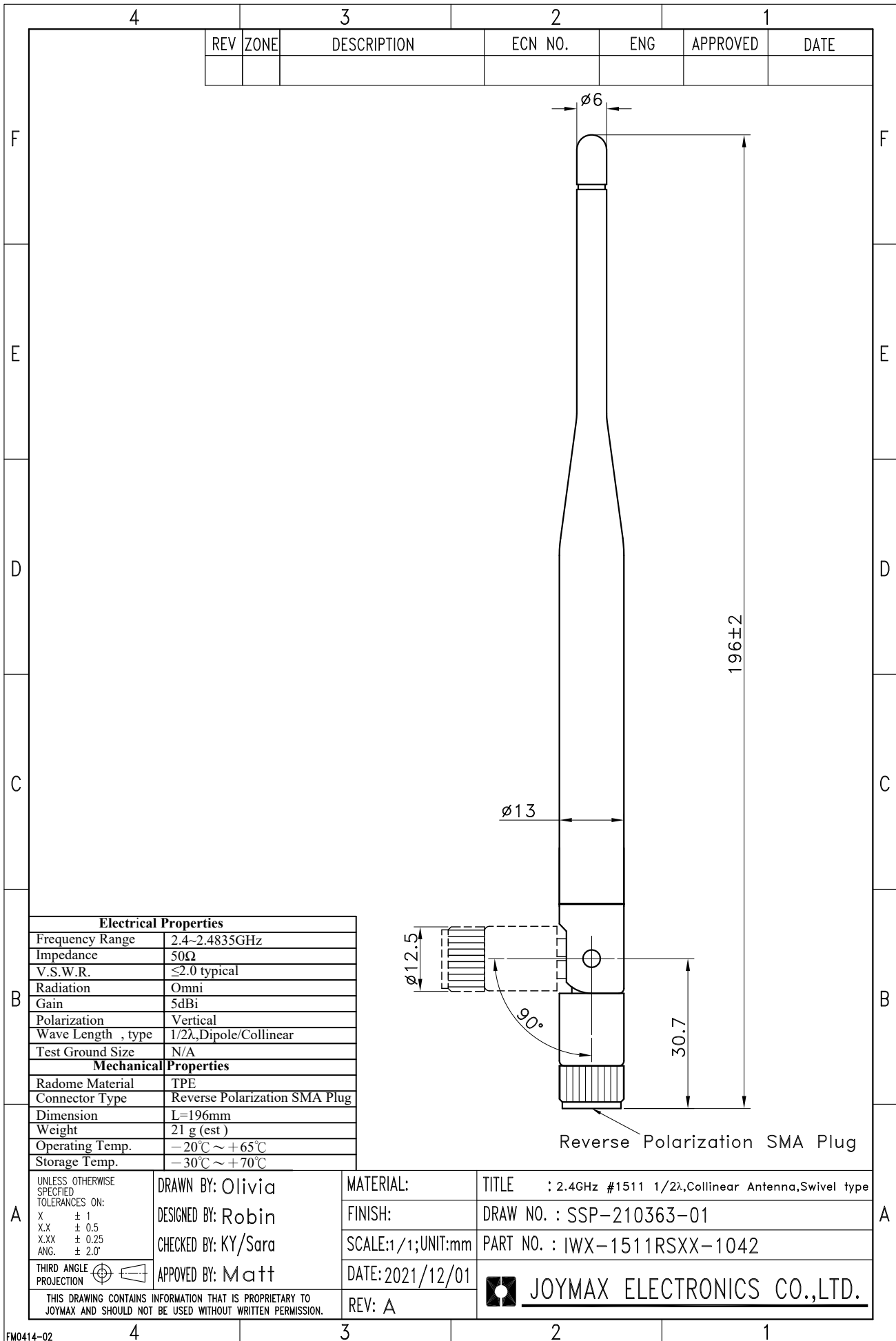
### Modification History:

Rev.	Date	Content
------	------	---------

---

A	2021/12/01	
---	------------	--

# 1. Specification & Dimension



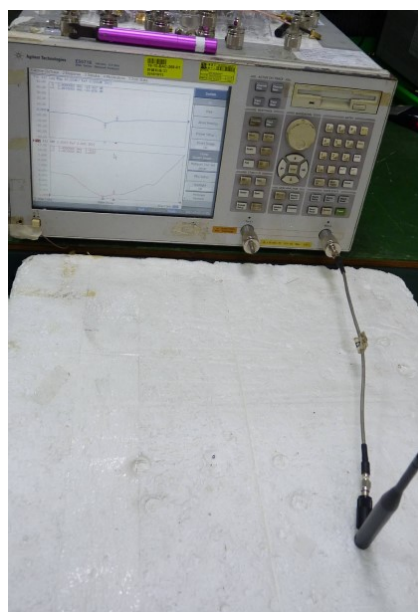
FM0414-02

## 2. Test Condition & Report

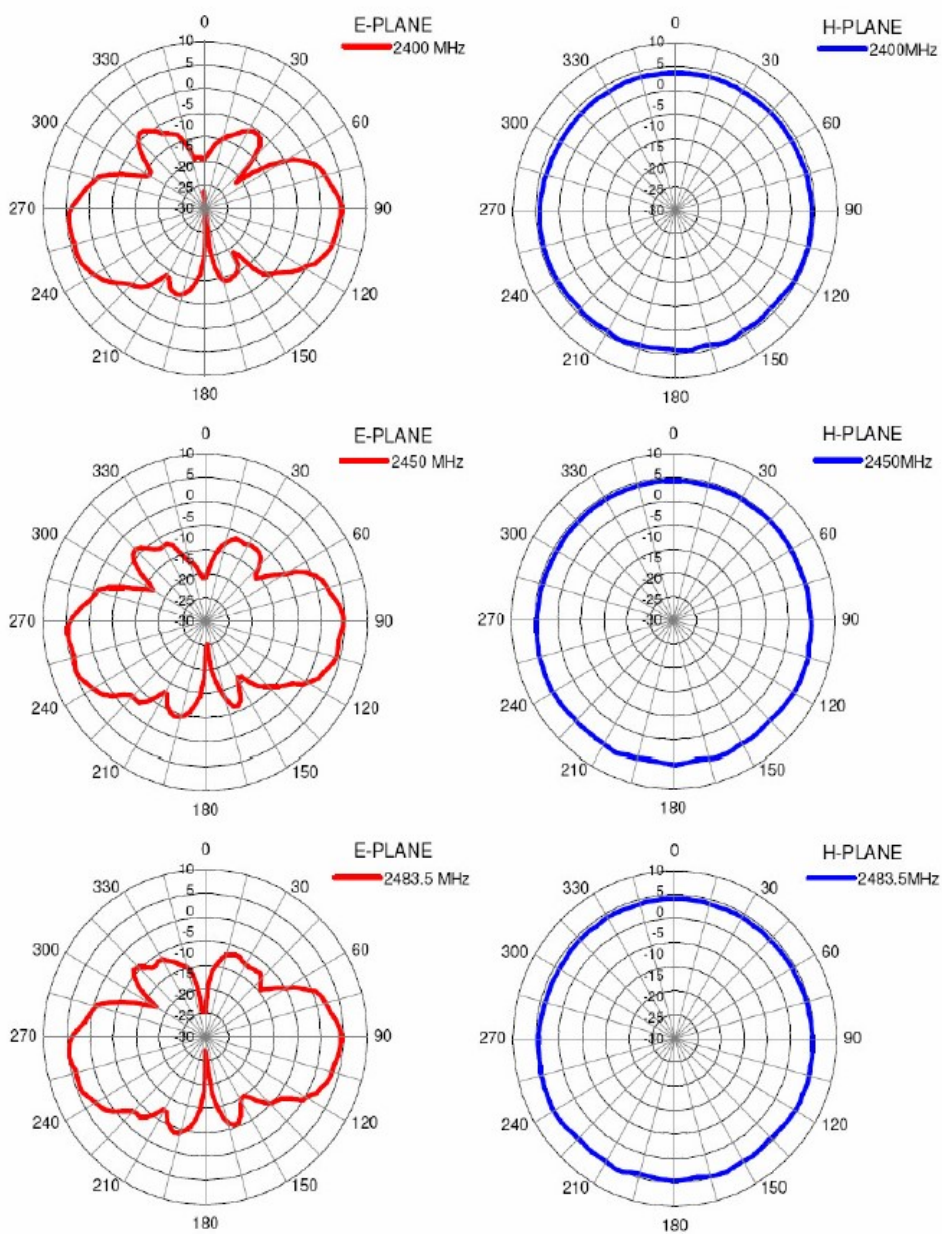
### 2.1 V.S.W.R



### Test Configuration



## 2.2 Pattern



**Peak Gain Table (dBi)**

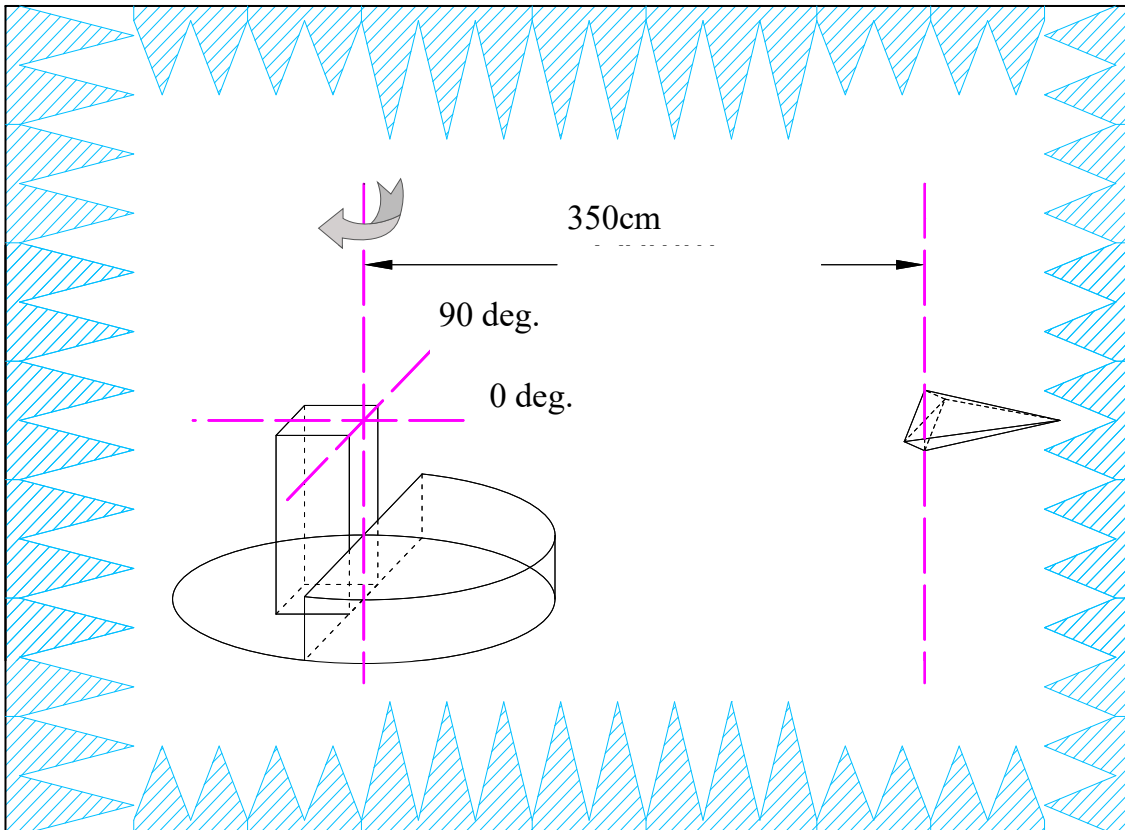
Frequency (MHz)	2400	2450	2483.5
E Plane	3.9	4.6	4.5
H Plane	3.7	4.0	3.9

## Pattern Test Equipment

Anechoic chamber: 100MHz~6GHz 8\*6\*6m (※ 1m Quiet zone at 800MHz)

Source Antenna: ETS-3164 Dual Polarized Horn

Network Analyzer: Agilent E5071B 100kHz~8.5GHz



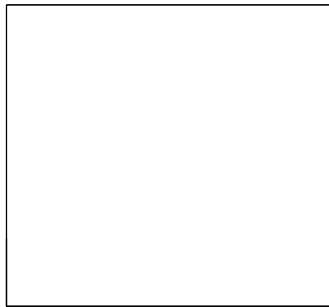
### 3. Package

---



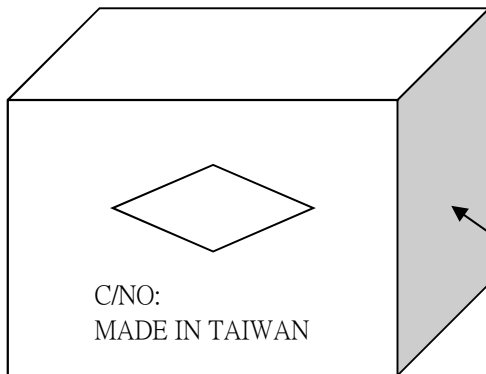
①

1pcs Antenna / 1 PE bag



②

50pcs Antenna / 1 PE bag



③

400pcs Antenna / 1 Carton

MODEL No.:	
Qty:	PCS
N.W:	PCS
G.W:	PCS

Packing q'ty is for reference only, adjust it based on production packing