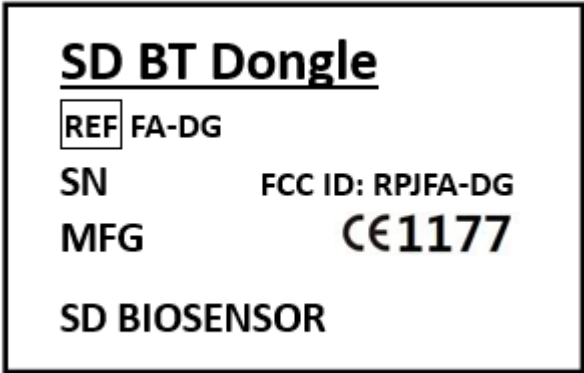
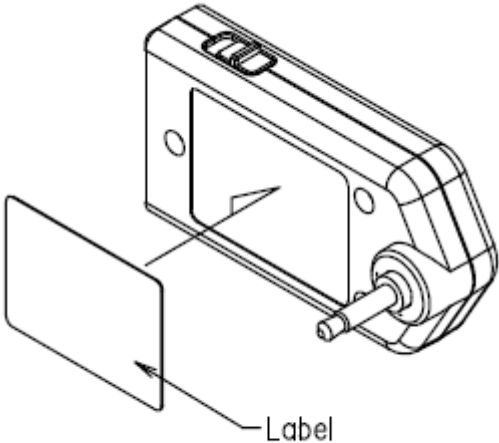


## SAMPLE LABEL & LOCATION

### LABELLING REQUIREMENTS

The Label shown shall be permanently affixed at a conspicuous location on the device and be readily visible to the user at the time of purchase



- The FCC label shown is representative of the label that will appear on the radio when in production. Other information may also be included on this label.
- The labeling area is so small that it is not practicable to place the statement specified under 15.19 statement request, the information required by this paragraph shall be placed in a prominent location in the user's manual.