

TEST REPORT

Report No.: BCTC2107037524-3E

Applicant: CHINA DRAGON TECHNOLOGY LIMITED

Product Name: WLAN 11a/b/g/n/ac SDIO3.0 1T1R + Bluetooth 5.0 module

Model/Type reference: CDW-47W3155-00

Tested Date: 2021-07-29 to 2021-08-23

Issued Date: 2021-08-23

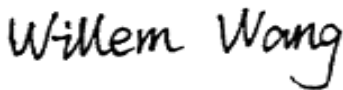
Shenzhen **BCTC** Testing Co., Ltd.



FCC ID: ROW-CDW47W3155

Product Name: WLAN 11a/b/g/n/ac SDIO3.0 1T1R + Bluetooth 5.0 module
Trademark: N/A
Model/Type reference: CDW-47W3155-00
Prepared For: CHINA DRAGON TECHNOLOGY LIMITED
Address: B4 Bidg.haosan No.1 Industry Park, Shajing street, B
Shenzhen China
Manufacturer: CHINA DRAGON TECHNOLOGY LIMITED
Address: B4 Bidg.haosan No.1 Industry Park, Shajing street, B
Shenzhen China
Prepared By: Shenzhen BCTC Testing Co., Ltd.
Address: 1-2/F., Building B, Pengzhou Industrial Park, No.158, Fuyuan
1st Road, Tangwei, Fuhai Subdistrict, Bao'an District,
Shenzhen, Guangdong, China
Sample Received Date: 2021-07-29
Sample tested Date: 2021-07-29 to 2021-08-23
Issue Date: 2021-08-23
Report No.: BCTC2107037524-3E
Test Standards: FCC Part15.247
ANSI C63.10-2013
Test Results: PASS
Remark: This is WIFI-2.4GHz band radio test report.

Tested by:



Willem Wang/Project Handler

Approved by:



Zero Zhou/Reviewer

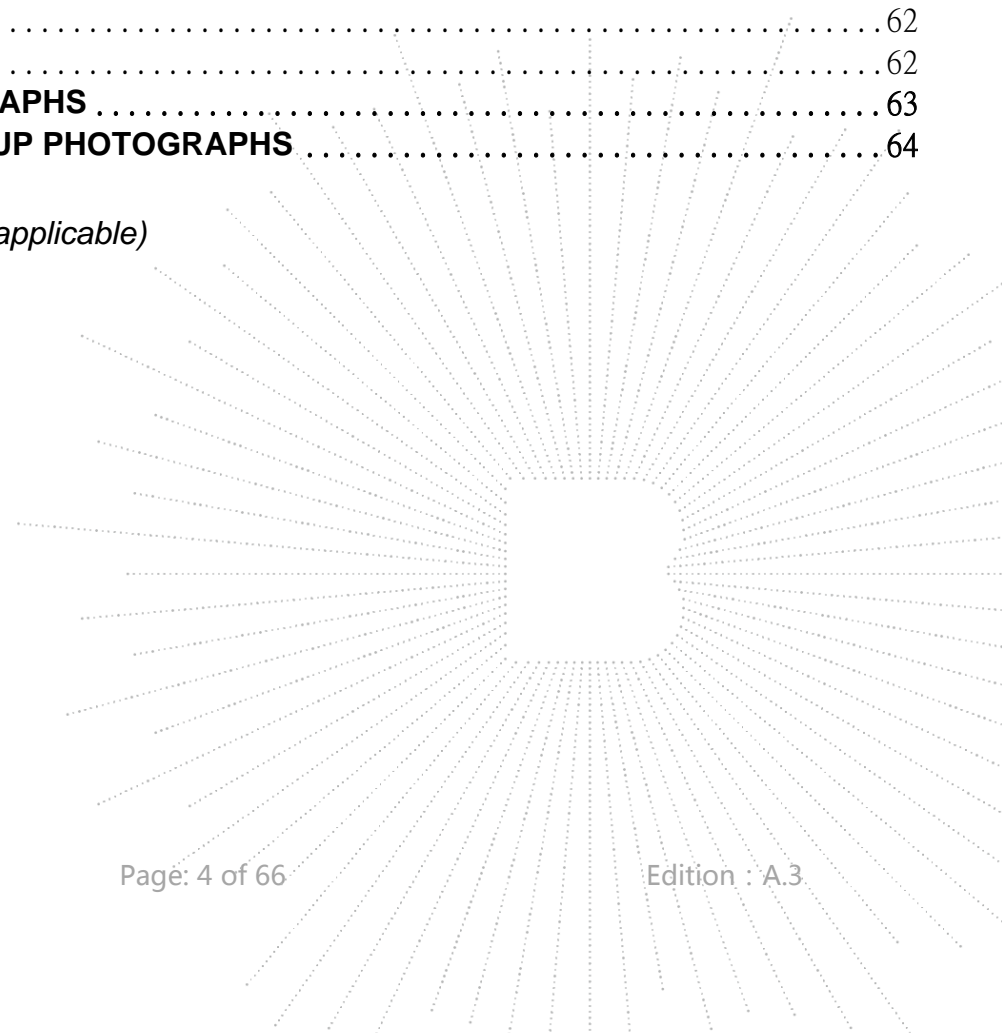
The test report is effective only with both signature and specialized stamp. This result(s) shown in this report refer only to the sample(s) tested. Without written approval of Shenzhen BCTC Testing Co., Ltd, this report can't be reproduced except in full. The tested sample(s) and the sample information are provided by the client.

TABLE OF CONTENT

Test Report Declaration	Page
1. VERSION	5
2. TEST SUMMARY	6
3. MEASUREMENT UNCERTAINTY	7
4. PRODUCT INFORMATION AND TEST SETUP	8
4.1 Product Information	8
4.2 Test Setup Configuration	8
4.3 Support Equipment	9
4.4 Channel List	9
4.5 Test Mode	10
4.6 table of parameters of text software setting	10
5. TEST FACILITY AND TEST INSTRUMENT USED	11
5.1 Test Facility	11
5.2 Test Instrument Used	11
6. CONDUCTED EMISSIONS	13
6.1 Block Diagram Of Test Setup	13
6.2 Limit	13
6.3 Test procedure	13
6.4 EUT operating Conditions	13
6.5 Test Result	14
7. RADIATED EMISSIONS	16
7.1 Block Diagram Of Test Setup	16
7.2 Limit	17
7.3 Test procedure	18
7.4 EUT operating Conditions	19
7.5 Test Result	20
8. RADIATED BAND EMISSION MEASUREMENT AND RESTRICTED BANDS OF OPERATION	27
8.1 Block Diagram Of Test Setup	27
8.2 Limit	27
8.3 Test procedure	28
8.4 EUT operating Conditions	28
8.5 Test Result	29
9. POWER SPECTRAL DENSITY TEST	31
9.1 Block Diagram Of Test Setup	31
9.2 Limit	31
9.3 Test procedure	31
9.4 EUT operating Conditions	31
9.5 Test Result	32
10. BANDWIDTH TEST	39

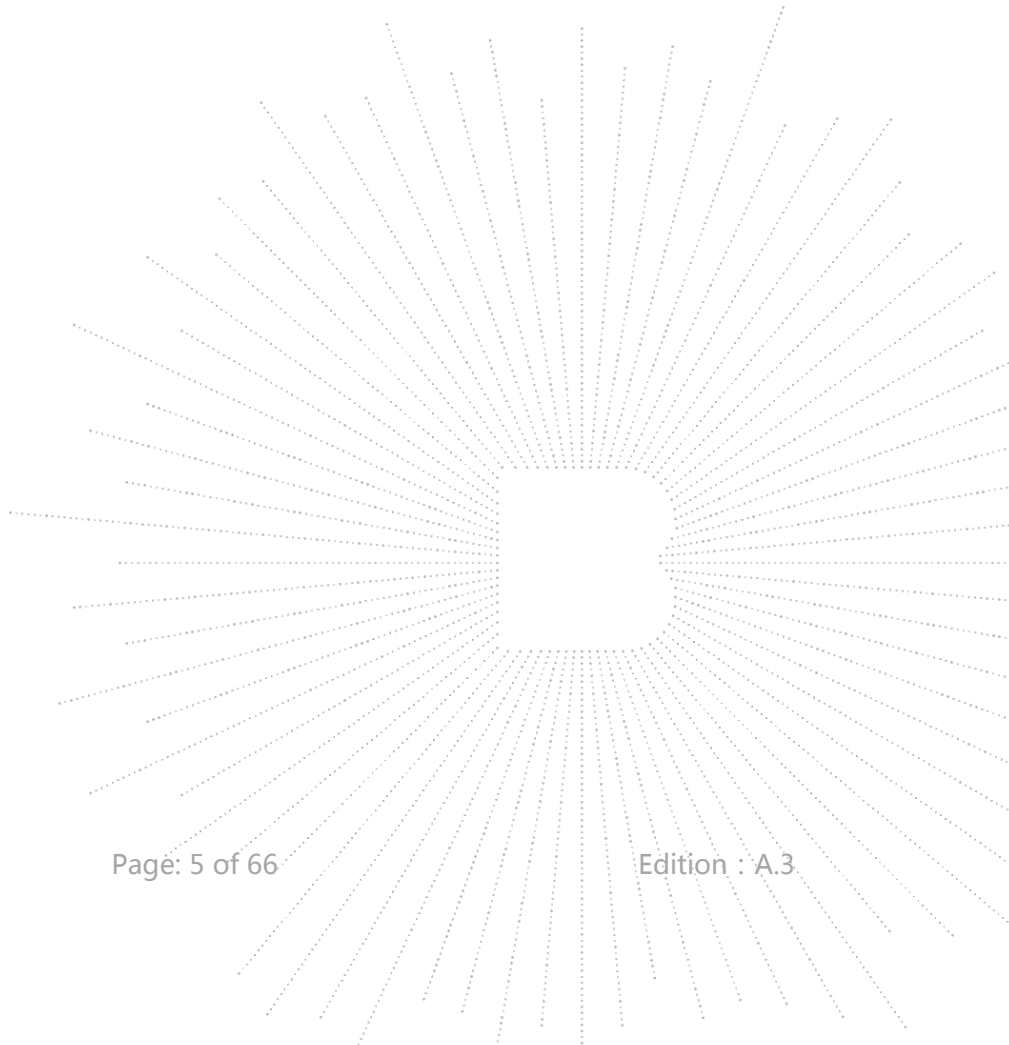
10.1	Block Diagram Of Test Setup	39
10.2	Limit	39
10.3	Test procedure	39
10.4	EUT operating Conditions	39
10.5	Test Result	40
11.	PEAK OUTPUT POWER TEST	48
11.1	Block Diagram Of Test Setup	48
11.2	Limit	48
11.3	Test procedure	48
11.4	EUT operating Conditions	48
11.5	Test Result	49
12.	100 KHZ BANDWIDTH OF FREQUENCY BAND EDGE	50
12.1	Block Diagram Of Test Setup	50
12.2	Limit	50
12.3	Test procedure	50
12.4	EUT operating Conditions	50
12.5	Test Result	51
13.	DUTY CYCLE OF TEST SIGNAL	59
13.1	Standard requirement	59
13.2	Formula	59
13.3	Test procedure	59
13.4	Test Result	59
14.	ANTENNA REQUIREMENT	62
14.1	Limit	62
14.1	Test Result	62
15.	EUT PHOTOGRAPHS	63
16.	EUT TEST SETUP PHOTOGRAPHS	64

(Note: N/A means not applicable)



1. VERSION

Report No.	Issue Date	Description	Approved
BCTC2107037524-3E	2021-08-23	Original	Valid



2. TEST SUMMARY

The Product has been tested according to the following specifications:

No.	Test Parameter	Clause No	Results
1	Conducted Emission	15.207	PASS
2	6dB Bandwidth	15.247 (a)(2)	PASS
3	Peak Output Power	15.247 (b)	PASS
4	Radiated Spurious Emission	15.247 (d)	PASS
5	Power Spectral Density	15.247 (e)	PASS
6	Restricted Band of Operation	15.205	PASS
7	Band Edge (Out of Band Emissions)	15.247 (d)	PASS
8	Antenna Requirement	15.203	PASS

3. MEASUREMENT UNCERTAINTY

Where relevant, the following measurement uncertainty levels have been estimated for tests performed on the Product as specified in CISPR 16-4-2. This uncertainty represents an expanded uncertainty expressed at approximately the 95% confidence level using a coverage factor of $k=2$.

No.	Item	Uncertainty
1	3m chamber Radiated spurious emission(30MHz-1GHz)	U=4.3dB
2	3m chamber Radiated spurious emission(9KHz-30MHz)	U=3.7dB
3	3m chamber Radiated spurious emission(1GHz-18GHz)	U=4.5dB
4	3m chamber Radiated spurious emission(18GHz-40GHz)	U=3.34dB
5	Conducted Emission (150kHz-30MHz)	U=3.20dB
6	Conducted Adjacent channel power	U=1.38dB
7	Conducted output power uncertainty Above 1G	U=1.576dB
8	Conducted output power uncertainty below 1G	U=1.28dB
9	humidity uncertainty	U=5.3%
10	Temperature uncertainty	U=0.59°C

4. PRODUCT INFORMATION AND TEST SETUP

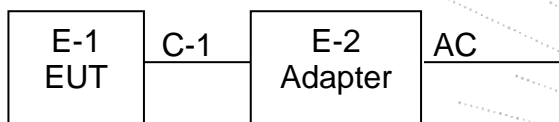
4.1 Product Information

Model/Type reference:	CDW-47W3155-00
Model differences:	N/A
Hardware Version:	N/A
Software Version:	N/A
Operation Frequency:	802.11b/g/n20MHz:2412~2462 MHz 802.11n40MHz:2422~2452 MHz
Bit Rate of Transmitter	802.11b:11/5.5/2/1 Mbps 802.11g:54/48/36/24/18/12/9/6Mbps 802.11n Up to 150Mbps
Type of Modulation:	WIFI: OFDM/DSSS
Number Of Channel	802.11b/g/n20MHz:11 CH 802.11n40MHz: 7 CH
Antenna installation:	External antenna
Antenna Gain:	2dBi
Ratings:	DC 3.3V

4.2 Test Setup Configuration

See test photographs attached in *EUT TEST SETUP PHOTOGRAPHS* for the actual connections between Product and support equipment.

Conducted Emission/ Radiated Spurious Emission::



4.3 Support Equipment

No.	Device Type	Brand	Model	Series No.	Note
E-1	WLAN 11a/b/g/n/ac SDIO3.0 1T1R + Bluetooth 5.0 module	N/A	CDW-47W 3155-00	N/A	EUT
E-2	Adapter	N/A	BCTC001	N/A	Auxiliary

Item	Shielded Type	Ferrite Core	Length	Note
C-1	NO	NO	0.5M	DC cable unshielded
C-2	NO	NO	0.5M	USB cable unshielded

Notes:

- All the equipment/cables were placed in the worst-case configuration to maximize the emission during the test.
- Grounding was established in accordance with the manufacturer's requirements and conditions for the intended use.

4.4 Channel List

Channel List for 802.11b/g/n(20)					
Channel	Frequency (MHz)	Channel	Frequency (MHz)	Channel	Frequency (MHz)
01	2412	02	2417	03	2422
04	2427	05	2432	06	2437
07	2442	08	2447	09	2452
10	2457	11	2462		

Channel List for 802.11n(40)					
Channel	Frequency (MHz)	Channel	Frequency (MHz)	Channel	Frequency (MHz)
03	2422	04	2427	05	2432
06	2437	07	2442	08	2447
09	2452				

4.5 Test Mode

To investigate the maximum EMI emission characteristics generated from EUT, the test system was pre-scanning tested based on the consideration of following EUT operation mode or test configuration mode which possibly have effect on EMI emission level. Each of these EUT operation mode(s) or test configuration mode(s) mentioned above was evaluated respectively.

Pretest Mode	Description
Mode 1	802.11b CH1/ CH6/ CH11
Mode 2	802.11g CH1/ CH6/ CH11
Mode 3	802.11n20 CH1/ CH6/ CH11
Mode 4	802.11n40 CH3/ CH6/ CH9
Mode 5	Link Mode

Radiated Emission	
Final Test Mode	Description
Mode 5	Link Mode

For Radiated Emission	
Final Test Mode	Description
Mode 1	802.11b CH1/ CH6/ CH11
Mode 2	802.11g CH1/ CH6/ CH11
Mode 3	802.11n20 CH1/ CH6/ CH11
Mode 4	802.11n40 CH3/ CH6/ CH9

Note:

- (1) The measurements are performed at all Bit Rate of Transmitter, the worst data was reported.

4.6 table of parameters of test software setting

During testing channel & power controlling software provided by the customer was used to control the operating channel as well as the output power level. The RF output power selection is for the setting of RF output power expected by the customer and is going to be fixed on the firmware of the final end product power parameters

Test software Version	CMD		
Frequency	2412 MHz	2437 MHz	2462 MHz
Parameters	DEF	DEF	DEF
Frequency	2422MHz	2437MHz	2452MHz
Parameters	DEF	DEF	DEF

5. TEST FACILITY AND TEST INSTRUMENT USED

5.1 Test Facility

All measurement facilities used to collect the measurement data are located at Shenzhen BCTC Testing Co., Ltd. Address:1-2/F., Building B, Pengzhou Industrial Park, No.158, Fuyuan 1st Road, Tangwei, Fuhai Subdistrict, Bao'an District, Shenzhen, Guangdong, China. The site and apparatus are constructed in conformance with the requirements of ANSI C63.4 and CISPR 16-1-1 other equivalent standards.

FCC Test Firm Registration Number: 712850

IC Registered No.: 23583

5.2 Test Instrument Used

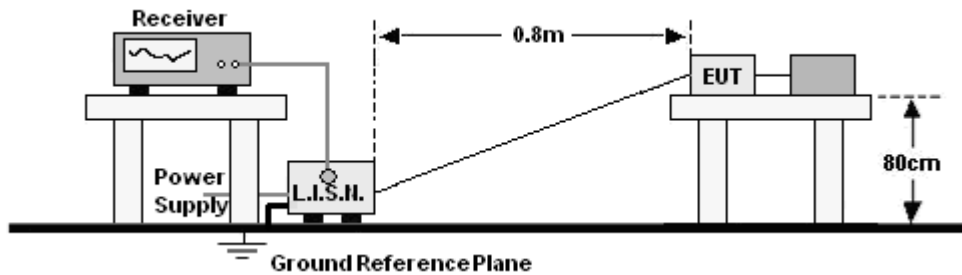
Conducted emissions Test					
Equipment	Manufacturer	Model#	Serial#	Last Cal.	Next Cal.
Receiver	R&S	ESR3	102075	May 28, 2021	May 27, 2022
LISN	R&S	ENV216	101375	May 28, 2021	May 27, 2022
ISN	HPX	ISN T800	S150900 1	May 28, 2021	May 27, 2022
Software	Frad	EZ-EMC	EMC-CO N 3A1	\	\

RF conducted test					
Equipment	Manufacturer	Model#	Serial#	Last Cal.	Next Cal.
Power Metter	Keysight	E4419B	\	May 28, 2021	May 27, 2022
Power Sensor (AV)	Keysight	E9 300A	\	May 28, 2021	May 27, 2022
Signal Analyzer 20kHz-26.5GHz	KEYSIGHT	N9020A	MY4910006 0	May 28, 2021	May 27, 2022
Spectrum Analyzer 9kHz-40GHz	Agilent	FSP40	100363	May 28, 2021	May 27, 2022

Radiated emissions Test (966 chamber)					
Equipment	Manufacturer	Model#	Serial#	Last Cal.	Next Cal.
966 chamber	ChengYu	966 Room	966	Jun. 06. 2020	Jun. 05, 2023
Receiver	R&S	ESR3	102075	May 28, 2021	May 27, 2022
Receiver	R&S	ESRP	101154	May 28, 2021	May 27, 2022
Amplifier	SKET	LAPA_01G 18G-45dB	\	May 28, 2021	May 27, 2022
Amplifier	Schwarzbeck	BBV9744	9744-0037	May 28, 2021	May 27, 2022
TRILOG Broadband Antenna	schwarzbeck	VULB 9163	VULB9163 -942	Jun. 01, 2021	May 31, 2022
Horn Antenna	SCHWARZBE CK	BBHA9120 D	1541	Jun. 02, 2021	Jun. 01, 2022
Horn Antenna (18GHz-40 GHz)	SCHWARZBE CK	BBHA9170	822	Jun. 15, 2021	Jun. 14, 2022
Amplifier (18GHz-40 GHz)	MITEQ	TTA1840-3 5-HG	2034381	May 28, 2021	May 27, 2022
Loop Antenna (9kHz-30M Hz)	SCHWARZBE CK	FMZB1519 B	014	Jun. 02, 2021	Jun. 01, 2022
RF cables1 (9kHz-30MH z)	Huber+Suhnar	9kHz-30M Hz	B1702988- 0008	May 28, 2021	May 27, 2022
RF cables2 (30MHz-1G Hz)	Huber+Suhnar	30MHz-1G Hz	1486150	May 28, 2021	May 27, 2022
RF cables3 (1GHz-40G Hz)	Huber+Suhnar	1GHz-40G Hz	1607106	May 28, 2021	May 27, 2022
Power Metter	Keysight	E4419B	\	May 28, 2021	May 27, 2022
Power Sensor (AV)	Keysight	E9 300A	\	May 28, 2021	May 27, 2022
Signal Analyzer 20kHz-26.5 GHz	KEYSIGHT	N9020A	MY491000 60	May 28, 2021	May 27, 2022
Spectrum Analyzer 9kHz-40G Hz	R&S	FSP40	100363	May 28, 2021	May 27, 2022
Software	Frad	EZ-EMC	FA-03A2 RE	\	\

6. CONDUCTED EMISSIONS

6.1 Block Diagram Of Test Setup



6.2 Limit

FREQUENCY (MHz)	Limit (dBuV)	
	Quas-peak	Average
0.15 -0.5	66 - 56 *	56 - 46 *
0.50 -5.0	56.00	46.00
5.0 -30.0	60.00	50.00

Notes:

- *Decreasing linearly with logarithm of frequency.
- The lower limit shall apply at the transition frequencies.

6.3 Test procedure

Receiver Parameters	Setting
Attenuation	10 dB
Start Frequency	0.15 MHz
Stop Frequency	30 MHz
IF Bandwidth	9 kHz

a. The Product was placed on a nonconductive table 0.8 m above the horizontal ground reference plane, and 0.4 m from the vertical ground reference plane, and connected to the main through Line Impedance Stability Network (L.I.S.N).

b. The RBW of the receiver was set at 9 kHz in 150 kHz ~ 30MHz with Peak and AVG detector in Max Hold mode. Run the receiver's pre-scan to record the maximum disturbance generated from Product in all power lines in the full band.

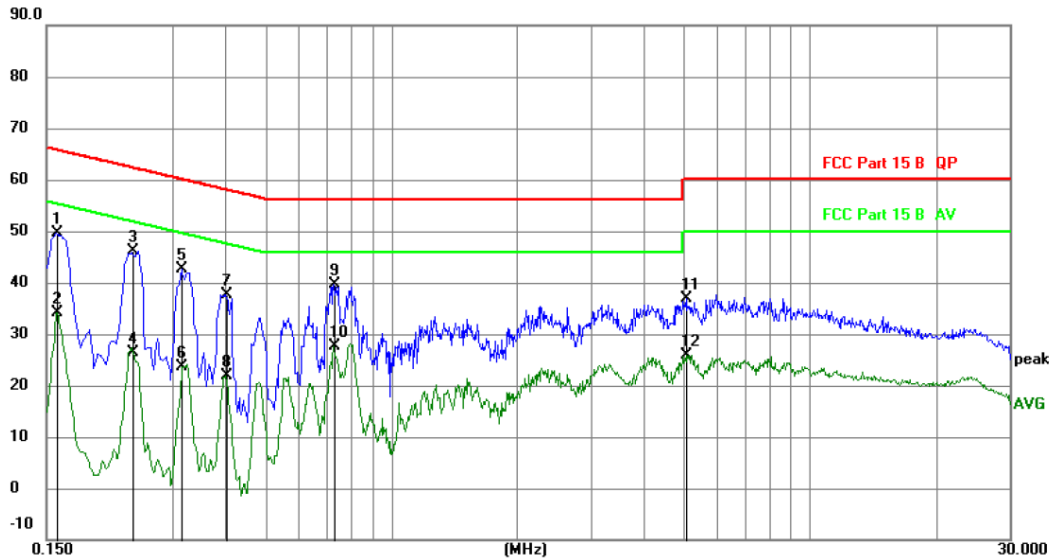
c. For each frequency whose maximum record was higher or close to limit, measure its QP and AVG values and record.

6.4 EUT operating Conditions

The EUT was configured for testing in a typical fashion (as a customer would normally use it). The EUT has been programmed to continuously transmit during test. This operating condition was tested and used to collect the included data.

6.5 Test Result

Temperature:	26°C	Relative Humidity:	54%
Pressure:	101 kPa	Test Voltage :	AC120V/60Hz
Test Mode :	Mode 5	Polarization :	L

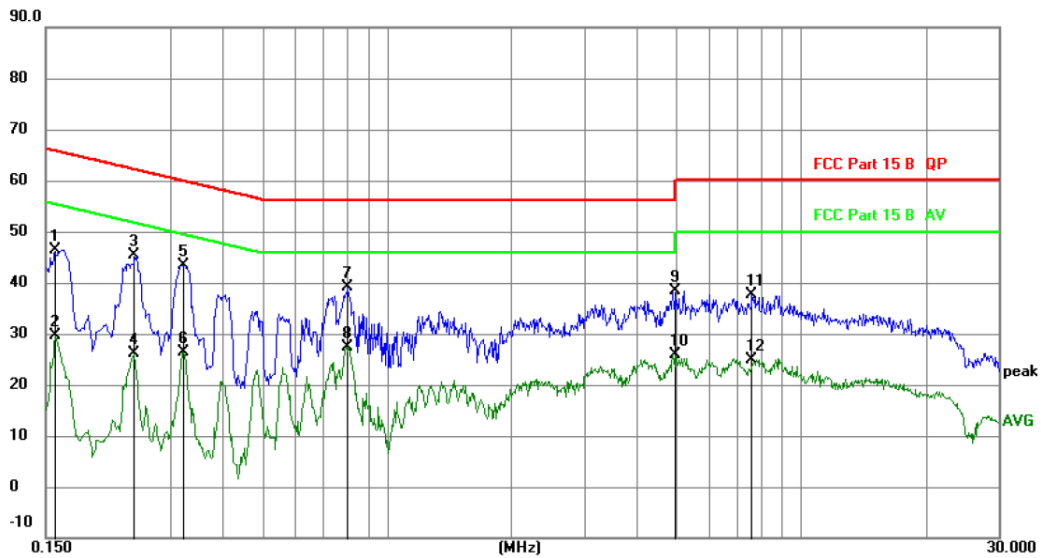


Remark:

Factor = Antenna Factor + Cable Loss – Pre-amplifier.

No.	Mk.	Freq.	Reading Level	Correct Factor	Measurement	Limit	Over	
		MHz		dB	dBuV	dBuV	dB	Detector
1		0.1590	39.91	9.61	49.52	65.52	-16.00	QP
2		0.1590	24.60	9.61	34.21	55.52	-21.31	AVG
3	*	0.2416	36.48	9.61	46.09	62.04	-15.95	QP
4		0.2416	16.81	9.61	26.42	52.04	-25.62	AVG
5		0.3165	32.94	9.61	42.55	59.80	-17.25	QP
6		0.3165	13.92	9.61	23.53	49.80	-26.27	AVG
7		0.4020	28.04	9.62	37.66	57.81	-20.15	QP
8		0.4020	12.28	9.62	21.90	47.81	-25.91	AVG
9		0.7304	29.93	9.62	39.55	56.00	-16.45	QP
10		0.7304	17.98	9.62	27.60	46.00	-18.40	AVG
11		5.0685	27.21	9.71	36.92	60.00	-23.08	QP
12		5.0685	16.22	9.71	25.93	50.00	-24.07	AVG

Temperature:	26°C	Relative Humidity:	54%
Pressure:	101 kpa	Test Voltage :	AC120V/60Hz
Test Mode :	Mode 5	Polarization :	N



Remark:

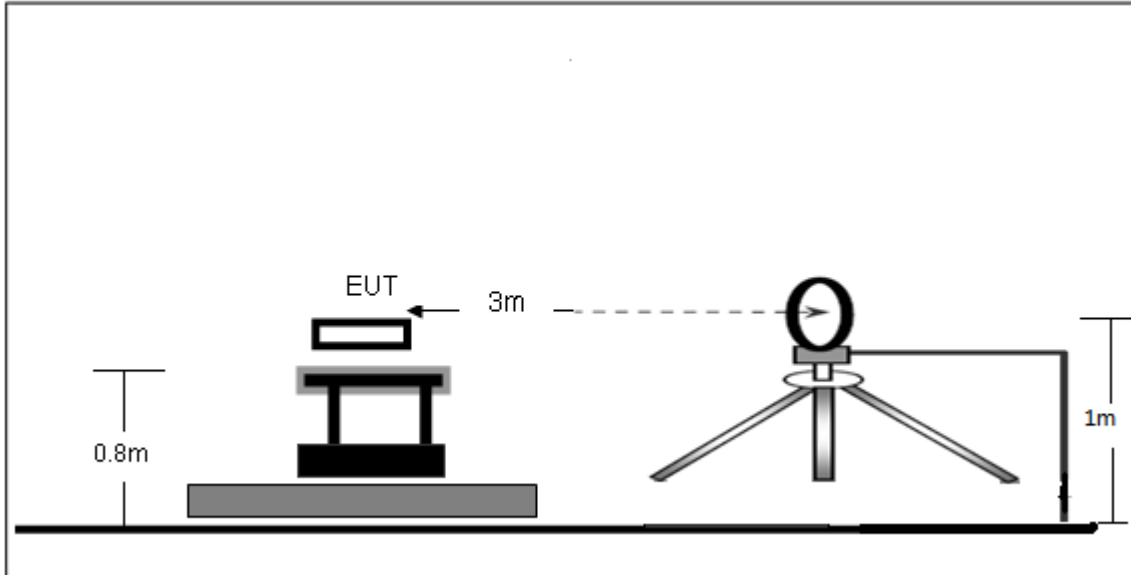
Factor = Antenna Factor + Cable Loss – Pre-amplifier.

No.	Mk.	Freq.	Reading Level	Correct Factor	Measurement	Limit	Over	Detector
		MHz		dB	dBuV	dBuV	dB	
1		0.1580	36.88	9.61	46.49	65.57	-19.08	QP
2		0.1580	19.96	9.61	29.57	55.57	-26.00	AVG
3		0.2442	35.74	9.61	45.35	61.95	-16.60	QP
4		0.2442	16.49	9.61	26.10	51.95	-25.85	AVG
5	*	0.3200	33.78	9.61	43.39	59.71	-16.32	QP
6		0.3200	16.75	9.61	26.36	49.71	-23.35	AVG
7		0.8002	29.45	9.62	39.07	56.00	-16.93	QP
8		0.8002	17.86	9.62	27.48	46.00	-18.52	AVG
9		4.9780	28.59	9.71	38.30	56.00	-17.70	QP
10		4.9780	16.14	9.71	25.85	46.00	-20.15	AVG
11		7.6059	27.84	9.75	37.59	60.00	-22.41	QP
12		7.6059	15.17	9.75	24.92	50.00	-25.08	AVG

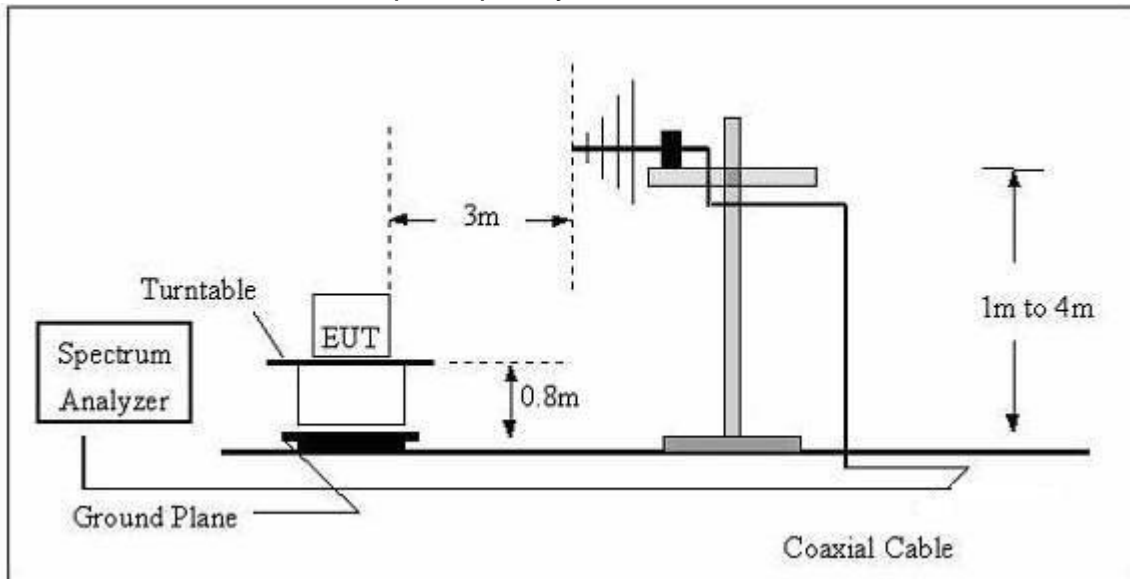
7. RADIATED EMISSIONS

7.1 Block Diagram Of Test Setup

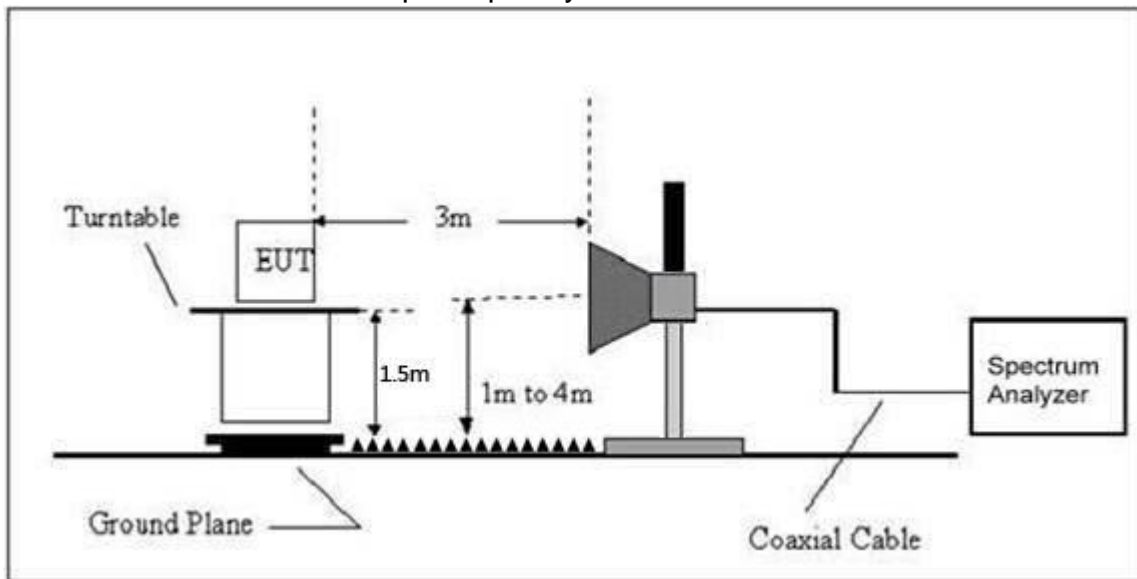
(A) Radiated Emission Test-Up Frequency Below 30MHz



(B) Radiated Emission Test-Up Frequency 30MHz~1GHz



(C) Radiated Emission Test-Up Frequency Above 1GHz



7.2 Limit

20dBc in any 100 kHz bandwidth outside the operating frequency band. In case the emission fall within the restricted band specified on 15.205(a), then the 15.209(a) limit in the table below has to be followed.

Frequency (MHz)	Field Strength uV/m	Distance (m)	Field Strength Limit at 3m Distance	
			uV/m	dBuV/m
0.009 ~ 0.490	2400/F(kHz)	300	$10000 * 2400/F(\text{kHz})$	$20\log^{(2400/F(\text{kHz}))} + 80$
0.490 ~ 1.705	24000/F(kHz)	30	$100 * 24000/F(\text{kHz})$	$20\log^{(24000/F(\text{kHz}))} + 40$
1.705 ~ 30	30	30	$100 * 30$	$20\log^{(30)} + 40$
30 ~ 88	100	3	100	$20\log^{(100)}$
88 ~ 216	150	3	150	$20\log^{(150)}$
216 ~ 960	200	3	200	$20\log^{(200)}$
Above 960	500	3	500	$20\log^{(500)}$

LIMITS OF RADIATED EMISSION MEASUREMENT (Above 1000MHz)

FREQUENCY (MHz)	Limit (dBuV/m) (at 3M)	
	PEAK	AVERAGE
Above 1000	74	54

Notes:

- (1) The limit for radiated test was performed according to FCC PART 15C.
- (2) The tighter limit applies at the band edges.
- (3) Emission level (dBuV/m) = $20\log$ Emission level (uV/m).

FREQUENCY RANGE OF RADIATED MEASUREMENT

(a) For an intentional radiator

the spectrum shall be investigated from the lowest radio frequency signal generated in the device, without going below 9 kHz, up to at least the frequency shown in this paragraph:

(1) If the intentional radiator operates below 10 GHz: to the tenth harmonic of the highest fundamental frequency or to 40 GHz, whichever is lower.

(2) If the intentional radiator operates at or above 10 GHz and below 30 GHz: to the fifth harmonic of the highest fundamental frequency or to 100 GHz, whichever is lower.

(3) If the intentional radiator operates at or above 30 GHz: to the fifth harmonic of the highest fundamental frequency or to 200 GHz, whichever is lower, unless specified otherwise elsewhere in the rules.

(4) If the intentional radiator operates at or above 95 GHz: To the third harmonic of the highest fundamental frequency or to 750 GHz, whichever is lower, unless specified otherwise elsewhere in the rules.

(5) If the intentional radiator contains a digital device, regardless of whether this digital device controls the functions of the intentional radiator or the digital device is used for additional control or function purposes other than to enable the operation of the intentional radiator, the frequency range shall be investigated up to the range specified in paragraphs (a) (1)through (4) of this section or the range applicable to the digital device, as shown in paragraph (b)(1) of this section, whichever is the higher frequency range of investigation.

7.3 Test procedure

Receiver Parameter	Setting
Attenuation	Auto
9kHz~150kHz	RBW 200Hz for QP
150kHz~30MHz	RBW 9kHz for QP
30MHz~1000MHz	RBW 120kHz for QP

Spectrum Parameter	Setting
1-25GHz	RBW 1 MHz /VBW 1 MHz for Peak, RBW 1 MHz / VBW 10Hz for Average

Below 1GHz test procedure as below:

a. The EUT was placed on the top of a rotating table 0.8 meters above the ground at a 3 meter semi-anechoic chamber. The table was rotated 360 degrees to determine the position of the highest radiation.

b. The EUT was set 3 meters away from the interference-receiving antenna, which was mounted on the top of a variable-height antenna tower.

c. The antenna height is varied from one meter to four meters above the ground to determine the maximum value of the field strength. Both horizontal and vertical polarizations of the antenna are set to make the measurement.

- d. For each suspected emission, the EUT was arranged to its worst case and then the antenna was tuned to heights from 1 meter to 4 meters (for the test frequency of below 30MHz, the antenna was tuned to heights 1 meter) and the rotatable table was turned from 0 degrees to 360 degrees to find the maximum reading.
- e. The test-receiver system was set to Peak Detect Function and Specified Bandwidth with Maximum Hold Mode.
- f. If the emission level of the EUT in peak mode was 10dB lower than the limit specified, then testing could be stopped and the peak values of the EUT would be reported. Otherwise the emissions that did not have 10dB margin would be re-tested one by one using peak, quasi-peak or average method as specified and then reported in a data sheet.

Above 1GHz test procedure as below:

- a. The EUT was placed on the top of a rotating table 1.5 meters above the ground at a 3 meter camber. The table was rotated 360 degrees to determine the position of the highest radiation.
- b. The EUT was set 3 meters away from the interference-receiving antenna, which was mounted on the top of a variable-height antenna tower.
- c. The antenna height is varied from one meter to four meters above the ground to determine the maximum value of the field strength. Both horizontal and vertical polarizations of the antenna are set to make the measurement.
- d. For each suspected emission, the EUT was arranged to its worst case and then the antenna was tuned to heights from 1 meter to 4 meters and the rota table was turned from 0 degrees to 360 degrees to find the maximum reading.
- e. The test-receiver system was set to Peak Detect Function and Specified Bandwidth with Maximum Hold Mode.
- f. If the emission level of the EUT in peak mode was 10dB lower than the limit specified, then testing could be stopped and the peak values of the EUT would be reported. Otherwise the emissions that did not have 10dB margin would be re-tested one by one using peak, quasi-peak or average method as specified and then reported in a data sheet.
- g. Test the EUT in the lowest channel, the middlest channel, the Highest channel.

Note:

Both horizontal and vertical antenna polarities were tested and performed pretest to three orthogonal axis. The worst case emissions were reported.

7.4 EUT operating Conditions

The EUT was configured for testing in a typical fashion (as a customer would normally use it). The EUT has been programmed to continuously transmit during test. This operating condition was tested and used to collect the included data.

7.5 Test Result

Below 30MHz

Temperature:	26°C	Relative Humidity:	24%
Pressure:	101 kPa	Test Voltage :	AC120V/60Hz
Test Mode :	Mode 5	Polarization :	--

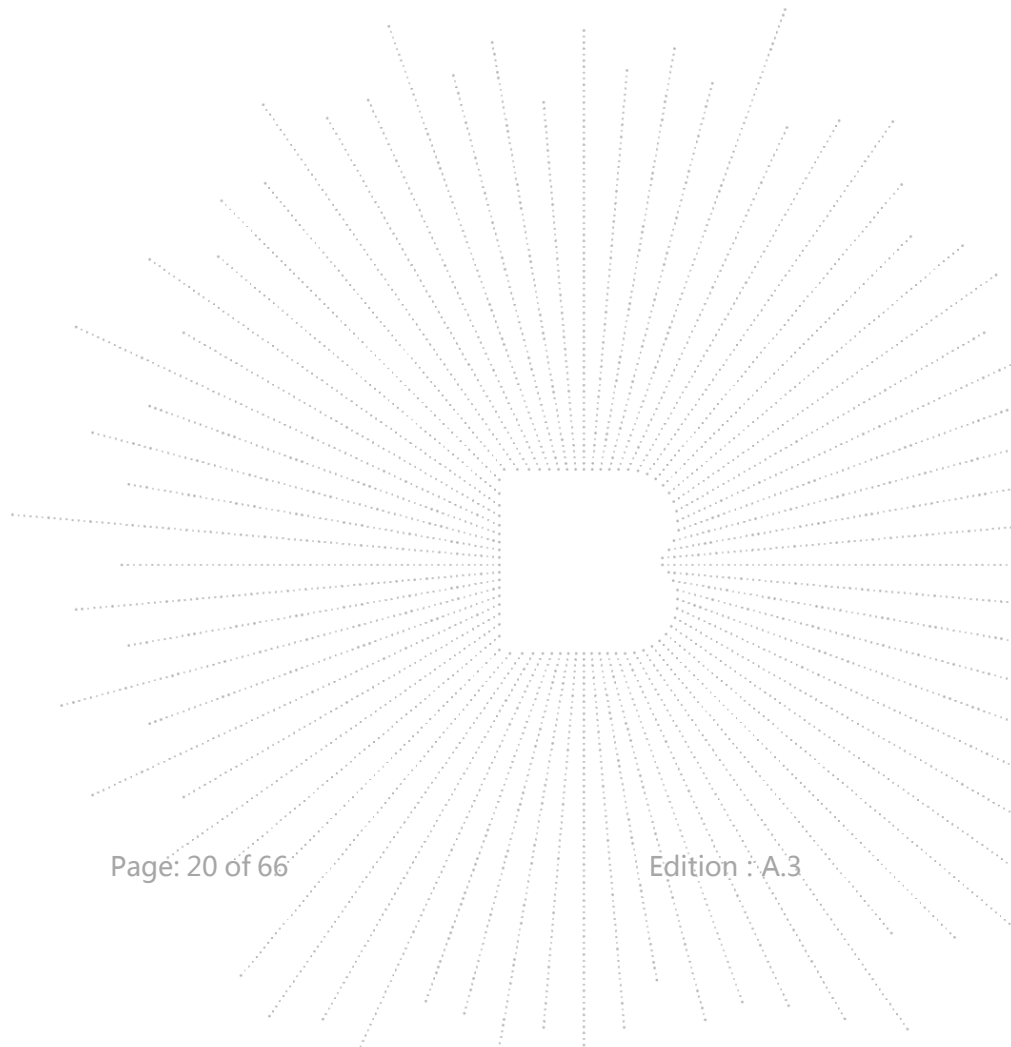
Freq. (MHz)	Reading (dBuV/m)	Limit (dBuV/m)	Margin (dB)	State P/F
--	--	--	--	PASS
--	--	--	--	PASS

Note:

The amplitude of spurious emissions which are attenuated by more than 20dB below the permissible value has no need to be reported.

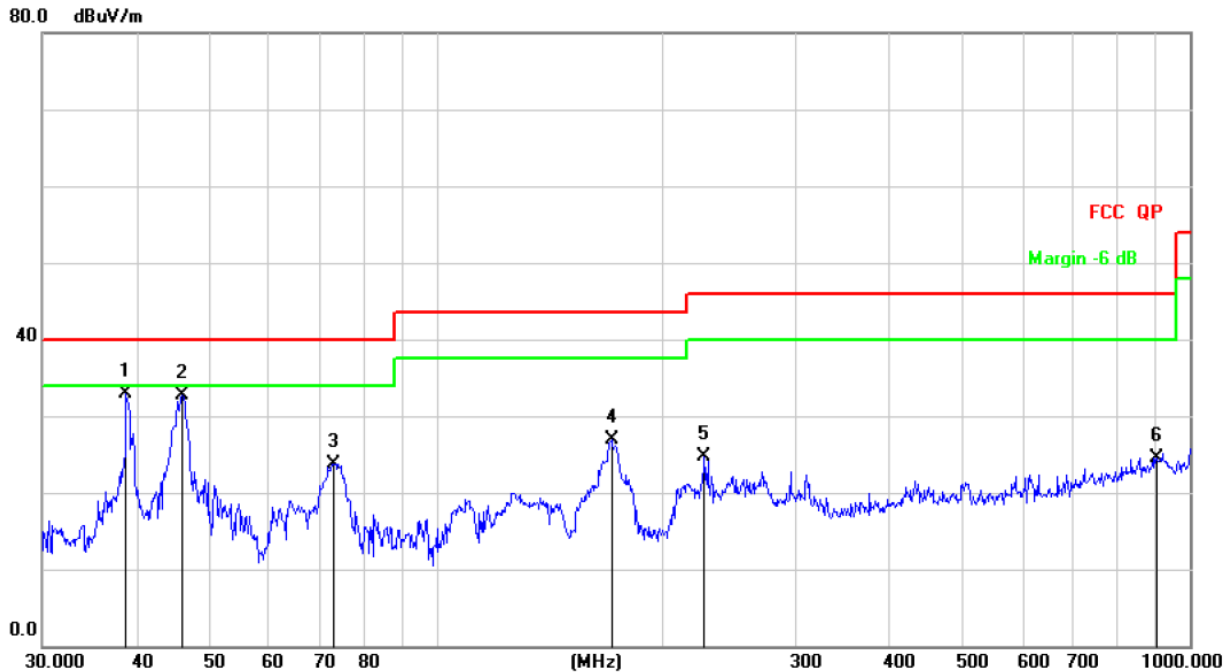
Distance extrapolation factor = $40 \log (\text{specific distance}/\text{test distance})(\text{dB})$;

Limit line = specific limits(dBuv) + distance extrapolation factor.



Between 30MHz – 1GHz

Temperature:	26°C	Relative Humidity:	54%
Pressure:	101 kPa	Test Voltage :	AC120V/60Hz
Test Mode :	Mode 5	Polarization :	Horizontal

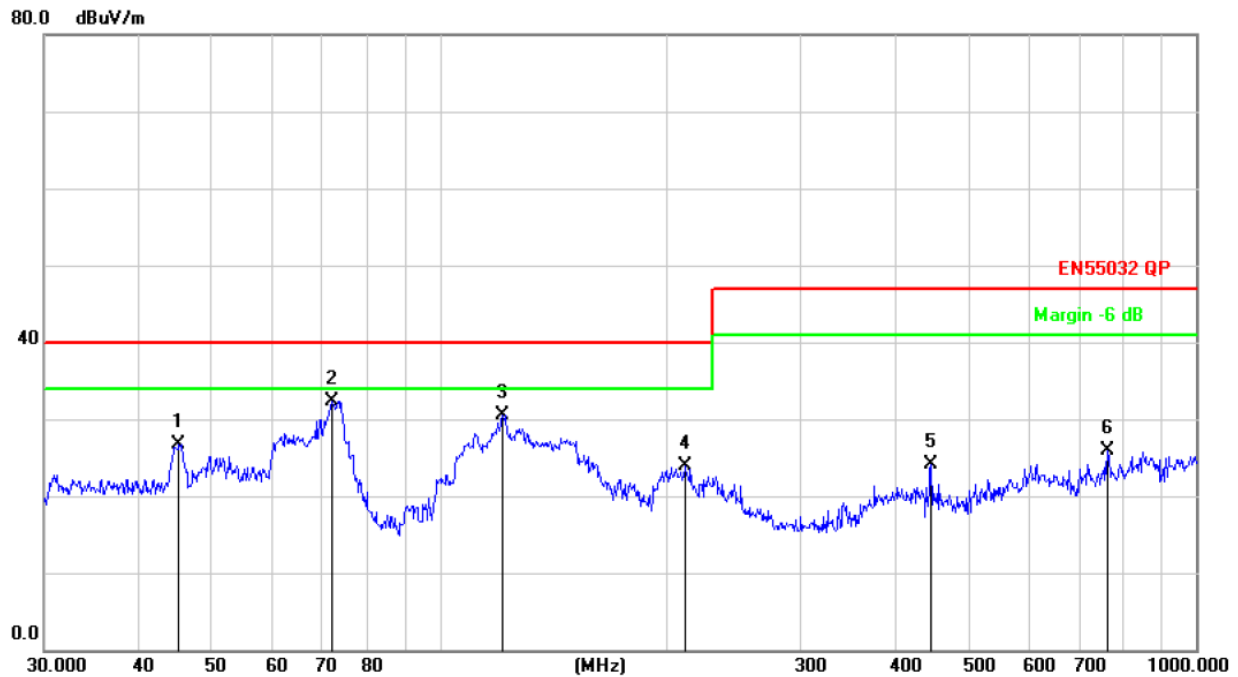


Remark:

Factor = Antenna Factor + Cable Loss – Pre-amplifier.

No.	Mk.	Freq.	Reading Level	Correct Factor	Measurement	Limit	Over	Detector
		MHz	dBuV	dB	dBuV/m	dB/m	dB	
1	*	38.7518	48.46	-15.64	32.82	40.00	-7.18	QP
2		46.0162	47.75	-15.07	32.68	40.00	-7.32	QP
3		73.1025	42.68	-18.88	23.80	40.00	-16.20	QP
4		170.7923	45.05	-18.17	26.88	43.50	-16.62	QP
5		226.8934	40.34	-15.68	24.66	46.00	-21.34	QP
6		903.3093	26.02	-1.47	24.55	46.00	-21.45	QP

Temperature:	26°C	Relative Humidity:	54%
Pressure:	101 kpa	Test Voltage :	AC120V/60Hz
Test Mode :	Mode 5	Polarization :	Vertical



Remark:

Factor = Antenna Factor + Cable Loss – Pre-amplifier.

No.	Mk.	Freq. MHz	Reading Level dBuV	Correct Factor dB	Measure- ment dBuV/m	Limit dB/m	Over dB	Detector
1		45.2165	42.78	-16.13	26.65	40.00	-13.35	QP
2	*	72.0841	51.36	-19.08	32.28	40.00	-7.72	QP
3		121.1230	47.98	-17.55	30.43	40.00	-9.57	QP
4		210.7860	39.09	-15.28	23.81	40.00	-16.19	QP
5		446.4141	33.71	-9.67	24.04	47.00	-22.96	QP
6		763.3757	28.45	-2.62	25.83	47.00	-21.17	QP

Between 1GHz – 25GHz
802.11b

Polar (H/V)	Frequency	Reading Level	Correct Factor	Measurement	Limits	Over	Detector Type
	(MHz)	(dBuV/m)	(dB)	(dBuV/m)	(dBuV/m)	(dB)	
Low channel:2412MHz							
V	4824.00	53.38	-0.43	52.95	74.00	-21.05	PK
V	4824.00	45.31	-0.43	44.88	54.00	-9.12	AV
V	7236.00	44.78	8.31	53.09	74.00	-20.91	PK
V	7236.00	34.22	8.31	42.53	54.00	-11.47	AV
H	4824.00	51.47	-0.43	51.04	74.00	-22.96	PK
H	4824.00	41.13	-0.43	40.70	54.00	-13.30	AV
H	7236.00	43.60	8.31	51.91	74.00	-22.09	PK
H	7236.00	35.85	8.31	44.16	54.00	-9.84	AV
Middle channel:2437MHz							
V	4874.00	51.89	-0.38	51.51	74.00	-22.49	PK
V	4874.00	44.72	-0.38	44.34	54.00	-9.66	AV
V	7311.00	41.86	8.83	50.69	74.00	-23.31	PK
V	7311.00	33.17	8.83	42.00	54.00	-12.00	AV
H	4874.00	47.90	-0.38	47.52	74.00	-26.48	PK
H	4874.00	38.53	-0.38	38.15	54.00	-15.85	AV
H	7311.00	39.50	8.83	48.33	74.00	-25.67	PK
H	7311.00	32.19	8.83	41.02	54.00	-12.98	AV
High channel:2462MHz							
V	4924.00	54.60	-0.32	54.28	74.00	-19.72	PK
V	4924.00	45.93	-0.32	45.61	54.00	-8.39	AV
V	7386.00	46.88	9.35	56.23	74.00	-17.77	PK
V	7386.00	36.90	9.35	46.25	54.00	-7.75	AV
H	4924.00	53.00	-0.32	52.68	74.00	-21.32	PK
H	4924.00	43.60	-0.32	43.28	54.00	-10.72	AV
H	7386.00	45.34	9.35	54.69	74.00	-19.31	PK
H	7386.00	37.07	9.35	46.42	54.00	-7.58	AV

Remark:

1. Emission Level = Meter Reading + Factor,
 Factor = Antenna Factor + Cable Loss – Pre-amplifier.
 Over = Emission Level - Limit
2. If peak below the average limit, the average emission was no test.
3. In restricted bands of operation, The spurious emissions below the permissible value more than 20dB
4. The amplitude of spurious emissions which are attenuated by more than 20dB below the permissible value has no need to be reported.

802.11g

Polar (H/V)	Frequency	Reading Level	Correct Factor	Measure- ment	Limits	Over	Detector Type
	(MHz)	(dBuV/m)	(dB)	(dBuV/m)	(dBuV/ m)	(dB)	
Low channel:2412MHz							
V	4824.00	53.89	-0.43	53.46	74.00	-20.54	PK
V	4824.00	45.26	-0.43	44.83	54.00	-9.17	AV
V	7236.00	46.60	8.31	54.91	74.00	-19.09	PK
V	7236.00	37.24	8.31	45.55	54.00	-8.45	AV
H	4824.00	49.87	-0.43	49.44	74.00	-24.56	PK
H	4824.00	40.59	-0.43	40.16	54.00	-13.84	AV
H	7236.00	44.37	8.31	52.68	74.00	-21.32	PK
H	7236.00	36.45	8.31	44.76	54.00	-9.24	AV
Middle channel:2437MHz							
V	4874.00	50.74	-0.38	50.36	74.00	-23.64	PK
V	4874.00	44.47	-0.38	44.09	54.00	-9.91	AV
V	7311.00	40.83	8.83	49.66	74.00	-24.34	PK
V	7311.00	30.89	8.83	39.72	54.00	-14.28	AV
H	4874.00	46.58	-0.38	46.20	74.00	-27.80	PK
H	4874.00	37.09	-0.38	36.71	54.00	-17.29	AV
H	7311.00	38.34	8.83	47.17	74.00	-26.83	PK
H	7311.00	30.81	8.83	39.64	54.00	-14.36	AV
High channel:2462MHz							
V	4924.00	52.29	-0.32	51.97	74.00	-22.03	PK
V	4924.00	41.94	-0.32	41.62	54.00	-12.38	AV
V	7386.00	43.85	9.35	53.20	74.00	-20.80	PK
V	7386.00	34.54	9.35	43.89	54.00	-10.11	AV
H	4924.00	49.36	-0.32	49.04	74.00	-24.96	PK
H	4924.00	38.82	-0.32	38.50	54.00	-15.50	AV
H	7386.00	40.97	9.35	50.32	74.00	-23.68	PK
H	7386.00	33.25	9.35	42.60	54.00	-11.40	AV

Remark:

1. Emission Level = Meter Reading + Factor,
 Factor = Antenna Factor + Cable Loss – Pre-amplifier.
 Over = Emission Level - Limit
2. If peak below the average limit, the average emission was no test.
3. In restricted bands of operation, The spurious emissions below the permissible value more than 20dB
4. The amplitude of spurious emissions which are attenuated by more than 20dB below the permissible value has no need to be reported.

802.11n20

Polar (H/V)	Frequency	Reading Level	Correct Factor	Measurement	Limits	Over	Detector Type
	(MHz)	(dBuV/m)	(dB)	(dBuV/m)	(dBuV/m)	(dB)	
Low channel:2412MHz							
V	4824.00	53.93	-0.43	53.50	74.00	-20.50	PK
V	4824.00	45.69	-0.43	45.26	54.00	-8.74	AV
V	7236.00	44.96	8.31	53.27	74.00	-20.73	PK
V	7236.00	34.12	8.31	42.43	54.00	-11.57	AV
H	4824.00	51.55	-0.43	51.12	74.00	-22.88	PK
H	4824.00	41.61	-0.43	41.18	54.00	-12.82	AV
H	7236.00	42.50	8.31	50.81	74.00	-23.19	PK
H	7236.00	35.27	8.31	43.58	54.00	-10.42	AV
Middle channel:2437MHz							
V	4874.00	52.34	-0.38	51.96	74.00	-22.04	PK
V	4874.00	44.02	-0.38	43.64	54.00	-10.36	AV
V	7311.00	44.63	8.83	53.46	74.00	-20.54	PK
V	7311.00	35.31	8.83	44.14	54.00	-9.86	AV
H	4874.00	50.05	-0.38	49.67	74.00	-24.33	PK
H	4874.00	39.87	-0.38	39.49	54.00	-14.51	AV
H	7311.00	42.79	8.83	51.62	74.00	-22.38	PK
H	7311.00	35.25	8.83	44.08	54.00	-9.92	AV
High channel:2462MHz							
V	4924.00	54.54	-0.32	54.22	74.00	-19.78	PK
V	4924.00	44.01	-0.32	43.69	54.00	-10.31	AV
V	7386.00	45.56	9.35	54.91	74.00	-19.09	PK
V	7386.00	36.24	9.35	45.59	54.00	-8.41	AV
H	4924.00	52.31	-0.32	51.99	74.00	-22.01	PK
H	4924.00	41.38	-0.32	41.06	54.00	-12.94	AV
H	7386.00	44.05	9.35	53.40	74.00	-20.60	PK
H	7386.00	35.93	9.35	45.28	54.00	-8.72	AV

Remark:

1. Emission Level = Meter Reading + Factor,
Factor = Antenna Factor + Cable Loss – Pre-amplifier.
Over = Emission Level - Limit
2. If peak below the average limit, the average emission was no test.
3. In restricted bands of operation, The spurious emissions below the permissible value more than 20dB
4. The amplitude of spurious emissions which are attenuated by more than 20dB below the permissible value has no need to be reported.

802.11n40

Polar (H/V)	Frequency	Reading Level	Correct Factor	Measurement	Limits	Over	Detector Type
	(MHz)	(dBuV/m)	(dB)	(dBuV/m)	(dBuV/m)	(dB)	
Low channel:2422MHz							
V	4844.00	52.04	-0.43	51.61	74.00	-22.39	PK
V	4844.00	43.11	-0.43	42.68	54.00	-11.32	AV
V	7266.00	44.06	8.31	52.37	74.00	-21.63	PK
V	7266.00	34.89	8.31	43.20	54.00	-10.80	AV
H	4844.00	47.76	-0.43	47.33	74.00	-26.67	PK
H	4844.00	37.84	-0.43	37.41	54.00	-16.59	AV
H	7266.00	41.82	8.31	50.13	74.00	-23.87	PK
H	7266.00	34.11	8.31	42.42	54.00	-11.58	AV
Middle channel:2437MHz							
V	4874.00	50.70	-0.38	50.32	74.00	-23.68	PK
V	4874.00	41.99	-0.38	41.61	54.00	-12.39	AV
V	7311.00	40.91	8.83	49.74	74.00	-24.26	PK
V	7311.00	32.01	8.83	40.84	54.00	-13.16	AV
H	4874.00	49.10	-0.38	48.72	74.00	-25.28	PK
H	4874.00	40.01	-0.38	39.63	54.00	-14.37	AV
H	7311.00	38.54	8.83	47.37	74.00	-26.63	PK
H	7311.00	29.68	8.83	38.51	54.00	-15.49	AV
High channel:2452MHz							
V	4904.00	51.91	-0.32	51.59	74.00	-22.41	PK
V	4904.00	43.44	-0.32	43.12	54.00	-10.88	AV
V	7356.00	44.74	9.35	54.09	74.00	-19.91	PK
V	7356.00	35.38	9.35	44.73	54.00	-9.27	AV
H	4904.00	50.26	-0.32	49.94	74.00	-24.06	PK
H	4904.00	39.48	-0.32	39.16	54.00	-14.84	AV
H	7356.00	42.77	9.35	52.12	74.00	-21.88	PK
H	7356.00	34.37	9.35	43.72	54.00	-10.28	AV

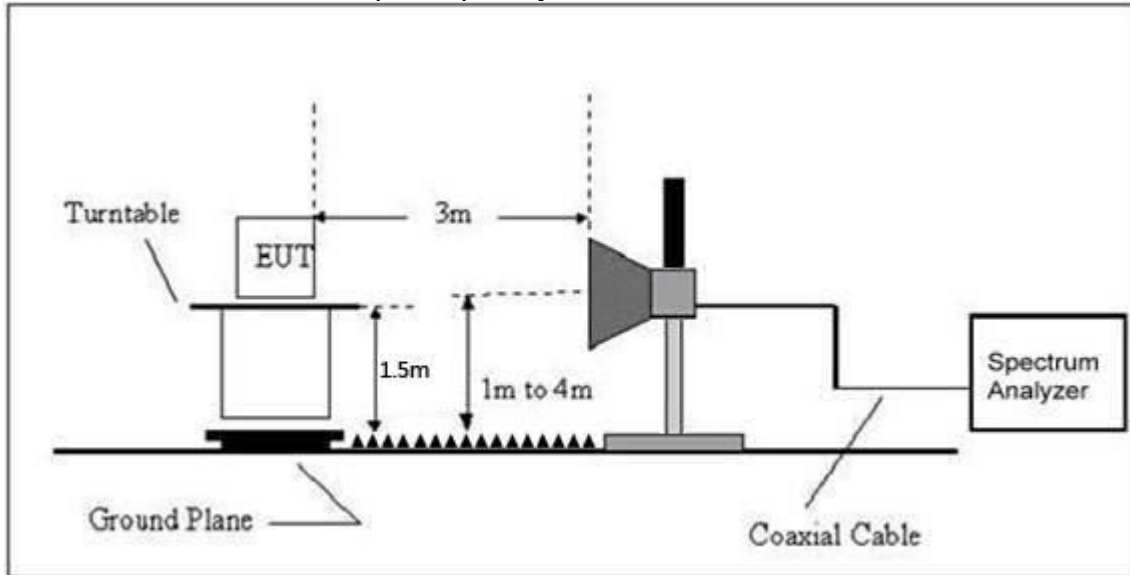
Remark:

1. Emission Level = Meter Reading + Factor,
Factor = Antenna Factor + Cable Loss – Pre-amplifier.
Over = Emission Level - Limit
2. If peak below the average limit, the average emission was no test.
3. In restricted bands of operation, The spurious emissions below the permissible value more than 20dB
4. The amplitude of spurious emissions which are attenuated by more than 20dB below the permissible value has no need to be reported.

8. RADIATED BAND EMISSION MEASUREMENT AND RESTRICTED BANDS OF OPERATION

8.1 Block Diagram Of Test Setup

Radiated Emission Test-Up Frequency Above 1GHz



8.2 Limit

FCC Part15 C Section 15.209 and 15.205

(a) Except as shown in paragraph (d) of this section, only spurious emissions are permitted in any of the frequency bands listed below:

MHz	MHz	MHz	GHz
0.090-0.110	16.42-16.423	399.9-410	4.5-5.15
0.495-0.505	16.69475-16.69525	608-614	5.35-5.46
2.1735-2.1905	16.80425-16.80475	960-1240	7.25-7.75
4.125-4.128	25.5-25.67	1300-1427	8.025-8.5
4.17725-4.17775	37.5-38.25	1435-1626.5	9.0-9.2
4.20725-4.20775	73-74.6	1645.5-1646.5	9.3-9.5
6.215-6.218	74.8-75.2	1660-1710	10.6-12.7
6.26775-6.26825	108-121.94	1718.8-1722.2	13.25-13.4
6.31175-6.31225	123-138	2200-2300	14.47-14.5
8.291-8.294	149.9-150.05	2310-2390	15.35-16.2
8.362-8.366	156.52475-156.52525	2483.5-2500	17.7-21.4
8.37625-8.38675	156.7-156.9	2690-2900	22.01-23.12
8.41425-8.41475	162.0125-167.17	3260-3267	23.6-24.0
12.29-12.293	167.72-173.2	3332-3339	31.2-31.8
12.51975-12.52025	240-285	3345.8-3358	36.43-36.5
12.57675-12.57725	322-335.4	3600-4400	(²)
13.36-13.41			

LIMITS OF RADIATED EMISSION MEASUREMENT (Above 1000MHz)

FREQUENCY (MHz)	Limit (dBuV/m) (at 3M)	
	PEAK	AVERAGE
Above 1000	74	54

Notes:

- (1)The limit for radiated test was performed according to FCC PART 15C.
- (2)The tighter limit applies at the band edges.
- (3)Emission level (dBuV/m)=20log Emission level (uV/m).

8.3 Test procedure

Receiver Parameter	Setting
Attenuation	Auto
Start Frequency	2300MHz
Stop Frequency	2520
RB / VB (emission in restricted band)	1 MHz / 1 MHz for Peak, 1 MHz / 10Hz for Average

Above 1GHz test procedure as below:

a. The EUT was placed on the top of a rotating table 1.5 meters above the ground at a 3 meter camber. The table was rotated 360 degrees to determine the position of the highest radiation.

b. The EUT was set 3 meters away from the interference-receiving antenna, which was mounted on the top of a variable-height antenna tower.

c. The antenna height is varied from one meter to four meters above the ground to determine the maximum value of the field strength. Both horizontal and vertical polarizations of the antenna are set to make the measurement.

d. For each suspected emission, the EUT was arranged to its worst case and then the antenna was tuned to heights from 1 meter to 4 meters and the rota table was turned from 0 degrees to 360 degrees to find the maximum reading.

e. The test-receiver system was set to Peak Detect Function and Specified Bandwidth with Maximum Hold Mode.

f. If the emission level of the EUT in peak mode was 10dB lower than the limit specified, then testing could be stopped and the peak values of the EUT would be reported. Otherwise the emissions that did not have 10dB margin would be re-tested one by one using peak, quasi-peak or average method as specified and then reported in a data sheet.

g. Test the EUT in the lowest channel, the Highest channel.

Note:

Both horizontal and vertical antenna polarities were tested and performed pretest to three orthogonal axis. The worst case emissions were reported.

8.4 EUT operating Conditions

The EUT was configured for testing in a typical fashion (as a customer would normally use it). The EUT has been programmed to continuously transmit during test. This operating condition was tested and used to collect the included data.

8.5 Test Result

	Polar (H/V)	Frequency (MHz)	Reading Level (dBuV/m)	Correct Factor (dB)	Measurement (dBuV/m)	Limits (dBuV/m)		Result
					PK	PK	AV	
802.11b	Low Channel 2412MHz							
	H	2390.00	57.64	-6.70	50.94	74.00	54.00	PASS
	H	2400.00	49.90	-6.71	43.19	74.00	54.00	PASS
	V	2390.00	56.75	-6.70	50.05	74.00	54.00	PASS
	V	2400.00	49.56	-6.71	42.85	74.00	54.00	PASS
	High Channel 2462MHz							
	H	2483.50	57.53	-6.79	50.74	74.00	54.00	PASS
	H	2485.00	50.45	-6.81	43.64	74.00	54.00	PASS
	V	2483.50	55.94	-6.79	49.15	74.00	54.00	PASS
	V	2485.00	48.66	-6.81	41.85	74.00	54.00	PASS
802.11g	Low Channel 2412MHz							
	H	2390.00	56.07	-6.70	49.37	74.00	54.00	PASS
	H	2400.00	47.44	-6.71	40.73	74.00	54.00	PASS
	V	2390.00	55.53	-6.70	48.83	74.00	54.00	PASS
	V	2400.00	46.92	-6.71	40.21	74.00	54.00	PASS
	High Channel 2462MHz							
	H	2483.50	55.92	-6.79	49.13	74.00	54.00	PASS
	H	2485.00	48.61	-6.81	41.80	74.00	54.00	PASS
	V	2483.50	54.17	-6.79	47.38	74.00	54.00	PASS
	V	2485.00	46.68	-6.81	39.87	74.00	54.00	PASS
Remark:								
1. Emission Level = Meter Reading + Factor, Factor = Antenna Factor + Cable Loss – Pre-amplifier. Over= Emission Level - Limit 2. If the PK measured levels comply with average limit, then the average level were deemed to comply with average limit. 3 In restricted bands of operation, The spurious emissions below the permissible value more than 20dB 4. The amplitude of spurious emissions which are attenuated by more than 20dB below the permissible value has no need to be reported.								

	Polar (H/V)	Frequency (MHz)	Reading Level (dBuV/m)	Correct Factor (dB)	Measurement (dBuV/m)	Limits (dBuV/m)		Result	
					PK	PK	AV		
802.11n20	Low Channel 2412MHz								
	H	2390.00	57.61	-6.70	50.91	74.00	54.00	PASS	
	H	2400.00	49.83	-6.71	43.12	74.00	54.00	PASS	
	V	2390.00	56.76	-6.70	50.06	74.00	54.00	PASS	
	V	2400.00	49.24	-6.71	42.53	74.00	54.00	PASS	
	High Channel 2462MHz								
	H	2483.50	56.99	-6.79	50.20	74.00	54.00	PASS	
	H	2500.00	50.05	-6.81	43.24	74.00	54.00	PASS	
	V	2483.50	55.05	-6.79	48.26	74.00	54.00	PASS	
	V	2500.00	47.21	-6.81	40.40	74.00	54.00	PASS	
	802.11n40	Low Channel 2422MHz							
		H	2390.00	57.77	-6.70	51.07	74.00	54.00	PASS
H		2400.00	49.23	-6.71	42.52	74.00	54.00	PASS	
V		2390.00	58.34	-6.70	51.64	74.00	54.00	PASS	
V		2400.00	49.90	-6.71	43.19	74.00	54.00	PASS	
High Channel 2452MHz									
H		2483.50	56.28	-6.79	49.49	74.00	54.00	PASS	
H		2500.00	49.61	-6.81	42.80	74.00	54.00	PASS	
V		2483.50	58.72	-6.79	51.93	74.00	54.00	PASS	
V		2500.00	51.37	-6.81	44.56	74.00	54.00	PASS	

Remark:

1. Emission Level = Meter Reading + Factor,
Factor = Antenna Factor + Cable Loss – Pre-amplifier.
Over= Emission Level - Limit
2. If the PK measured levels comply with average limit, then the average level were deemed to comply with average limit.
- 3 In restricted bands of operation, The spurious emissions below the permissible value more than 20dB
4. The amplitude of spurious emissions which are attenuated by more than 20dB below the permissible value has no need to be reported.

9. POWER SPECTRAL DENSITY TEST

9.1 Block Diagram Of Test Setup



9.2 Limit

FCC Part15 (15.247) , Subpart C				
Section	Test Item	Limit	Frequency Range (MHz)	Result
15.247	Power Spectral Density	8 dBm (in any 3KHz)	2400-2483.5	PASS

LIMITS OF RADIATED EMISSION MEASUREMENT (Above 1000MHz)

9.3 Test procedure

1. Set analyzer center frequency to DTS channel center frequency.
2. Set the span to 1.5 times the DTS bandwidth.
3. Set the RBW to: 3 kHz
4. Set the VBW $\geq 3 \times$ RBW.
5. Detector = peak.
6. Sweep time = auto couple.
7. Trace mode = max hold.
8. Allow trace to fully stabilize.
9. Use the peak marker function to determine the maximum amplitude level within the RBW.
10. If measured value exceeds limit, reduce RBW (no less than 3 kHz) and repeat.

9.4 EUT operating Conditions

The EUT tested system was configured as the statements of 4.6 Unless otherwise a special operating condition is specified in the follows during the testing.

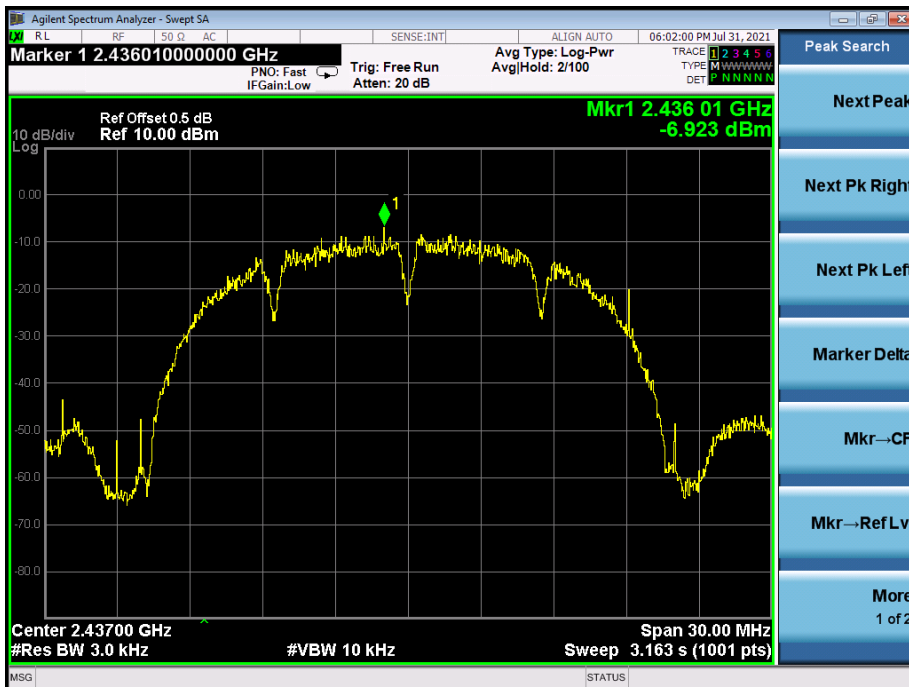
Note: Power Spectral Density(dBm)=Reading+Cable Loss

9.5 Test Result

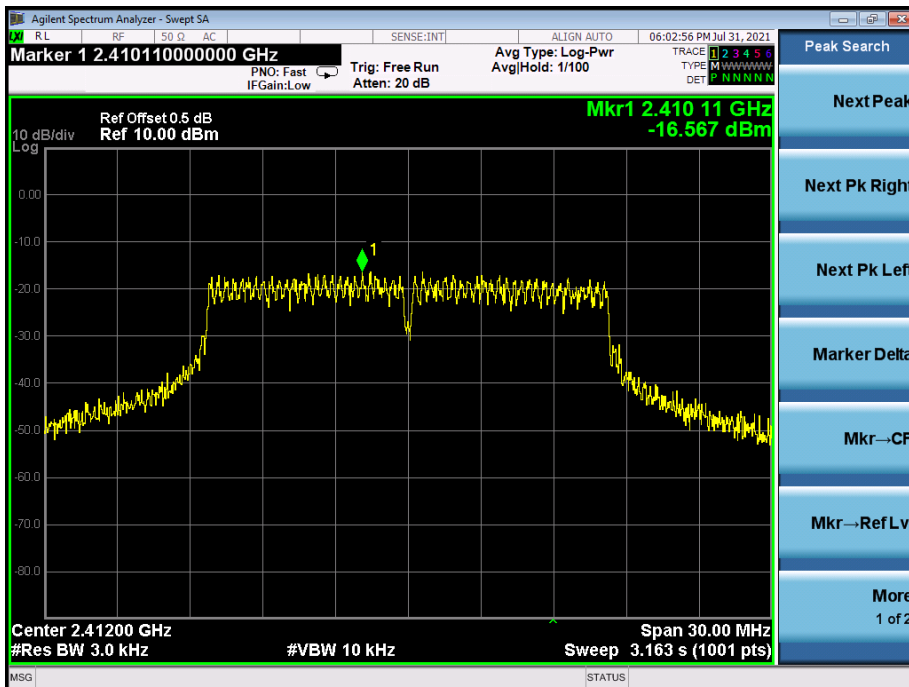
Temperature :	26°C	Relative Humidity :	54%
Pressure :	101kPa	Test Voltage :	AC120V/60Hz

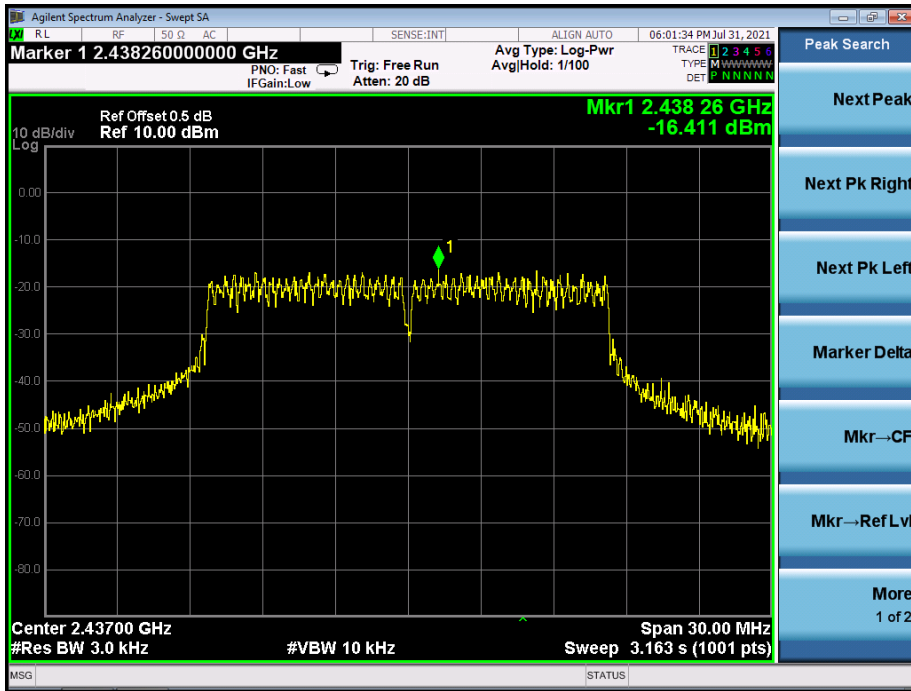
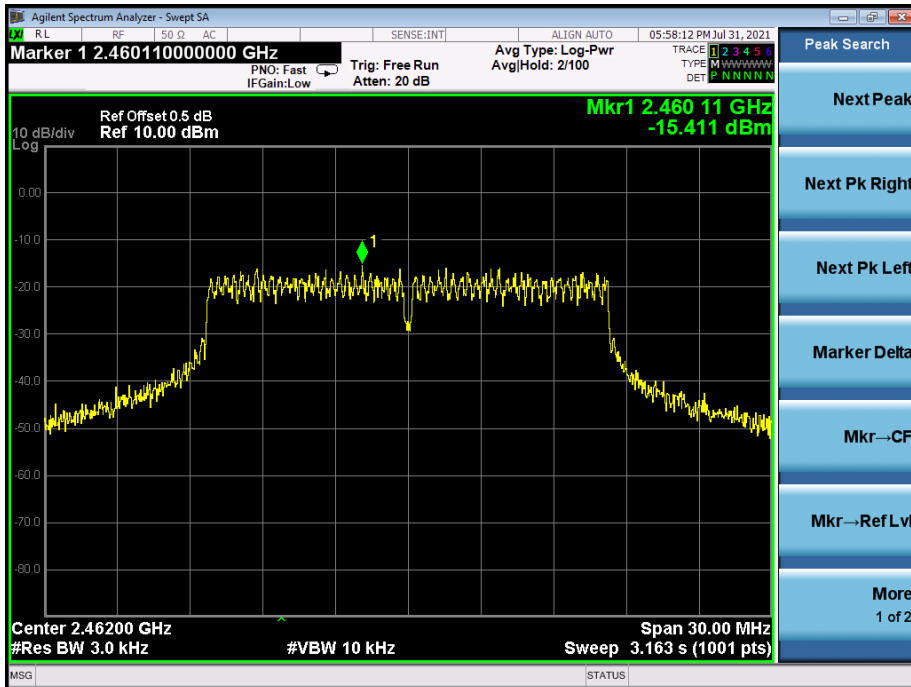
Test Mode	Frequency	Power Spectral Density(dBm/3kHz)	Limit (dBm/3kHz)	Result
TX b Mode	2412 MHz	-5.959	8	PASS
	2437 MHz	-6.923	8	PASS
	2462 MHz	-8.057	8	PASS
TX g Mode	2412 MHz	-16.567	8	PASS
	2437 MHz	-16.411	8	PASS
	2462 MHz	-15.411	8	PASS
TX n Mode(20M)	2412 MHz	-17.482	8	PASS
	2437 MHz	-17.798	8	PASS
	2462 MHz	-16.695	8	PASS
TX n Mode(40M)	2422 MHz	-18.370	8	PASS
	2437 MHz	-21.865	8	PASS
	2452 MHz	-20.929	8	PASS

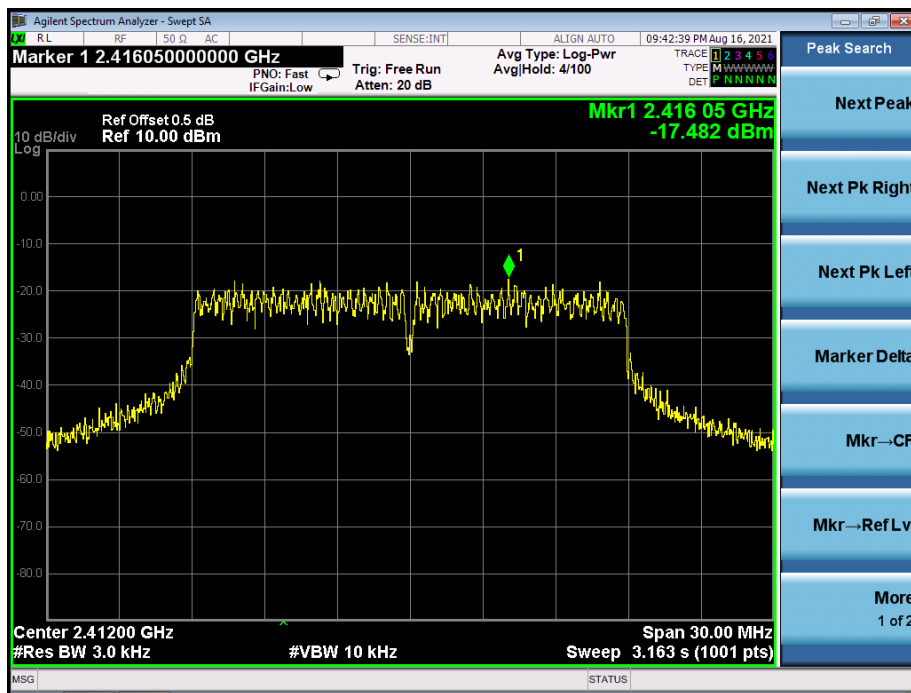
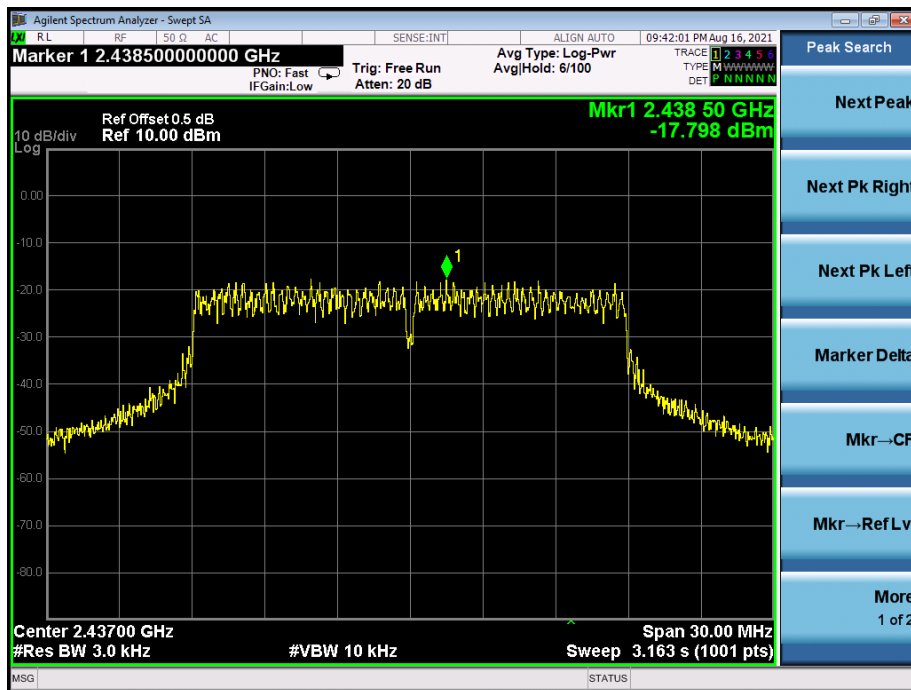
TX b CH01

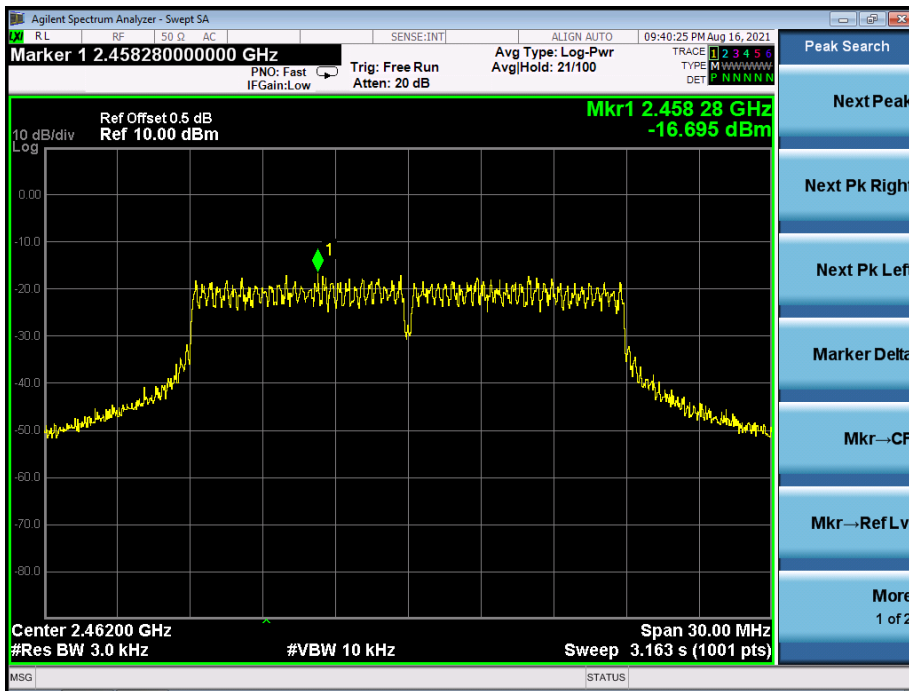
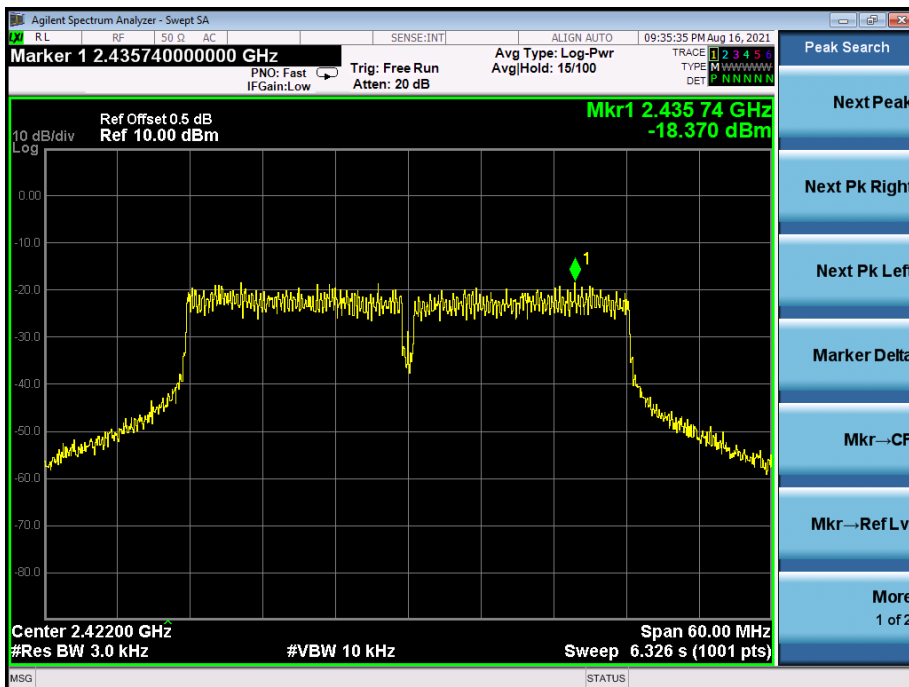
TX b CH06


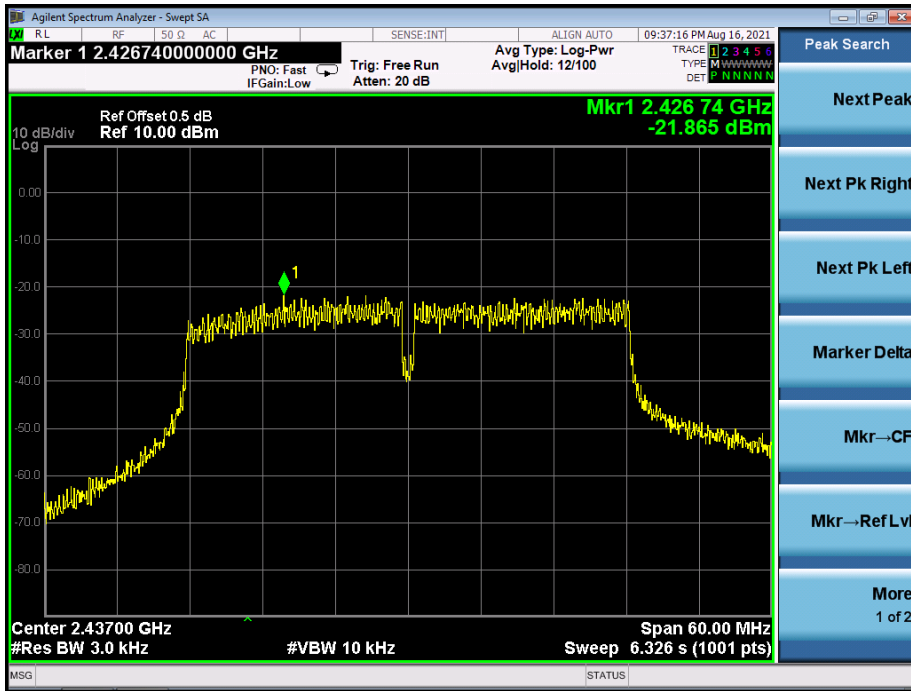
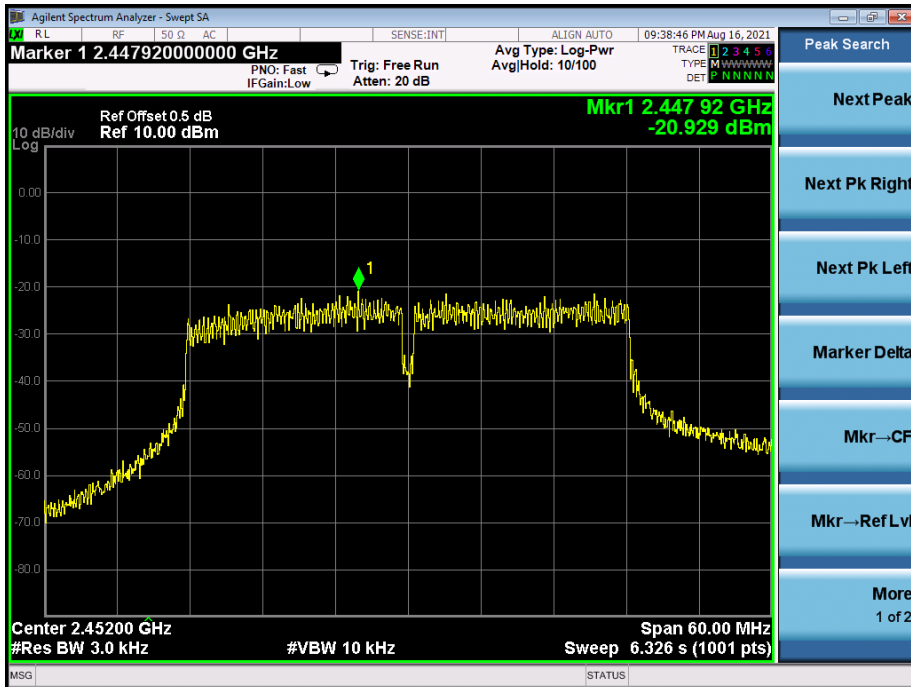
TX b CH11

TX g CH01


TX g CH06

TX g CH11


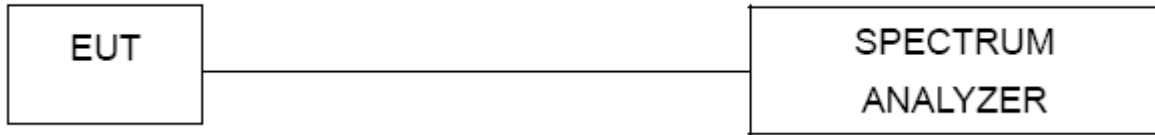
TX n20 CH01

TX n20 CH06


TX n20 CH11

TX n40 CH03


TX n40 CH06

TX n40 CH09


10. BANDWIDTH TEST

10.1 Block Diagram Of Test Setup



10.2 Limit

FCC Part15 (15.247) , Subpart C				
Section	Test Item	Limit	Frequency Range (MHz)	Result
15.247(a)(2)	Bandwidth	$\geq 500\text{KHz}$ (6dB bandwidth)	2400-2483.5	PASS

10.3 Test procedure

1. Set RBW = 100 kHz.
2. Set the video bandwidth (VBW) $\geq 3 \times$ RBW.
3. Detector = Peak.
4. Trace mode = max hold.
5. Sweep = auto couple.
6. Allow the trace to stabilize.
7. Measure the maximum width of the emission that is constrained by the frequencies associated with the two outermost amplitude points (upper and lower frequencies) that are attenuated by 6 dB relative to the maximum level measured in the fundamental emission.

10.4 EUT operating Conditions

The EUT tested system was configured as the statements of 4.6 Unless otherwise a special operating condition is specified in the follows during the testing.

Note: Power Spectral Density(dBm)=Reading+Cable Loss

10.5 Test Result

Temperature :	26°C	Relative Humidity :	54%
Pressure :	101kPa	Test Voltage :	AC120V/60Hz
Test Mode :	TX b Mode		

Frequency (MHz)	6dB bandwidth (MHz)	Limit (kHz)	Result
2412	12.12	500	Pass
2437	12.57	500	Pass
2462	13.03	500	Pass

TX CH 01

