



## AC Power Supply

Valid for:

PS4655

PS4665

P2420

**Please Note:**

Any responsibility or liability for loss or damage in connection with the use of this product and the accompanying documentation is disclaimed. The information in this quick guide is furnished for informational use only, is subject to change without notice, may contain errors or inaccuracies, and represents no commitment whatsoever. This agreement is governed by the laws of Denmark.

## CONTENTS

### AC POWER SUPPLY

<b>1</b>	<b>INTRODUCTION</b>	<b>1-1</b>
1.1	GENERAL DESCRIPTION	1-1
1.2	TECHNICAL DATA	1-1
<b>2</b>	<b>TECHNICAL DESCRIPTION</b>	<b>2-1</b>
2.1	PRINCIPLE OF OPERATION	2-1
<b>3</b>	<b>INSTALLATION</b>	<b>3-1</b>
3.1	OUTLINE AND DIMENSIONS	3-1
3.2	MOUNTING POSSIBILITIES	3-1
3.3	INSTALLATION WIRING	3-2
3.4	BLOCK DIAGRAM	3-3
3.5	AC SUPPLY VOLTAGE SETTING	3-4
3.6	CONNECTIONS	3-4
<b>4</b>	<b>SCHEMATIC DIAGRAM AND COMPONENT LOCATION</b>	<b>4-1</b>
4.1	POWER SUPPLY UNIT	4-1
<b>5</b>	<b>PARTS LIST</b>	<b>5-1</b>
<b>6</b>	<b>ACCESSORIES INCLUDED</b>	<b>6-1</b>



## AC POWER SUPPLY

### 1 INTRODUCTION

#### 1.1 GENERAL DESCRIPTION

The AC Power Supply is designed as a stand alone automatic AC Power Supply with automatic switch-over to 24V battery supply.

The AC Power Supply is designed with four separately fused output lines to ensure independent supply for connected equipment.

Furthermore AC Power Supply includes the following features:

- 115V/230V selectable input.
- Encapsulation class IP22.
- Galvanic isolated AC alarm output.
- Protected Battery monitoring output.
- Easy connection.
- Easy access to fuses.
- Vertical or horizontal mounting.
- IEC 945 approved.

#### 1.2 TECHNICAL DATA

AC input voltages:	115V, range 88V - 132V or 230V, range 176V - 264V. Manual setting.
AC input frequency:	50/60 Hz $\pm$ 6%
DC output voltage:	29V $\pm$ 0.5V.
DC output current:	13A continuous. 17A for 15 minutes. 25A for 1 minute. Duty-cycle 10%.
Battery monitoring:	Protected output.
AC failure output:	Relay contacts 5-50mA, 10-32V. Closed in alarm condition. Alarm in case of AC supply failure.
Protection:	The AC Power Supply output is current limited and protected against short circuit, over voltage and over temperature.
Operating temperature:	- 20° to + 55° C.
Dimensions:	HxWxD: 110x370x260 mm.
Weight:	Approx. 5 kg.
Compass safe distance:	Standard: 1.4 m. Steering: 1.0 m



## **2 TECHNICAL DESCRIPTION**

### **2.1 PRINCIPLE OF OPERATION**

The AC Power Supply contains an input filter followed by a rectifier (230V)/voltage doubler (115V) circuit producing an unregulated DC voltage which is converted to 29V in a push-pull converter. A regulator optically isolated from the driver circuit then adjusts the output into a constant voltage. The output DC voltage is galvanically isolated from the input and the chassis (ground). The four DC outputs are connected to the battery using it as source if an AC line failure or failure in the unit occurs. As the AC line recovers the AC Power Supply is again source for the four DC outputs. This sequence is controlled by the switch over circuit.

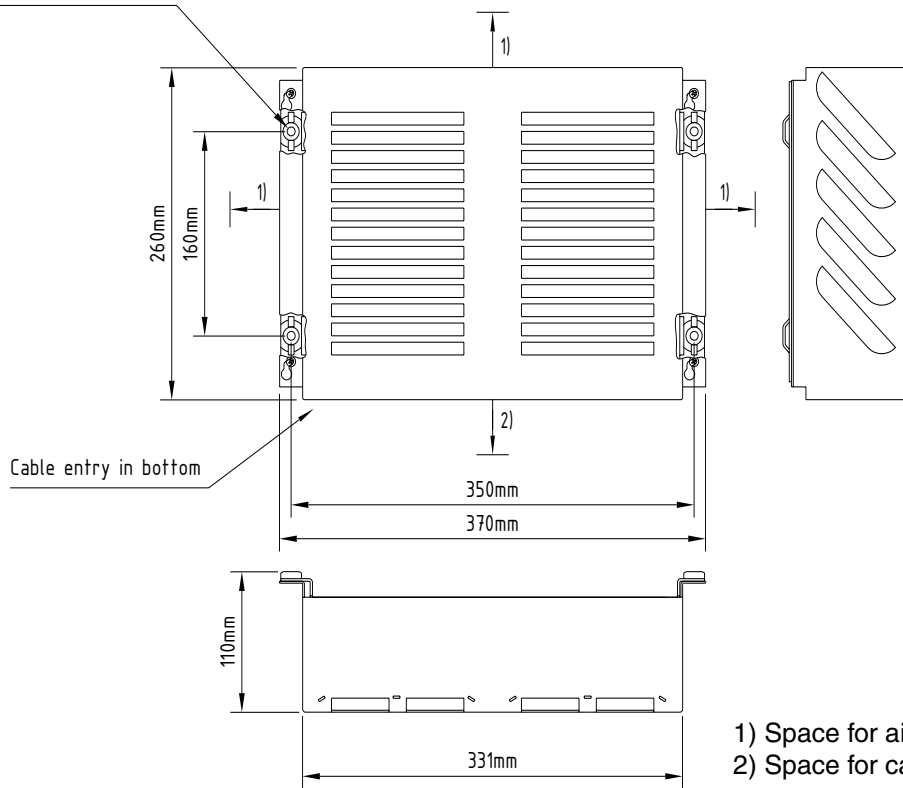




### 3 INSTALLATION

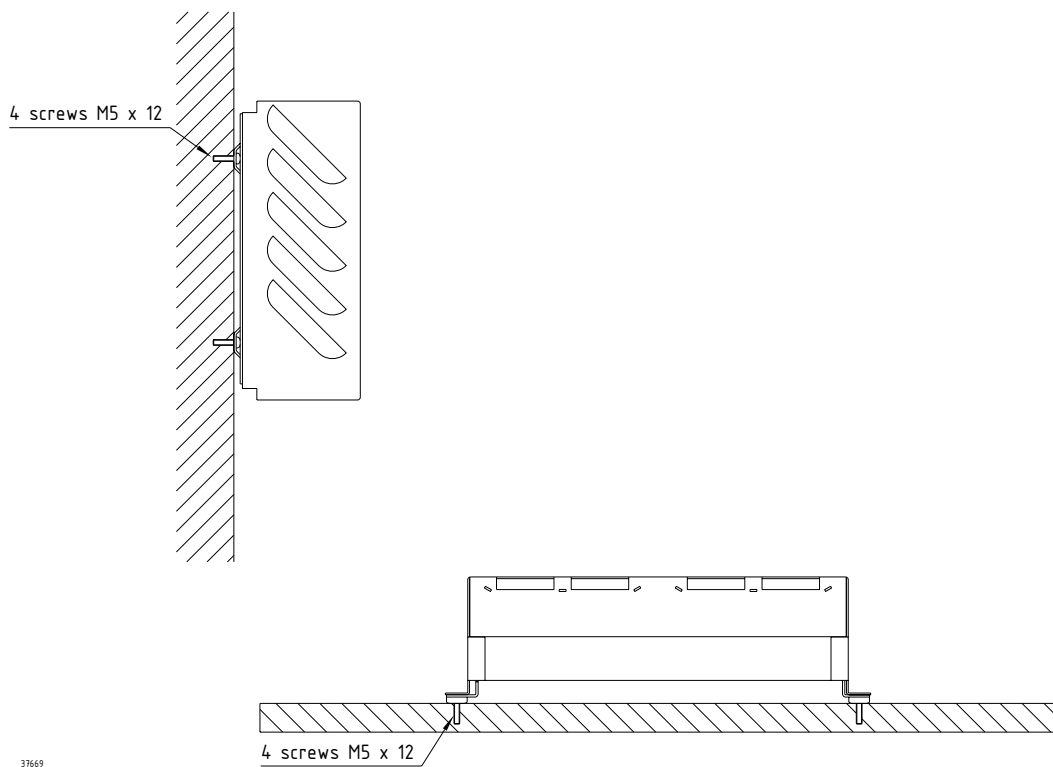
#### 3.1 OUTLINE AND DIMENSIONS

Mounting, 4 holes  $\varnothing 7\text{mm}$



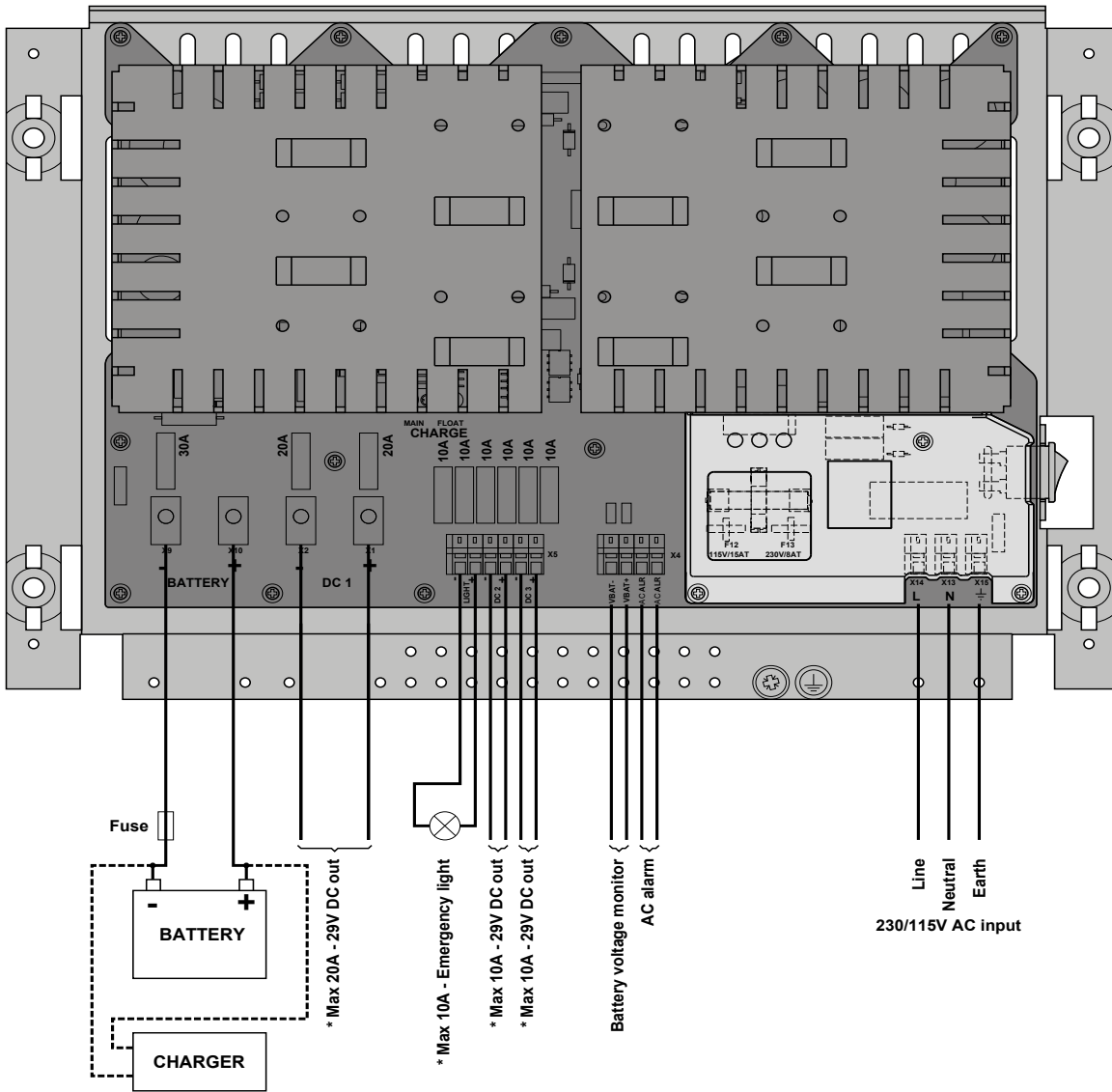
37670

#### 3.2 MOUNTING POSSIBILITIES



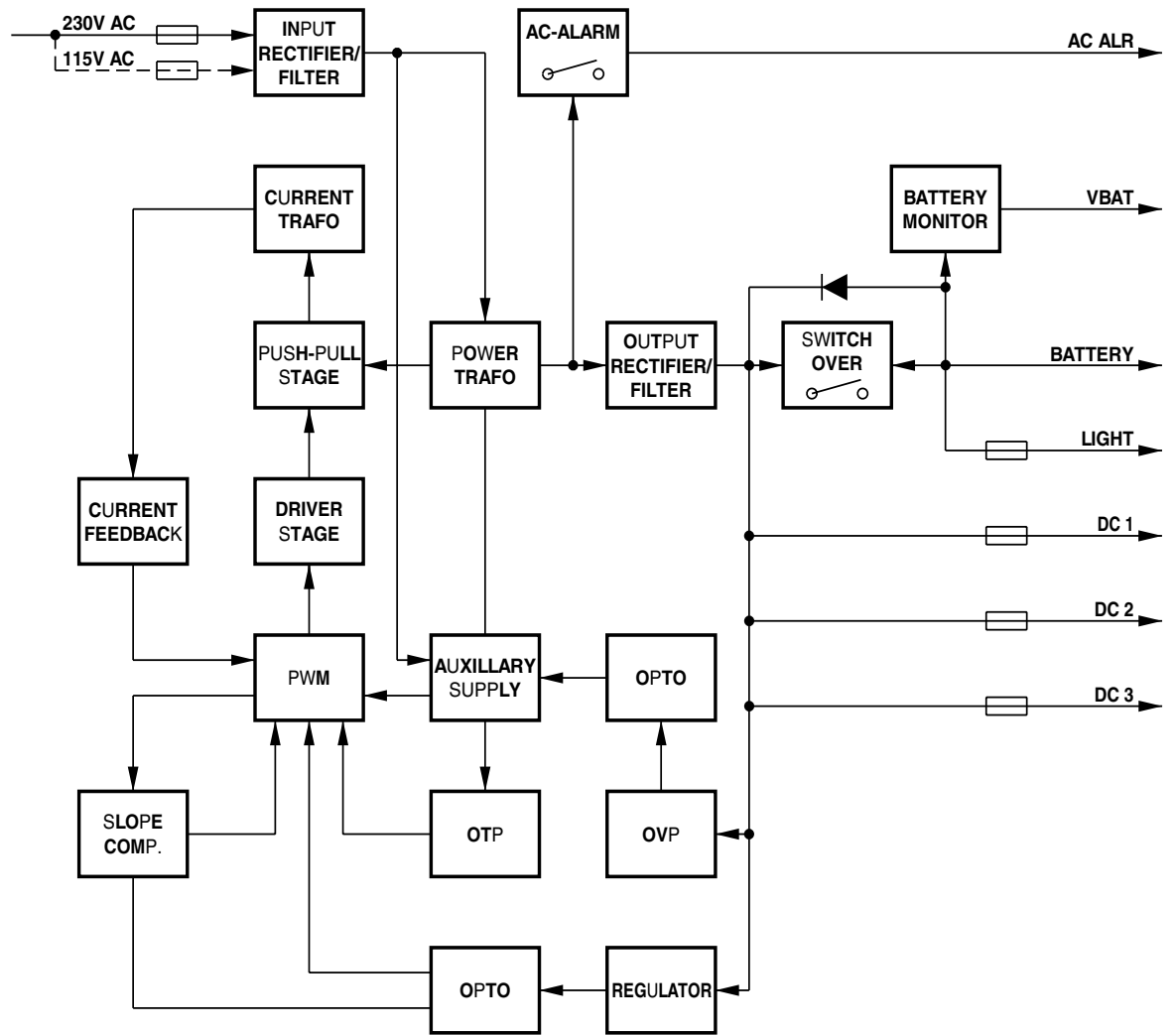
37669

3.3 INSTALLATION WIRING



37594

3.4 BLOCK DIAGRAM



37671

### 3.5 AC SUPPLY VOLTAGE SETTING

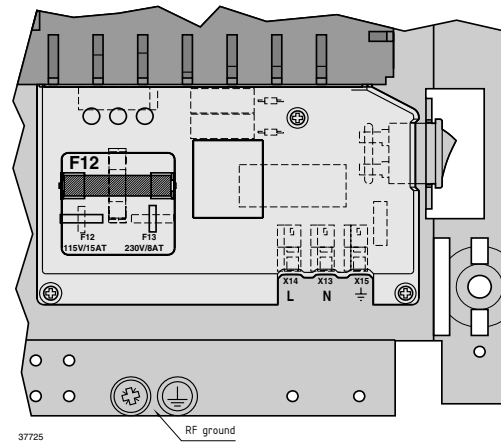
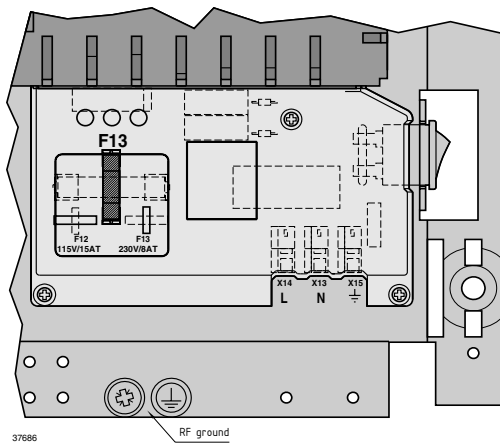
Before connecting the AC Power Supply to the AC mains, check that the AC Power Supply is set to the correct voltage and that the fuse rating corresponds to the setting used.

The voltage setting is selected by changing the fuse located under the front cover. The equipment is normally set to 230V. To select a different voltage insert the appropriate fuse.

**Take care that the power is switched off before changing the fuse.**

Fuse setting for 230V

Fuse setting for 115V



Setting	Voltage range	Fuse rating
230V	176 - 264V	F13 - 8AT

Setting	Voltage range	Fuse rating
115V	88 - 132V	F12 - 15AT

**Caution:**

Incorrect setting of the mains voltage may damage the AC Power Supply assembly.

### 3.6 CONNECTIONS

#### AC INPUT

The AC supply leads are connected to the terminal block as indicated. Screened power supply cable may be used as required by some administrations. The cable is fastened and the screen connected by a cable clamp on the main chassis below the terminal block.

Terminal	Designation	Description
X13	N	Neutral
X14	L	Line
X15	⏏	Protective Earth

Recommended cable type: 3 x 1.5 mm<sup>2</sup> screened.

**BATTERY**

The battery is connected to the battery terminals located to the left on the connection area. It is recommended to have fuses at the battery. The cable dimension depends on current consumption and permissible voltage drop in the cable.

The table below shows the necessary cable cross section for a voltage drop of 0.6V at 25A and external fuse ratings.

Max. cable length to battery	Recommended Screened multiwire	External fuses
7 metres	2 x 10 mm <sup>2</sup>	40A
11 metres	2 x 16 mm <sup>2</sup>	50A
17 metres	2 x 25 mm <sup>2</sup>	63A

Terminal	Designation	Description
X9	BATTERY -	Input from Battery
X10	BATTERY +	

**OUTPUTS**

Terminal	Designation	Description
X1	DC 1 +	29V DC or Battery voltage in case of AC supply failure
X2	DC 1 -	

Terminal	Designation	Description
X5 - 1	LIGHT -	Emergency Light connected to Battery Voltage
X5 - 2	LIGHT +	

Terminal	Designation	Description
X5 - 3	DC 2 -	29V DC or Battery voltage in case of AC supply failure.
X5 - 4	DC 2 +	


Terminal	Designation	Description
X5 - 5	DC 3 -	29V DC or Battery voltage in case of AC supply failure.
X5 - 6	DC 3 +	

Terminal	Designation	Description
X4 - 1	VBAT -	Protected Battery monitor output.
X4 - 2	VBAT +	

Terminal	Designation	Description
X4 - 3	AC ALR	Galvanically isolated AC alarm output. Relay contacts 5 - 50mA, 10 - 32V. Closed in alarm condition. Alarm in case of AC supply failure.
X4 - 4	AC ALR	

**RF GROUND TERMINAL**

The RF ground terminal is placed to the right on the cable-clamping bar.

Terminal	Designation	Description
	RF ground	Grounding screw for cable lug.

RF grounding requires special attention. Each equipment should have its own individual low-inductance earth connection.

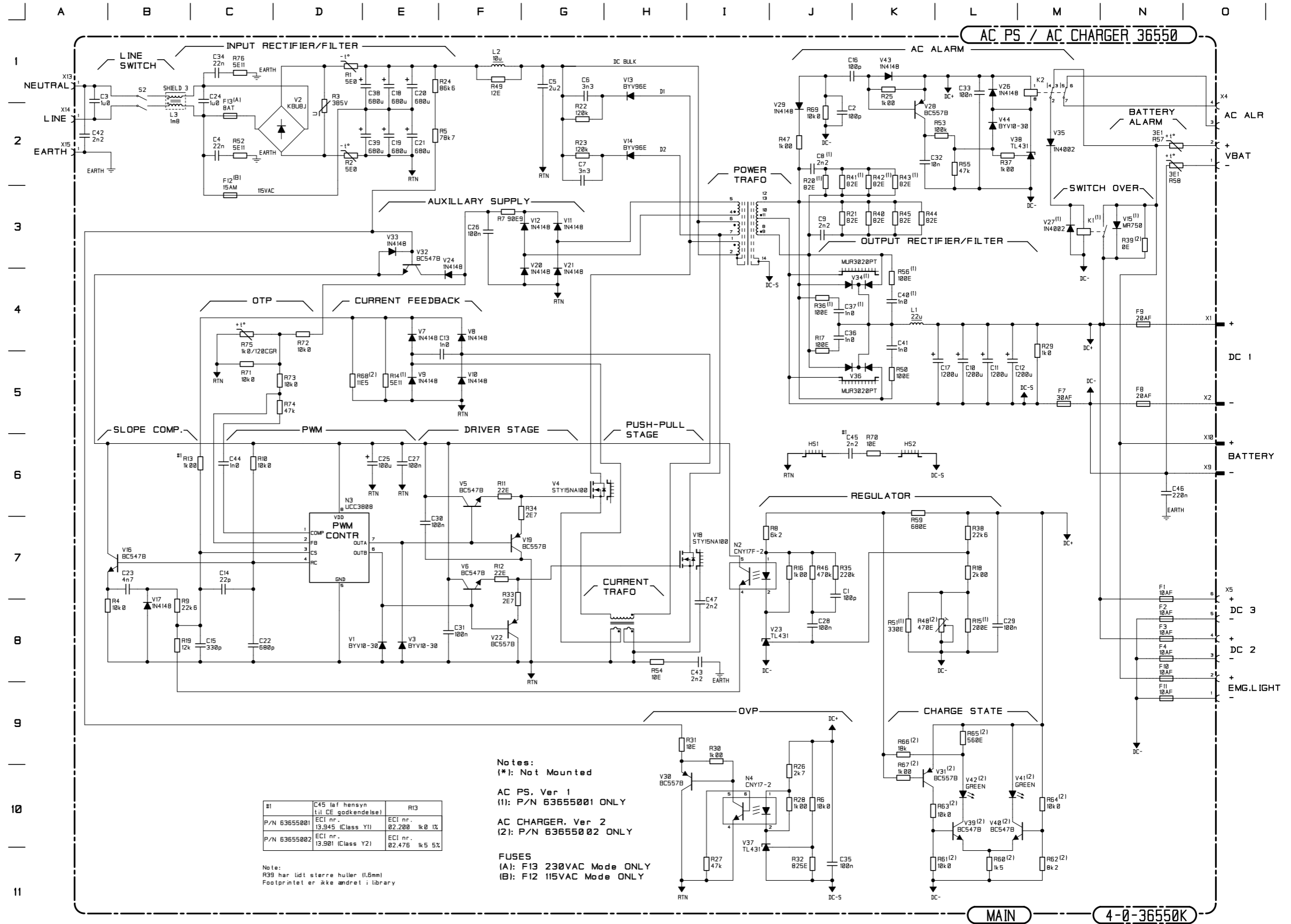
**CABLE SCREEN**

The cable screen of each cable should be connected to the cable-clamping bar.

### 4 SCHEMATIC DIAGRAM AND COMPONENT LOCATION

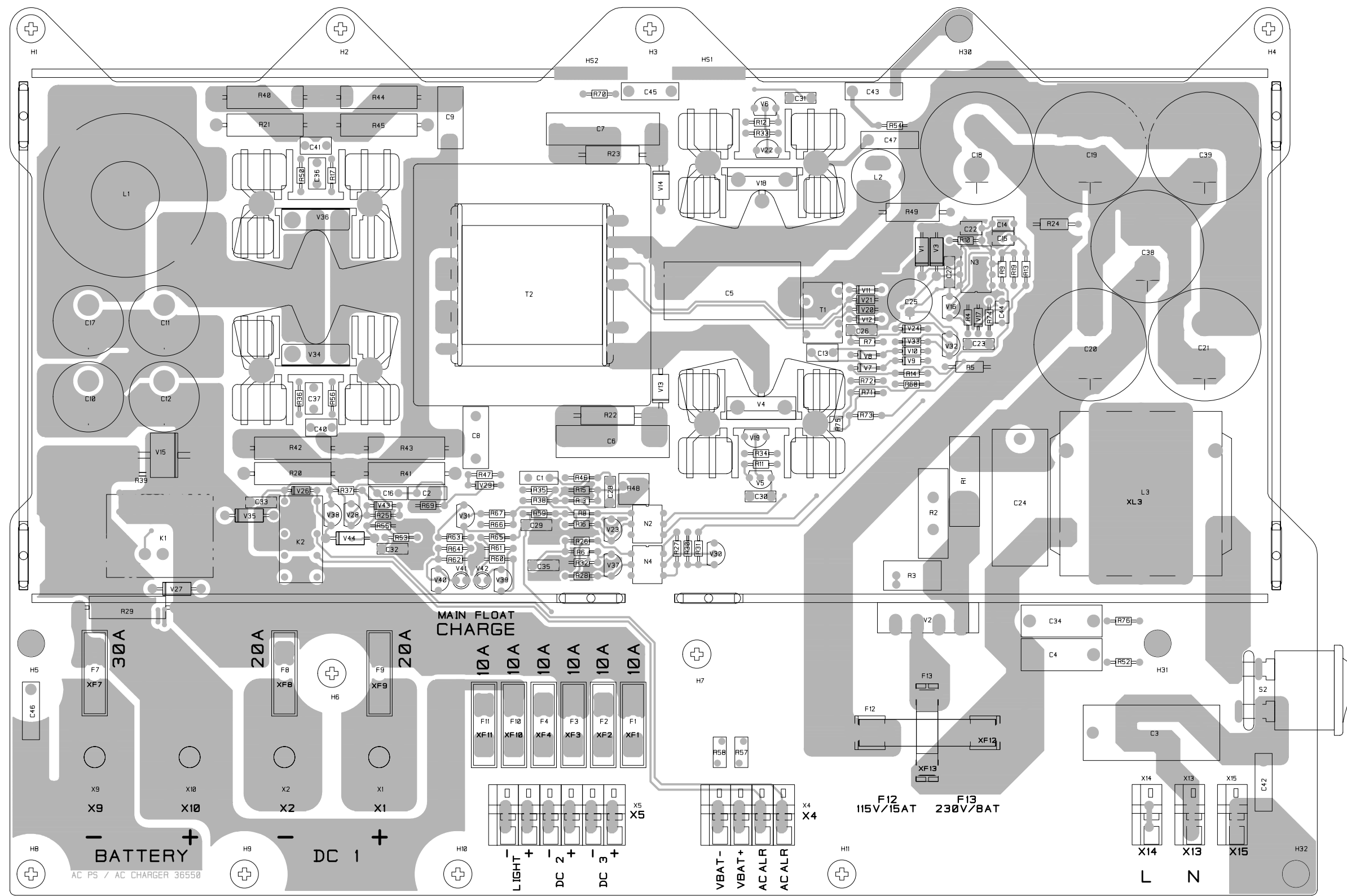
#### 4.1 POWER SUPPLY UNIT

#### SCHEMATIC DIAGRAM



This diagram is valid for PCB 36550K

COMPONENT LOCATION



Not mounted components;  
 R39, R48, R60, R61, R62, R63,  
 R64, R65, R66, R67, R68,  
 V31, V39, V40, V41, V42

Seen from component side with upper side tracks  
 PCB rev. 36550D



## 5 PARTS LIST

AC Power Supply		T&T	5-6-36550D/4-0-36550D	63655001
POSITION	DESCRIPTION	MANUFACTURER	TYPE	PART NO.
C1	CAPACITOR CERAMIC 100pF 5% NPO 50VDC	KCK	RT-HE80 SK CH 101 J	15.136
C2	CAPACITOR CERAMIC 100pF 5% NPO 50VDC	KCK	RT-HE80 SK CH 101 J	15.136
C3	CAPACITOR CLASS X2 1u0F 20% 275VAC	PHILIPS	2222 336 23105(24105)	13.931
C4	CAPACITOR CLASS Y2 22nF 20% 250VAC	PHILIPS	2222 336 60223 (61223)	13.908
C5	CAPACITOR MKT 2u2F 20% 400VDC	ARCOTRONICS	R60 M R 4220 CK M	11.200
C6	CAPACITOR KP 3n3F 5% 1600VDC	PHILIPS	2222 376 95332	13.326
C7	CAPACITOR KP 3n3F 5% 1600VDC	PHILIPS	2222 376 95332	13.326
C8	CAPACITOR MKP 2n2F 10% 630VDC	PHILIPS	2222 375 10222 (12222)	13.403
C9	CAPACITOR MKP 2n2F 10% 630VDC	PHILIPS	2222 375 10222 (12222)	13.403
C10	CAPACITOR ELECTROLYTIC 1m2F 20% 50VDC	NICHICON	UPL1H122MHH	14.721
C11	CAPACITOR ELECTROLYTIC 1m2F 20% 50VDC	NICHICON	UPL1H122MHH	14.721
C12	CAPACITOR ELECTROLYTIC 1m2F 20% 50VDC	NICHICON	UPL1H122MHH	14.721
C13	CAPACITOR CERAMIC 1n0F 10% CL2 500VDC	KCK	RT-HM60 SK YB 102 K	15.160
C14	CAPACITOR CERAMIC 22pF 5% NP0 50VDC	PHILIPS	2252 305 12 229	16.667
C15	CAPACITOR CERAMIC 330pF 5% NP0 50VDC	PHILIPS	2252 305 12 331	16.681
C16	CAPACITOR CERAMIC 100pF 5% NPO 50VDC	KCK	RT-HE80 SK CH 101 J	15.136
C17	CAPACITOR ELECTROLYTIC 1m2F 20% 50VDC	NICHICON	UPL1H122MHH	14.721
C18	CAPACITOR ELECTROLYTIC 680uF 20% 200VDC	PANASONIC	ECEC 2D A 681 C B	14.793
C19	CAPACITOR ELECTROLYTIC 680uF 20% 200VDC	PANASONIC	ECEC 2D A 681 C B	14.793
C20	CAPACITOR ELECTROLYTIC 680uF 20% 200VDC	PANASONIC	ECEC 2D A 681 C B	14.793
C21	CAPACITOR ELECTROLYTIC 680uF 20% 200VDC	PANASONIC	ECEC 2D A 681 C B	14.793
C22	CAPACITOR CERAMIC 680pF 5% NP0 50VDC	PHILIPS	2252 305 12 681	16.685
C23	CAPACITOR MKT 4n7F 10% 63VDC	BC Components	2222 370 35472	11.374
C24	CAPACITOR CLASS X2 1u0F 20% 275VAC	PHILIPS	2222 336 23105(24105)	13.931
C25	ELECTROLYTIC CAPACITOR 100uF 20% 50VDC	ELNA	RJJ 50V 101 M H4 T2	14.653
C26	CAPACITOR MKT 100nF 10% 63VDC	BC Components	2222 370 75104 (78104)	11.136
C27	CAPACITOR MKT 100nF 10% 63VDC	BC Components	2222 370 75104 (78104)	11.136
C28	CAPACITOR MKT 100nF 10% 63VDC	BC Components	2222 370 75104 (78104)	11.136
C29	CAPACITOR MKT 100nF 10% 63VDC	BC Components	2222 370 75104 (78104)	11.136
C30	CAPACITOR MKT 100nF 10% 63VDC	BC Components	2222 370 75104 (78104)	11.136
C31	CAPACITOR MKT 100nF 10% 63VDC	BC Components	2222 370 75104 (78104)	11.136
C32	CAPACITOR MKT 10nF 5% 63VDC	BC Components	2222 370 36103	11.134
C33	CAPACITOR MKT 100nF 10% 63VDC	BC Components	2222 370 75104 (78104)	11.136
C34	CAPACITOR CLASS Y2 22nF 20% 250VAC	PHILIPS	2222 336 60223 (61223)	13.908
C35	CAPACITOR MKT 100nF 10% 63VDC	BC Components	2222 370 75104 (78104)	11.136
C36	CAPACITOR CERAMIC 1n0F 10% CL2 500VDC	KCK	RT-HM60 SK YB 102 K	15.160
C37	CAPACITOR CERAMIC 1n0F 10% CL2 500VDC	KCK	RT-HM60 SK YB 102 K	15.160
C38	CAPACITOR ELECTROLYTIC 680uF 20% 200VDC	PANASONIC	ECEC 2D A 681 C B	14.793
C39	CAPACITOR ELECTROLYTIC 680uF 20% 200VDC	PANASONIC	ECEC 2D A 681 C B	14.793
C40	CAPACITOR CERAMIC 1n0F 10% CL2 500VDC	KCK	RT-HM60 SK YB 102 K	15.160
C41	CAPACITOR CERAMIC 1n0F 10% CL2 500VDC	KCK	RT-HM60 SK YB 102 K	15.160
C42	CAPACITOR CLASS Y2 2n2F 20% 250VAC	BC Components	2222 336 63222 (64222)	13.901
C43	CAPACITOR CLASS Y2 2n2F 20% 250VAC	BC Components	2222 336 63222 (64222)	13.901
C44	CAPACITOR CERAMIC 1n0F 5% NP0 50VDC	PHILIPS	2252 305 12 102	16.687
C45	CAPACITOR CLASS Y2 2n2F 20% 250VAC	BC Components	2222 336 63222 (64222)	13.901
C46	CAPACITOR CLASS Y2 2n2F 20% 250VAC	BC Components	2222 336 63222 (64222)	13.901
C47	CAPACITOR CLASS Y2 2n2F 20% 250VAC	BC Components	2222 336 63222 (64222)	13.901
F1	ATO BLADE FUSE 10AF RED COLOURED RED	LITTELFUSE	257010	45.663
F2	ATO BLADE FUSE 10AF RED COLOURED RED	LITTELFUSE	257010	45.663
F3	ATO BLADE FUSE 10AF RED COLOURED RED	LITTELFUSE	257010	45.663
F4	ATO BLADE FUSE 10AF RED COLOURED RED	LITTELFUSE	257010	45.663
F7	ATO BLADE FUSE 30AF COLOURED GREEN	LITTELFUSE	257030	45.667
F8	ATO BLADE FUSE 20AF COLOURED YELLOW	LITTELFUSE	257020	45.665
F9	ATO BLADE FUSE 20AF COLOURED YELLOW	LITTELFUSE	257020	45.665
F10	ATO BLADE FUSE 10AF RED COLOURED RED	LITTELFUSE	257010	45.663
F11	ATO BLADE FUSE 10AF RED COLOURED RED	LITTELFUSE	257010	45.663
F12	FUSE 15AM Ø6.3x32mm	LITTELFUSE	311015	45.630
F13	FUSE 8AT 250V 5x20mm	ELU	179 120 8AT	45.519
HS1	Cooling chassis PS4655 / CH4656 / CH4657	T&T	1-2-36892E	236892
HS2	Cooling chassis PS4655 / CH4656 / CH4657	T&T	1-2-36892E	236892
K1	RELAY SPST 24VDC/50A PCB VERSION	SIEMENS	V23071-A1010-A132	21.028
K2	RELAY DPDT 24VDC/1ADC	MEISEI	M4-24H	78000044
L1	Choke fixed toroidal 22uH/25ADC 8%	FLUX	FT 12300031-1	20.238
L2	CHOKE FIXED 10uH 20%/5ADC	SUMIDA	RCH-110 100M	74011007
L3	Choke Dual 2x1.8mH/10DAC	THAI LIN	TL85-100-182	20.056
N2	OPTOCOUPLER IC/IF 63-125% CNY17F-2	SIEMENS	CNY17F-2	32.534
N3	PWM Controller, L.Pow. Curr.Mode, UCC3808-1	UNITRODE	UCC3808N-1	31.179
N4	OPTO COUPLER CNY17-2	SIEMENS	CNY17-2	32.530
R1	RESISTOR NTC 5 OHM 20% 8.5A	SIEMENS	B57364-S509-M55	07.305
R2	RESISTOR NTC 5 OHM 20% 8.5A	SIEMENS	B57364-S509-M55	07.305
R3	RESISTOR VDR 385V 10%	PHILIPS	2322 594 53816 (03817)	06.507
R4	RESISTOR MF 10k0 OHM 1% 0.25W	PHILIPS	2322 157 11003	02.235
R5	RESISTOR MF. 78k7 OHM 1% 0.6W	PHILIPS	2322 156 17873	03.242
R6	RESISTOR MF 10k0 OHM 1% 0.25W	PHILIPS	2322 157 11003	02.235
R7	RESISTOR MF. 90R9 1% 0.25W	PHILIPS	2322 157 19099 (29099)	02.246

POSITION	DESCRIPTION	MANUFACTURER	TYPE	PART NO.
R8	RESISTOR MF 6k2 OHM 5% 0.33W	PHILIPS	2322 187 73622	02.491
R9	RESISTOR MF. 22k6 1% 0.25W	PHILIPS	157 12263 (22263)	02.253
R10	RESISTOR MF 10k0 OHM 1% 0.25W	PHILIPS	2322 157 11003	02.235
R11	RESISTOR MF 22 OHM 5% 0.33W	PHILIPS	2322 187 73229	02.432
R12	RESISTOR MF 22 OHM 5% 0.33W	PHILIPS	2322 187 73229	02.432
R13	RESISTOR MF 1k00 OHM 1% 0.25W	PHILIPS	2322 157 11002	02.200
R14	RESISTOR MF. 5R11 1% 0.25W	PHILIPS	2322 157 15118 (25118)	02.242
R15	RESISTOR MF 215 OHM 1% 0.25W	PHILIPS	2322 157 12151	02.212
R16	RESISTOR MF 1k00 OHM 1% 0.25W	PHILIPS	2322 157 11002	02.200
R17	RESISTOR MF 100 OHM 5% 0.33W	PHILIPS	2322 187 73101	02.448
R18	RESISTOR MF. 2k00 1% 0.25W	PHILIPS	2322 157 12002 (22002)	02.250
R19	RESISTOR MF 12k OHM 5% 0.33W	PHILIPS	2322 187 73123	02.498
R20	RESISTOR PMF 82 OHM 5% 3W	PHILIPS	2322 195 13829	04.672
R21	RESISTOR PMF 82 OHM 5% 3W	PHILIPS	2322 195 13829	04.672
R22	RESISTOR PMF 120k OHM 5% 2W	PHILIPS	2322 194 13124	04.236
R23	RESISTOR PMF 120k OHM 5% 2W	PHILIPS	2322 194 13124	04.236
R24	RESISTOR MF. 86k6 OHM 1% 0.6W	PHILIPS	2322 156 18663	03.244
R25	RESISTOR MF 1k00 OHM 1% 0.25W	PHILIPS	2322 157 11002	02.200
R26	RESISTOR MF 2k7 OHM 5% 0.33W	PHILIPS	2322 187 73272	02.482
R27	RESISTOR MF 47k OHM 5% 0.33W	PHILIPS	2322 187 73473	02.512
R28	RESISTOR MF 1k00 OHM 1% 0.25W	PHILIPS	2322 157 11002	02.200
R29	RESISTOR PMF 1k0 OHM 5% 3W	PHILIPS	2322 195 13102	04.699
R30	RESISTOR MF 1k00 OHM 1% 0.25W	PHILIPS	2322 157 11002	02.200
R31	RESISTOR MF 10 OHM 5% 0.33W	PHILIPS	2322 187 73109	02.424
R32	RESISTOR MF 825 OHM 1% 0.25W	PHILIPS	2322 157 18251	02.224
R33	RESISTOR MF 2R7 OHM 5% 0.33W	PHILIPS	2322 187 73278	02.410
R34	RESISTOR MF 2R7 OHM 5% 0.33W	PHILIPS	2322 187 73278	02.410
R35	RESISTOR MF 220k OHM 5% 0.33W	PHILIPS	2322 187 73224	02.528
R36	RESISTOR MF 100 OHM 5% 0.33W	PHILIPS	2322 187 73101	02.448
R37	RESISTOR MF 1k00 OHM 1% 0.25W	PHILIPS	2322 157 11002	02.200
R38	RESISTOR MF. 22k6 1% 0.25W	PHILIPS	2322 157 12263 (22263)	02.253
R39	Not used			
R40	RESISTOR PMF 82 OHM 5% 3W	PHILIPS	2322 195 13829	04.672
R41	RESISTOR PMF 82 OHM 5% 3W	PHILIPS	2322 195 13829	04.672
R42	RESISTOR PMF 82 OHM 5% 3W	PHILIPS	2322 195 13829	04.672
R43	RESISTOR PMF 82 OHM 5% 3W	PHILIPS	2322 195 13829	04.672
R44	RESISTOR PMF 82 OHM 5% 3W	PHILIPS	2322 195 13829	04.672
R45	RESISTOR PMF 82 OHM 5% 3W	PHILIPS	2322 195 13829	04.672
R46	RESISTOR MF 470k OHM 5% 0.33W	PHILIPS	2322 187 73474	02.536
R47	RESISTOR MF 1k00 OHM 1% 0.25W	PHILIPS	2322 157 11002	02.200
R48	Not used			
R49	RESISTOR PMF 12 OHM 5% 2W	PHILIPS	2322 194 13129	04.136
R50	RESISTOR MF 100 OHM 5% 0.33W	PHILIPS	2322 187 73101	02.448
R52	RESISTOR MF. 5R11 1% 0.25W	PHILIPS	2322 157 15118 (25118)	02.242
R53	RESISTOR MF 100k OHM 5% 0.33W	PHILIPS	2322 187 73104	02.520
R54	RESISTOR MF 10 OHM 5% 0.33W	PHILIPS	2322 187 73109	02.424
R55	RESISTOR MF 47k OHM 5% 0.33W	PHILIPS	2322 187 73473	02.512
R56	RESISTOR MF 100 OHM 5% 0.33W	PHILIPS	2322 187 73101	02.448
R57	RESISTOR PTC 3.1 OHM 250mA/50V	BOURNS	MF-R025	72090000
R58	RESISTOR PTC 3.1 OHM 250mA/50V	BOURNS	MF-R025	72090000
R59	RESISTOR MF 680 OHM 5% 0.33W	PHILIPS	2322 187 73681	02.468
R60	Not used			
R61	Not used			
R62	Not used			
R63	Not used			
R64	Not used			
R65	Not used			
R66	Not used			
R67	Not used			
R68	Not used			
R69	RESISTOR MF 10k0 OHM 1% 0.25W	PHILIPS	2322 157 11003	02.235
R70	RESISTOR MF 10 OHM 5% 0.33W	PHILIPS	2322 187 73109	02.424
R71	RESISTOR MF 10k0 OHM 1% 0.25W	PHILIPS	2322 157 11003	02.235
R72	RESISTOR MF 10k0 OHM 1% 0.25W	PHILIPS	2322 157 11003	02.235
R73	RESISTOR MF 10k0 OHM 1% 0.25W	PHILIPS	2322 157 11003	02.235
R74	RESISTOR MF 47k OHM 5% 0.33W	PHILIPS	2322 187 73473	02.512
R75	RESISTOR PTC 1kO/120centigrade	PHILIPS	2322 671 91107	07.104
R76	RESISTOR MF. 5R11 1% 0.25W	PHILIPS	2322 157 15118 (25118)	02.242
S2	Rocker Switch w. lamp, 4pol, DPST, 6A/250VAC, PCB	Legion Electronic Co	LECR9Y2KDFR7FR1	43.056
T1	Transformer Current Sense 1:1:50, 12A	FLUX	FT 28001201	22.209
T2	Transformer SMPS 370W	FLUX	14410040-1	22.215
V1	DIODE SCHOTTKY 30VDC/1A	PHILIPS	BYV10-30 133(113)	27.611
V2	DIODE BRIDGE 600V/8A KBU8	GENERAL INSTRUM	KBU8J(K,M)	27.112
V3	DIODE SCHOTTKY 30VDC/1A	PHILIPS	BYV10-30 133(113)	27.611
V4	Cooling assembly PR31/50 for STY15NA100, MAX247	T&T	0-0-36759	736759
V5	TRANSISTOR AF BC547B NPN TO-92	PHILIPS	BC547B-126	28.067
V6	TRANSISTOR AF BC547B NPN TO-92	PHILIPS	BC547B-126	28.067
V7	DIODE 1N4148 HIGH SPEED	PHILIPS	1N4148-143	25.131
V8	DIODE 1N4148 HIGH SPEED	PHILIPS	1N4148-143	25.131
V9	DIODE 1N4148 HIGH SPEED	PHILIPS	1N4148-143	25.131
V10	DIODE 1N4148 HIGH SPEED	PHILIPS	1N4148-143	25.131

POSITION	DESCRIPTION	MANUFACTURER	TYPE	PART NO.
V11	DIODE 1N4148 HIGH SPEED	PHILIPS	1N4148-143	25.131
V12	DIODE 1N4148 HIGH SPEED	PHILIPS	1N4148-143	25.131
V13	Diode Avalance F.Rec. 1000V/1A BYV96E, MUR1100	PHILIPS	BYV96E -153(133)	83100960
V14	Diode Avalance F.Rec. 1000V/1A BYV96E, MUR1100	PHILIPS	BYV96E -153(133)	83100960
V15	DIODE RECTIFIER 50V/6ADC MR750, RL750	MOTOROLA	MR750 (51,52,54,56,60)	25.219
V16	TRANSISTOR AF BC547B NPN TO-92	PHILIPS	BC547B-126	28.067
V17	DIODE 1N4148 HIGH SPEED	PHILIPS	1N4148-143	25.131
V18	Cooling assembly PR31/50 for STY15NA100, MAX247	T&T	0-0-36759	736759
V19	TRANSISTOR AF BC557B NPN TO-92	MOT.	BC557BZL1	28.091
V20	DIODE 1N4148 HIGH SPEED	PHILIPS	1N4148-143	25.131
V21	DIODE 1N4148 HIGH SPEED	PHILIPS	1N4148-143	25.131
V22	TRANSISTOR AF BC557B NPN TO-92	MOT.	BC557BZL1	28.091
V23	DIODE SHUNT REGULATOR PROGRAMMABLE	MOTOROLA	TL431CLP RA	85004310
V24	DIODE 1N4148 HIGH SPEED	PHILIPS	1N4148-143	25.131
V26	DIODE 1N4148 HIGH SPEED	PHILIPS	1N4148-143	25.131
V27	DIODE RECTIFIER 1N4002 100V/1A	MOTOROLA	1N4002(03/04/05/06/07)RL	25.100
V28	TRANSISTOR AF BC557B NPN TO-92	MOT.	BC557BZL1	28.091
V29	DIODE 1N4148 HIGH SPEED	PHILIPS	1N4148-143	25.131
V30	TRANSISTOR AF BC557B NPN TO-92	MOT.	BC557BZL1	28.091
V31	Not used			
V32	TRANSISTOR AF BC547B NPN TO-92	PHILIPS	BC547B-126	28.067
V33	DIODE 1N4148 HIGH SPEED	PHILIPS	1N4148-143	25.131
V34	Cooling assembly PR31/50 for MUR 3020PT, TO218	T&T	0-0-36822	736822
V35	DIODE RECTIFIER 1N4002 100V/1A	MOTOROLA	1N4002(03/04/05/06/07)RL	25.100
V36	Cooling assembly PR31/50 for MUR 3020PT, TO218	T&T	0-0-36822	736822
V37	DIODE SHUNT REGULATOR PROGRAMMABLE	MOTOROLA	TL431CLP RA	85004310
V38	DIODE SHUNT REGULATOR PROGRAMMABLE	MOTOROLA	TL431CLP RA	85004310
V39	Not used			
V40	Not used			
V41	Not used			
V42	Not used			
V43	DIODE 1N4148 HIGH SPEED	PHILIPS	1N4148-143	25.131
V44	DIODE SCHOTTKY 30VDC/1A	PHILIPS	BYV10-30 133(113)	27.611
X1	Connection Element w. 5x10mm Screw and Accessories	T&T	0-0-37559	737559
X2	Connection Element w. 5x10mm Screw and Accessories	T&T	0-0-37559	737559
X4	TERMINAL BLOCK PCB VERS. 4 POLES 1.5mm <sup>2</sup>	PTR	AK 3000/04-5.0-SLADE GREY	81.134
X5	TERMINAL BLOCK PCB VERS. 6 POLES 1.5mm <sup>2</sup>	PTR	AK 3000/06-5.0-SLADE GREY	81.136
X9	Connection Element w. 5x10mm Screw and Accessories	T&T	0-0-37559	737559
X10	Connection Element w. 5x10mm Screw and Accessories	T&T	0-0-37559	737559
X13	TERMINAL BLOCK PCB VERS. 1 POLE 1.5mm <sup>2</sup>	PTR	AK 3000/01-5.0-SLADE GREY	81.131
X14	TERMINAL BLOCK PCB VERS. 1 POLE 1.5mm <sup>2</sup>	PTR	AK 3000/01-5.0-SLADE GREY	81.131
X15	TERMINAL BLOCK PCB VERS. 1 POLE 1.5mm <sup>2</sup>	PTR	AK 3000/01-5.0-SLADE GREY	81.131
XF1	FUSE HOLDER 1 POLE ATO BLADE FUSES	PUDENZ	178.6165.0001 (.0002)	78.499
XF2	FUSE HOLDER 1 POLE ATO BLADE FUSES	PUDENZ	178.6165.0001 (.0002)	78.499
XF3	FUSE HOLDER 1 POLE ATO BLADE FUSES	PUDENZ	178.6165.0001 (.0002)	78.499
XF4	FUSE HOLDER 1 POLE ATO BLADE FUSES	PUDENZ	178.6165.0001 (.0002)	78.499
XF7	FUSE HOLDER 1 POLE ATO BLADE FUSES	PUDENZ	178.6165.0001 (.0002)	78.499
XF8	FUSE HOLDER 1 POLE ATO BLADE FUSES	PUDENZ	178.6165.0001 (.0002)	78.499
XF9	FUSE HOLDER 1 POLE ATO BLADE FUSES	PUDENZ	178.6165.0001 (.0002)	78.499
XF10	FUSE HOLDER 1 POLE ATO BLADE FUSES	PUDENZ	178.6165.0001 (.0002)	78.499
XF11	FUSE HOLDER 1 POLE ATO BLADE FUSES	PUDENZ	178.6165.0001 (.0002)	78.499
XF12	FUSE CLIP 1/4" PCB TYPE	LITTELFUSE	102 071	78.389
XF13	FUSECLIP FOR 20x5mm FUSELINK	LITTEL FUSE	111501	78.396
XL3	Shield for Choke TL 85	T&T	1-2-36919A	236919



**6 ACCESSORIES INCLUDED**

<b>DESIGNATION</b>	<b>QUANTITY</b>	<b>PART NUMBER</b>
Fuse 8AT, for 230V	1	45.519
Fuse 15AT, for 115V	2	45.630
Fuse auto blade 10A	2	45.663
Fuse auto blade 20A	2	45.665
Fuse auto blade 30A	1	45.667
Screw M4x30	11	87.363
Screw M4x20	17	87.359
Screw M5x12	5	87.453
Sheet metal screw 5.5x25	5	88.252
Cable clamp, 4 holes	4	204712
Cable clamp, 3 holes	8	204713
Technical Manual	1	M4655COM





# Technical Manual

**Thrane & Thrane**

Thrane & Thrane · Denmark · [info@thrane.com](mailto:info@thrane.com) · [www.thrane.com](http://www.thrane.com)