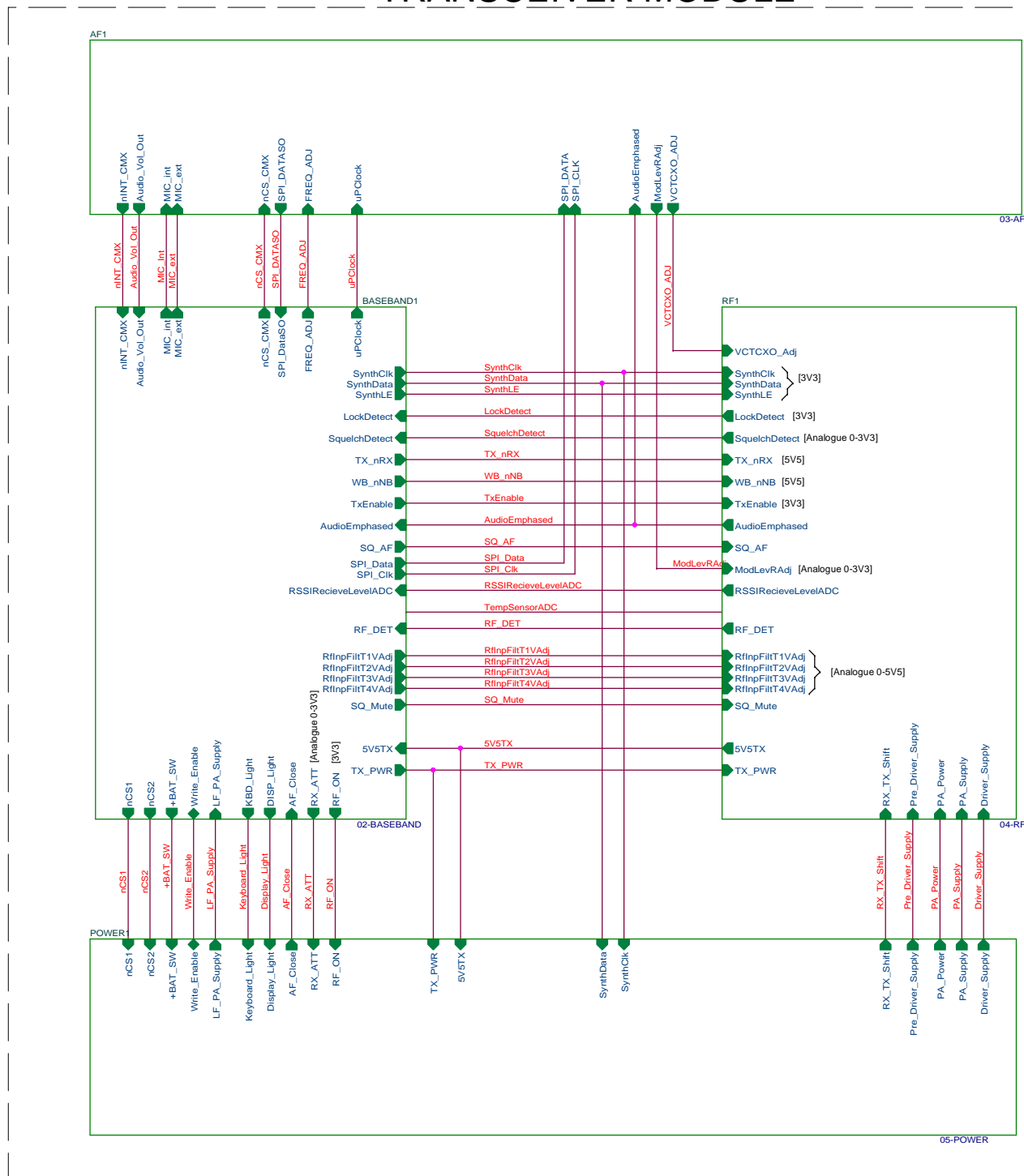
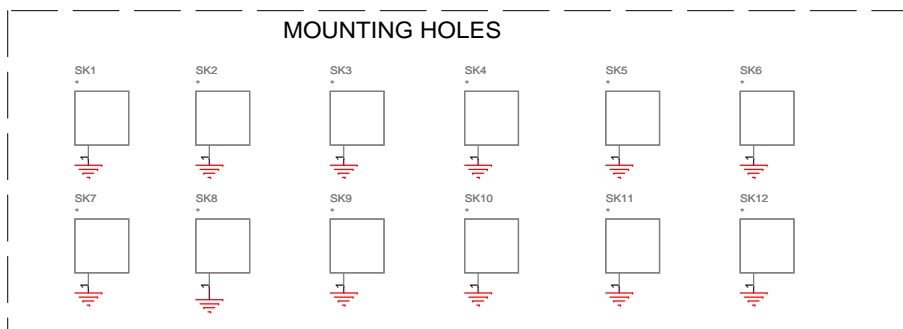


TRANSCEIVER MODULE



MOUNTING HOLES

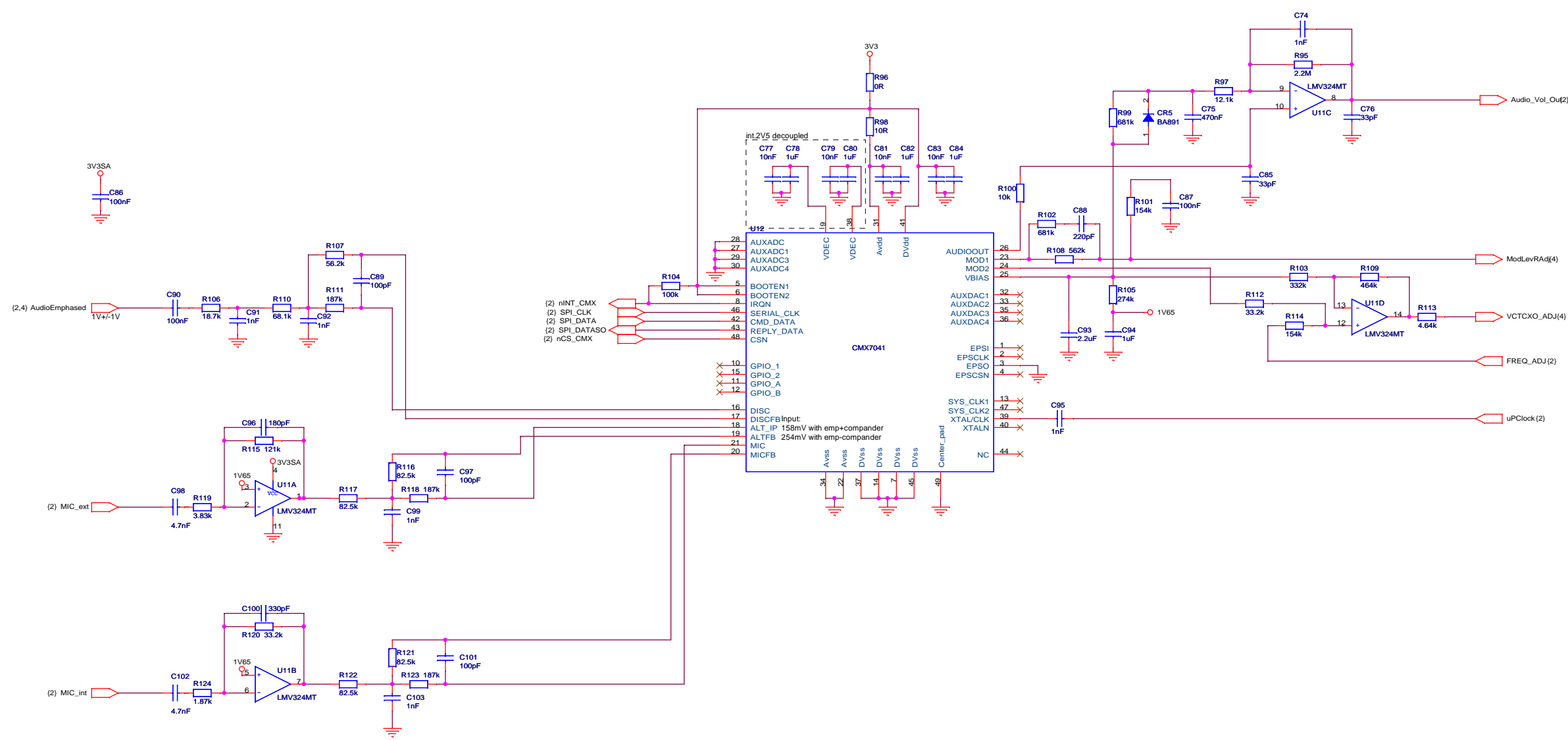


* = Not mounted

ATEX DOCUMENT

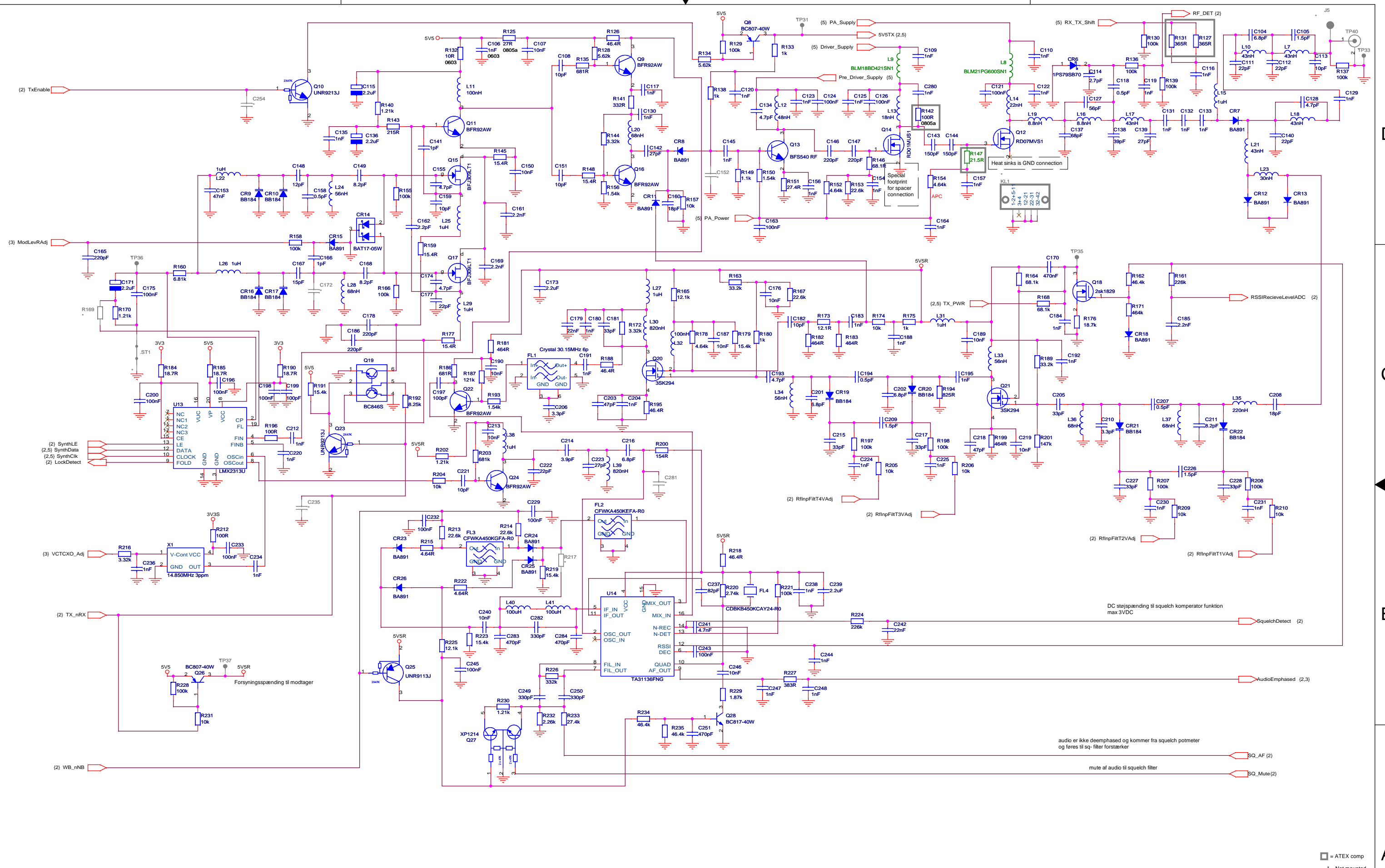
Only valid with ATEX authorized person approval

RELATED			
Thrane & Thrane A/S			
DR. FVN	080620	TITLE	Transceiver Module, SP35XX ATEX VHF - Non/GMDSS
CH. PHM	080620		
AP. HOF	YYMMDD		
ATEX AP. NAN	YYMMDD		
PCB PART NO.	SIZE	CODE IDENT NO.	DRAWING NO.
38-127182-A	A2	01-MAIN	TT93-127182-D
			SHEET 1 OF 5



* = Not mounted

ATEX DOCUMENT			
Only valid with ATEX authorized person approval			
RELATED			
PCB PART NO.	SIZE	CODE IDENT NO.	DRAWING NO.
38-127182-A	A2	03-AF	TT93-127182-D
		SHEET 3 OF 5	



□ = ATEX comp
 * = Not mounted

ATEX DOCUMENT			
Only valid with ATEX authorized person approval			
RELATED			
PCB PART NO.	SIZE	CODE IDENT NO.	DRAWING NO.
38-127182-A	A2	04-RF	TT93-127182-D
SHEET 4 OF 5			

4

3

2

1

D

D

C

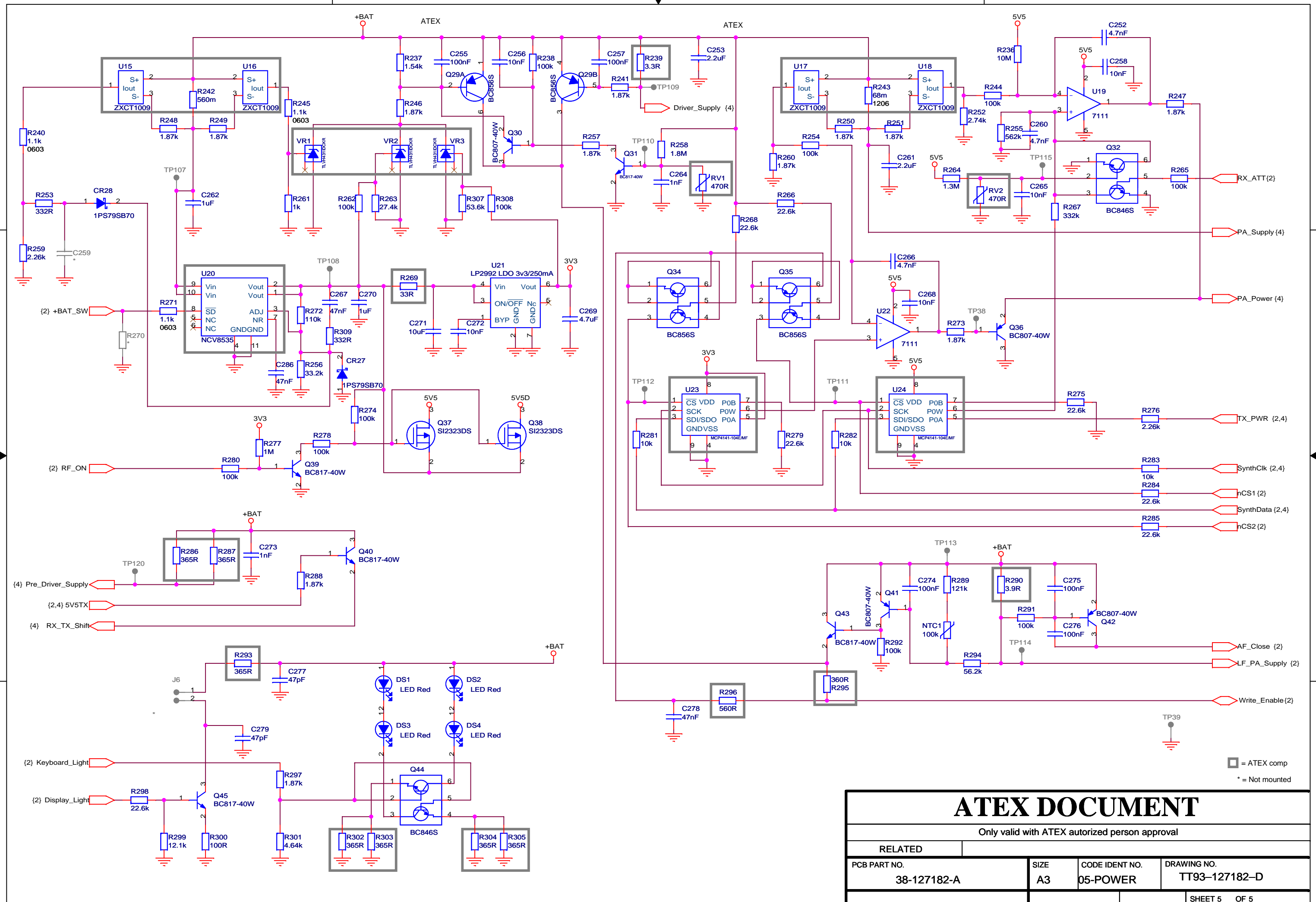
C

B

B

A

A



□ = ATEX comp
 * = Not mounted

ATEX DOCUMENT			
Only valid with ATEX authorized person approval			
RELATED			
PCB PART NO.	SIZE	CODE IDENT NO.	DRAWING NO.
38-127182-A	A3	05-POWER	TT93-127182-D
		SHEET 5 OF 5	