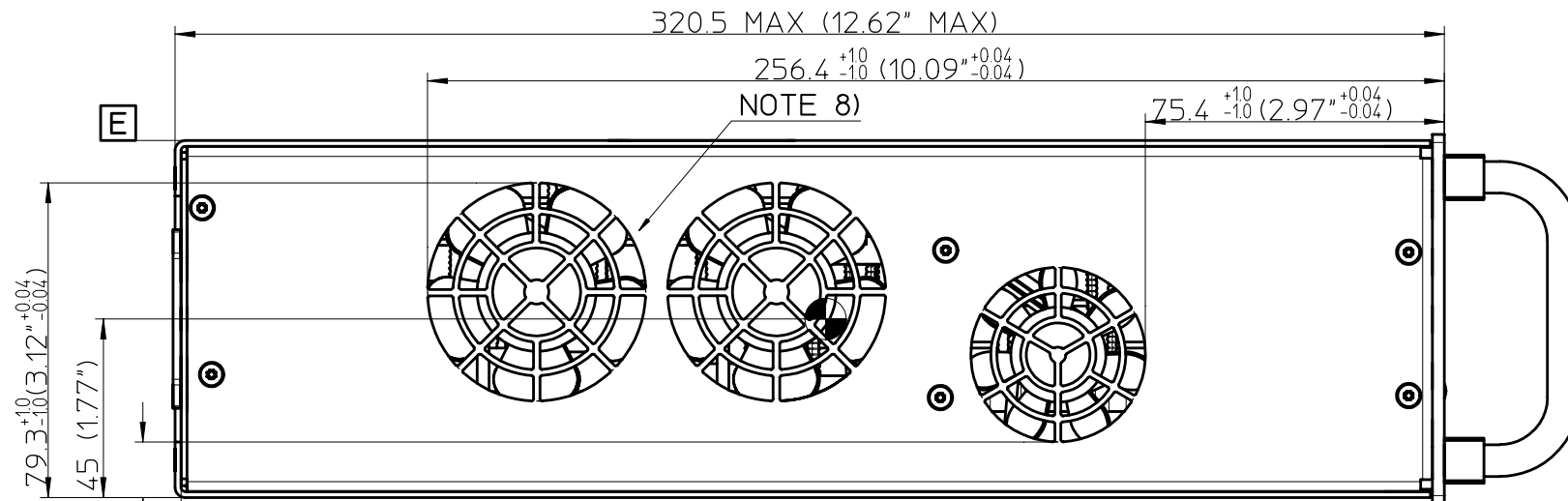


REVISIONS			
LTR	DESCRIPTION	DATE	APPROVAL
A	ORIGINAL		



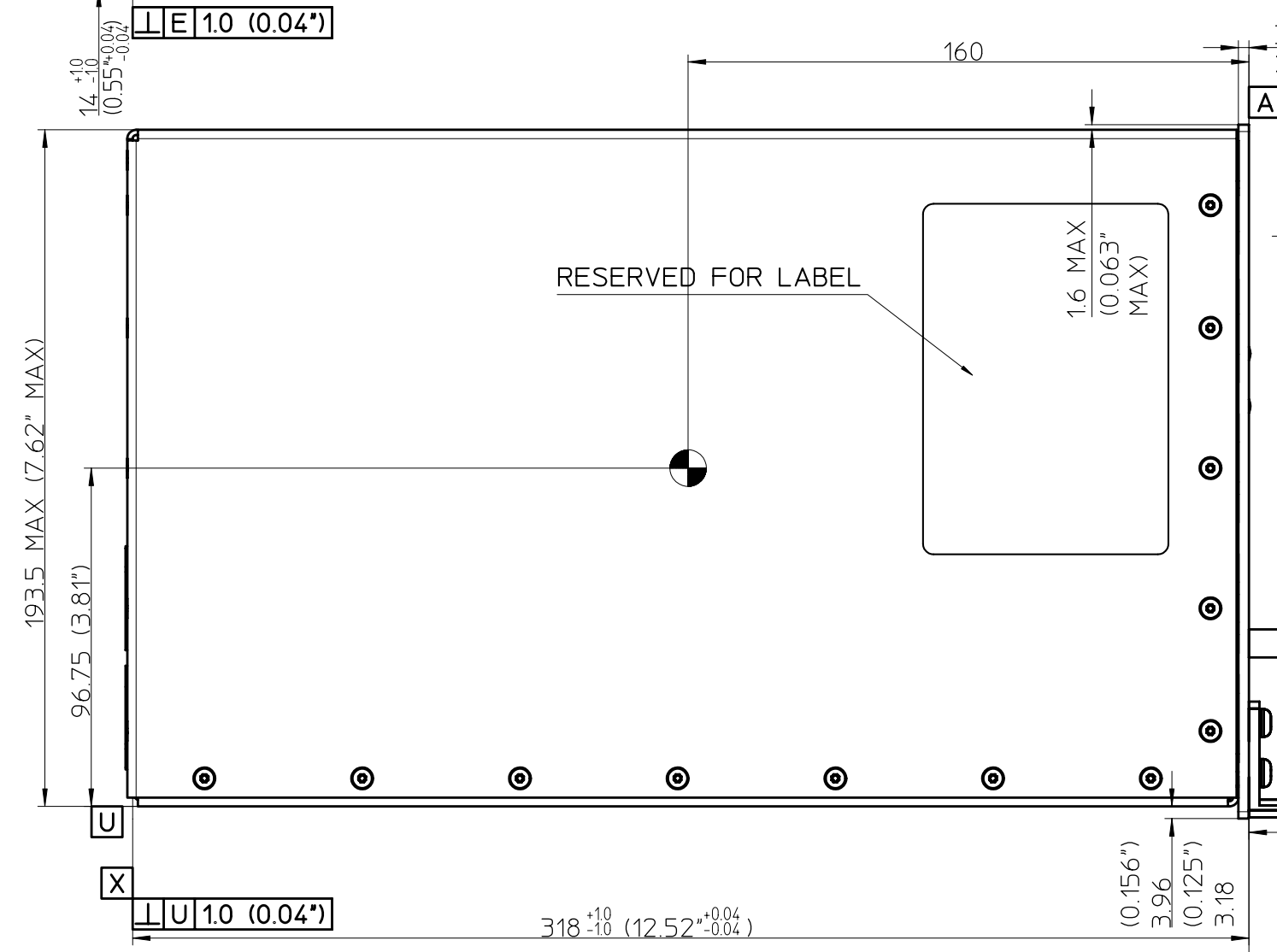
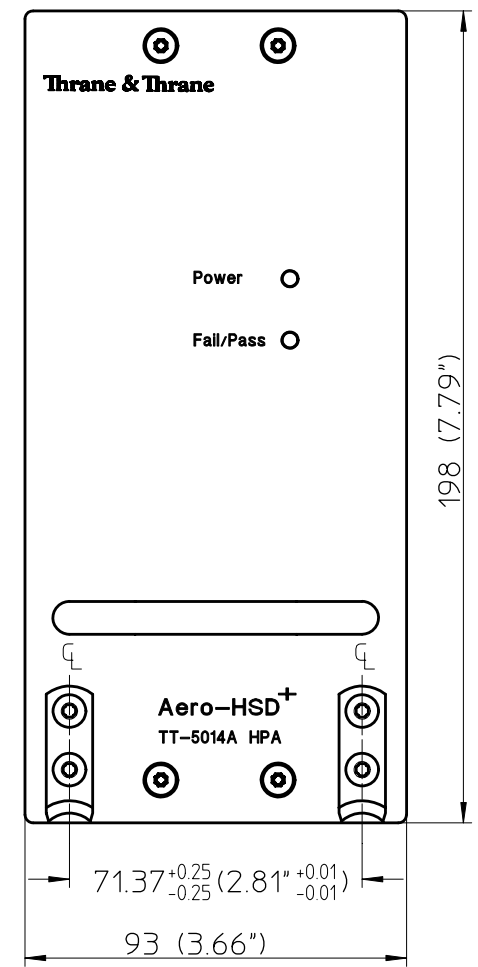
ARINC 404A DSX DUAL RECEPTACLE CONNECTOR

RADIALL PART NO:
616 697 174
(DSXN2RXMC2PX32C2P0001)
INSERT A: MC2. INSERT B: 32C2
INDEX CODE 08

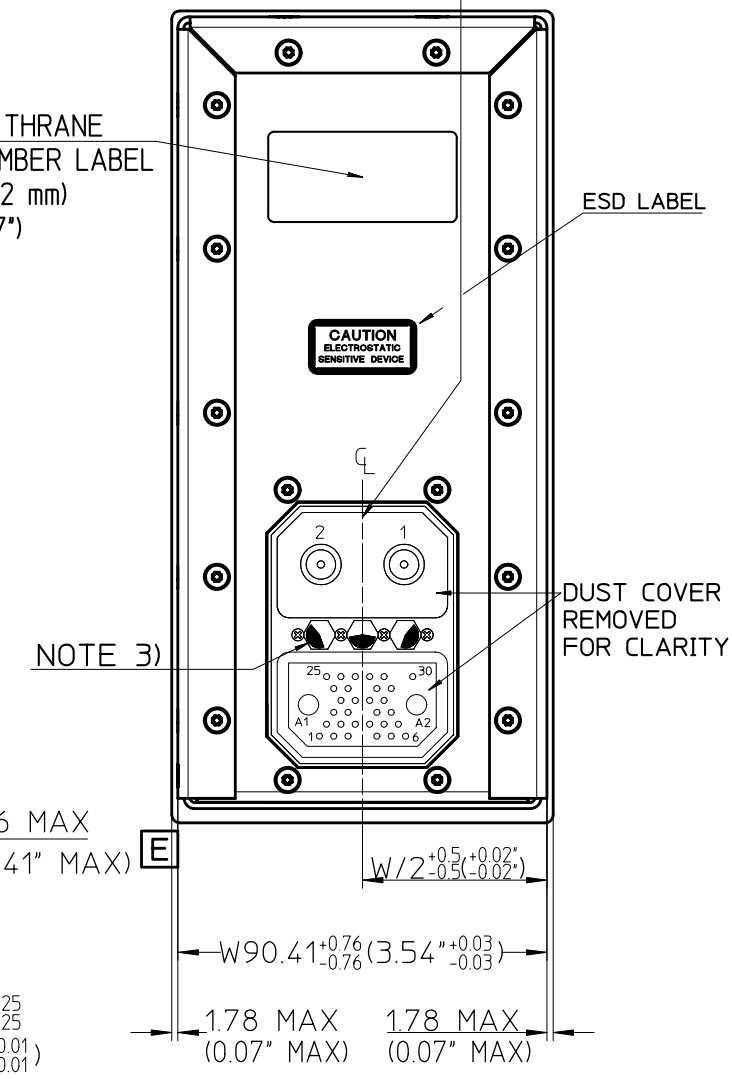
CONNECTING PART

ARINC 404A DSX DUAL PLUG CONNECTOR

RADIALL PART NO:
616 697 173
(DSXN2PXXMC2SX32C2S0001)
INSERT A: MC2. INSERT B: 32C2
30 SIZE 20HD CRIMP SOCKET CONTACTS P/N 616310
2 POWER SOCKET CONTACTS FOR SIZE 5 CAVITY P/N 616366
2 SIZE 1 COAXIAL SOCKET CONTACTS P/N 616103001
(CABLE EMTEQPFLX 900-500)

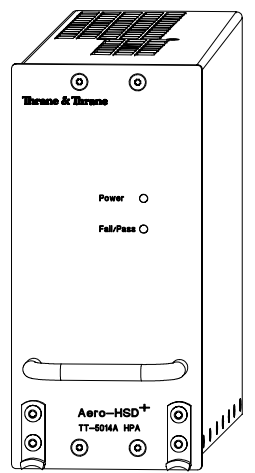


THRANE & THRANE
SERIAL NUMBER LABEL
(46 mm x 22 mm)
(1.81" x 0.87")



NOTES

- UNIT WEIGHT 5.1 kg +/- 0.2 KG (11.24 LBS +/-0.44 LBS)
- DENOTES APPROXIMATE CENTER OF GRAVITY
- DARKEN PORTION INDICATES SOLID PART OF POLARIZING KEYWAY
- DIMENSIONS ARE IN MILLIMETERS. DIMENSIONS IN BRACKETS ARE IN INCHES
- UNIT MATERIAL: ALUMINIUM.
- UNIT FINISH: YELLOW CHROMATE CONVERSION COATING - ALODINE 1200S EPOXYESTER PRIMER, INFRASOL TOP COAT
- DO NOT BLOCK COOLING AIRHOLES. FORCED COOLING IS RECOMMENDED.
- THE TT-5014A INSTALLATION IS IN ACCORDANCE WITH ARINC 404A 3/8 SHORT ATR, EXCEPT FOR:
EQUIPMENT COOLING, THE UNIT IS NOT DEPENDED ON EXTERNAL FORCED COOLING
- THE UNIT HAS BUILT-IN FANS



THRANE & THRANE P/N 405014A

UNLESS OTHERWISE SPECIFIED DIMENSIONS ARE IN MILLIMETERS AND TOLERANCES ARE IN ACCORDANCE WITH DS 2075.		Thrane & Thrane A/S Telecommunications Engineering Copenhagen Denmark	
ANGLES	DR. K.D.Mikkelsen 000822	TITLE	
LIN. DIM. ±1MM (±0.04")	CH. Jesper Sundberg 000822	OUTLINE DRAWING	
MATERIAL	AP. K.D.Mikkelsen 030902	HPA UNIT TT-5014A	
SEE NOTES	AP.	SIZE	DRAWING NO.
	FIRST ANGLE PROJECTION	A1	TT94-113354
		SCALE 1:1	SHEET 1 OF 1