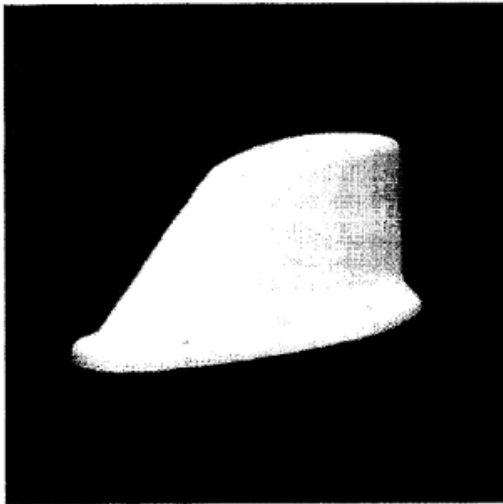


S Satcom S65-8282-101; -201



DESCRIPTION

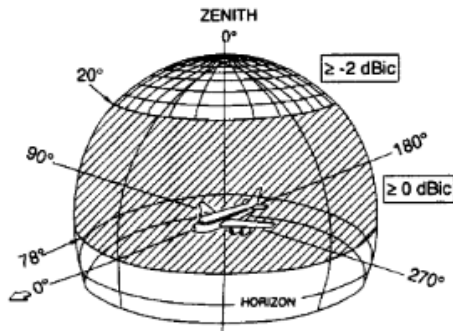
S65-8282-101: Low-gain INMARSAT Satcom antenna provides 93% sky coverage and is approved for both Aero-L and Aero-C applications. May be used to back up the high-gain antenna ARINC 741 Aero-H communications should the high-gain antenna lose its satellite link. Reliable link for both Aero-C (store and forward) and Aero-L system. Small size, low drag profile radome.

INMARSAT approved under Letter of Assessment Number 960909TC.RO4. FAA PMA.

S65-8282-201: Identical to above except LHCP. May be used for Geostar applications requiring Left Hand Circular Polarization (LHCP). Continuously covers the frequency range of 1530-1660.5 MHz. Provides 93% sky coverage.

FEDERAL & MILITARY SPECS: ARINC 741, DO-160C, FAA PMA, MIL-HDBK-5400T, MIL-STD-810D, MIL-C-5541, MIL-E-5400.

PERFORMANCE



SPECIFICATIONS

	SATCOM	
	S65-8282-101	S65-8282-201
ELECTRICAL		
Frequency	1530-1559 MHz 1626.5-1660.5 MHz	1530-1559 MHz 1626.5-1660.5 MHz
VSWR	1.5:1	1.5:1
Polarization	RHCP	LHCP
Impedance	50 ohms	50 ohms
Power Handling	60 watts CW	60 watts CW
Gain	≥ -2 dBic @ $-20^\circ \leq \theta \leq +20^\circ$ ≥ 0 dBic @ $+20^\circ < \theta \leq +78^\circ$ ≥ 0 dBic @ $-20^\circ > \theta \geq -78^\circ$ 0° = Zenith	
Lightning Protection	DC grounded	

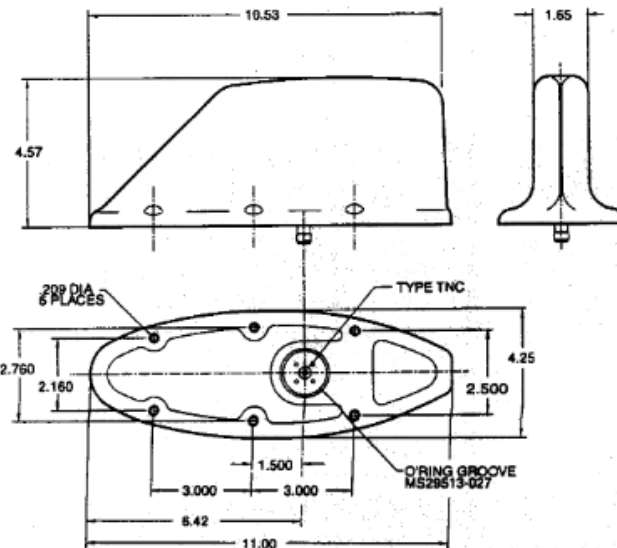
MECHANICAL

Weight	1.5 lbs.
Height	4.57 in.
Length	11 in.
Width	4.25 in.
Material	6061-T6 aluminum / thermoset plastic
Finish	Skydrol resistant enamel
Connector	TNC
Drag	1.1 lbs. Mach .85 @ 35,000 ft.

ENVIRONMENTAL

Temperature	-65°F to +185°F
Vibration	10 G's
Altitude	70,000 ft.

OUTLINE DRAWING



S67-8282-201

Sensor Systems Inc.
 8929 Fullbright Avenue
 Chatsworth, CA 91311 USA
 818-341-5366 fax: 818-341-9059
 email: info@sensorantennas.com
 www.sensorantennas.com