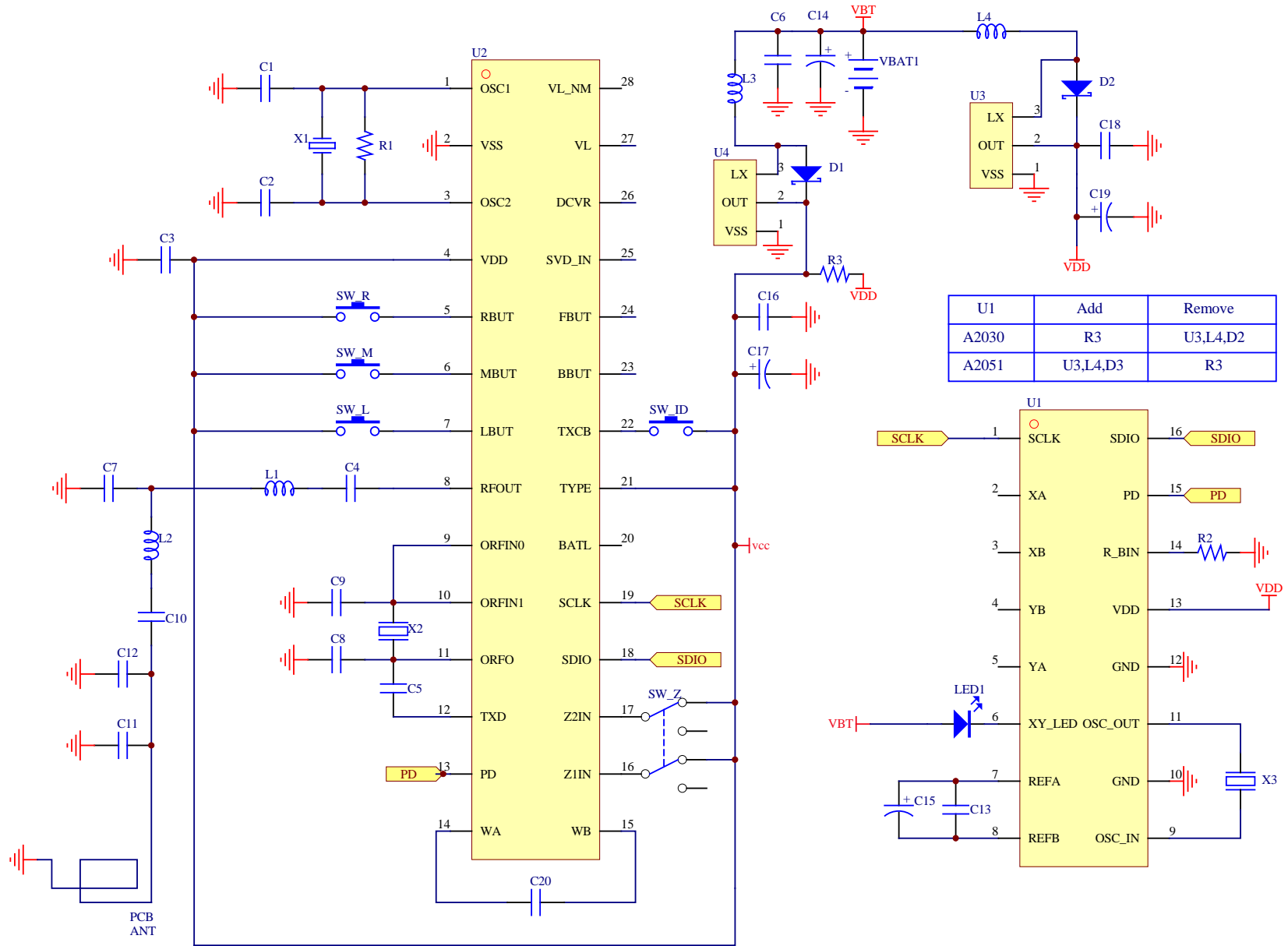


DS-2068 TX SCH



No.	component name	model	quartity	remark
1	PCB	1.6mm 72X37mm	1	DS-2068
2	IC	A2030 DIP16pin	1	U1
3	IC	MA60H221-s7K SSOP28pin	1	U2
4	IC	ELM9330AP SOT-89	1	U4
5	LED	HLMP-ED80-KP000	1	LED
6	code	H=7mm	1	EN
7	audion	MA729 0805	2	D1
8	crystal frequency genrator	27.042MHz 76.8K 27.042M	1	X2 X1 X3
9	electrolyte capacitance	1.8uH 1210	1	L1
10	resistance	0R 1210	1	L2
11	electrolyte capacitance	220uH RL0406-221K	2	L3
12	resistance	4.7M 0603	1	R1
13	resistance	15K 0603	1	R2
14	resistance	0R 0603	1	R3
15	lacker capacitance	22 pF 0603	4	C1, C2, C5, C10
16	lacker capacitance	104 0603	5	C3, C6, C13, C16, C18,
17	lacker capacitance	33 pF 0603	1	C4
18	lacker capacitance	15 pF 0603	1	C9
19	lacker capacitance	103 0603	1	C20
20	lacker capacitance	75pF 0603	1	C7
21	lacker capacitance	43pF 0603	1	C11
22	lacker capacitance	3pF 0603	0	C12
23	electrolyte capacitance	10uF 1206	1	C15
24	electrolyte capacitance	47uF 1210	3	C14, C17, C19