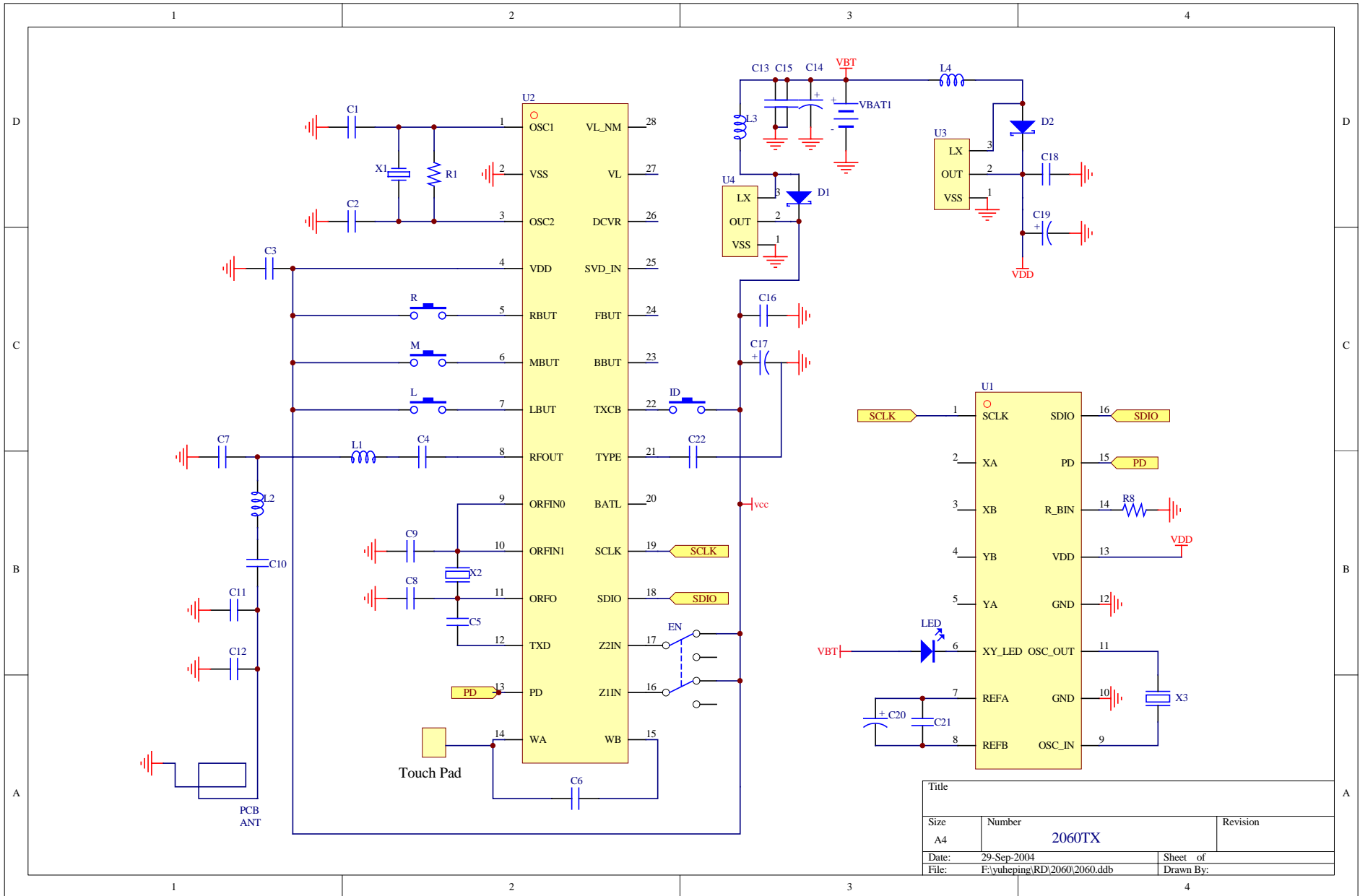


DS-2060 TX SCH



Title		
Size A4	Number 2060TX	Revision
Date:	29-Sep-2004	Sheet of
File:	F:\wuheping\RD\2060\2060.ddb	Drawn By:

No.	component name	model	quantity	remark
1	PCB	1.6×45×44mm 1.6×73×50mm	1	
2	IC	A2051 DIP16pin	1	U1
3	IC	MA60H221-s7K SSOP28pin	1	U2
4	IC	RH5RH401PR SOT-89	1	U3
5	IC	ELM9330AP SOT-89	1	U4
6	LED	HLMP-ED80-KP000	1	LED
7	code	H=9mm	1	EN
8	audion	MA729 0805	2	D1 , D2
9	crystal frequency genrator	76.8KHZ	1	X1
10	crystal frequency genrator	27.042MHz	1	X2
11	crystal frequency genrator	18MHZ	1	X3
12	electrolyte capacitance	1.8uH 1/4W	1	L1
13	electrolyte capacitance	0.82uH 1/4W	1	L2
14	electrolyte capacitance	270uH S-CC0608	2	L3, L4
15	resistance	4.7M 0603	1	R1
16	resistance	15K 0603	1	R8
17	lacker capacitance	22 pF 0603	3	C1, C2, C10
18	lacker capacitance	104 0603	5	C3, C13, C15, C16, C18,
19	lacker capacitance	33 pF 0603	3	C4, C5 , C11
20	lacker capacitance	103 0603	2	C6, C22
21	lacker capacitance	75pF 0603	1	C7
22	lacker capacitance	NC	0	C8
23	lacker capacitance	15pF	1	C9
24	lacker capacitance	22pF	1	C12
25	lacker capacitance	104	1	C21
26	electrolyte capacitance	10uF/25V 4×7mm	1	C20
27	electrolyte capacitance	220uF/16V 5×7mm	3	C14, C17, C19
28	switch	3Pin	3	L. M. R