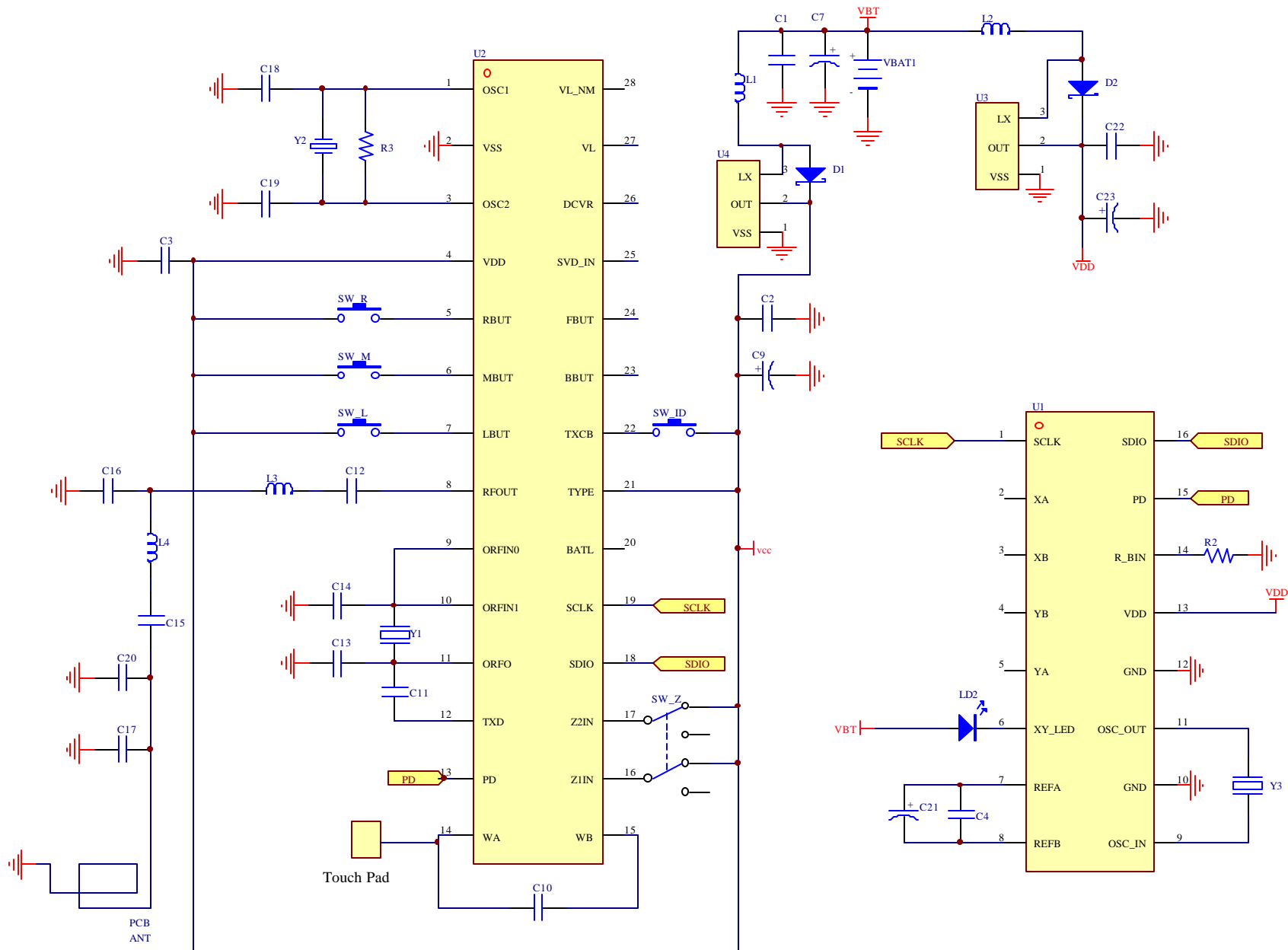


# DS-2038 TX SCH



# 2038U+P RX SCH

