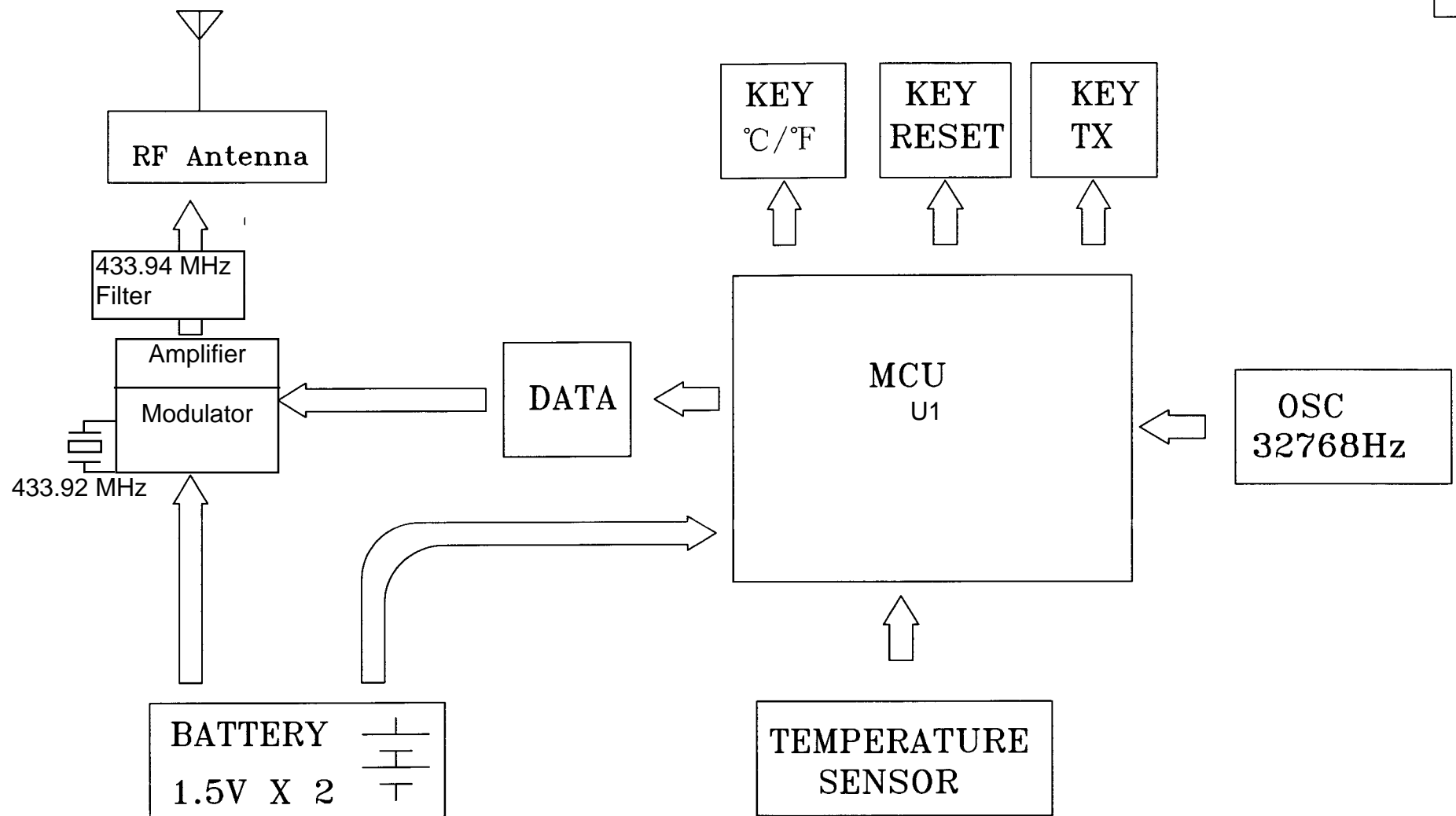
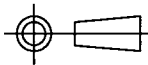


RECEIVED 15 APR 2005



PICADOR ELECTRONIC LTD.		DESIGN	曾泽明	2005/3/22	APPROVAL		UNIT	mm
		CHECK			general tolerance	± 0.5° ± 0.10	SCALE	
MODEL NO	200301A2	PART NAME			MATERIAL			
PCB NO		BLOCK DIAGRAM						
BOM NO.		REV.	V1		PAGE No.	1 OF 1		