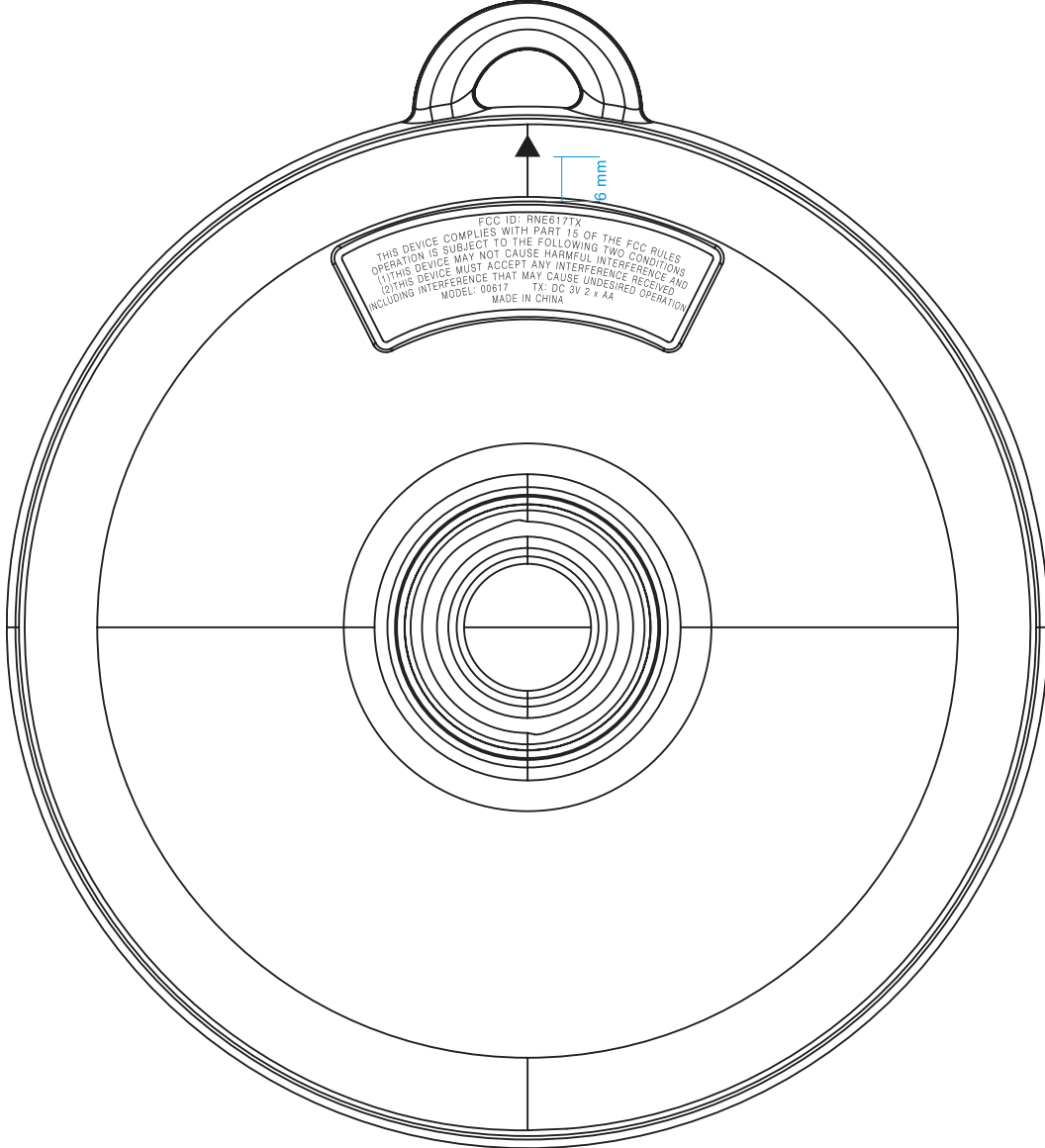




后壳刻凸字
比例1:1
字高0.3mm



FCC ID: RNE6177X
THIS DEVICE COMPLIES WITH PART 15 OF THE FCC RULES
OPERATION IS SUBJECT TO THE FOLLOWING TWO CONDITIONS
(1) THIS DEVICE MAY NOT CAUSE HARMFUL INTERFERENCE AND
(2) THIS DEVICE MUST ACCEPT ANY INTERFERENCE RECEIVED
INCLUDING INTERFERENCE THAT MAY CAUSE UNDESIRED OPERATION
MODEL: 00617 TX: DC 3V 2 x AA
MADE IN CHINA

刻凸字
比例1:1
字高0.3mm

R17	
设计	
结构	
经理	