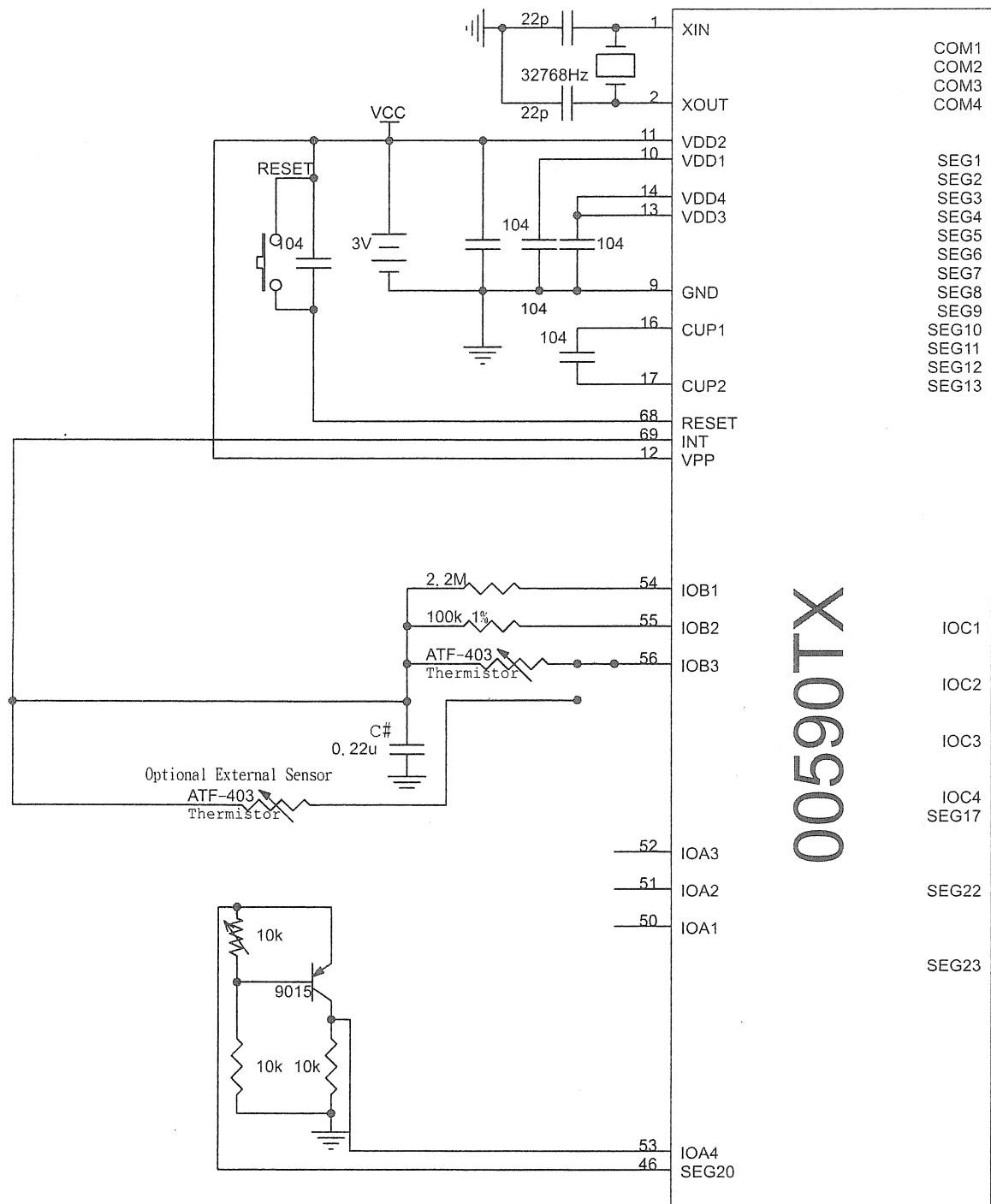


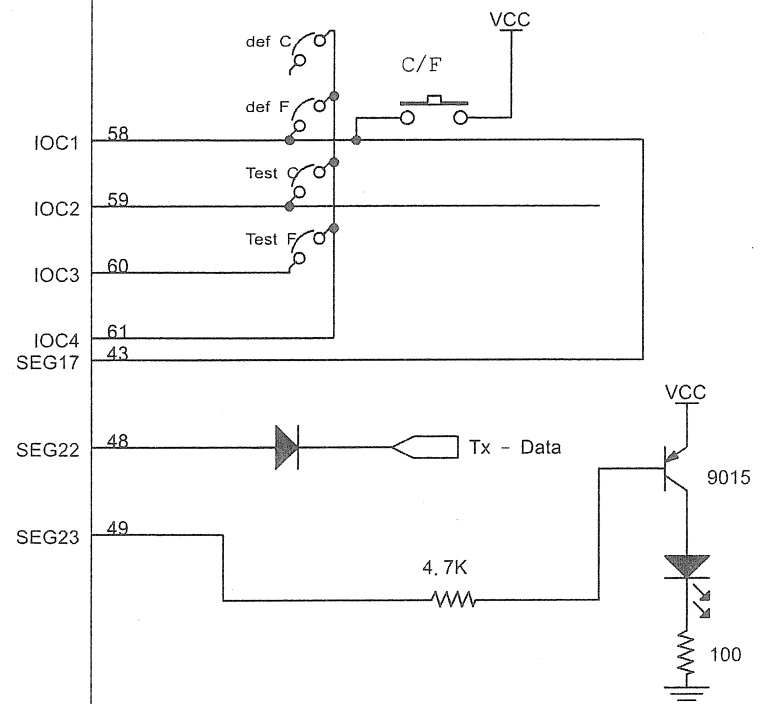
D
C
B
A



00590TX

- COM1 18
- COM2 19
- COM3 20
- COM4 21
- SEG1 27
- SEG2 28
- SEG3 29
- SEG4 30
- SEG5 31
- SEG6 32
- SEG7 33
- SEG8 34
- SEG9 35
- SEG10 36
- SEG11 37
- SEG12 38
- SEG13 39

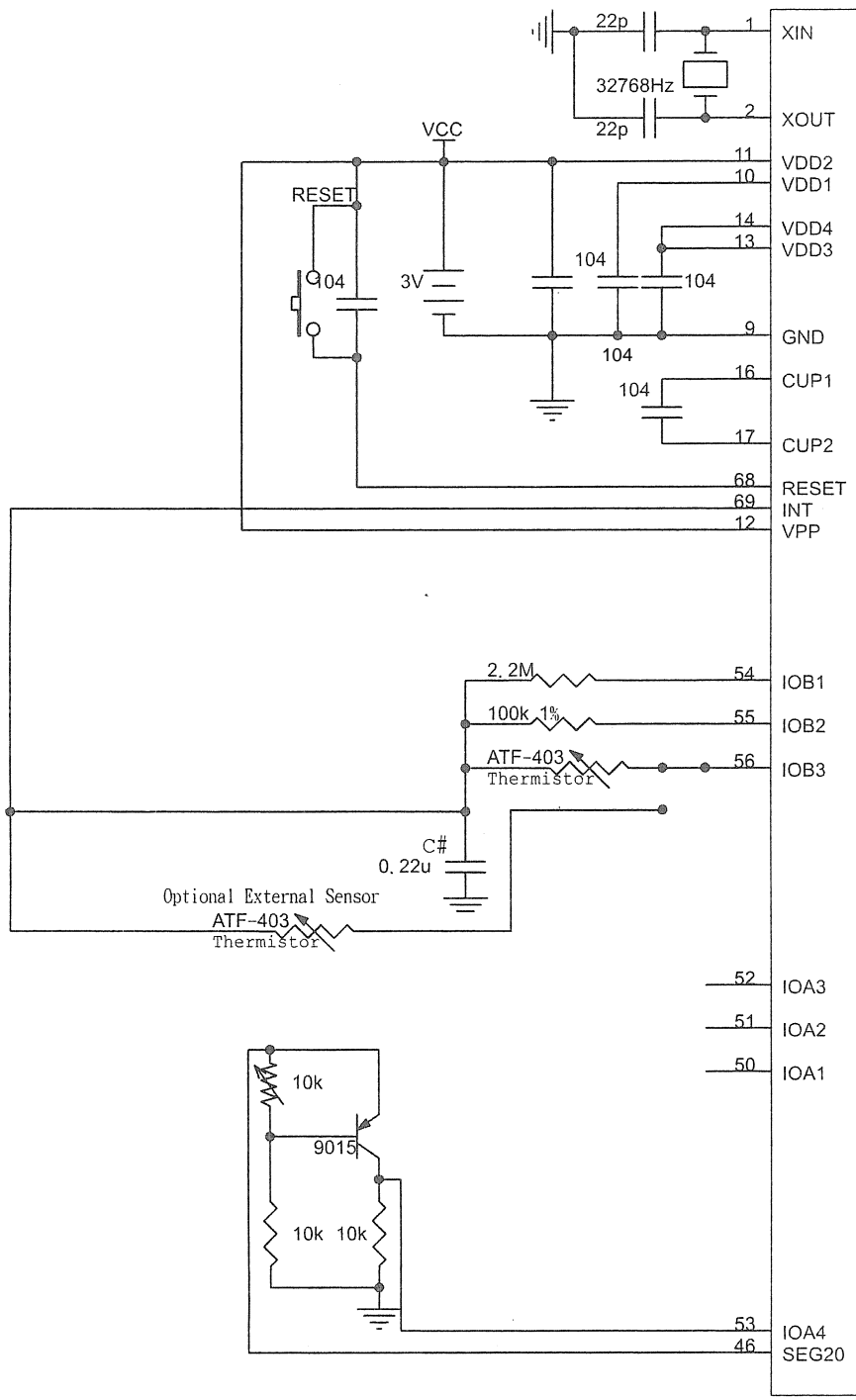
No display with external sensor



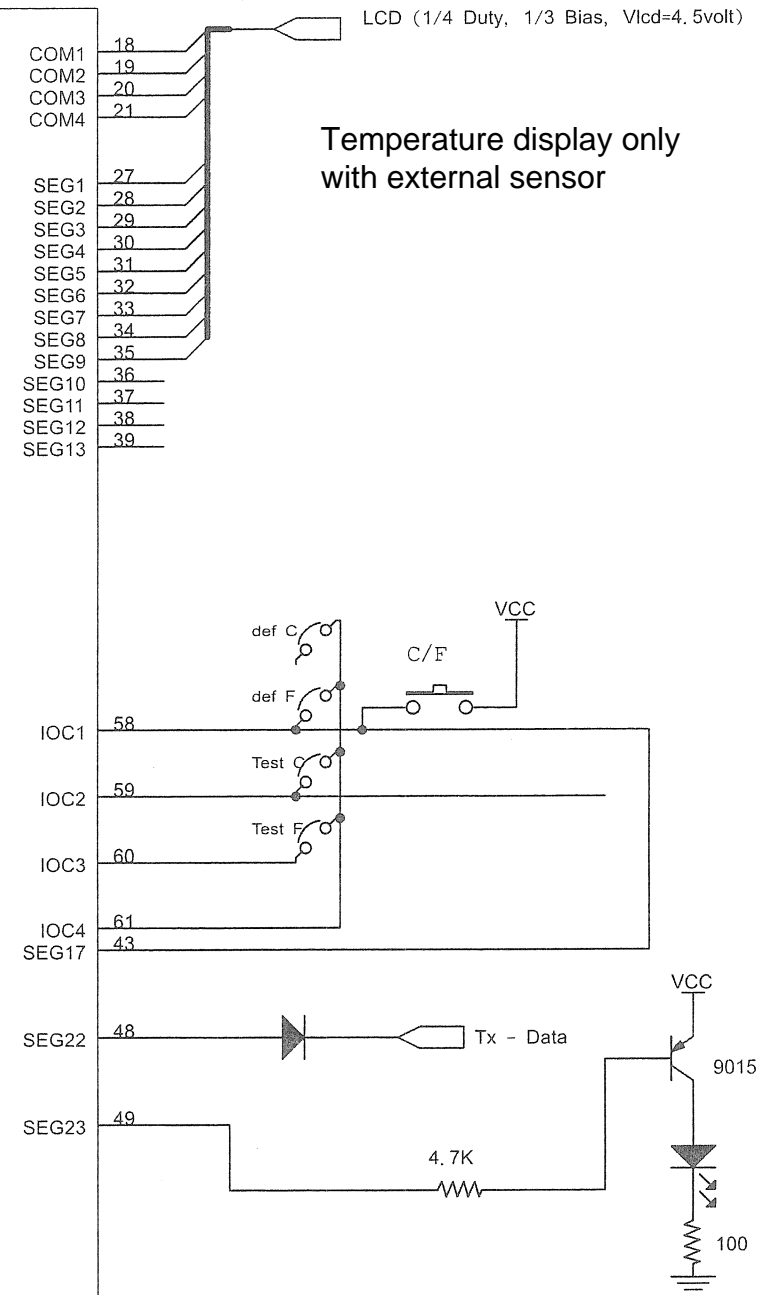
RESOURCEFUL MIND ELECTRONICS LTD.		
Title 00590-TX (No LCD Display)		
Size A	Document Number <Doc>	Rev 1.1
Date:	Friday, July 28, 2006	Sheet 1 of 1

PS-587-TX

D
C
B
A



00590-TX

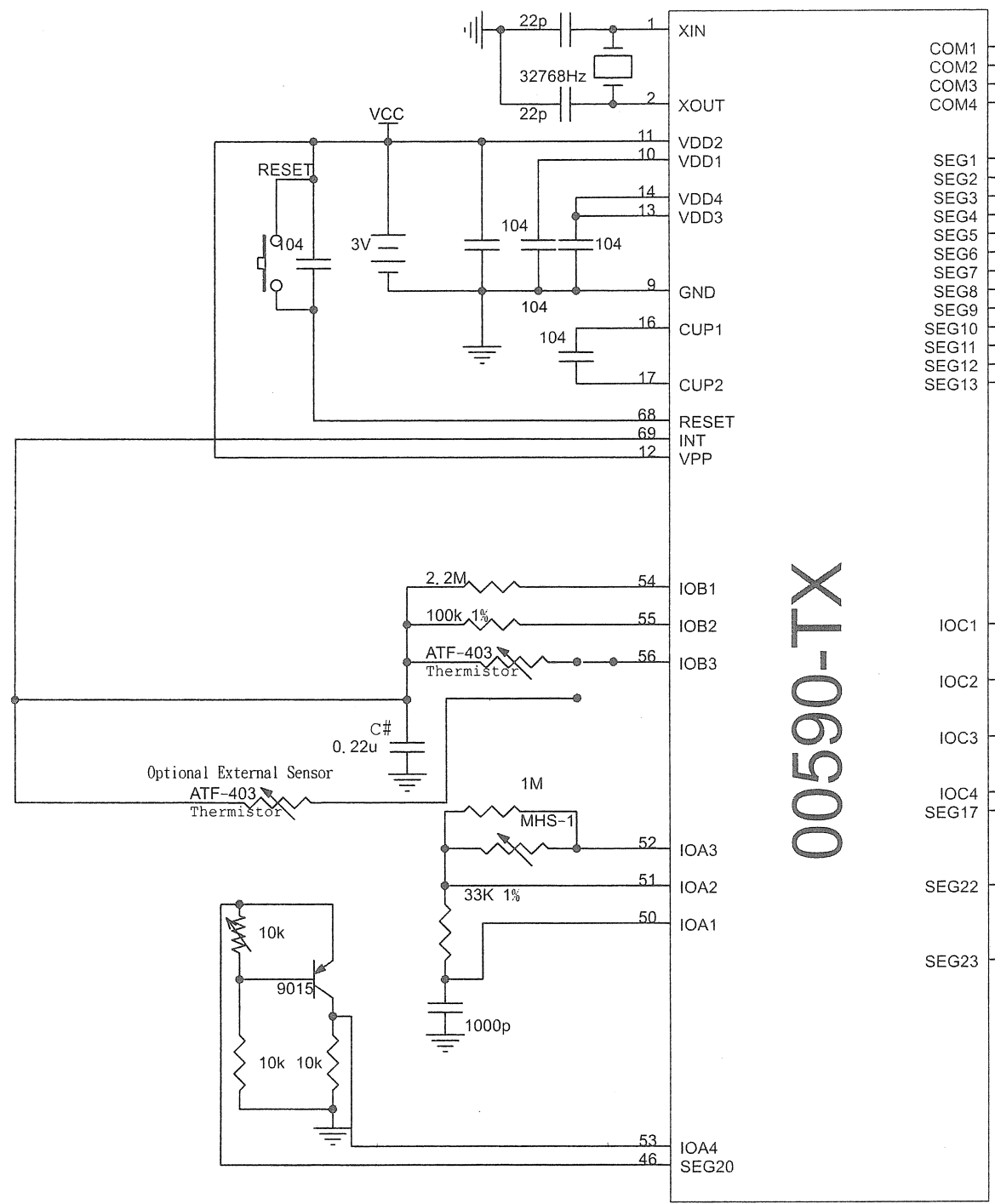


Temperature display only
with external sensor

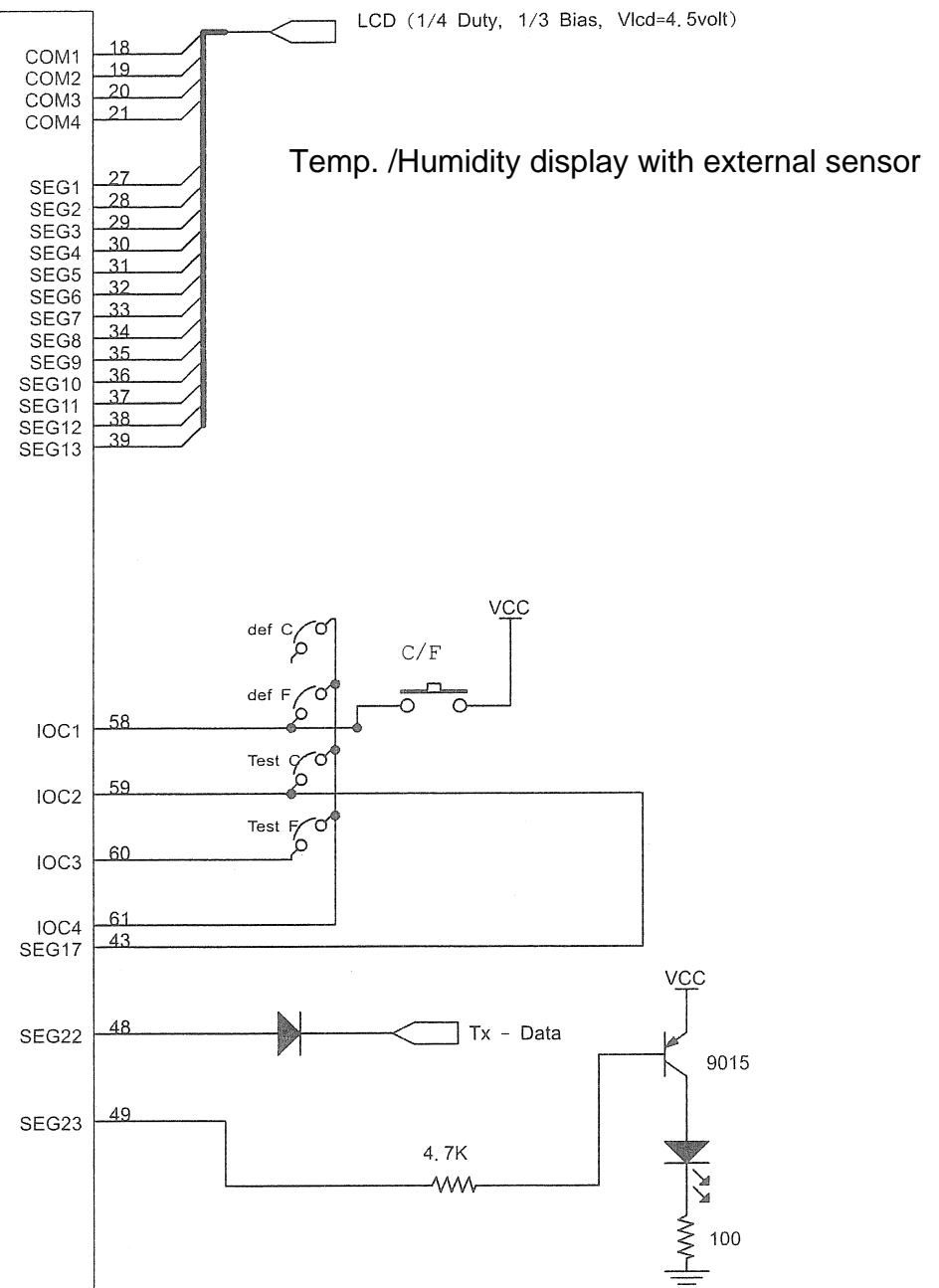
RESOURCEFUL MIND ELECTRONICS LTD.		
Title 00590TX (Single Line LCD Display)		
Size A	Document Number <Doc>	Rev 1.1
Date Friday, July 28, 2006	Sheet 1	of 1

PS-589 TX

D
C
B
A

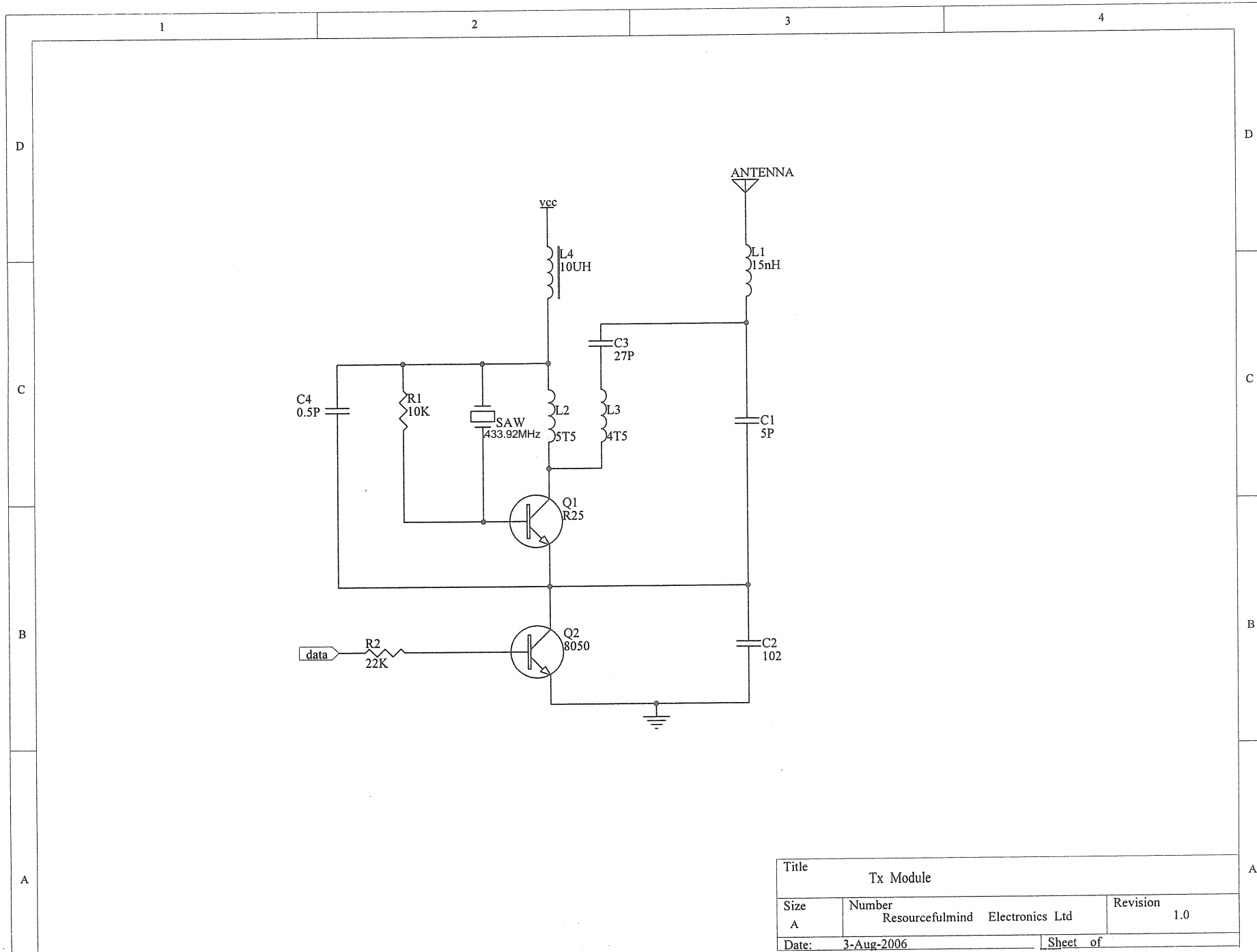


00590-TX



RESOURCEFUL MIND ELECTRONICS LTD.		
Title 00590A1-TX (2 Line LCD Display)		
Size A	Document Number <Doc>	Rev 1.1
Date:	Fridav. Julv 28. 2006	Sheet 1 of 1

PS-508 TX



Title			
Tx Module			
Size	Number	Revision	
A	Resourcefulmind Electronics Ltd	1.0	
Date:	3-Aug-2006	Sheet	of

433 Tx module