

6

5

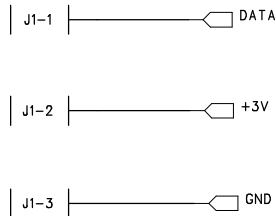
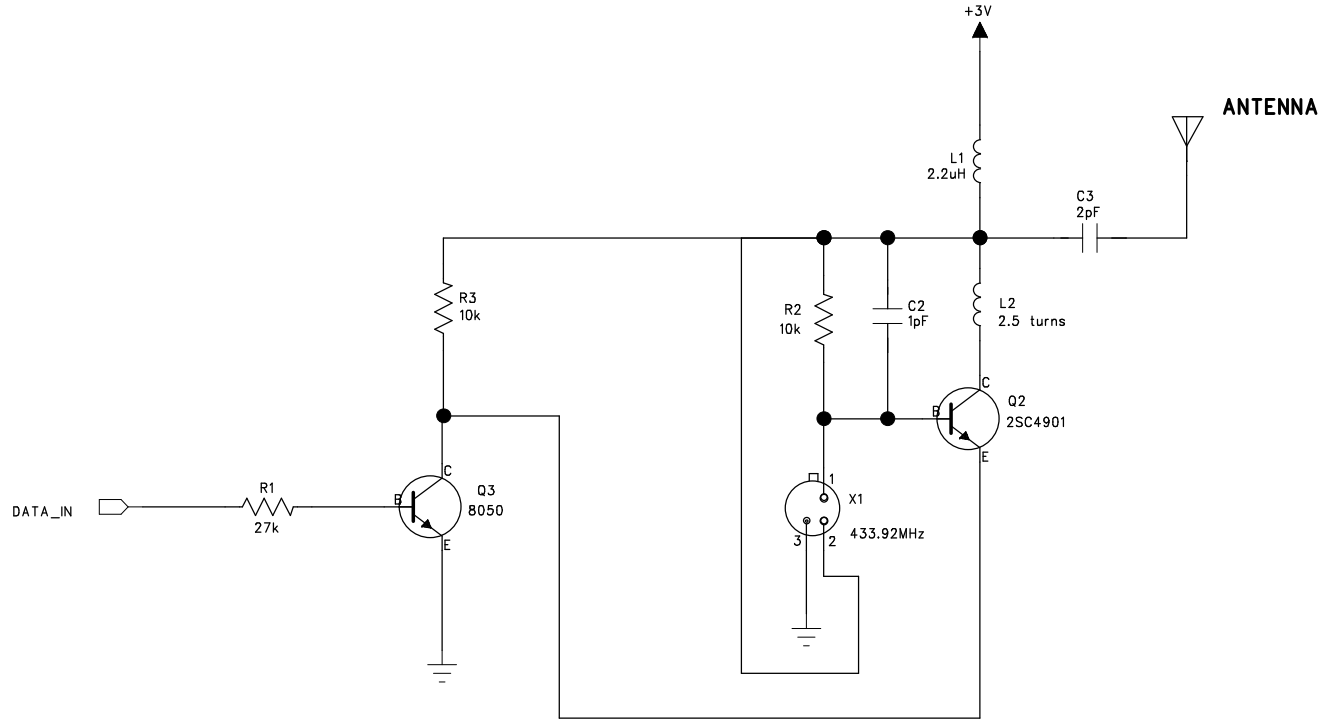
4

3

2

1

REVISION RECORD			
LTR	ECO NO:	APPROVED:	DATE:



COMPANY:				WINGS PRODUCTS LIMITED							
TITLE:				433.92MHz Transmitter							
DRAWN:		DATED:		CODE:		SIZE:		DRAWING NO:		REV:	
CHECKED:		DATED:		A3						A0	
QUALITY CONTROL:		DATED:									
RELEASED:		DATED:		SCALE:				SHEET: 1 OF PAGE 1			

D

D

C

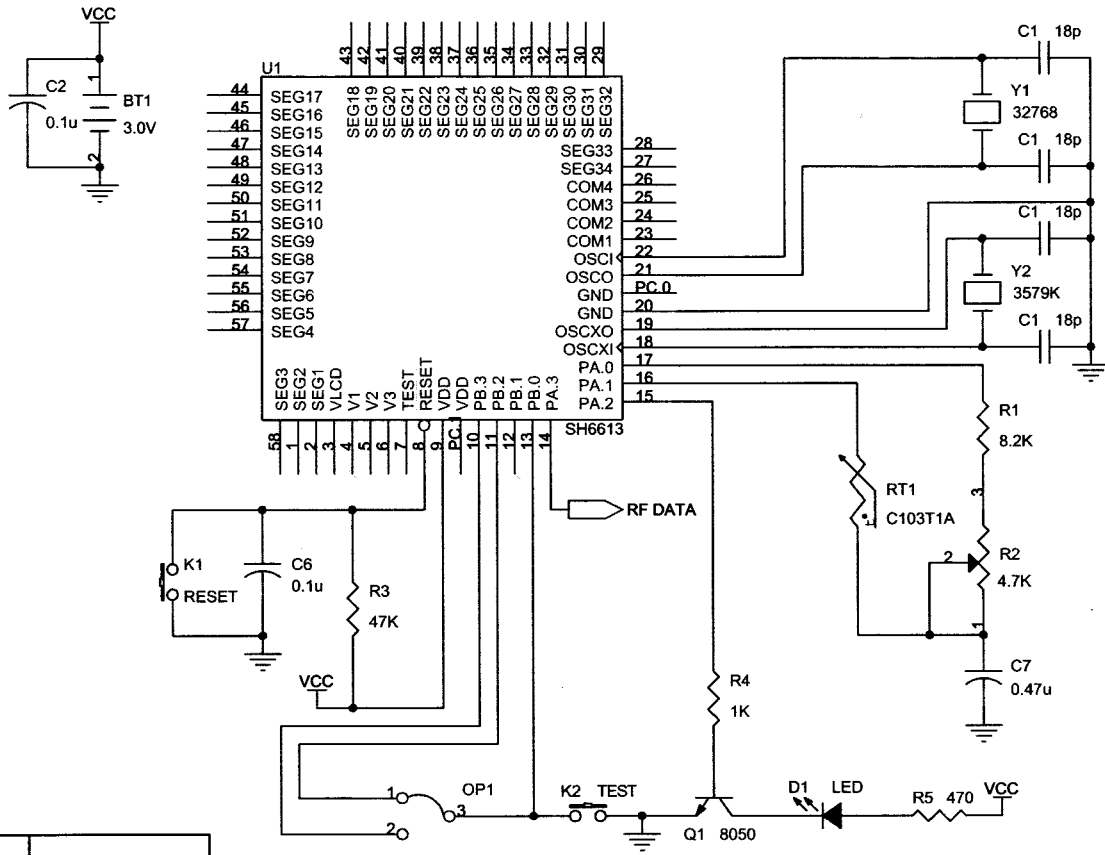
C

B

B

A

A



CHANNEL	OP1_1	OP1_2
1	OPEN	OPEN
2	CLOSE	OPEN
3	OPEN	CLOSE

NewSense		Drawing by: <i>D.Ben</i> Thursday, November 20, 2003
Code: <Code>	Revision: A	Checked by:
Title: B111	Sheet 1 of 1	Approved by:

使用此图必须按实际应用情况进行调整。

RECEIVED 2 2 MAR 20