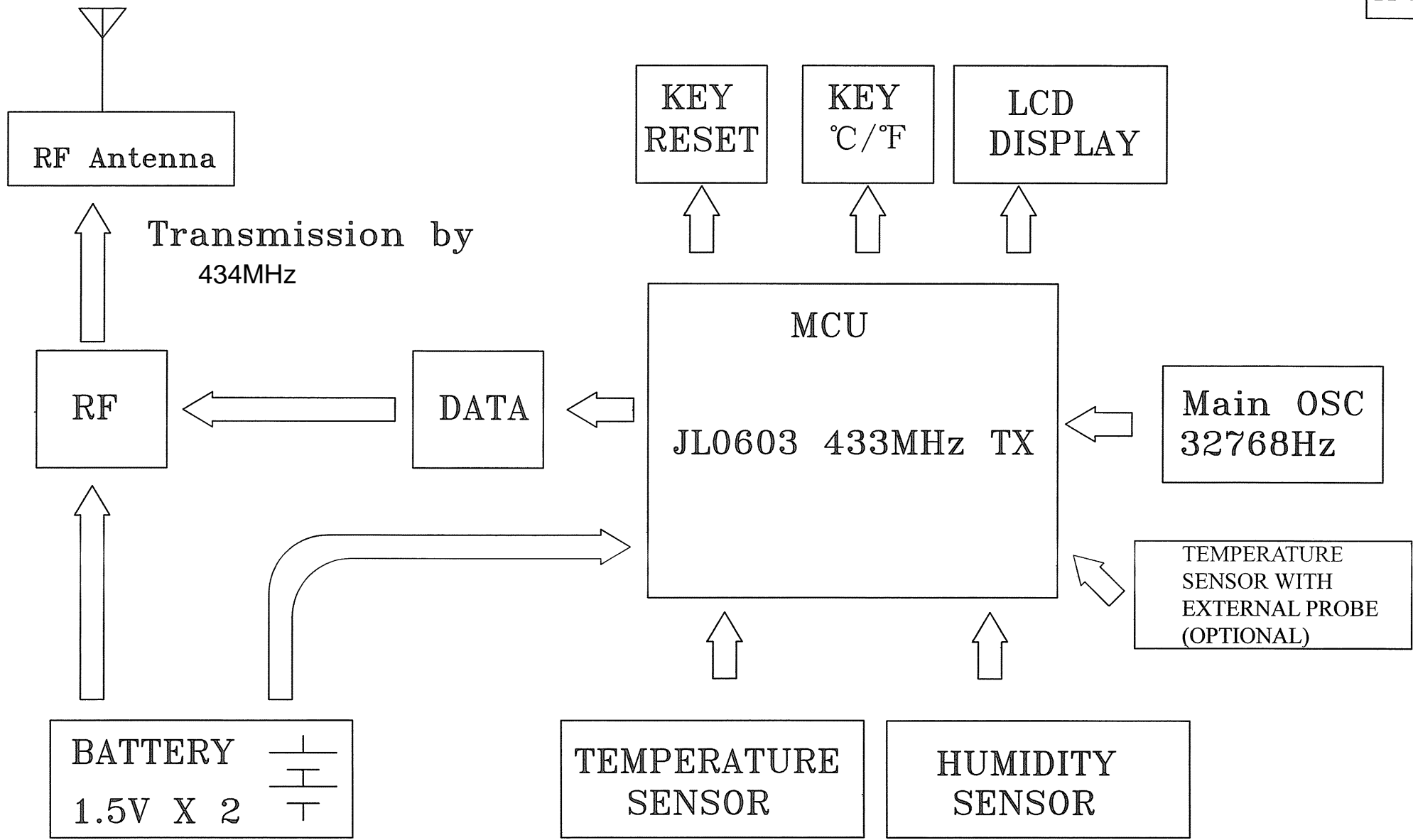
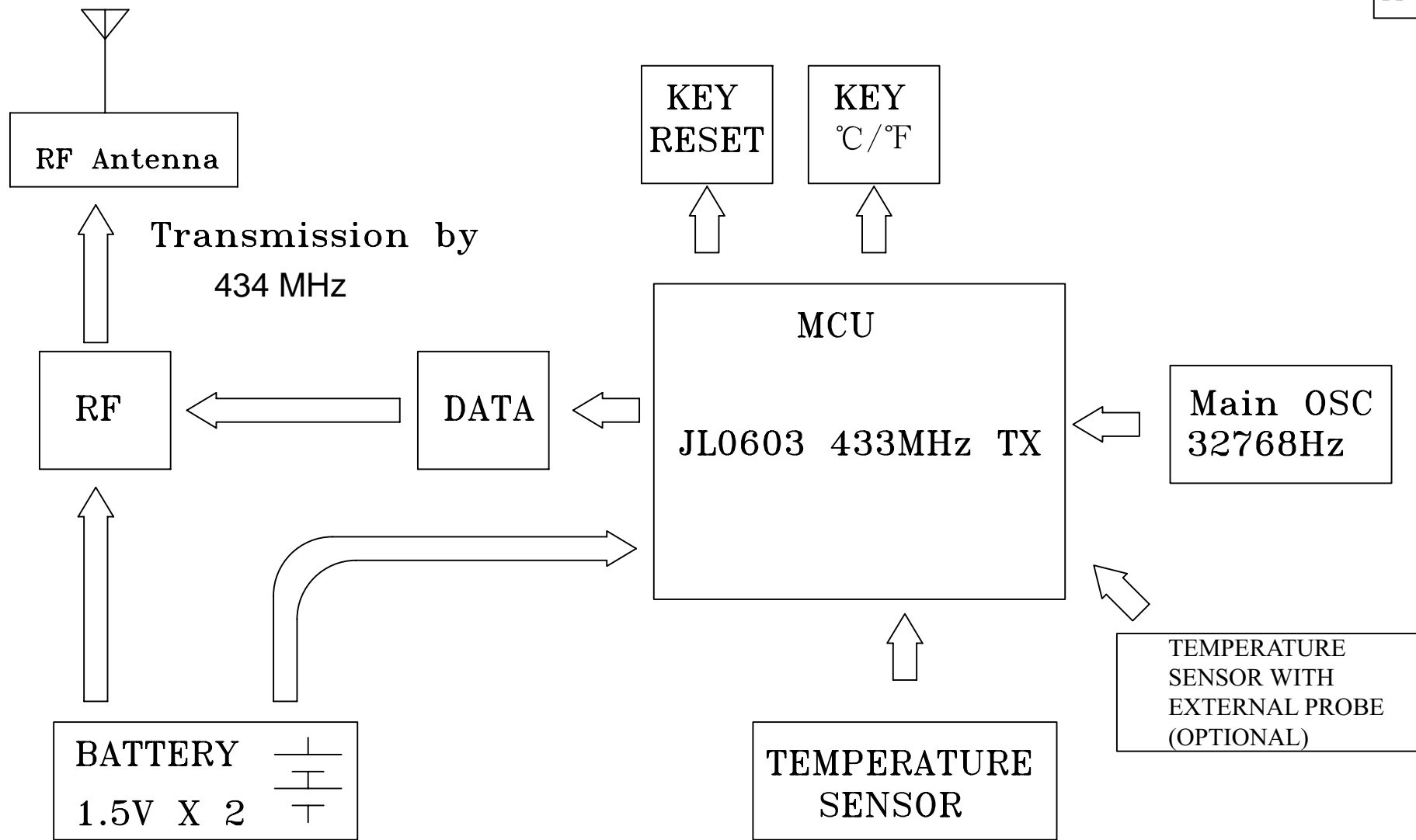


PICADOR ELECTRONIC LTD.		DESIGN	陈桂钦	2006/05/08	APPROVAL		UNIT	mm
		CHECK			general tolerance	$\pm 0.5^{\circ} \pm 0.10$	SCALE	
MODEL NO	00605Tx Main	PART NAME			MATERIAL			
PCB NO		BLOCK DIAGRAM						
BOM NO.		REV.	V1		PAGE No.	1 OF 1		

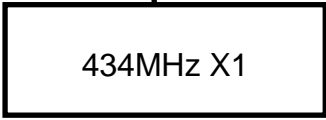
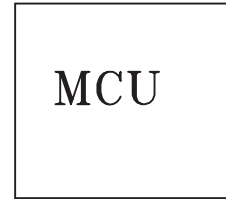
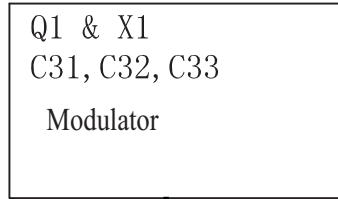
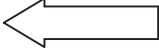
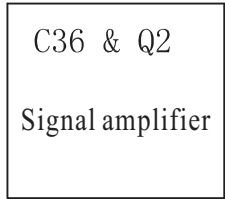
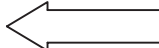
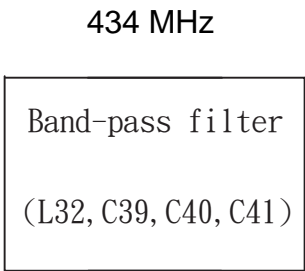


PICADOR ELECTRONIC LTD.		DESIGN	陈桂铁 2006/05/08	APPROVAL		UNIT	mm
		CHECK		general tolerance	± 0.5° ± 0.10	SCALE	
MODEL NO	75070TX	PART NAME		MATERIAL			
PCB NO		BLOCK DIAGRAM					
BOM NO.		REV.	V1	PAGE No.	1 OF 1		



PICADOR ELECTRONIC LTD.		DESIGN	陈桂钦	2006/05/08	APPROVAL		UNIT	mm
		CHECK			general tolerance	±0.5*±0.10	SCALE	
MODEL NO	75070 Main	PART NAME			MATERIAL			
PCB NO		BLOCK DIAGRAM						
BOM NO.		REV.	V1		PAGE No.		1 OF 1	

Antenna



PICADOR ELECTRONIC LTD.		DESIGN	陈桂钦	2006/05/08	APPROVAL		UNIT	mm
		CHECK			general tolerance	± 0.5° ± 0.10	SCALE	
MODEL NO	75070Tx	PART NAME			MATERIAL			
PCB NO		BLOCK DIAGRAM						
BOM NO.		REV.	V1		PAGE No.		1 OF 1	