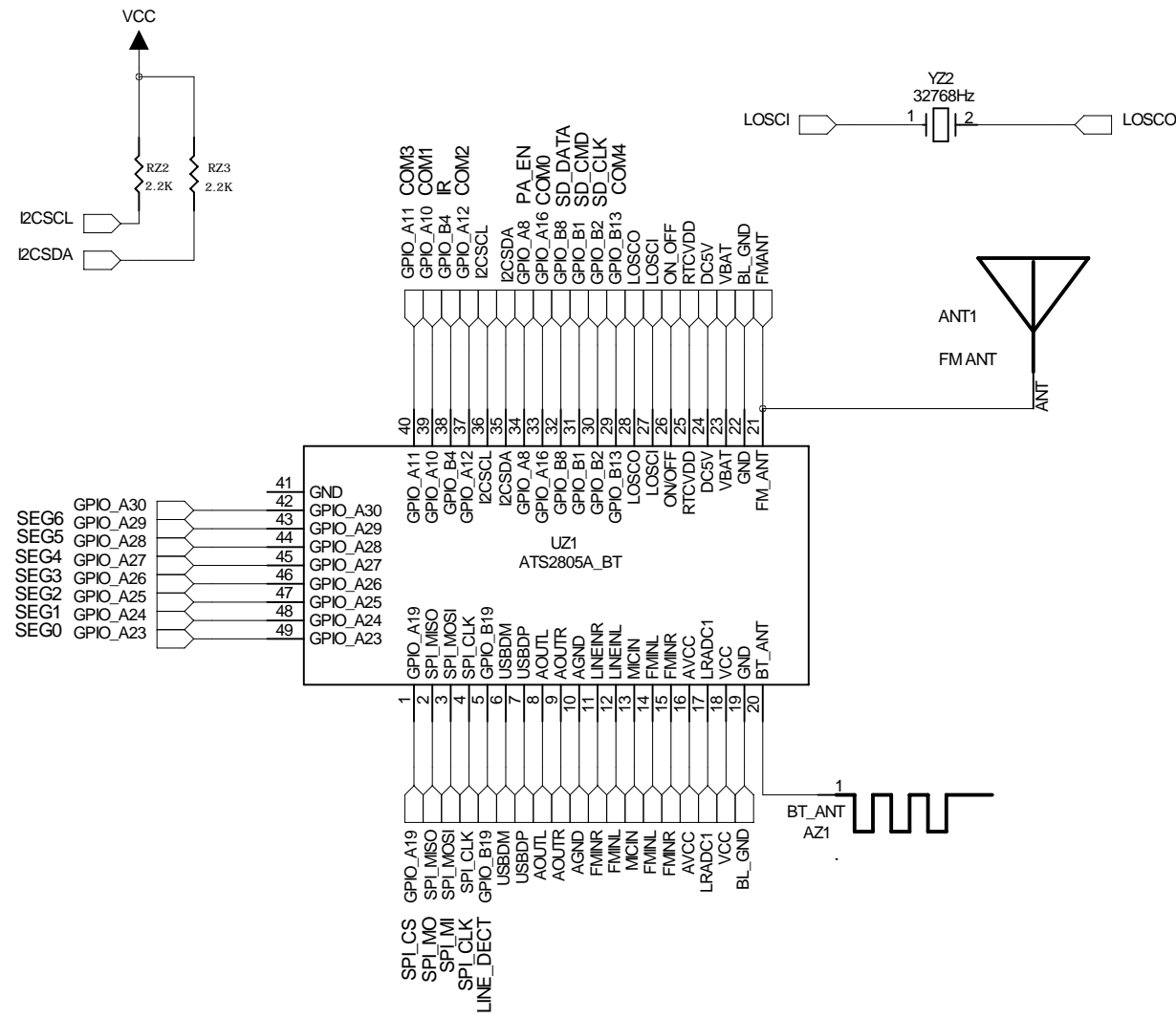
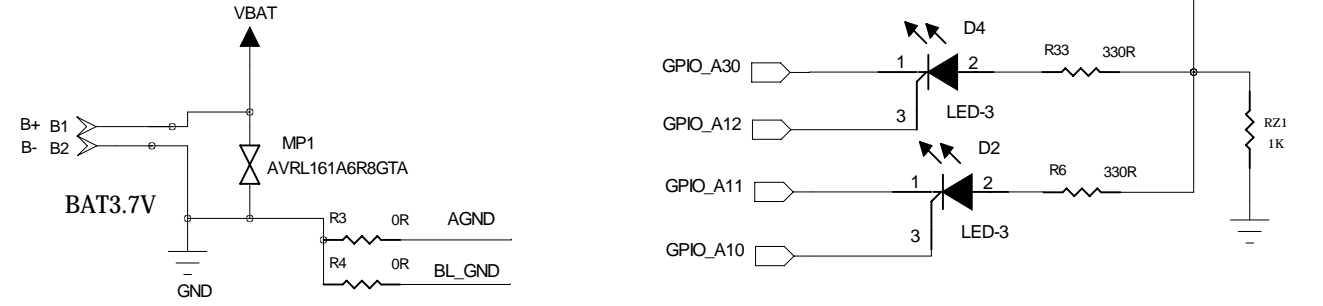


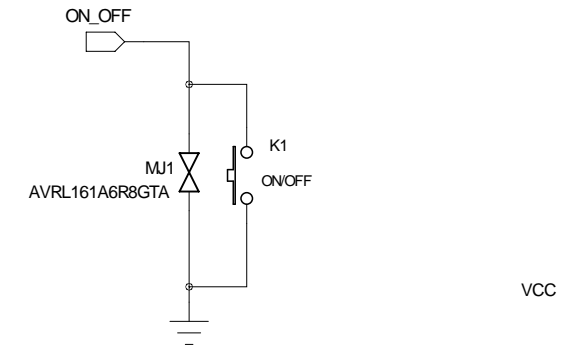
CORE



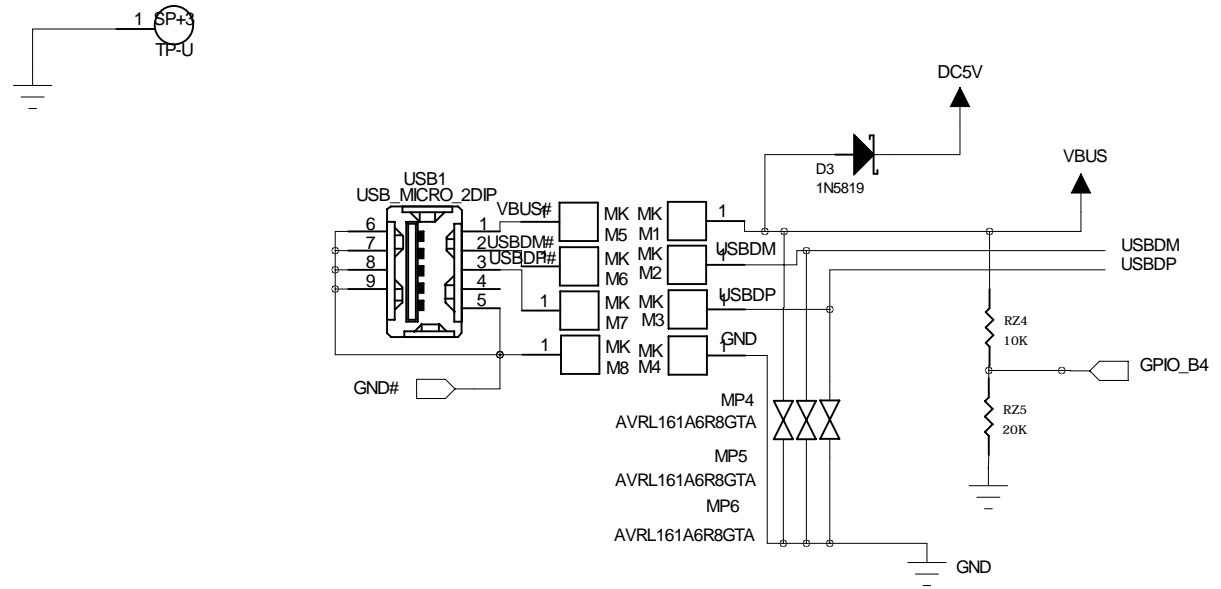
POWER



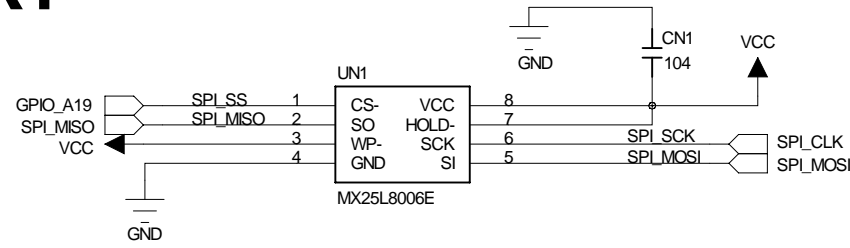
ON/OFF



USB



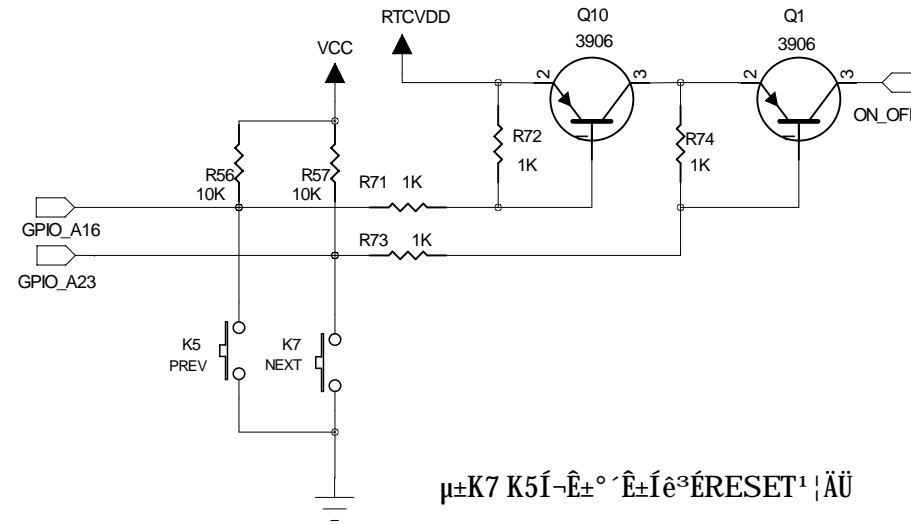
MEMORY



MAIN

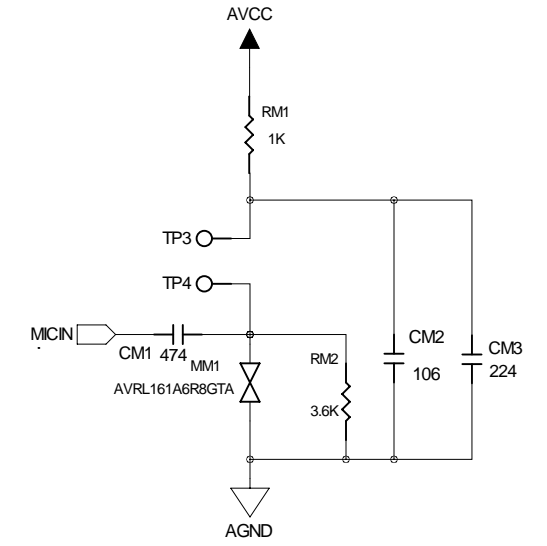
File name: AT2805_MAIN	
Sheet name: MAIN	
Drawing No:	Version: V2.0
Drawn By: FANG JIA QUN	Date: 2013-9-27
Checked By:	Date:
Approved By:	Date:
Size: A3	Sheet: 1 of 2

RESET

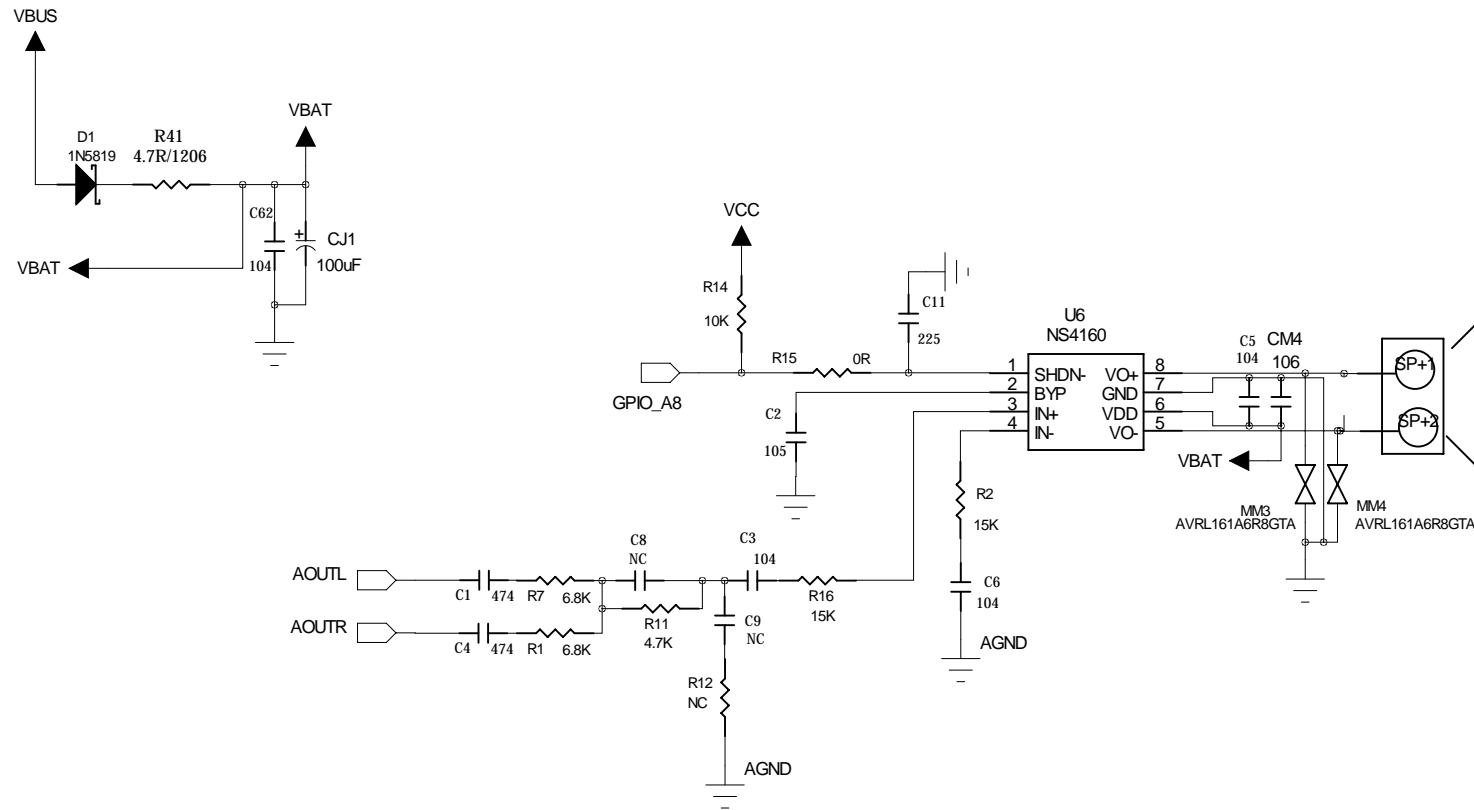


μK7 K5Í-Ê±°´Ê±Íê³ÉRESET¹|ÄÜ

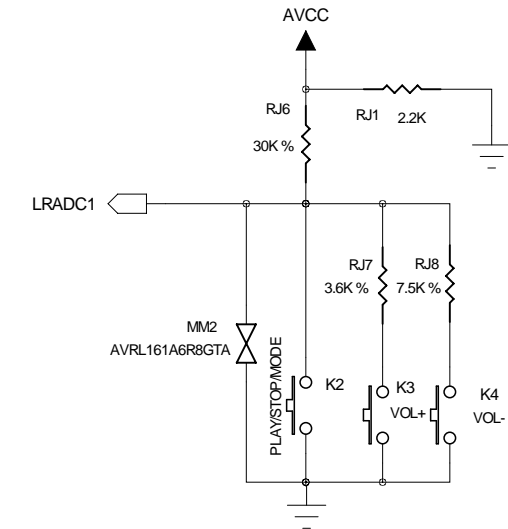
MIC



1 | . Å



The AVCC pull-up resistance should be placed near the MCU.



AUDIO&CONNECTOR

File name: AT52805_MAIN	
Sheet name: AUDIO&CONNECTOR	
Drawing No:	Version: V2.0
Drawn By: FANG JIA QUN	Date: 2015-3-31
Checked By:	Date:
Approved By:	Date:
Size: A3	Sheet: 2 of 2