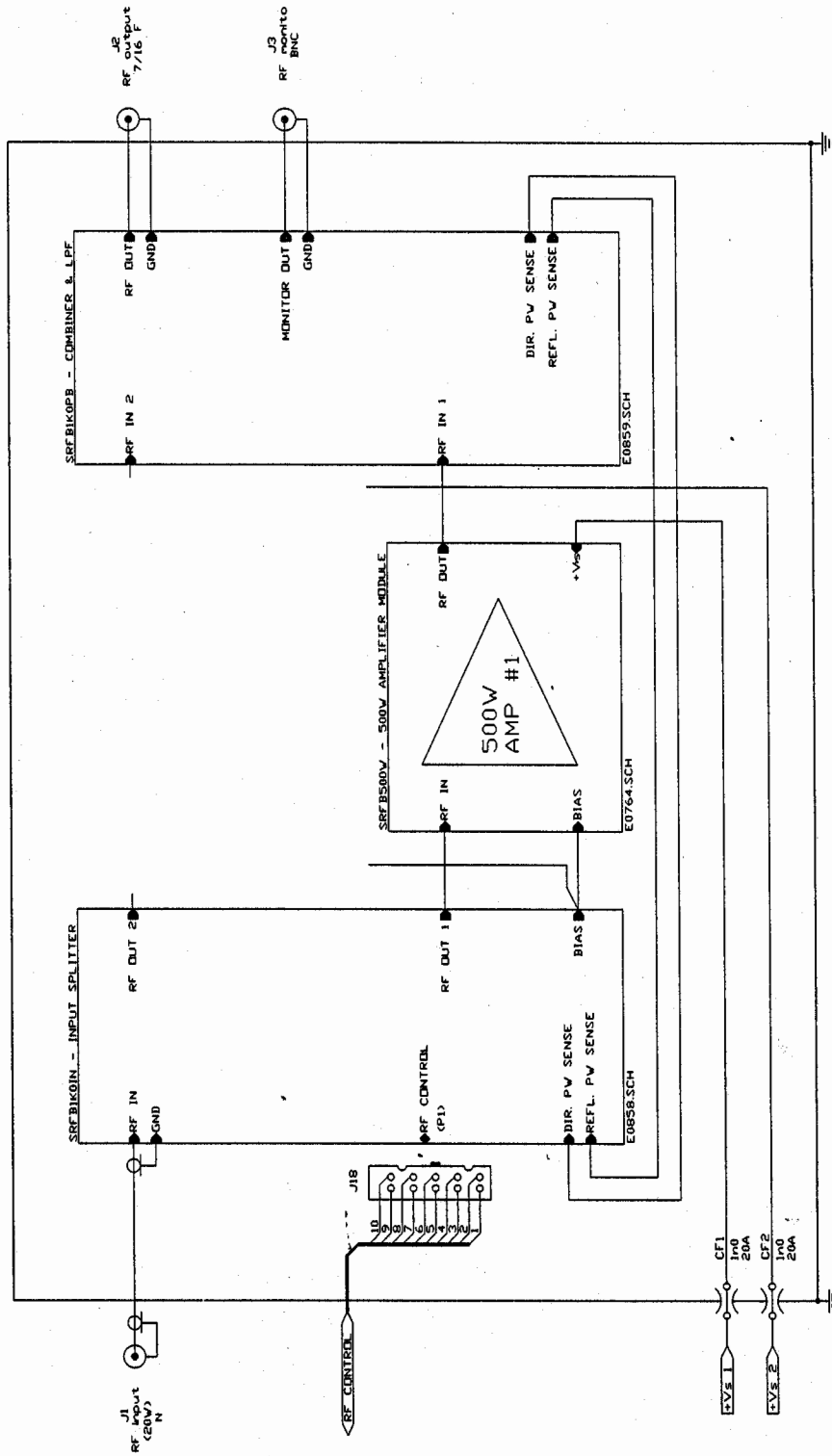
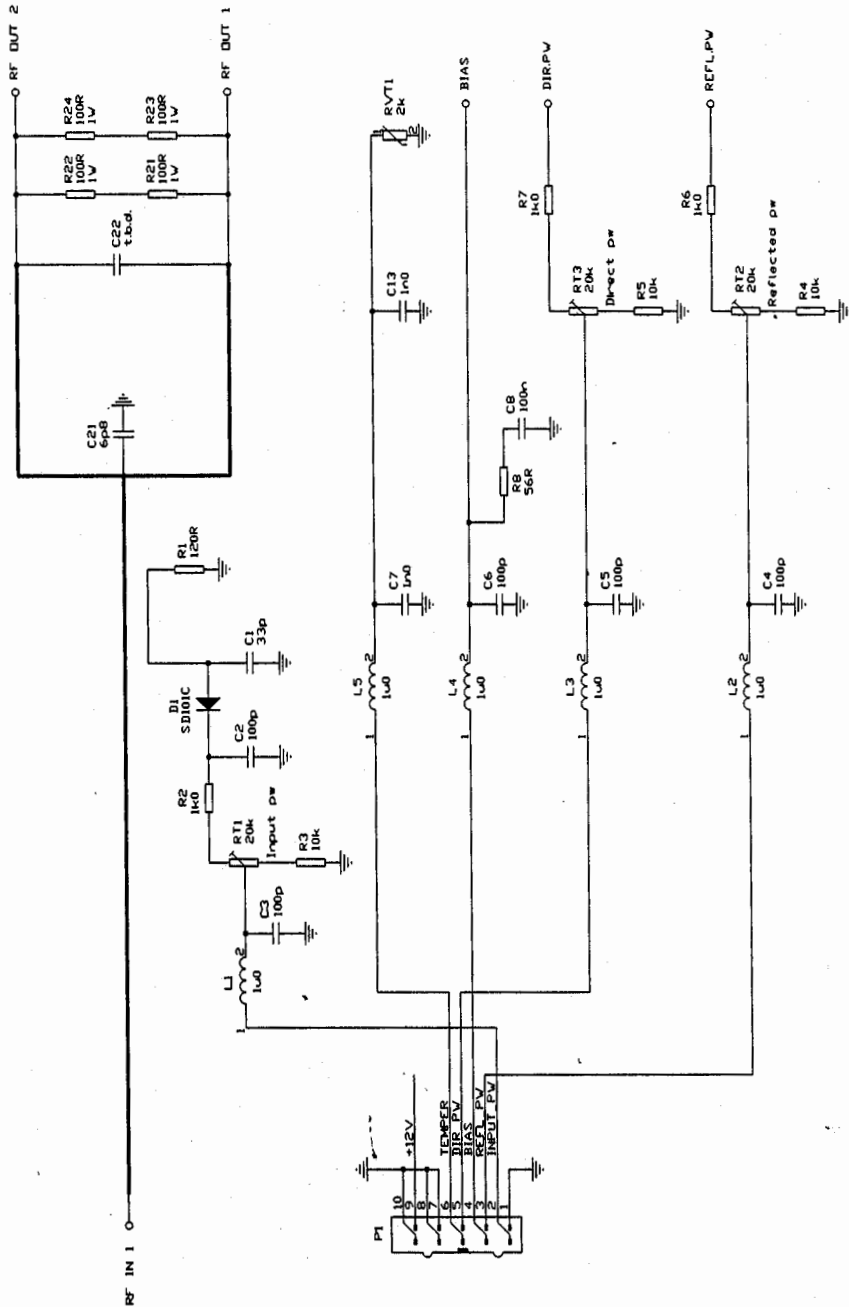


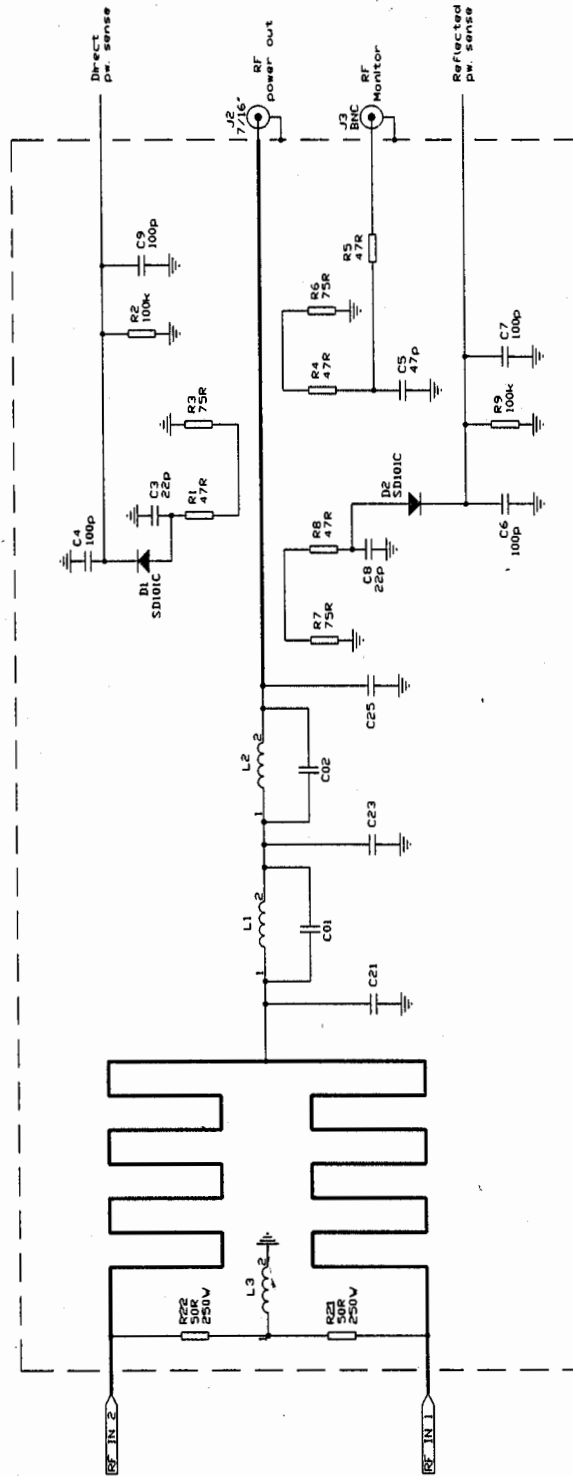
NA 501SM RF AMPLIFIER ASSEMBLY - ELECTRICAL DIAGRAM



SRFB1K0IN - 2-PORT RF INPUT SPLITTER ELECTRICAL DIAGRAM



SRFB1K0PB - 2-PORT RF OUTPUT COMBINER & LPF ELECTRICAL DIAGRAM



SRFB500W - 500W AMPLIFIER MODULE ELECTRICAL DIAGRAM

