

# LF(134KHz) RFID Antenna Specification

Revision 1.1  
28/OCT./ 2021

CanTops Corp.

<b>Approval Signatures</b> :	<input type="checkbox"/> Name (Job Position)	<input type="checkbox"/> Name (Job Position)	<input type="checkbox"/> Name (Job Position)
	Date:	Date:	Date:

**Copyright ©2021 This document contains confidential information of CanTops and is not to be disclosed or used except in accordance with applicable contracts or agreements. This document must be rendered illegible when being discarded.**

(Page intentionally left blank)

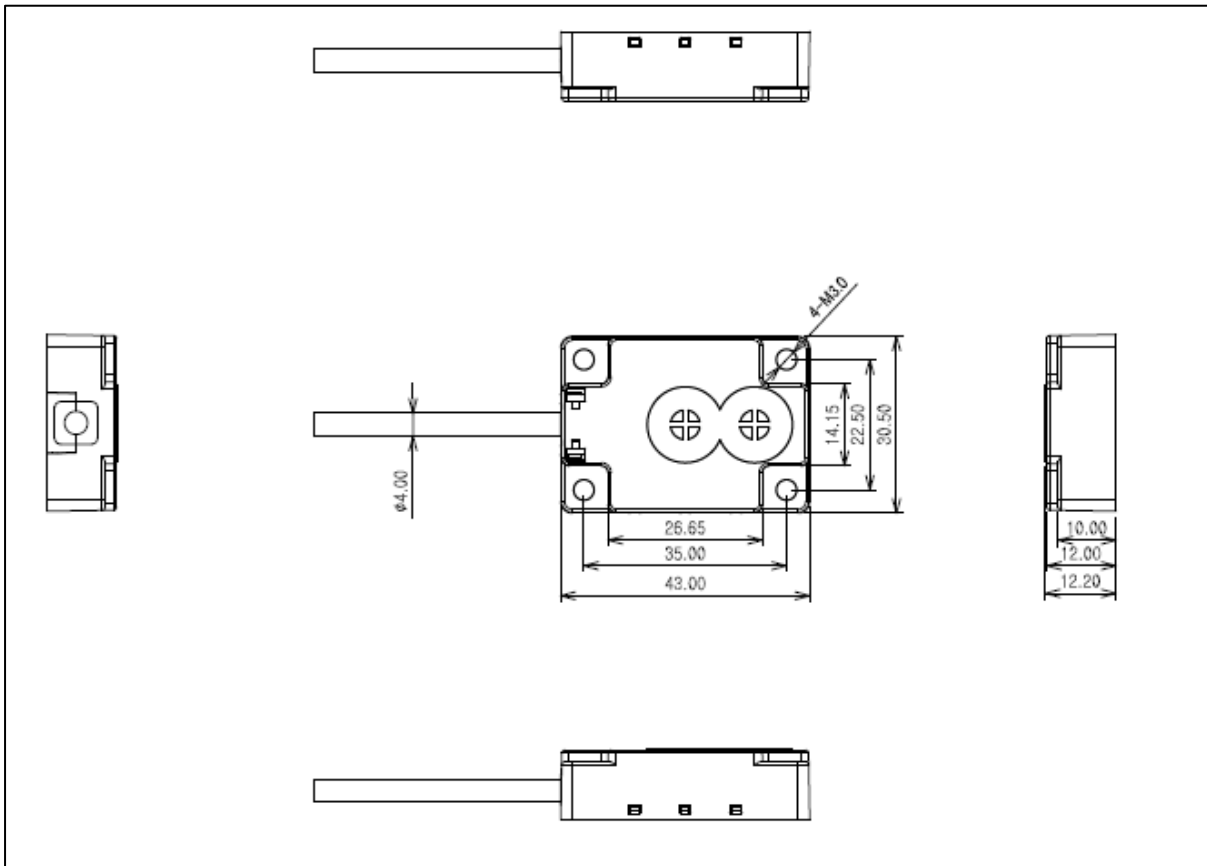
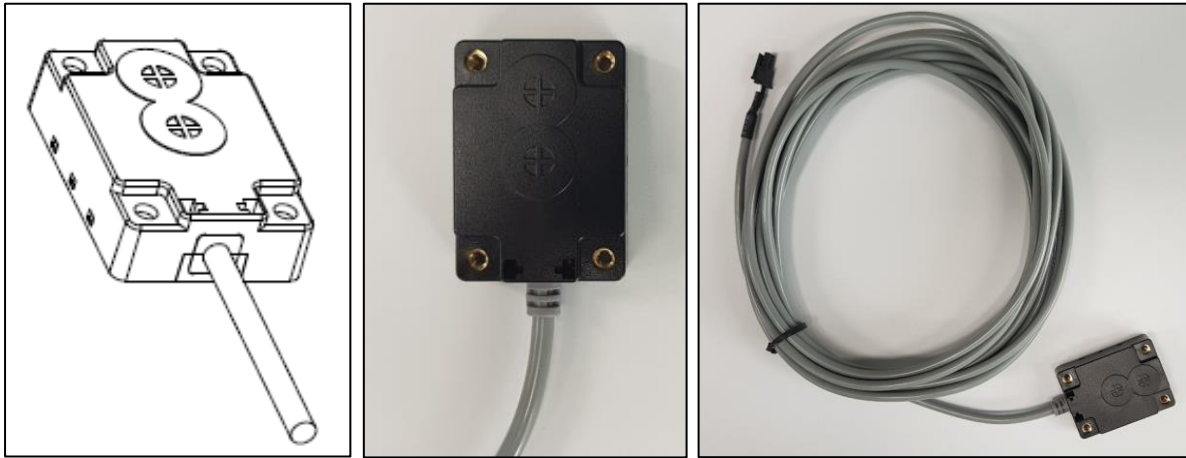
- 1. CTS-STBA ANTENNA..... 4**
  - 1.1. PRODUCT PICTURES & MECHANICAL SPEC ..... 4**
  - 1.2. PRODUCT CODE AND SPECIFICATION ..... 5**
  - 1.3. ACTIVE PATTERN OF CTS-STBA WITH TAG..... 6**
  
- 2. CTS-RFID(STICK TYPE) ANTENNA ..... 7**
  - 2.1. PRODUCT PICTURES & MECHANICAL SPEC ..... 7**
  - 2.2. PRODUCT CODE AND SPECIFICATION ..... 10**
  - 2.3. ACTIVE PATTERN OF STICK ANTENNA WITH TAG..... 12**
  
- 3. SUPPORTED RFID READER ..... 13**

**Revision History:**

<b>Rev.</b>	<b>Date</b>	<b>Location</b>	<b>Description of Change</b>
1.1	2021. JUN.29	All	- Cahnged doc format Added new antenna (LED ant) Changed supported cable length
	2021.OCT.28	Phase2	changed title 2. STICK TYPE ANTENNA => CTS-RFID(STICK TYPE) ANTENNA
		Phase3	Add comments about old name

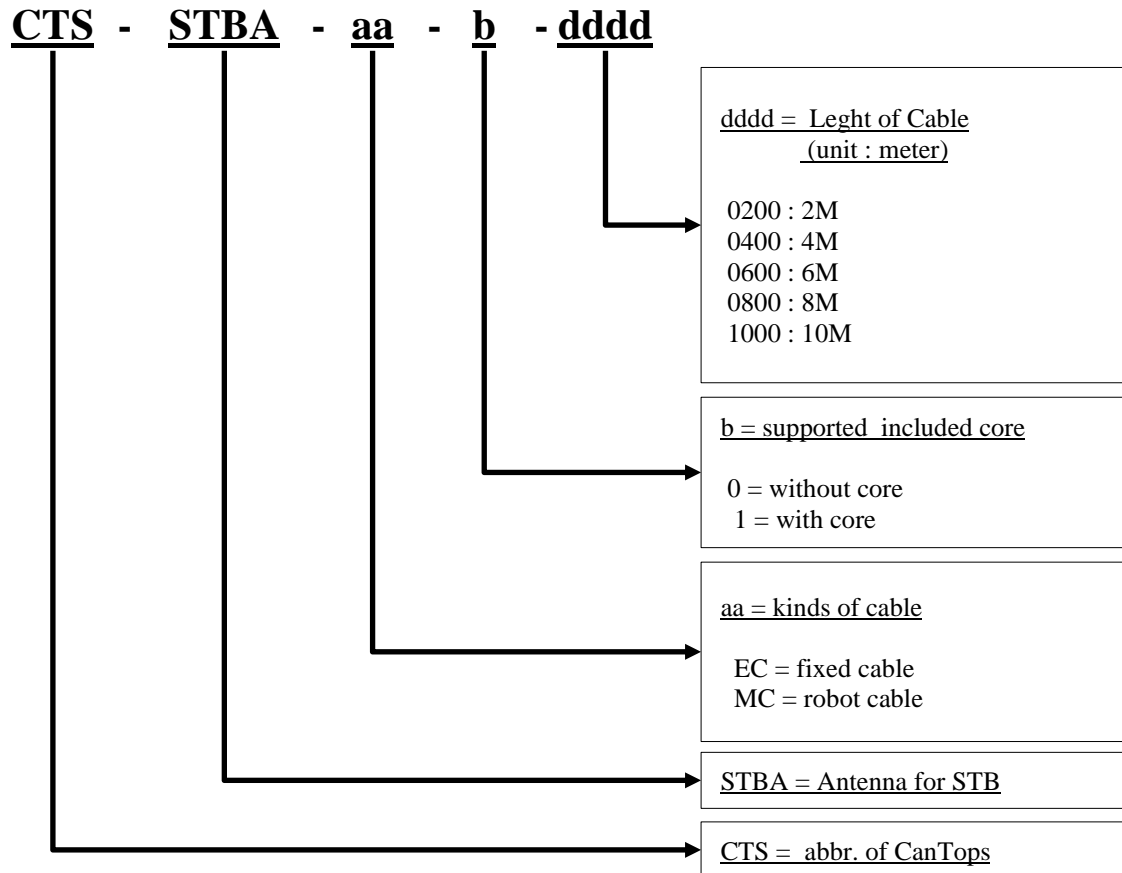
# 1. CTS-STBA ANTENNA

## 1.1. Product Pictures & mechanical Spec



## 1.2. Product Code and Specification

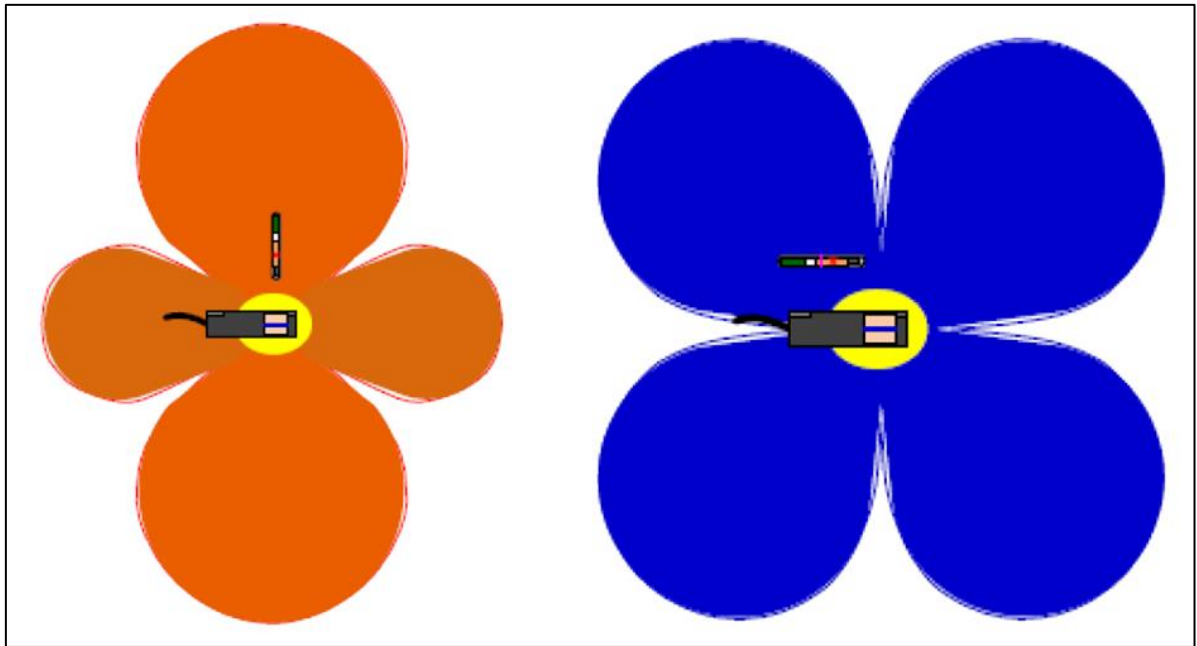
- Product Code



- Product General Spec

PARAMETER	DESCRIPTION	UNIT
Inductance	Typically 110 $\mu$ H @ 134.2 kHz	
Case material	Polycarbonate	
Dimensions	43x30.5x12	mm
Weight	310g (Cable =10meter)	
Cable Length	2~10	meters
Operating temperature	0 ~ 50	$^{\circ}$ C
Storage temperature	-25 ~70	$^{\circ}$ C

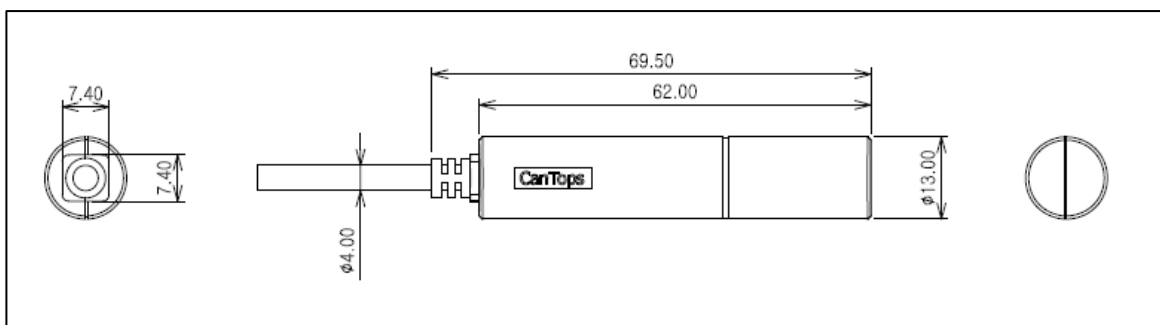
### 1.3. Active pattern of CTS-STBA with TAG



## 2. CTS-RFID(STICK TYPE) ANTENNA

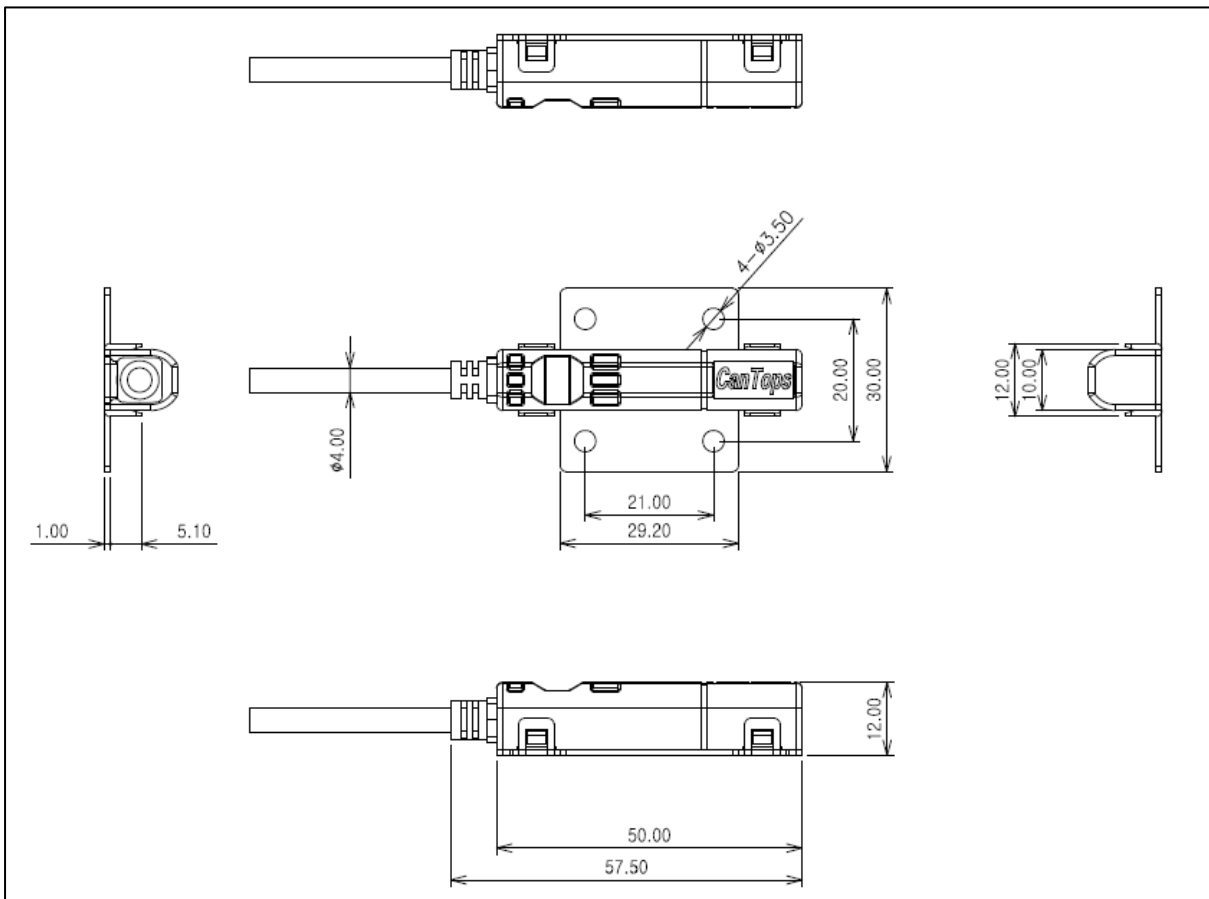
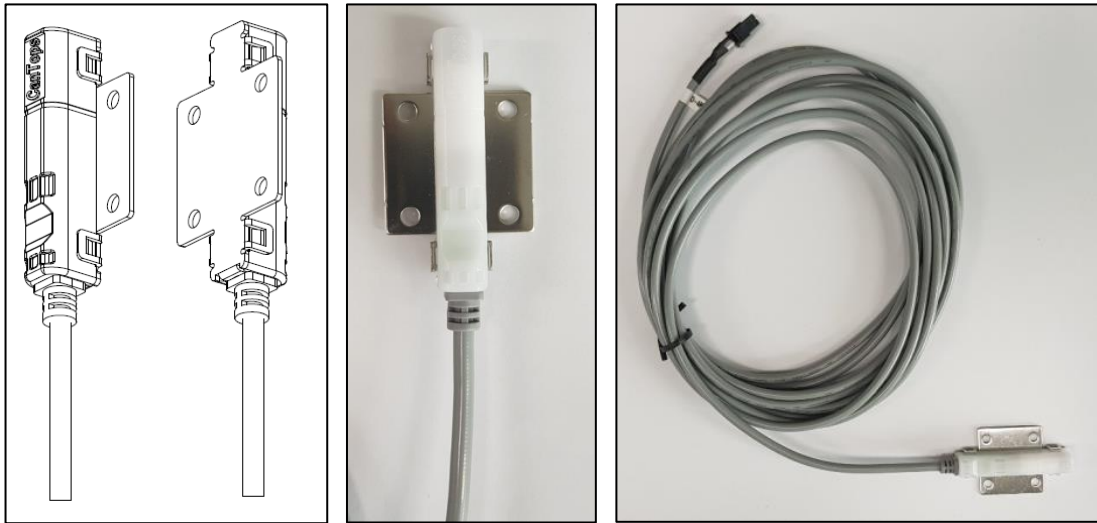
### 2.1. Product Pictures & mechanical Spec

- CTS-RFID-AC

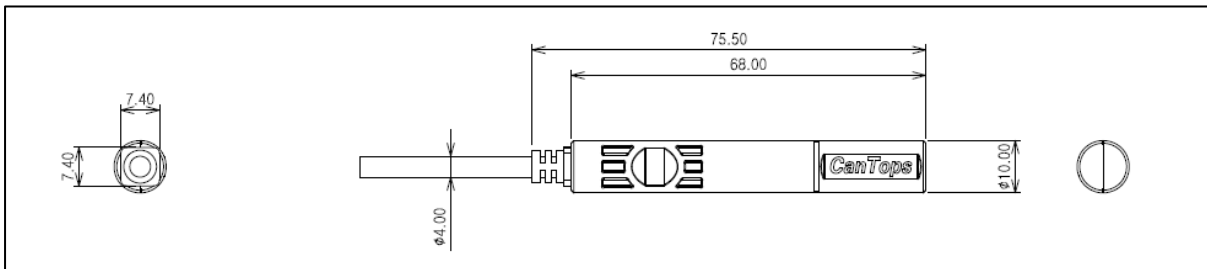
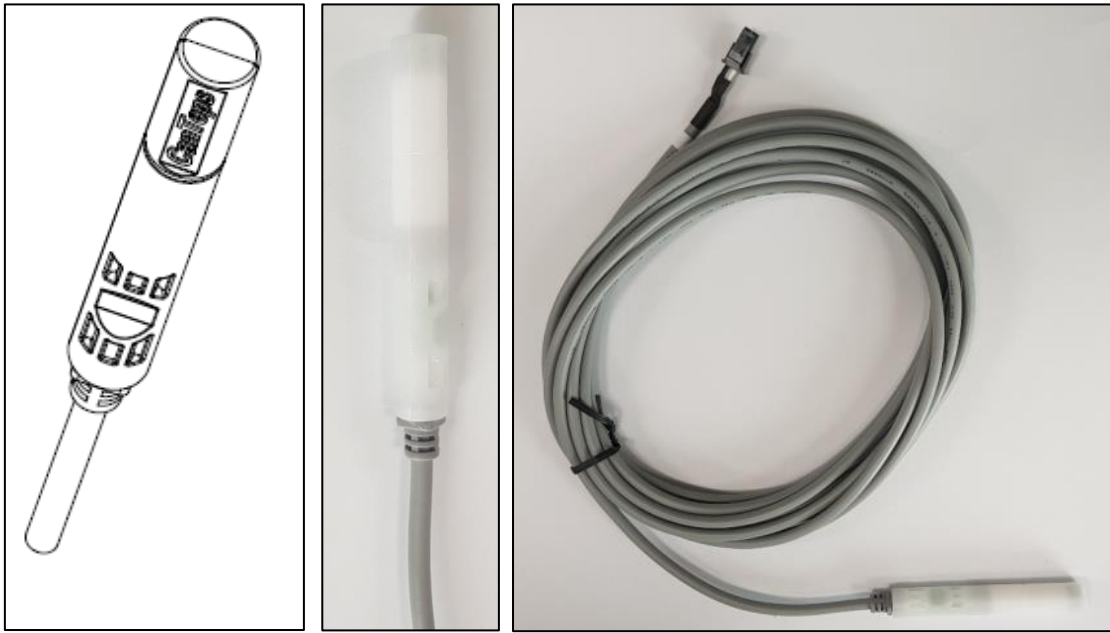




- CTS-RFID-AO



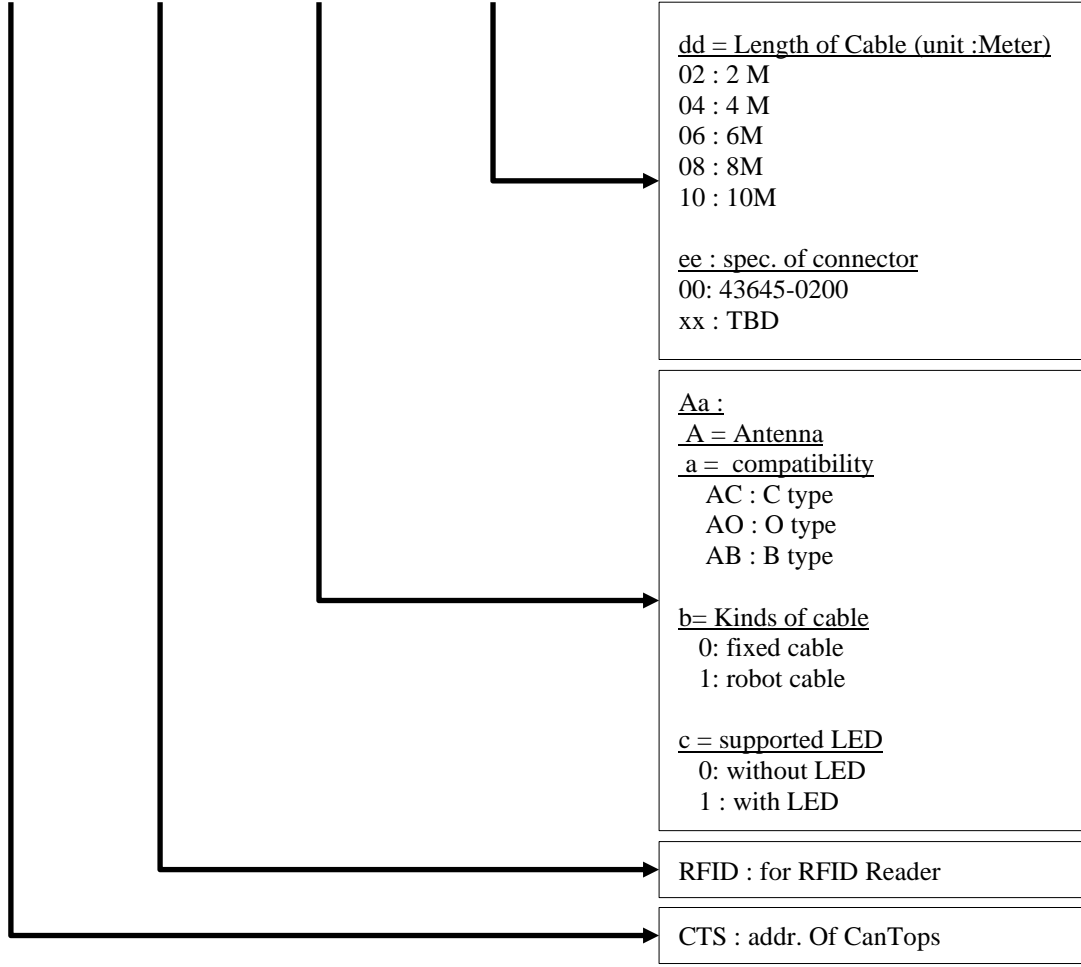
- CTS-RFID-AB



## 2.2. Product Code and Specification

- Product Code

**CTS - RFID - Aabc - ddee**



- CTS-RFID-AC general spec.

PARAMETER	DESCRIPTION	UNIT
Inductance	Typically 110 $\mu$ H @ 134.2 kHz	
Case material	Polycarbonate	
Dimensions	Dia.=13, length = 62	mm
Weight	310g (Cable =10meter)	g
Cable Length	2~10	meters
Operating temperature	0 ~ 50	°C
Storage temperature	-25 ~70	°C

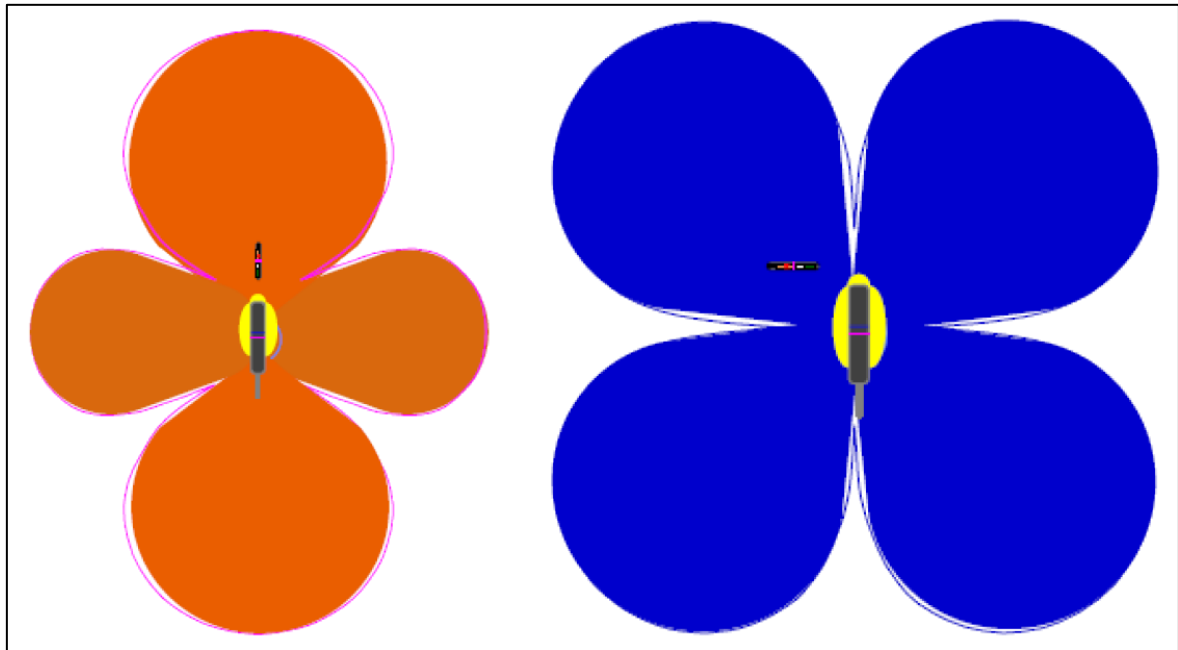
- CTS-RFID-AO general spec.

PARAMETER	DESCRIPTION	UNIT
Inductance	Typically 110 $\mu$ H @ 134.2 kHz	
Case material	Polycarbonate	
Dimensions	50x12x12 Base : 29.2*29.2	mm
Weight	310g (Cable =10meter)	g
Cable Length	2~10	meters
Operating temperature	0 ~ 50	°C
Storage temperature	-25 ~70	°C

- CTS-RFID-AB general spec.

PARAMETER	DESCRIPTION	UNIT
Inductance	Typically 110 $\mu$ H @ 134.2 kHz	
Case material	Polycarbonate	
Dimensions	Dia.=10, length = 68	mm
Weight	310g (Cable =10meter)	g
Cable Length	2~10	meters
Operating temperature	0 ~ 50	°C
Storage temperature	-25 ~70	°C

### 2.3. Active pattern of Stick Antenna with TAG



### 3. SUPPORTED RFID READER

	CTS-STBA series	CTS-RFID-A series
CTS-STBR-AA series	O	X
CTS-STBR-AB series	O	X
CTS-STBR-AC series	O	X
CTS-STBR-AD series	O	X
CTS-STBR-AE series	O	O
CTS-RFID-LM series	O	O
nCC series	O	O
nGC series	O	O
LC24/LC24D series	O	O

\*Antenna code name chagned

The code “CTS-RFID-AA” is changed to CTS-RFID-AC-x1

The code “ CTS-RFID-AB” is changed to CTS-STBA

**\*) This specification would be changed without notices for improving perfomace.**