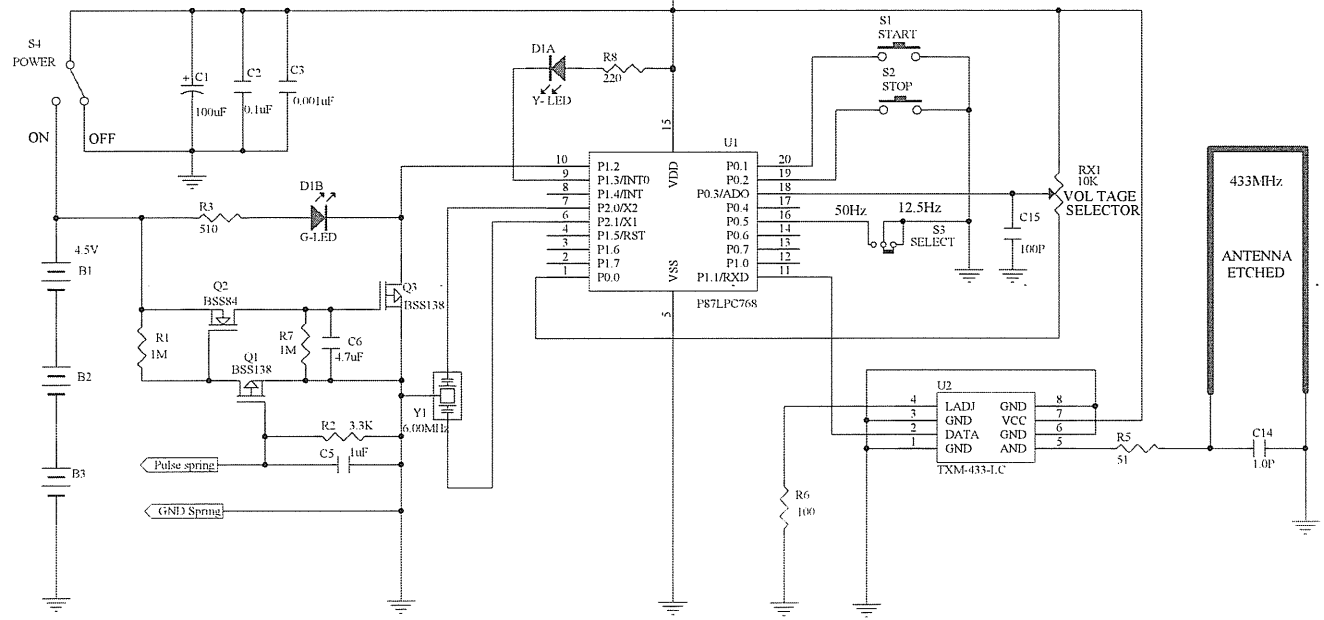


REV	ECN	BY	DESCRIPTION	MFG	ENGR	DATE
S1	120104	CHENFEIYUN	CHANGE NEW REV S1			



LAST USED REFERENCE DESIG					UNLESS OTHERWISE NOTED ALL RESISTORS ARE 1/4W 5% IN OHMS	APPROVED		
AN1	B3	C15	D2			CHECKED		
S4		R7	RX1			DESIGNED	CHENFEIYUN	2006.FEB.08
Y1	U2					DRAWING		

Title		
PMT SCHEMATIC CONTROLLER		
Size A4	Number C100-PMTC-110001 S3 V.1	Revision HK-PMTC S3 V.1
Date: 8-Feb-2006	Sheet of 1 OF 1	
File: E:\chen\PMTC FILE\controller S3 Version\Controlr S3.d6\HENFY		