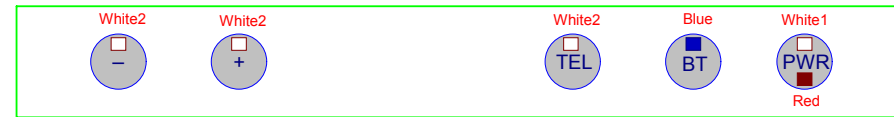
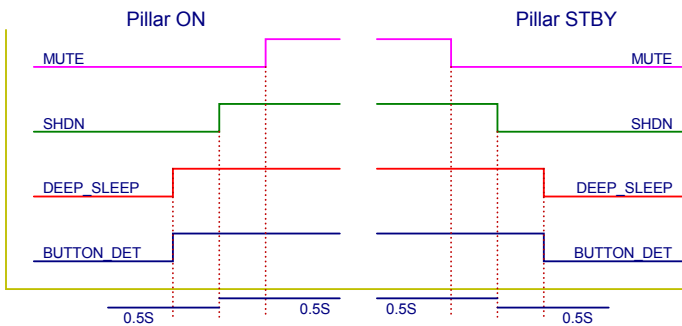
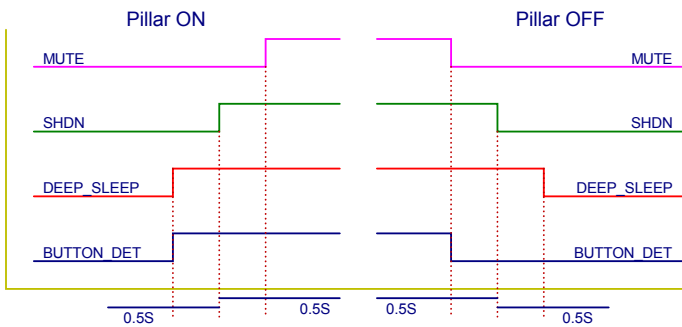
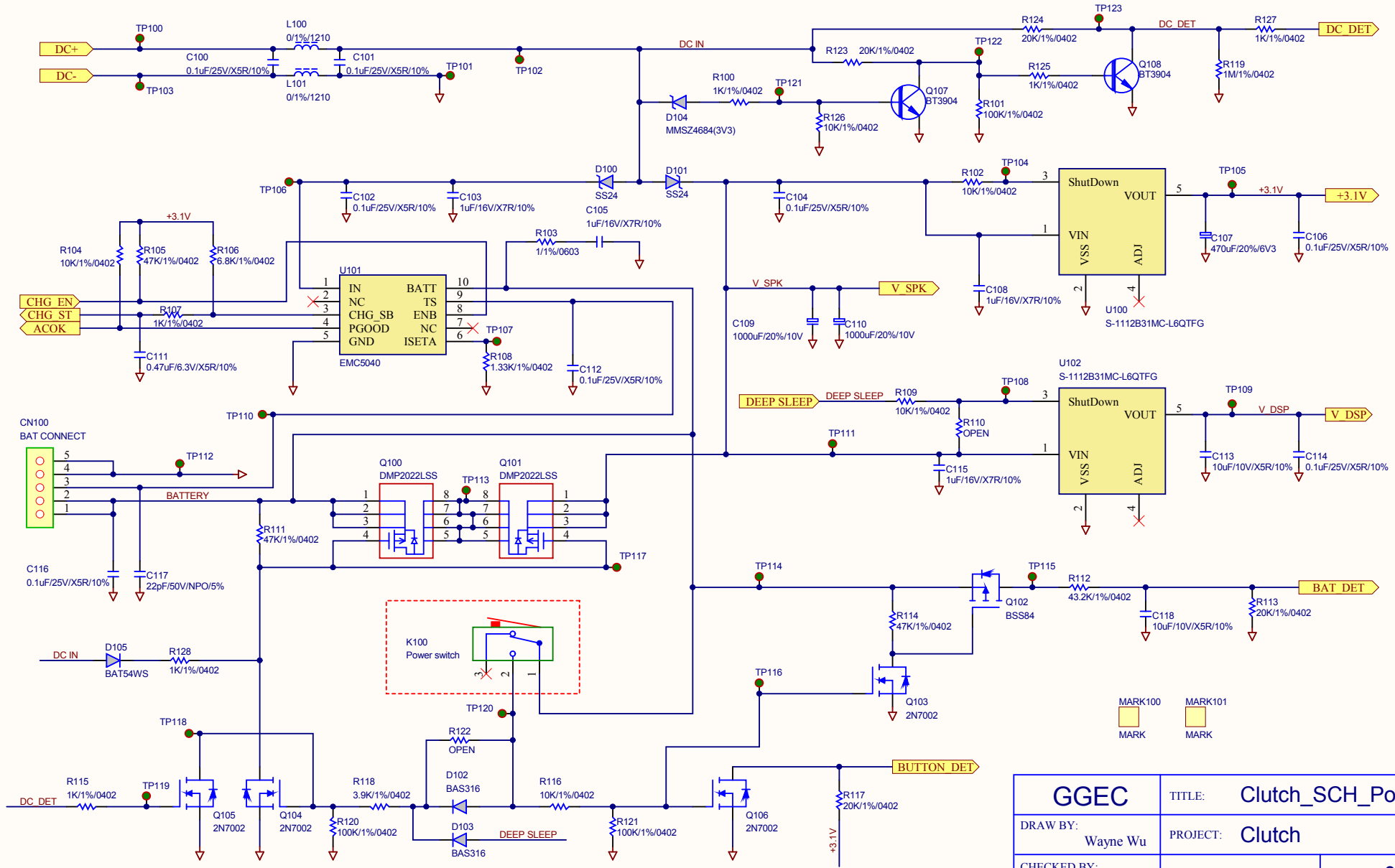


GGEC		TITLE: Clutch Schematic	
DRAW BY: Wayne Wu		PROJECT: Clutch	
CHECKED BY:		DRAW NO:	REV: v0.1
RELEASE DATE: 12-10-21		SIZE: A4	SHEET: 1of8

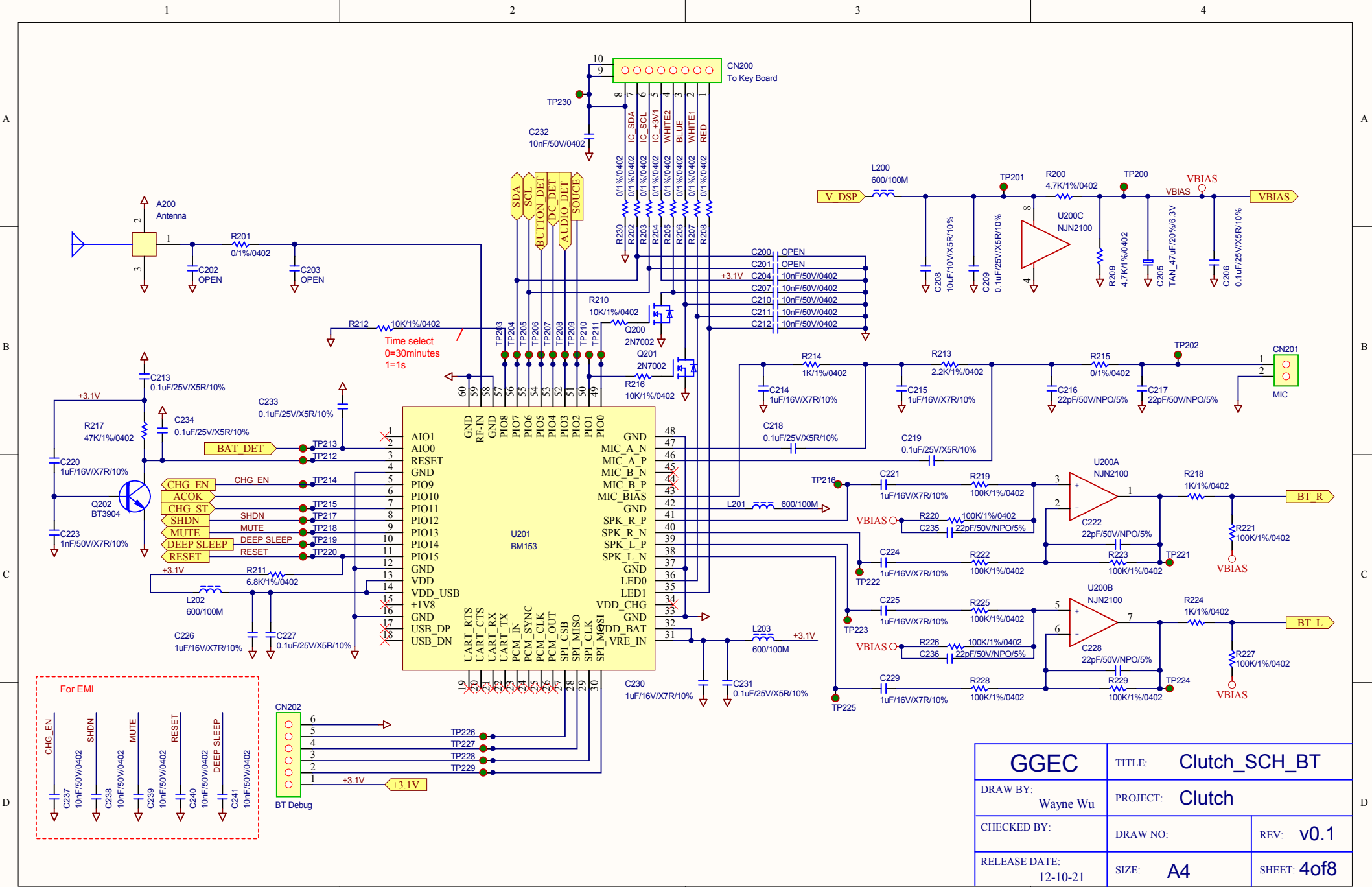
REV	REMARK	DATE
V0.1	Inital	2012-10-21



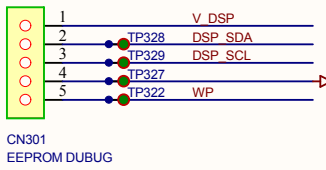
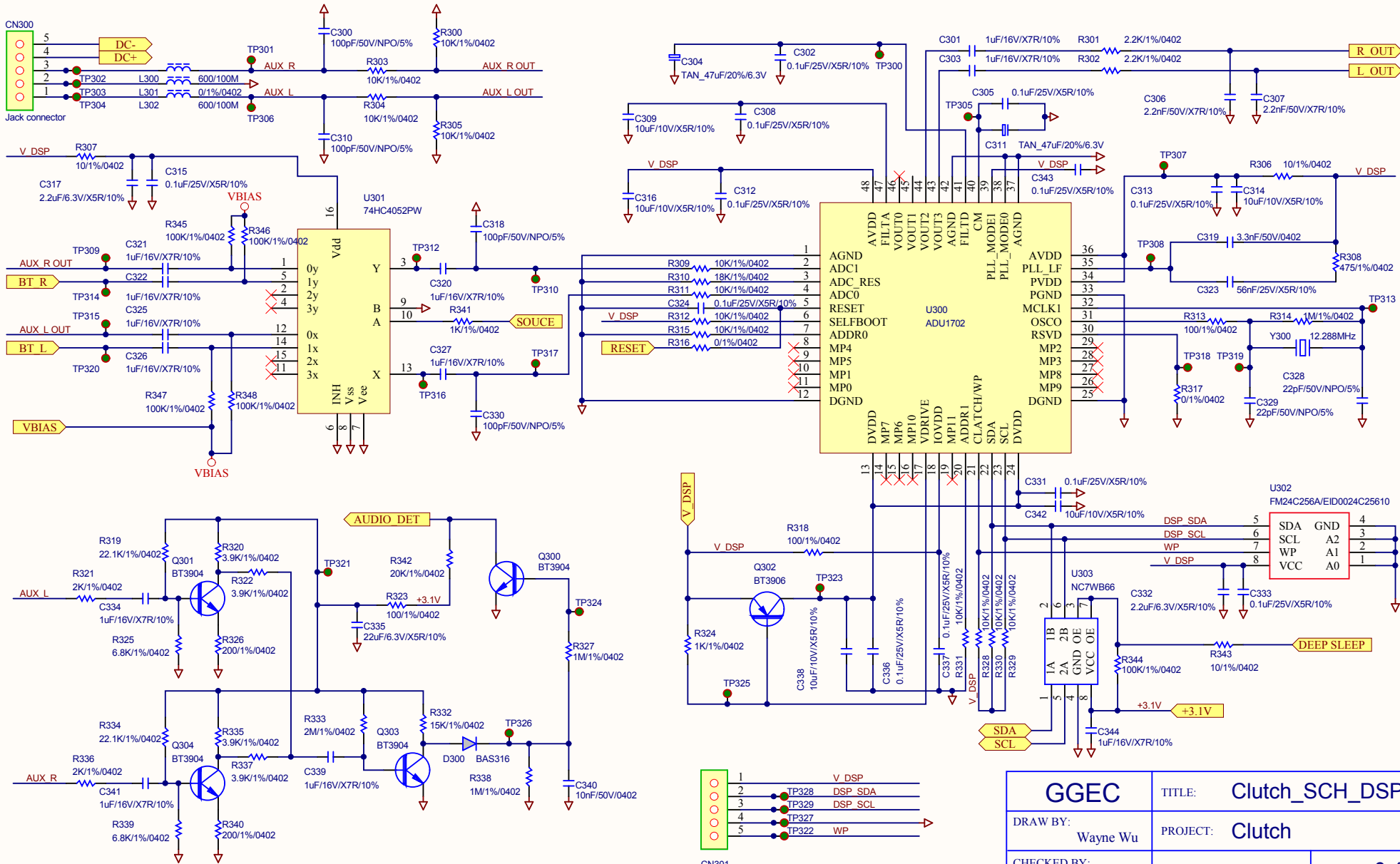
GGEC	TITLE: Clutch_SCH_Rev#	
DRAW BY: Wayne Wu	PROJECT: Clutch	
CHECKED BY:	DRAW NO:	REV: v0.1
RELEASE DATE: 12-10-21	SIZE: A4	SHEET: 2of8



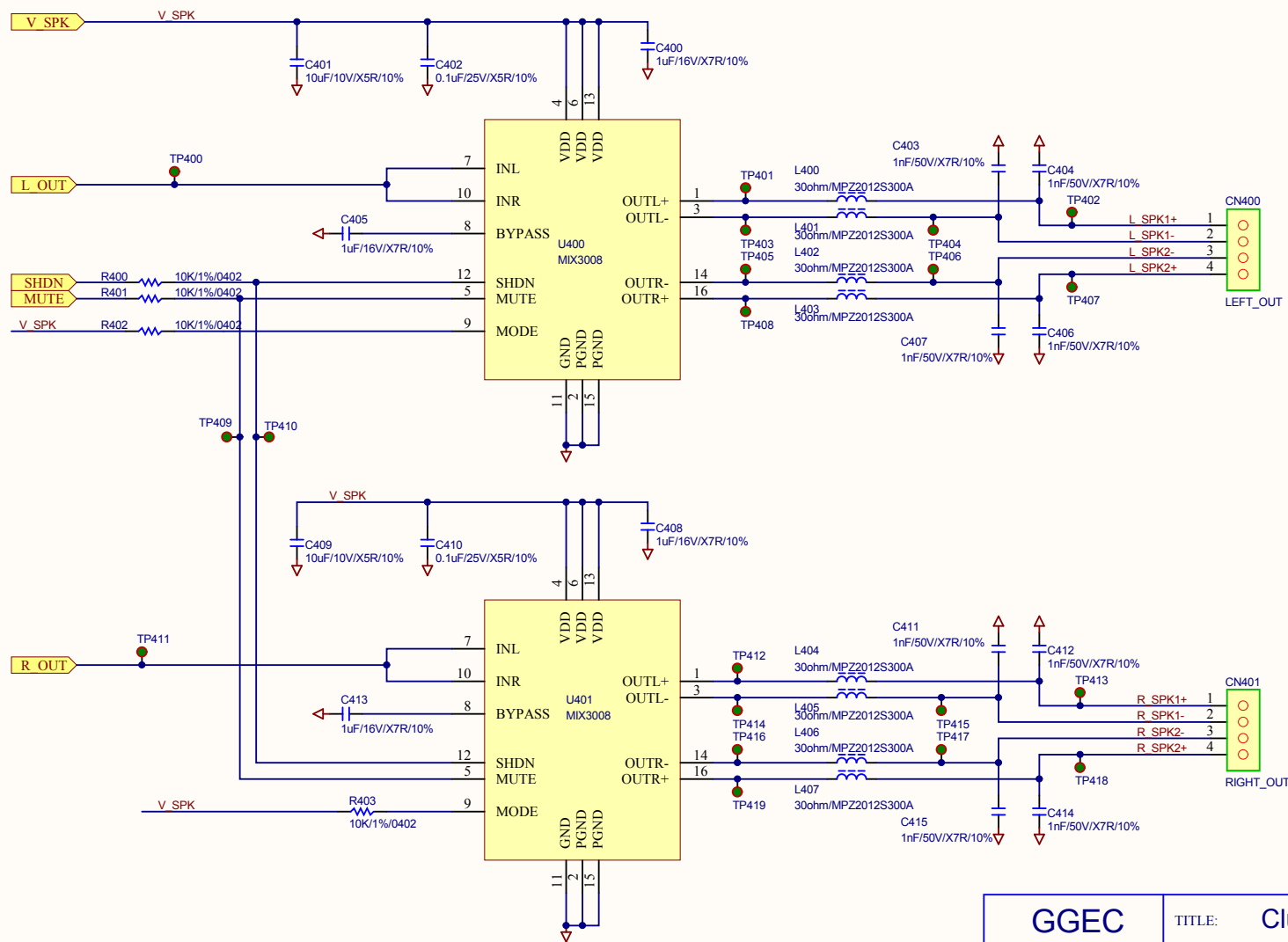
GSEC	TITLE: Clutch_SCH_Power	
DRAW BY: Wayne Wu	PROJECT: Clutch	
CHECKED BY:	DRAW NO:	REV: v0.1
RELEASE DATE: 12-10-21	SIZE: A4	SHEET: 3of8



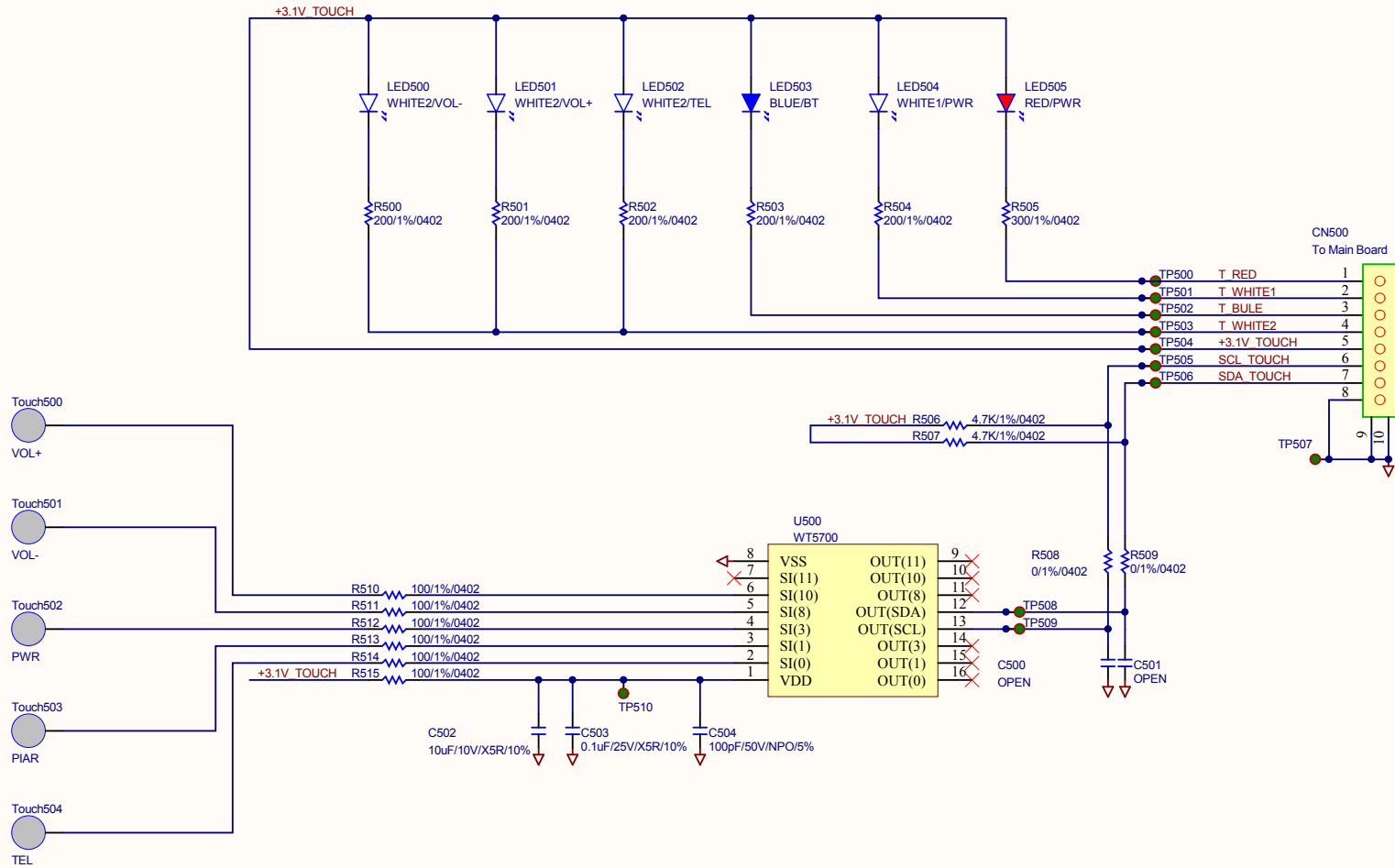
GSEC	TITLE: Clutch_SCH_BT	
DRAW BY: Wayne Wu	PROJECT: Clutch	
CHECKED BY:	DRAW NO:	REV: v0.1
RELEASE DATE: 12-10-21	SIZE: A4	SHEET: 4of8



GGEC	TITLE: Clutch_SCH_DSP	
DRAW BY: Wayne Wu	PROJECT: Clutch	
CHECKED BY:	DRAW NO:	REV: v0.1
RELEASE DATE: 12-10-21	SIZE: A4	SHEET: 5of8



GGEC	TITLE: Clutch_SCH_AMP	
DRAW BY: Wayne Wu	PROJECT: Clutch	
CHECKED BY:	DRAW NO:	REV: v0.1
RELEASE DATE: 12-10-21	SIZE: A4	SHEET: 6of8



GGEC	TITLE: Clutch_SCH_Keys	
DRAW BY: Wayne Wu	PROJECT: Clutch	
CHECKED BY:	DRAW NO:	REV: v0.1
RELEASE DATE: 12-10-21	SIZE: A4	SHEET: 7of8

1

2

3

4

A

A

B

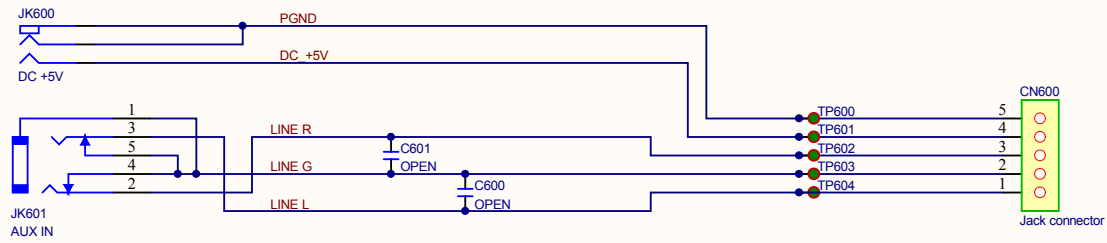
B

C

C

D

D



MARK600

 MARK

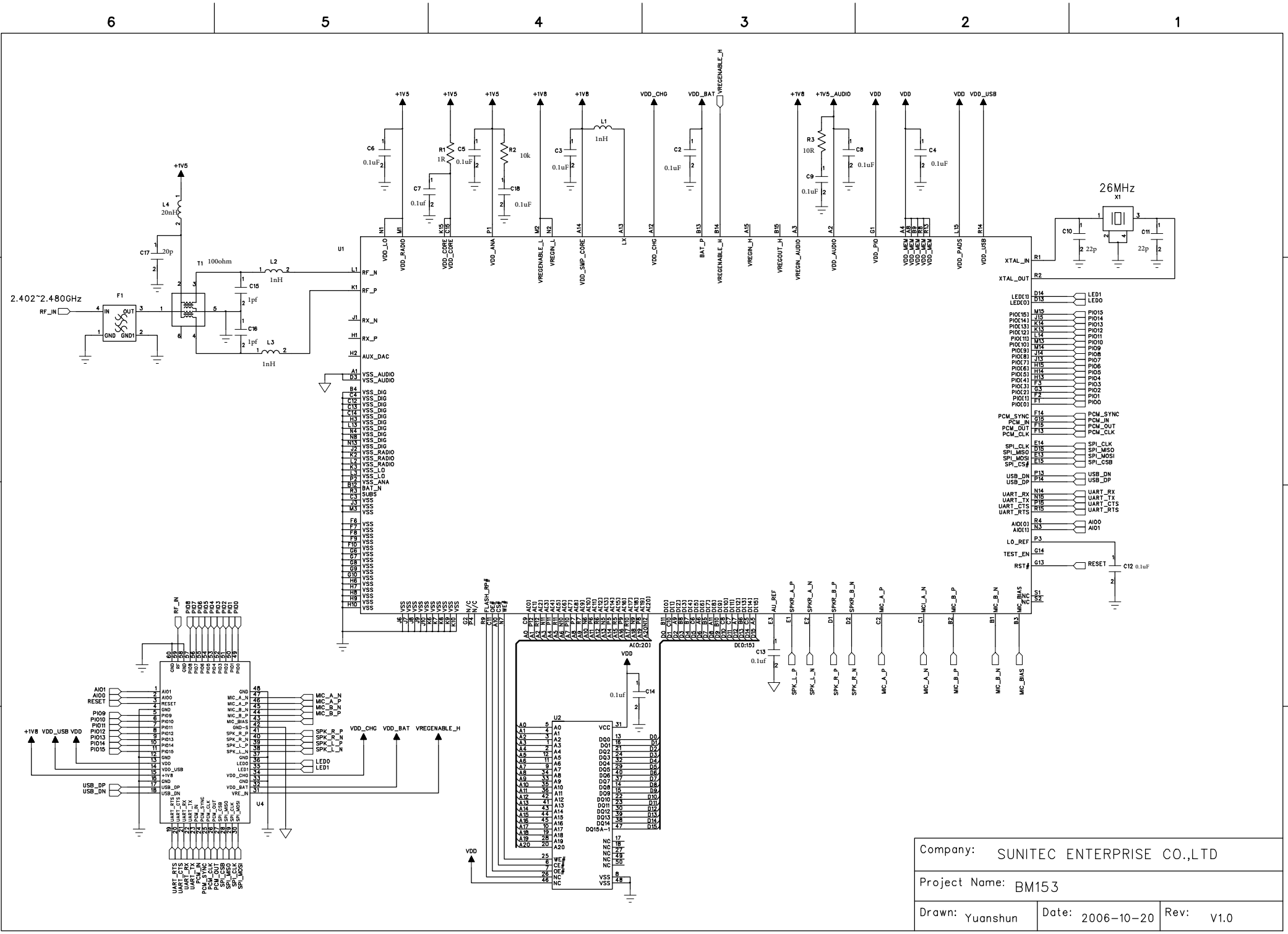
GGEC		TITLE: Clutch_SCH_Keys
DRAW BY: Wayne Wu		PROJECT: Clutch
CHECKED BY:	DRAW NO:	REV: v0.1
RELEASE DATE: 12-10-21	SIZE: A4	SHEET: 8of8

1

2

3

4



Company: SUNITEC ENTERPRISE CO.,LTD		
Project Name: BM153		
Drawn: Yuanshun	Date: 2006-10-20	Rev: V1.0