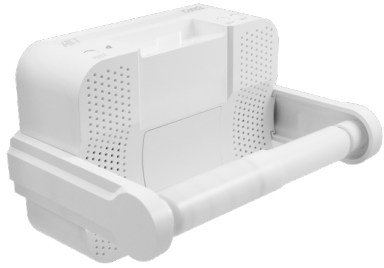


iCarta2

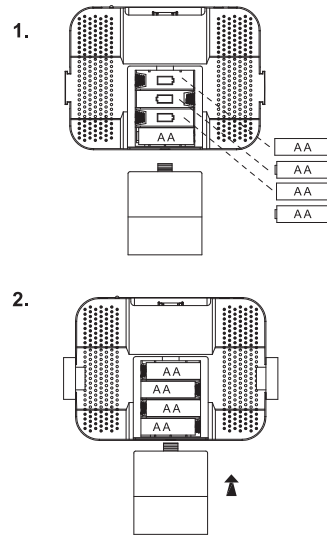
Wireless Speaker System
Quick Start Guide



Technical Support :
Toll free number (USA only) 1-800-964-3088
support@atechflash.com www.atechflash.com

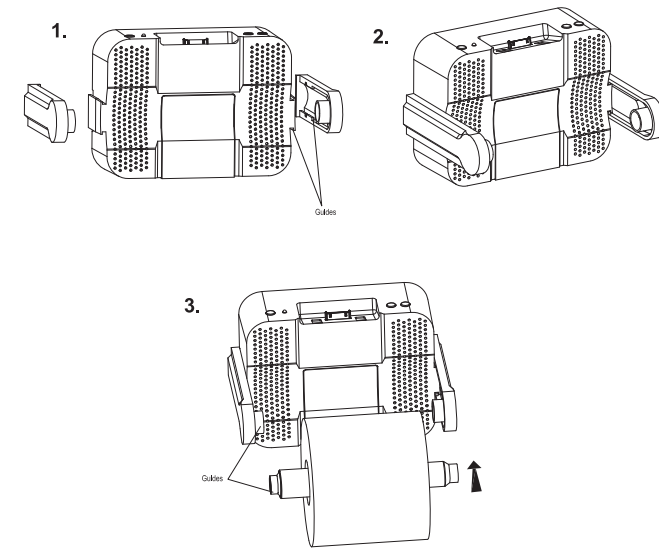
Power Setup

Installing Batteries (4 x AA Batteries not included)
20 Hours of Playtime - Varies with Volume Level



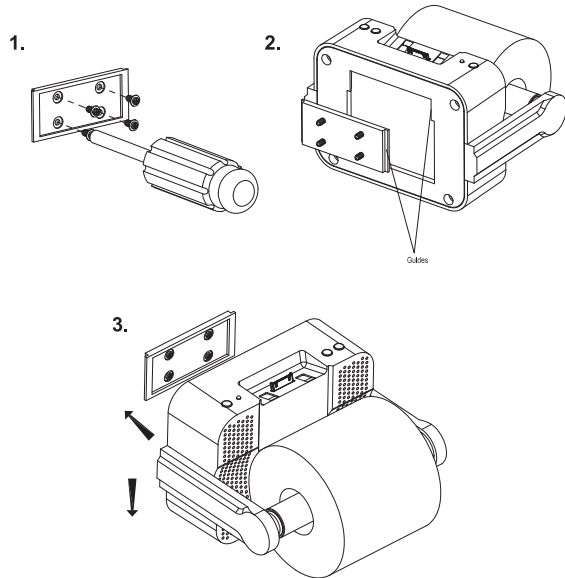
Bath Tissue Holder Setup

Installing Bath Tissue Arm and Bar



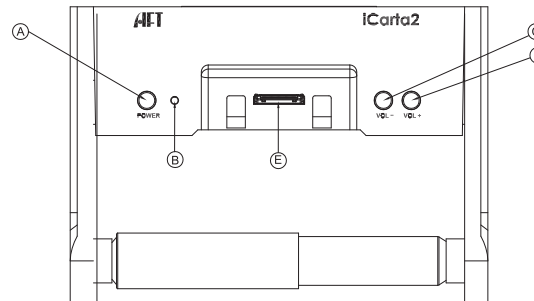
Wall Mount Setup

Installing Wall Mounting Kit



iCarta2 Diagram

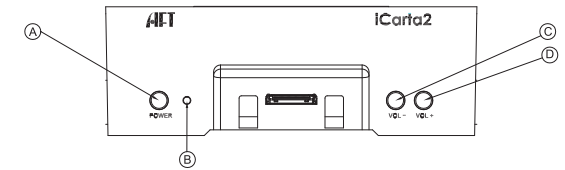
Functions of iCarta2



- | | |
|----------|--------------------------------|
| A. POWER | Turn On/Off, Bluetooth Pairing |
| B. LED | Power Status |
| C. VOL - | Decrease Volume |
| D. VOL + | Increase Volume |
| E. DOCK | Holder for 30-pin devices |

Bluetooth Pairing

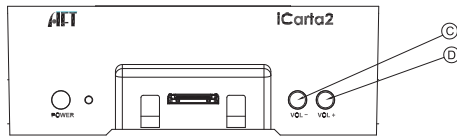
How to Pair your Device with iCarta2
Bluetooth Range 10 meters / 32 feet



1. Turn on Bluetooth function of mobile device.
2. Press & hold Power (A) for more than 5 seconds. The unit will say "Pairing".
3. Select the speaker shown on your mobile device.
4. Input passkey "0000" or "1234" if required. (Default passkey for the majority of Bluetooth devices.)
5. Once pairing is complete the LED (B) status indicator will quickly flash.
6. Select and Play audio selection from your mobile device.
7. Press VOL- (C) or VOL+ (D) to adjust speaker volume.

Volume Controls

How to Adjust your Audio Levels

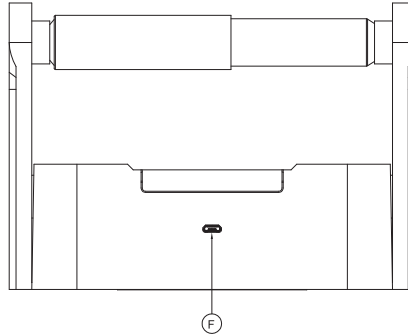


1. Once pairing is complete, Select and Play audio selection from your Mobile device.
2. Press VOL- (C) or VOL + (D) to adjust speaker volume.
3. You can also adjust the Output Volume levels from your Mobile device.

Optional Power Setup

Using micro-USB Cable for Power Source (not included)

****Minimum Power 5V-1A up to Maximum 5V-3A****



1. Connect the micro-USB Cable to the micro-USB plug (F) located on the bottom of the iCarta2.
2. Then plug the USB AC-Adapter into the wall power outlet.
****Minimum Power 5V-1A up to Maximum 5V-3A****
3. Now you will have continuous power without the use of batteries.

Warning: Do not exceed Power current of 5 Volts / 3 Amp, doing so will cause damage to speaker unit.

Important Safety Instructions

Consumer's Guide to Product Safety

When used in the directed manner, this unit has been designed and manufactured to ensure your personal safety. However, improper use can result in potential electrical shock or fire hazards. Please read all safety and operating instructions carefully before installation and use, and keep these instructions handy for future reference. Take special note of all warnings listed in these instructions and on the unit.

1. Water and Moisture – The unit should not be used near water. For example: near a bathtub, washbowl, kitchen sink, laundry tub, swimming pool or in a wet basement.
2. Ventilation – The unit should be situated so that its location or position does not interfere with its proper ventilation. For example, it should not be situated on a bed, sofa, rug or similar surface that may block ventilation openings. Also, it should not be placed in a built-in installation, such as a bookcase or cabinet, that may impede the flow of air through the ventilation openings.
3. Heat – The unit should be situated away from heat sources such as radiators, heat registers, stoves or other appliances (including amplifiers) that produce heat.
4. Power Sources – The unit should be connected to a power supply only of the type described in the operating instructions or as marked on the appliance.
5. Power Cord Protection – Power supply cords should be routed so that they are not likely to be walked on or pinched by items placed upon or against them. It is always best to have a clear area from where the cord exits the unit to where it is plugged into an AC outlet.
6. Objects and Liquid Entry – Care should be taken so that objects do not fall and liquids are not spilled into any openings or vents located on the product.
7. Attachments – Do not use attachments not recommended by the product manufacturer.

Important Safety Instructions

Consumer's Guide to Product Safety

8. Lightning and Power Surge Protection – Unplug the unit from the wall outlet and disconnect the antenna or cable system during a lightning storm or when it is left unattended and unused for long periods of time. This will prevent damage to the product due to lightning and power-line surges.
9. Overloading – Do not overload wall outlets, extension cords, or integral convenience receptacles as this can result in a risk of fire or electric shock.
10. Damage Requiring Service – The unit should be serviced by qualified service personnel when:
 - A) the power supply cord or plug has been damaged.
 - B) objects have fallen into or liquid has been spilled into the enclosure.
 - C) the unit has been exposed to rain.
 - D) the unit has been dropped or the enclosure damaged.
 - E) the unit exhibits a marked change in performance or does not operate normally.
11. Periods of Nonuse – If the unit is to be left unused for an extended period of time, such as a month or longer, the power cord should be unplugged from the unit to prevent damage or corrosion.
12. Servicing – The user should not attempt to service the unit beyond those methods described in the user's operating instructions. Service methods not covered in the operating instructions should be referred to qualified service personnel.

Important Safety Instructions

Consumer's Guide to Product Safety

FCC INFORMATION

This device complies with part 15 of the FCC Rules. Operation is subject to the condition that this device does not cause harmful interference.

This equipment complies with the limits for a Class B digital device as specified in Part 15 of FCC Rules. These limits provide reasonable protection against radio and TV interference in a residential area.

However, your equipment might cause TV or radio interference even when it is operating properly. To eliminate interference, try one or more of the following corrective measures:

- Reorient or relocate the receiving antenna.
- Increase the distance between the equipment and the radio or TV.
- Use outlets on different electrical circuits for the equipment and the radio or TV.

Consult your dealer or an experienced radio/television technician if the problem still exists.

Modifying or tampering with your system's internal components can cause a malfunction and might invalidate the system's warranty and void your FCC authorization to operate it.

Limited Warranty

Atech Flash Technology, Inc. ("AFT"), warrants to the original end user ("Customer") that under normal intended use AFT products will be free from defects in materials and workmanship for 90 days from the date of purchase. During warranty period, AFT shall either repair, or replace defective product. AFT shall not be liable for any losses or damages of any kind resulting from the use of AFT products or for any of Customer's data stored on products returned to AFT for service. AFT accepts no liability for and provides no expressed or implied warranty against any loss of data or files.

You may register your product at <http://www.atechflash.com>. Customer must have proof of purchase and obtain warranty service authorization from AFT within the applicable warranty period before returning defective products to AFT. Returned products must be shipped prepaid and packaged appropriately, and it is recommended that they be insured or sent by a method that provides for tracking of the package.

Limitations: This limited warranty is in lieu of all other warranties, terms or conditions; including warranties, terms, or conditions of merchantability, fitness for a particular purpose, satisfactory quality, suppliers, and in no event will AFT be liable for any special, incidental, consequential, or indirect damages resulting from the possession, use or failure of this product. Product names mentioned herein are for identification purposes only and may be trademarked and/or registered trademarks of their respective companies.

Specifications are subject to change without further notice.
All trademarks, trade names and copyrights are properties of their respective owners.

For any questions?

Visit: www.atechflash.com
Email: support@atechflash.com
Toll-free number for USA only
1-800-964-3088

For any questions?

Visit: www.atechflash.com
Email: support@atechflash.com
Toll-free number for USA only
1-800-964-3088