

Hands-free Car Kit

Parrot 3200 LS-COLOR PLUS
User manual



For Bluetooth
Mobile Phone

ENG FRA ESP ITA DUT DEU POR

 **Bluetooth**[®]



Warning

The manufacturer Parrot S.A. and its affiliates should not be held liable towards end users or third parties to prejudice caused by misuse of the product, nor for usage that would be in violation of local traffic regulations and laws.

Disclaimer

The information in this document is subject to change without notice and does not represent a commitment on the part of vendor. No warranty or representation, either expressed or implied, is made with respect of quality, accuracy or fitness for any particular purpose of this document. The associated with it at any time without obligation to notify any person or organisation of such changes. In no event will the manufacturer be liable for direct, indirect, special, incidental or consequential damages arising out of the use or inability to use this product or documentation, even if advised of the possibility of such damages. This document contains material protected by copyright. All rights are reserved. No part of this manual may be reproduced or transmitted in any form, by any means or for any purpose without express written consent. Product names appearing in this document are mentioned for identification purposes only. All trademarks, product names appearing in this document are registered property of their respective owners.

FCC Compliance Statement



This device complies with part 15 of the FCC rules. Operation is subject to the following two conditions.

1. This device may not cause harmful interference, and
2. This device must accept any interference received, including interference that may cause undesired operation.

Note: The manufacturer is not responsible for any radio or tv interference caused by unauthorized modifications to this equipment. Such modifications could void the user's authority to operate the equipment.

Declaration of Conformity

e2

We, Parrot S.A. of 174 quai de Jemmapes, 75010 Paris, France, declare under our sole responsibility that our product, the Parrot 3200 LS-COLOR PLUS, to which this declaration relates is in conformity with appropriate standards EN300328, EN301489-17, EN 60950 following the provision of Radio Equipment and Telecommunication Equipment directive 1995/EC with requirements covering EMC directive 89/336/EEC and Low Voltage directive 73/23/EEC.

Bluetooth®

The Bluetooth® word mark and logos are owned by the Bluetooth® SIG, Inc. and any use of such marks by Parrot S.A. is under license. Other trademarks and trade names are those of their respective owners.

Correct Disposal of This Product (Waste Electrical & Electronic Equipment)



(Applicable in the European Union and other European countries with separate collection systems). This marking shown on the product or its literature, indicates that it should not be disposed with other household wastes at the end of its working life. To prevent possible harm to the environment or human health from uncontrolled waste disposal, please separate this from other types of wastes and recycle it responsibly to promote the sustainable reuse of material resources. Household users should contact either the retailer where they purchased this product, or their local government office, for details of where and how they can take this item for environmentally safe recycling. Business users should contract their supplier and the terms and conditions of the purchase contract. This product should not be mixed with other commercial wastes for disposal.

Parrot 3200 LS-COLOR PLUS

Directions for use - User guide



INTRODUCTION

The Bluetooth® technology enables voice and data communications via a short-distance radio link. It allows several electronic devices to communicate with each other, particularly telephones and hands-free kits.

Parrot is drawing on its long years of experience in signal processing and voice recognition technology to introduce a hands-free kit offering superior audio quality during calls. The Parrot 3200 LS-COLOR PLUS benefits from the [Beamforming] technology through a double microphone built into the screen of the hands-free kit. This technology allows for greater call quality by means of improved noise reduction.

Thank you for buying a Parrot hands-free kit. With the Parrot 3200 LS-COLOR PLUS, you will be able to make telephone calls from your car while keeping your hands on the wheel.

With its colour interface and customisable wallpaper, the Parrot 3200 LS-COLOR PLUS is the most user-friendly hands-free kit. It acts as a real extension of your mobile phone. Furthermore, you can take the Parrot 3200 LS-COLOR PLUS screen with you when you leave your vehicle.

KIT CONTENTS

- Colour LCD screen
- Installation cable
- Electronic control unit
- Directions for use
- Fitting accessories
- Microphone

FITTING

First of all, choose the place for the colour screen inside your vehicle. We would advise you to fit it in the centre of the dashboard or near you.

Make sure that you can view the screen at a good angle and that it does not obstruct your view of the road. Once the hands-free kit is fully installed and switched on, you can adjust the screen's brightness.

The installation cable is fitted with [ISO] connectors, as well as two line-out jacks for connecting to the car stereo's line-in jacks if applicable.

Car stereo with line-in jacks:

Use this type of connection by wiring the brown and white wires (or red and black) to the car stereo's line-in jack and the yellow wire to the car stereo's mute jack.

Car stereo with ISO connectors:

Disconnect the [ISO] connectors from your car stereo. Join the male [ISO] connectors of the kit's cable to the car stereo. Join the vehicle's [ISO] connectors to the female [ISO] connectors of the kit's cable.

If the car stereo features a mute in jack, connect the yellow wire of the kit's cable to the corresponding "mute in" jack (Mute in 1, 2 or 3).

Car stereo without ISO connectors:

An adapter cable is required to convert the specific connections into an [ISO] connector. As a result, installation will be the same as with an [ISO] connector. Parrot offers a range of [ISO] adapter cables. Visit our website at www.parrot.com.

Fitting the kit's cable:

Check the wiring diagram for the car stereo's [ISO] cable.

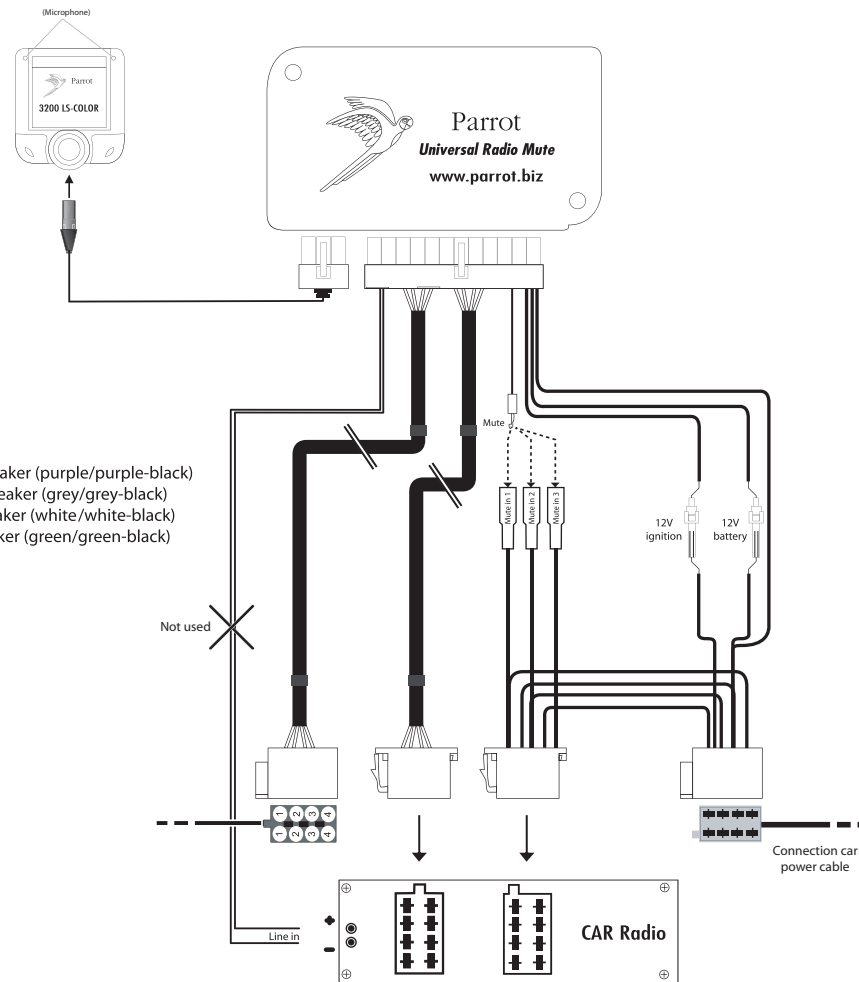
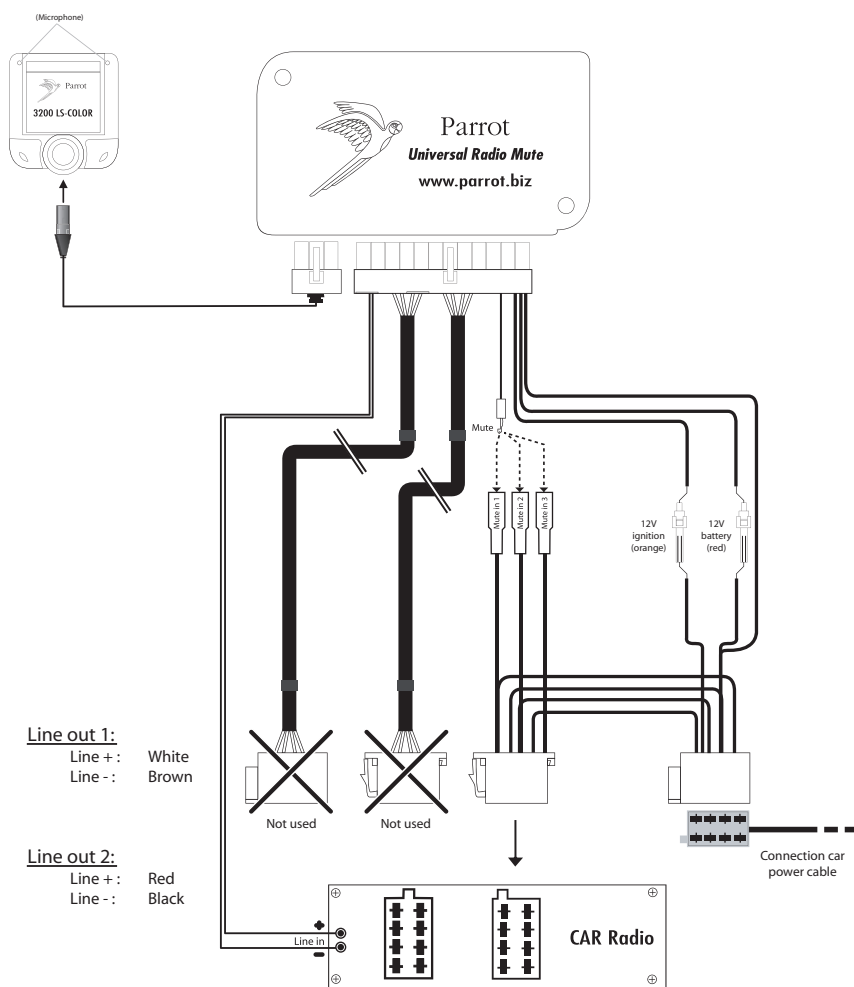
The red wire of the kit's cable must be connected to the constant 12V supply, the orange wire to the ignition 12V and the black wire to earth. On some vehicles, the red and orange wires may need to be reversed. This can easily be done by reversing the two fuse holders.

On other vehicles, the ignition 12V may be missing from the car stereo's connectors, meaning that you must connect the orange wire directly

to an available ignition 12V source in the vehicle.
 Do not connect the orange wire to the constant 12V supply, as you could run down the vehicle's battery.

Checking the installation:

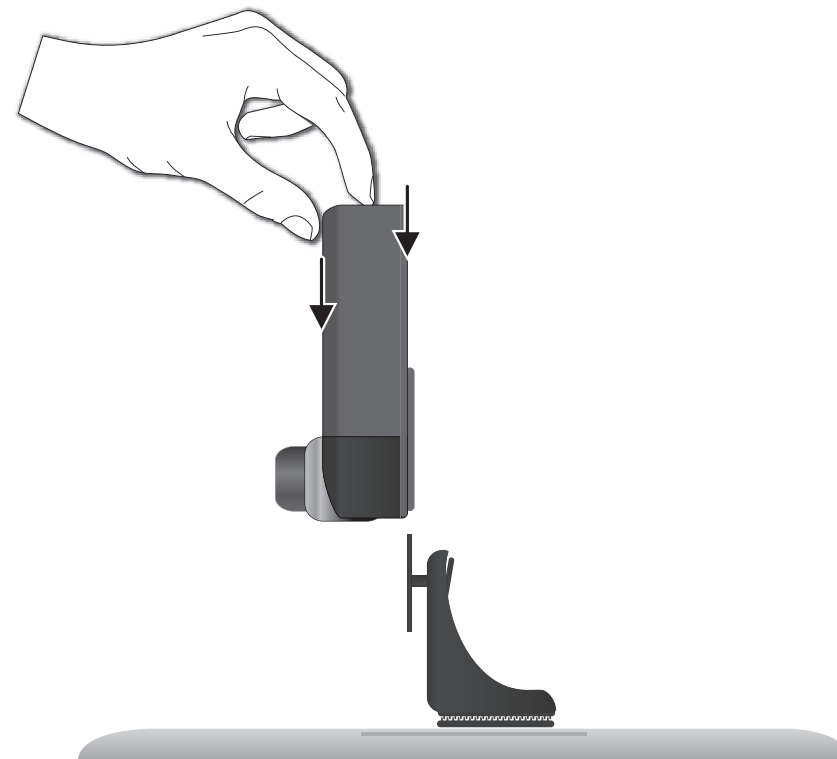
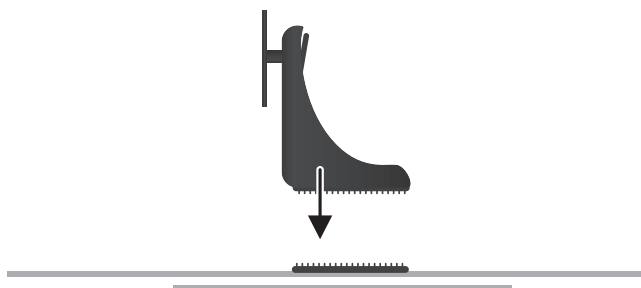
If your [3200 +] is correctly fitted, you should see the message "Goodbye" on the screen when you switch off your car's ignition.



Installation de l'écran du Parrot 3200 LS-COLOR PLUS

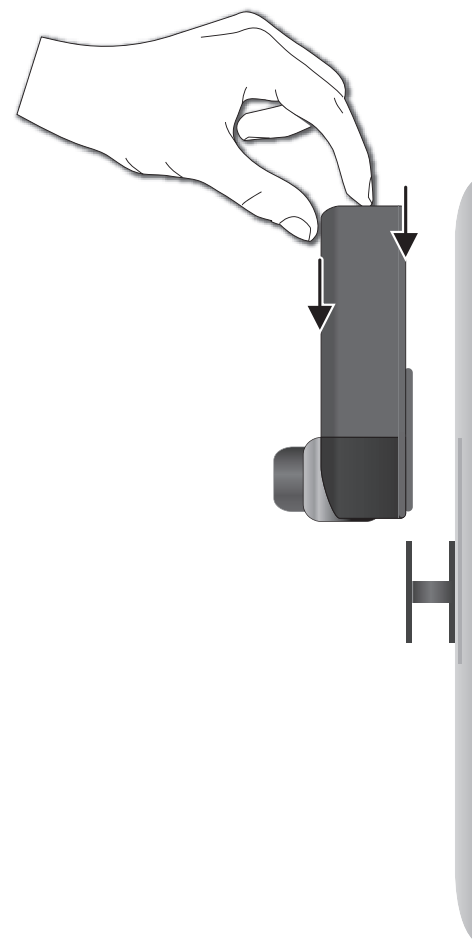
Afin de bénéficier de communication de qualité optimale, ne collez pas l'écran directement sur le tableau de bord. Utilisez pour cela l'un des deux supports fournis. Le premier support vous permet de placer l'écran contre le tableau de bord.

- Collez un adhésif double face sur une des faces planes du support et un autre adhésif double face sur le tableau de bord.
- Placez le support sur le tableau de bord.
- Insérez ensuite l'écran sur le support.



Le deuxième support vous permet de placer l'écran du Parrot 3200 LS-COLOR PLUS en hauteur.

- Collez une bande scratch sur le support et une autre sur le tableau de bord.
- Placez le support sur le tableau de bord.
- Insérez ensuite l'écran sur le support.



IMPORTANT :

Pensez à enlever votre écran lorsque vous quittez votre véhicule afin d'éviter les risques de vol et d'exposition prolongée au soleil.

PAIRING WITH YOUR MOBILE PHONE: Using for the first time

The first time that you switch on the Parrot 3200 LS-COLOR PLUS, you must pair your mobile phone with the kit.

- . Enable the Bluetooth mode on your phone.
- . On the hands-free kit, scroll through the menus until you come to Settings Pair with phone..., and select the relevant option for your phone. A 4-digit PIN code then appears on screen. Memorise it.
- . Search for any peripherals: for further information on this procedure, refer to the Bluetooth chapter in your mobile phone's user guide or check out our website at : www.parrot.com
- . Once the search has finished, "Parrot 3200LS" is displayed on your phone.
- . Select the kit. Your phone prompts you to enter a code: key in the code shown on the kit screen and confirm on your phone.



- . The kit's screen displays "Pairing".
- . Once the data has been exchanged, "pairing successful" appears on the Parrot 3200 LS-COLOR PLUS.
- . The Parrot 3200 LS-COLOR PLUS then connects to your phone.

When pairing the first phone with your Parrot 3200 LS-COLOR PLUS, you will automatically be prompted to adjust the direction of the double microphone. Doing so will enable the kit to provide your callers with greater call quality. The following directions are available:

- Left: the driver is on the left of the hands-free kit.
- Centre: the driver is facing the hands-free kit.
- Right: the driver is on the right of the hands-free kit.
- No special direction: allows callers to hear both the driver and the passenger. Noise reduction is then less effective.

Subsequently, you can change this setting by going to the "Settings / ..." menu.

Once the connection has been made, the Bluetooth logo is displayed on the screen (except for certain phones using the Headset profile). Some phones offer additional features, such as displaying your phone's name on the kit's screen, as well as the battery and signal levels and the operator's name. Please refer to the Support heading on our website at www.parrot.com for details on your phone's features.

When your phone is connected to your hands-free kit, the menus of the Parrot 3200 LS-COLOR PLUS are available and their name is announced by the hands-free kit when you turn the scroll wheel. You can now access the menus and their name is announced by the hands-free kit when you turn the scroll wheel. Press the green button (or the scroll wheel) to access the menus, and press the red button to exit them.

You can now use your hands-free kit to make and receive calls.

- **Receiving a call:** press the green button to answer the call.
- **Ending a call:** press the red button.
- **Redial function:** hold down the green key on the kit for two seconds to redial the last number dialled.
- **Adjusting the volume:** turn the scroll wheel during a call to adjust the volume.

FEATURES

The kit's screen displays your mobile phone's main information, in particular your phonebook.

- ◆ Automatic downloading of your phonebook.
- ◆ Display of the caller's name and image.
- ◆ Contacts phoned using the kit's voice recognition feature.
- ◆ Car stereo muting during calls.
- ◆ Call records.
- ◆ Volume adjustment during calls.
- ◆ Dual call management.
- ◆ Automatic redial of the last caller.
- ◆ Wallpaper change.
- ◆ Brightness settings.
- ◆ Ringtone selection.
- ◆ Language setting.
- ◆ DTMF: when you receive a call from your message system, press the scroll wheel so that you can access the digits allowing you to manage your message.

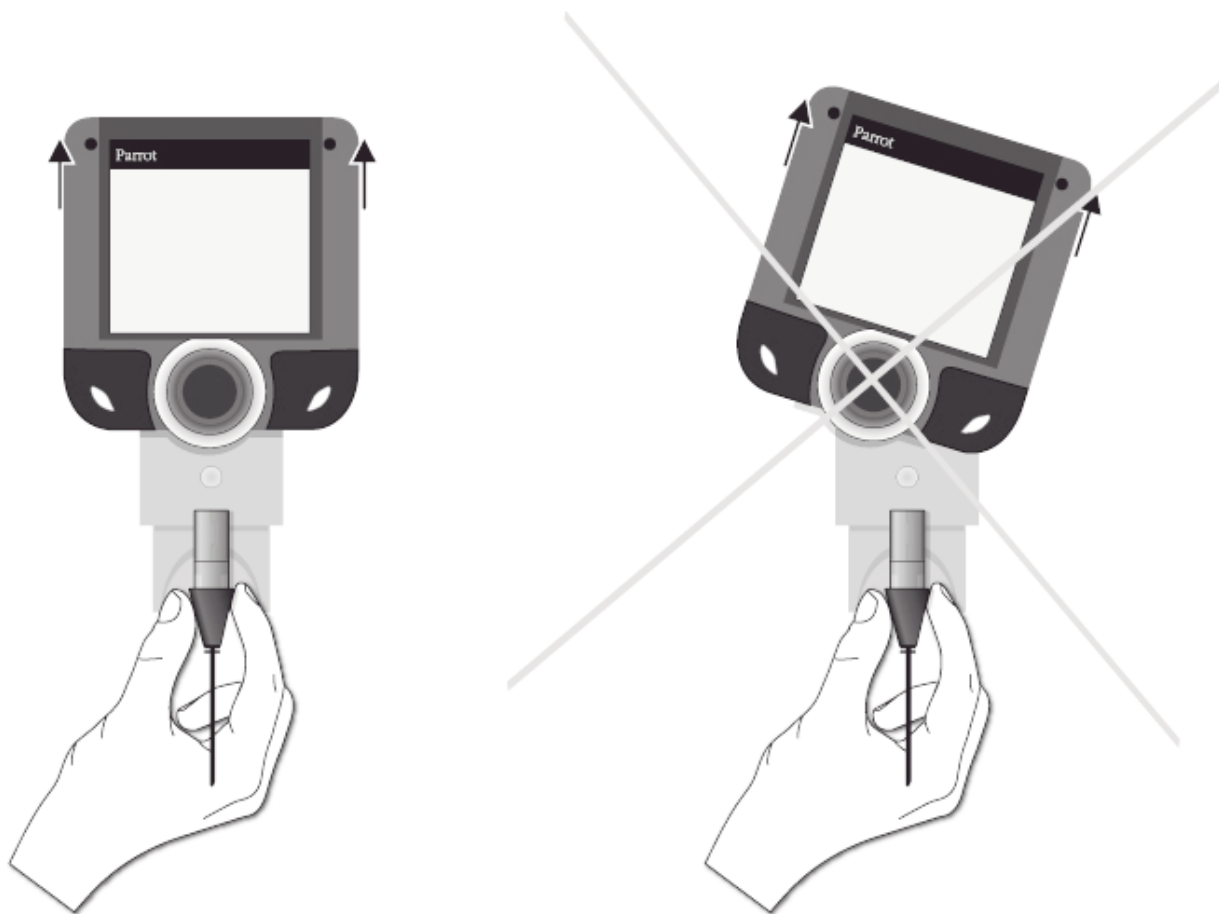


Note: the use of certain features (voice recognition, redial, discreet mode) depends exclusively on your phone. Refer to the Support heading on our website at www.parrot.com for further information.

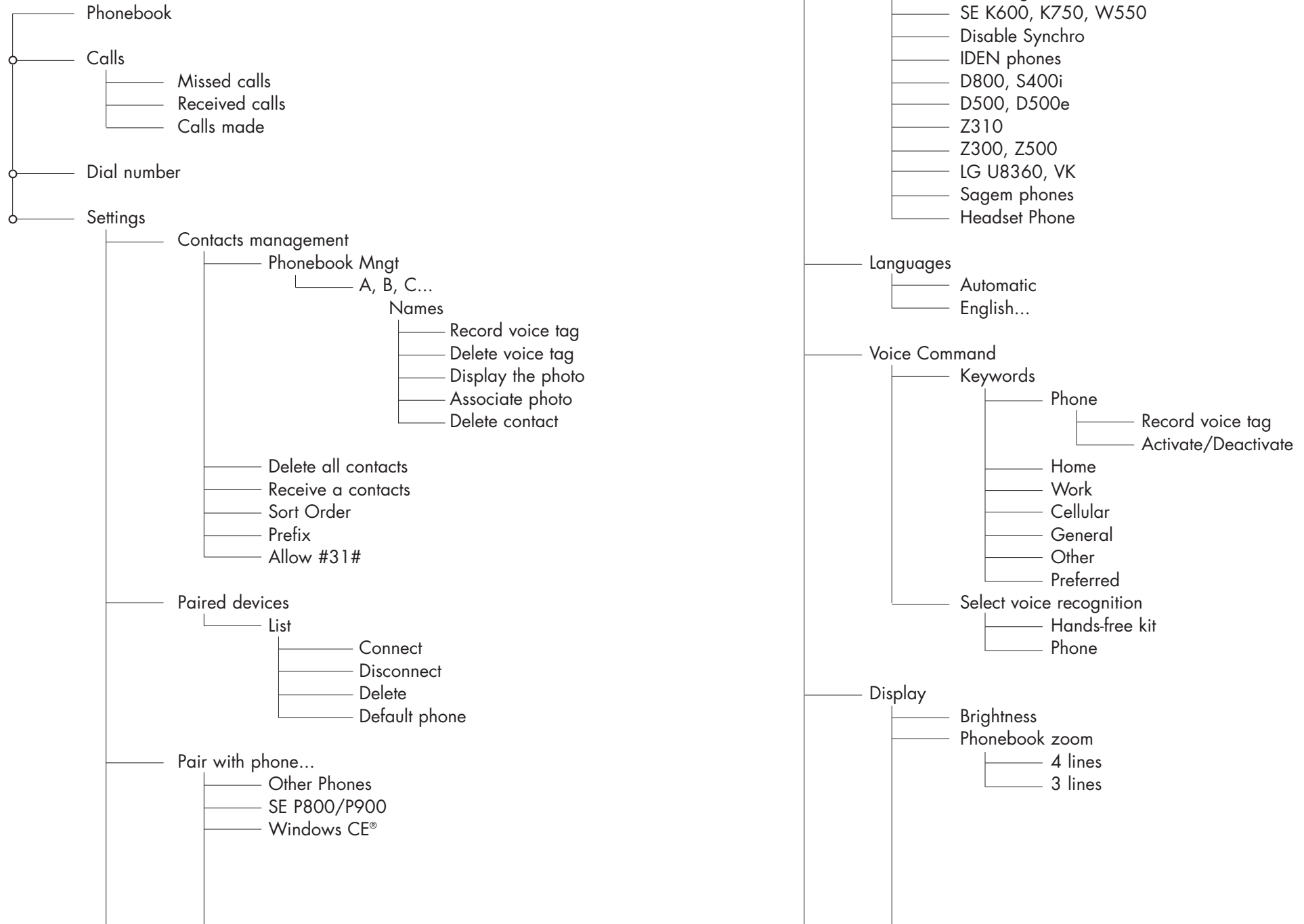
retrait de l'écran:

The Parrot 3200 LS-COLOR PLUS is equipped with a USB connector. You can remove your hands-free kit's screen when leaving the vehicle.

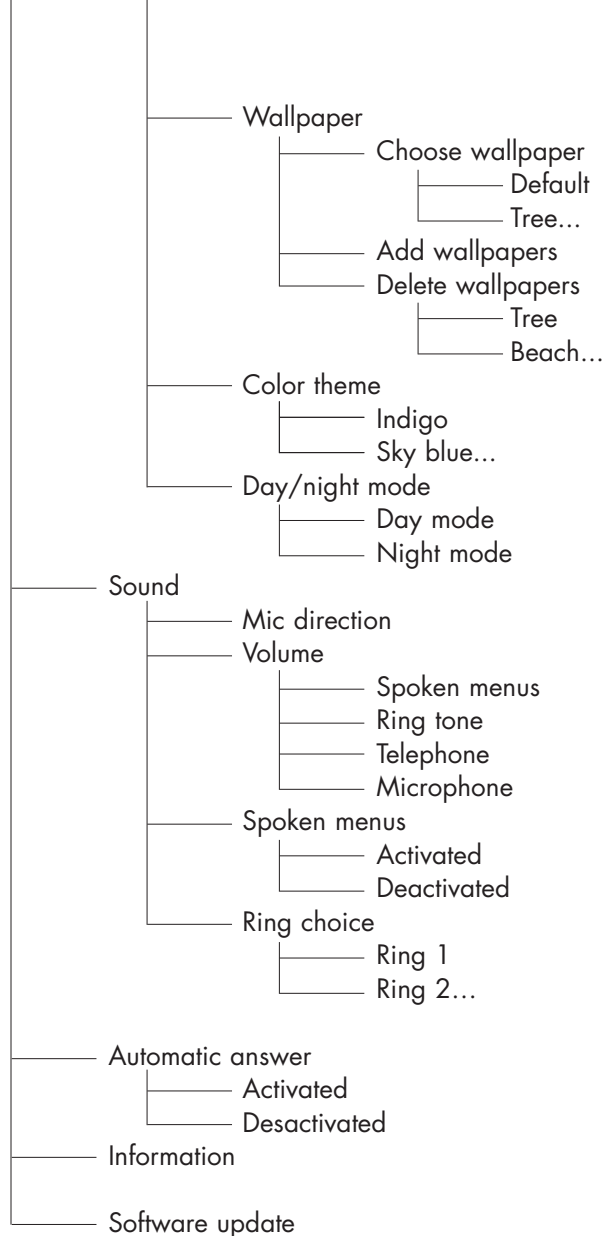
It is important to switch off your vehicle's ignition and then wait until the Parrot 3200 LS-COLOR PLUS displays "Goodbye" before unplugging the screen from your hands-free kit. To remove the screen, you are advised to hold the cable of the Parrot 3200 LS-COLOR PLUS and then slide the screen vertically from its holder.



MENUS



- Samsung E-720/E-530
- SE K600, K750, W550
- Disable Synchro
- IDEN phones
- D800, S400i
- D500, D500e
- Z310
- Z300, Z500
- LG U8360, VK
- Sagem phones
- Headset Phone



ACCESSING THE MENUS

Phonebook

After pairing your phone with the Parrot 3200 LS-COLOR PLUS, synchronisation with your phonebook will begin automatically (*). Once the synchronisation process is complete, you can access your phonebook from the hands-free kit screen. To access your phonebook and call a contact, turn the scroll wheel to access the menus, then select Phonebook. Scroll through the letters until you reach the first letter of the relevant person's name and confirm. You will then see this person's name and the various phone numbers you have for them.

If your phone does not support the automatic phonebook synchronisation feature, you can send your contacts manually from the phone to the hands-free kit. To benefit from the most up-to-date procedures, please refer to our website at www.parrot.com.

Note: the "Automatic phonebook synchronisation" and "Send contacts manually" features depend exclusively on your phone. Refer to the Support heading on our website at www.parrot.com for further information

Call records

This menu option displays the list of calls and is divided into three sub-menus: Missed calls / Calls received / Calls made.

It is automatically synchronised with your phone's call records (*) and you can access them to call back a missed call.

- Select the contact from these menus.
- Press the scroll wheel or the green button to call the contact back.

Note: the use of this feature depends exclusively on your phone. Refer to the Support heading on our website at www.parrot.com for further information.

Dial

Select this menu to dial a number directly via the kit.

- Turn and press the scroll wheel to select a digit.
- The trashcan icon deletes the last digit.
- Once the number has been dialled, press the green button to call.

PREFERENCES

This menu allows you to adjust the necessary settings to get the most out of your hands-free kit.

Contact management

This menu enables you to manage contacts in the Parrot 3200 LS-COLOR PLUS. Once you have selected the contact from the list (which you access via the Contact management menu) you can record or delete a voiceprint, view or delete the photo, or delete the contact from the phonebook.

You can also receive a contact with the relevant photo (if supported by the phone) by selecting Receive a contact. Select on your phone the contact you want to send via Bluetooth to the hands-free kit. From then on, whenever this person calls you, his or her photo and name will appear on the kit screen.

Note: the use of certain features depends exclusively on your phone. Refer to the Support heading on our website at www.parrot.com for further information. You will also find the most up-to-date usage procedures for your phone.

You can also delete all the contacts in the kit or reverse the sort order from surname-first name to first name-surname



VOICE RECOGNITION

Select voice recognition

The Parrot 3200 LS-COLOR PLUS lets you use your phone's voice recognition feature if available. The Parrot 3200 LS-COLOR PLUS also lets you use its own voice recognition feature. Your phone must be capable of sending contacts to the hands-free kit to be able to use this feature.

- **Car kit reco:** the selected voiceprints are those recorded in the memory of the hands-free kit.
- **Phone reco:** the selected voiceprints are those recorded in the memory of the phone.

Keywords

Keywords enable you to select the different types of phone number associated with your contact: work, home, mobile, and so on.

Recording keywords enables you to phone without taking your hands off the wheel. You can control the whole call with your voice.

All keywords must be recorded, so that they can be validated.

- To record the keywords, simply select the keyword that you wish to record.
- You are advised to record the keywords in a quiet setting, turn off your engine, close the windows and make sure that you are in the driver's seat. Do not get close to the microphone of the Parrot Parrot 3200 LS-COLOR PLUS
- PLUS and remain in your normal driving position.
- The hands-free kit will prompt you to say the keyword. If the keyword is properly recorded, you will be asked to repeat the keyword.
- After recording a keyword, the Parrot 3200 LS-COLOR PLUS will automatically get ready to record the next keyword.

Paired devices

The Parrot 3200 LS-COLOR PLUS lets you pair up to five Bluetooth phones, but bearing in mind that only one can be connected at any one time.

The Paired devices menu allows you to connect, disconnect or delete a phone from the kit's memory. From the Define default phone menu option, you can control the priority level given to the Bluetooth phone during connections with several phones in the car.

Caution:

Deleting a paired phone will clear any voiceprints attributed to the contacts on that phone.

Pair phone

Before pairing your Bluetooth phone, you must enable the mode corresponding to your Bluetooth phone.

Once the relevant mode has been selected, a (random) 4-digit code appears. Start searching for Bluetooth peripherals from your phone. Once you have found the hands-free kit, select it and enter this code.

Note: for greater compatibility with phones, new pairing modes are likely to be added to future versions.

Language

Select the language for displaying the menus on your Parrot 3200 LS-COLOR PLUS.

Display

Five options are available for customising the way in which information is displayed:

- **Brightness :** use the scroll wheel to obtain the required level and confirm by clicking the scroll wheel.
- **Phonebook zoom:** used to display the Phonebook menu over 3 or 4 lines.
- **Phonebook zoom:** used to display the Phonebook menu over 3 or 4 lines.

- **Wallpaper:** allows you to select a wallpaper image.
- **Theme:** Correspond à la sélection d'un thème de couleur.

Sounds

- **Volume:** use the scroll wheel to control the volume level of the call and the microphones' sensitivity.
- **Speaking menus:** adjust the volume of the hands-free kit's prompts to the required level.
- **Ringtone selection:** for phones that do not play a specific ringtone for incoming calls, select the ringtone that you wish to hear when you receive a call.
- **Microphone direction:** this menu lets you choose a specific direction for the double microphone and thereby ensure the very highest call quality for all your callers. The following directions are available:
 - Left: the driver is on the left of the hands-free kit.
 - Centre: the driver is facing the hands-free kit.
 - Right: the driver is on the right of the hands-free kit.
 - No special direction: allows callers to hear both the driver and the passenger. Noise reduction is then less effective.

Automatic answer

Enable this mode if you want the Parrot 3200 LS-COLOR PLUS to automatically answer any incoming calls.

Information

This menu provides information on the version of the built-in software.

UPDATE

You can update the software version of your Parrot 3200 LS-COLOR PLUS by Bluetooth. Enable this mode before updating. The update is performed by Bluetooth from a computer equipped with Bluetooth.

Updating provides access to new features and improves compatibility with the advanced functions on an even wider range of phones. For further information, visit our website: www.parrot.com.

HOTLINE

Our hotline is at your disposal. You can contact the hotline by email or telephone. Open from Monday to Friday between 9 am and 6 pm (GMT+1).

Check out our website (www.parrot.com) for further information.

Europe : + 33 (0) 1 48 03 60 69

Italie : +39 2 86 39 14 63

Espagne : +34 91 725 62 62

UK : + 44 (0) 870 112 5872

Allemagne : +49 900 172 77 68

USA : +1 (877) 9 PARROT (toll-free)

Chine : + 862 164 601 944



NOTES



Parrot S.A. - 174, quai de Jemmapes - 75010 Paris - France
Fax +33 1 48 03 06 66 / Phone +33 1 48 03 60 60
www.parrot.com

