

TO: 凱碩科技股份有限公司

## SPECIFICATION FOR APPROVAL

DESCRIPTION : ANTENNA (2.4G)(BLACK)+1.13(230mm)+CORE+UFL CONNECTOR

PART NO :



慶陞 PART NO :

6602113051-230

DATE :

2007/07/10

PLEASE RETURN TO US ONE COPY OF " SPECIFICATION FOR APPROVAL  
" WITH YOUR APPROVED SIGNATURES

APPROVED SIGNATURES			
			 

# 蘇州慶旺電子



## 慶陞工業股份有限公司

## KINSUN INDUSTRIES INC.

桃園縣中壢市普忠路 211 巷 20 號

TEL : 886-3-4353551

FAX : 886-3-4353951

[Http://www.kinsun.com](http://www.kinsun.com)

e-mail: [jason@kinsun.com](mailto:jason@kinsun.com)

## **TECHNICAL DATA**

### **Electrical Properties**

---

---

**Frequency Range: 2.4~2.5GHz**

**Impedance: 50 Ohm nominal**

**V.S.W.R :  $\leq 2.0$**

**Gain: 2dBi $\pm$ 0.25**

**Radiation: Omni**

**Polarization: Vertical**

**Electrical Wave: Dipole Array**

**Connector: UFL Plug**

### **Mechanical Properties**

---

---

**Antenna Cover: PU**

**Color : BLACK**

**Operation Temperature:-20 $^{\circ}$ C~+60 $^{\circ}$ C**

**Storage Temperature:-30 $^{\circ}$ C~+75 $^{\circ}$ C**

RoHS COMPLIANT

MECHANICAL

Antenna Cover : PU

Antenna Base : PC UL 94V-0

Color : Black

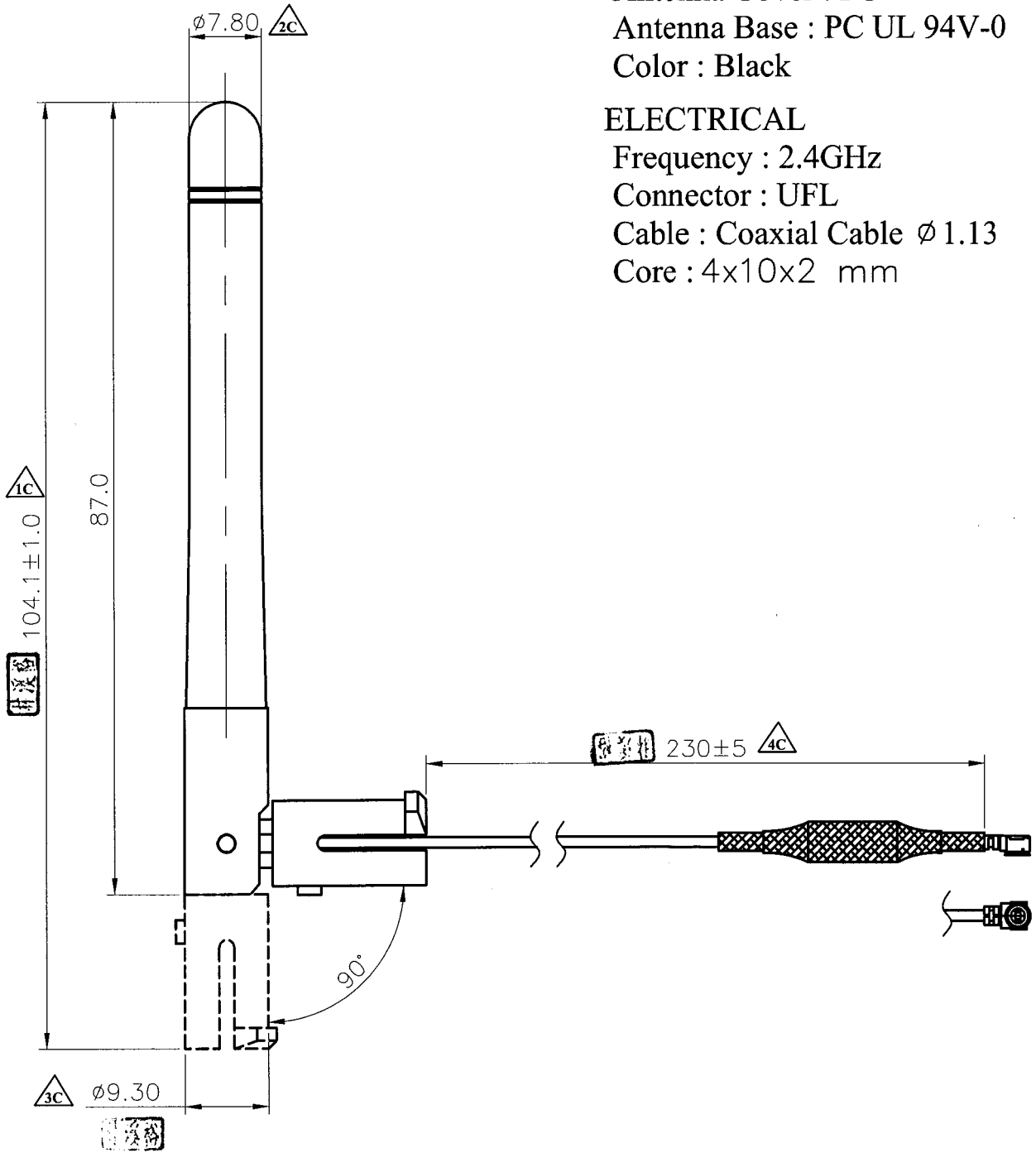
ELECTRICAL

Frequency : 2.4GHz

Connector : UFL

Cable : Coaxial Cable  $\phi$  1.13

Core : 4x10x2 mm



※凡標註△記號者，為品管檢驗之尺寸

設計DR. Marco 2007/07/10	核准APPD. Jerry 2007/07/10	容許公差 .XXX ±0.10 .XX ±0.25 .X ±0.38 X ±0.50 ANG ±3'	TOLERANCE	品名 ARTICLE 6602-2.4G-UFL
版本說明 REVISION NOTE				圖號 DWG NO. 6602113051-230
KINSUN 慶陞				單位 UNIT mm
				比例 SCALE 1.5/1
				張數 SHEET 1/1
				版本 REV. A

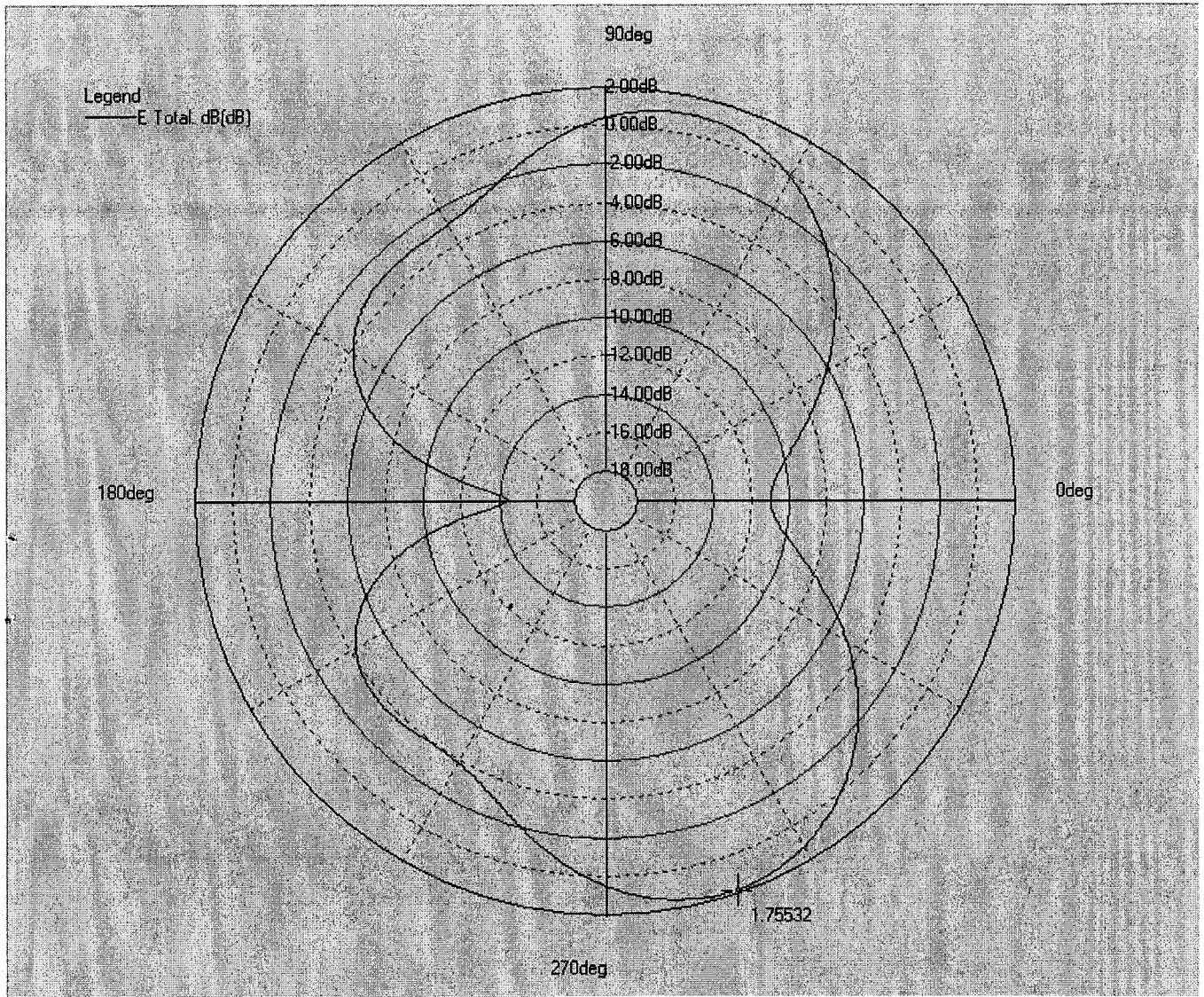
Brand / Model : 6602113051-230

Remark : 2400MHz

Tested by : Allen Yu

Date : 2007/07/10

Time : 上午 09 : 00



[89] 1D view / Frequency=2400.00MHz

-- : Max. deg

\*Unit : dBi

Frequency(MHz) : 2400.00

Pattern Field : E plane

Average Gain(dB) : -3.17dB

Maximum Gain(dB) : 1.76dB

Maximum Gain(degree) : -71.43

Minimum Gain(dB) : -14.54dB

Minimum Gain(degree) : -180.00

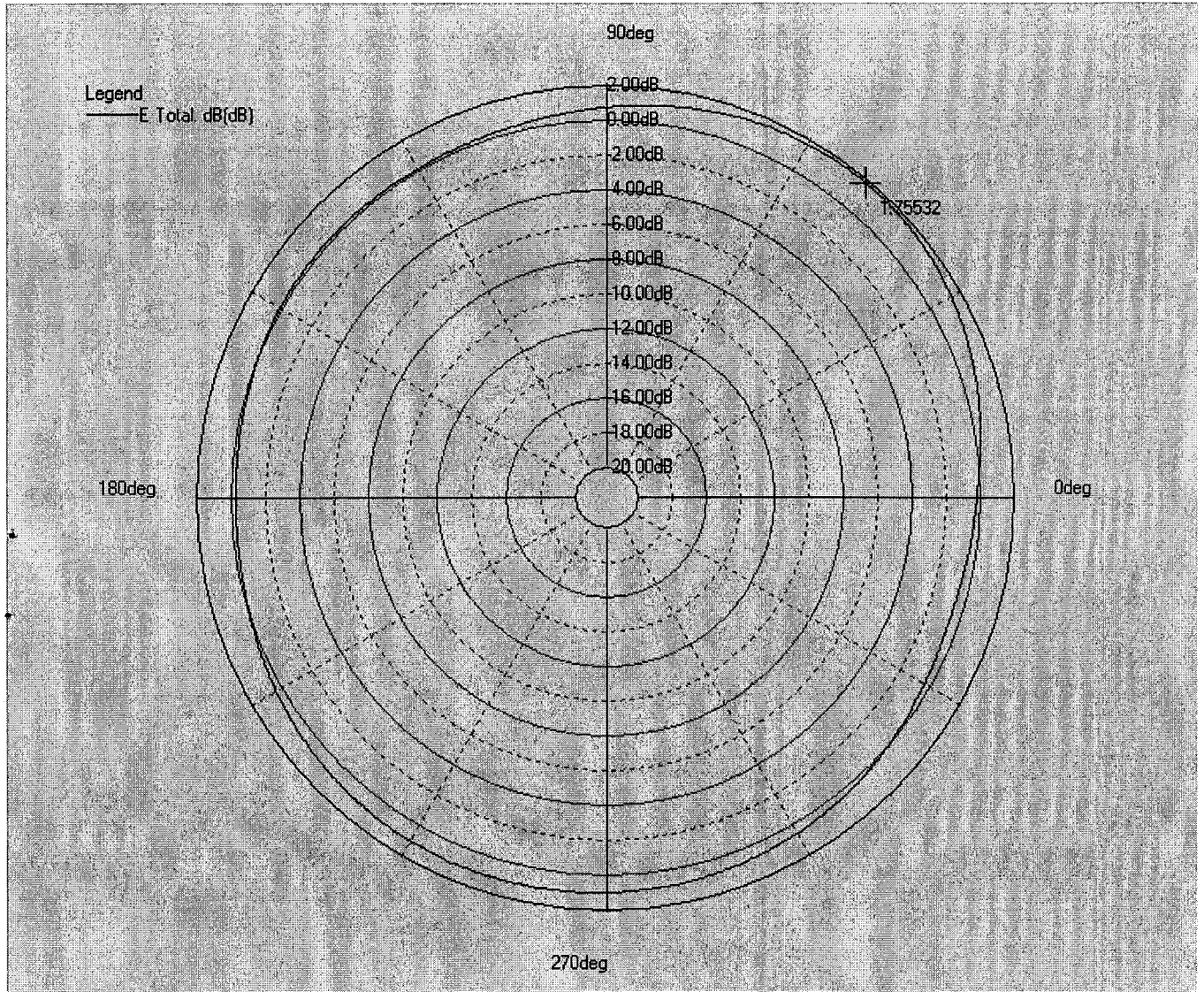
Brand / Model : 6602113051-230

Remark : 2400MHz

Tested by : Allen Yu

Date : 2007/07/10

Time : 上午 09 : 00



[111] 1D view / Frequency=2400.00MHz

-- : Max. deg

\*Unit : dBi

Frequency(MHz) : 2400.00

Pattern Field : H plane

Average Gain(dB) : 0.51dB

Maximum Gain(dB) : 1.76dB

Maximum Gain(degree) : 50.23

Minimum Gain(dB) : -0.58dB

Minimum Gain(degree) : 343.21