

Shot Navi[®] **POCKET**

User's Manual (PAR72SNP01)



Introduction

Thank you very much for purchasing the Shot Navi Pocket (Hereinafter : product). Please read this instruction manual carefully before operating the product and understand the operation method to the product. Please keep this manual handy at all time when you need it.. If you have any queires please contact our customer supporting desk informed on the final page of this manual.

“Shot Navi” is a registered trademarks of NEC Corporation.
(TM4962208)

Safety Precautions (To be strictly followed)

WARNING!!!

PROHIBITED ITEMS!!!

Do not use this product in the airplanes or in medical institutions. This product involving radio transmission.

Do not touch this product with wet hands or expose to water. This product is not waterproof. This kind of conditions play the mischief of this product.

Do not use this product under direct sunlight. It may cause malfunctioning to the product.

Do not use this product in extremely cold, hot or humid condition. It may cause malfunctioning to the product.

Do not use this product in a dusty place. It may cause malfunctioning to the product. Do not vibrate this product strongly. It may cause malfunctioning to the product.

Do not place this product close to the fire. It may cause malfunctioning and deform to the product.

Do not disassemble, modify or replace the component of this product.

Do not use batteries that are not specified. It may cause malfunctioning to the product.

Table of Contents

PACKAGE CONTENTS

1. GETTING READY

1-1. Inserting batteries.

1-2. Acrylic panel.

2. OUTLINE

3. FUNCTIONS

4. MAIN SPECIFICATIONS

4-1. GPS Specifications

4-2. Bluetooth Specifications

4-3. USB Specifications

4-4. Terminal Specifications

5. COMPONENT NAMES

6. PRECAUTIONS

7. DISPLAY SCREEN

7-1. Selection Screen

7-2. Distance Screen

7-3. Flying Distance Screen

8. SCREEN TRANSITION

9. MENU SCREEN

10. OPERATION FLOW

11. SELECTING GOLF COURSE

11-1. Select favorite

11-2. Automatic search for golf courses

11-3. Manual selection

12. SELECTING COURSE

13. SELECTING HOLE

14. CHANGING HOLE

15. NAVIGATION

16. MARK INFORMATION REGISTRATION

17. FLYING DISTANCE DISPLAY

18. ADDING GOLF COURSE TO FAVORITE

19. SETTING

19-1. Today's Mark Position

19-2. Unit of distance display

19-3. Hole detection method

19-4. Contrast of screen

19-5. Language

20. DELETING REGISTERED DATA

20-1. Deleting mark data

20-2. Deleting registered favorite lists

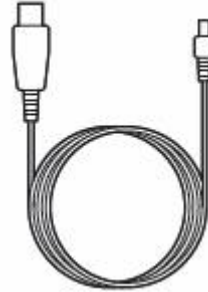
21. TROUBLE SHOOTING

22. WARRANTY

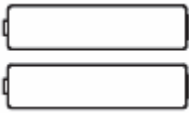
Package Contents



- One terminal (including acrylic panel)



- One mini USB cable



- Two triple A batteries



- One hexagonal wrench

- Quick start guide
- Manual booklet
- Warranty

1. GETTING READY

■1-1. Inserting batteries.

This product uses batteries for its power. Insert batteries properly before using.



*Please be aware of the direction of batteries.

■1-2. Acrylic panel

Acrylic panel can be removed by using hexagonal wrench.

Enjoy with favorite picture or various pattern by attaching them to this product and protect them with acrylic panel.



*Please be aware that the acrylic panel can be broken if screws are tightened too strong.

2. OUTLINE

This product stores more than 90% of golf course data in Japan in its internal memory. It determines a position (calculates your current longitude and latitude on the earth.) by using GPS satellite and displays calculated distance to the target position on the golf course that is recorded internally in this product.

Note) Please see support page on our website regarding to the registered golf courses of this product. Also the information on adding corresponded golf course and corrected golf course data are on our website.

3. FUNCTIONS

- **Automatic golf course search**

This product determines which golf course you are located by searching golf course data registered in this product from current position.

- **Automatic Hole information display**

This product displays information of the hole automatically when you go into tee ground. It may not display information of the hole automatically, since it depending on the condition of golf course. In this case, operate this product and select the hole by manually.

- **Distance display**

Object for distance display: green edge, green center, and specific target.

The target (object) can be changed as pushing select button.

- **Registering mark and flying distance display**

This product stores (registration position) specific mark (e.g. ball position) into internal memory with button operation. It can store 1000 positions. And it displays distance (flying distance) between registered position and current position if positioning registration is completed.

4. MAIN SPECIFICATIONS

■4-1. GPS specifications

positioning specifications

| | |
|------------------------------|----------------------------------|
| Received frequency | : 1575.42 MHz(L1 frequency band) |
| Received code | : C/A code (1.023MHz) |
| Number of received channels | : parallel 32 channels |
| Positioning system | : independent positioning, DGPS |
| Geographic coordinate system | : World Datum (WGS-84) |

Positioning performance

| | |
|-----------------------|---|
| Positioning accuracy | : 5m (2D-RMS) |
| Acceleration accuracy | : 0.4m/sec. |
| Hot start | : 2 sec. (Typ.) |
| Warm start | : 35 sec (Typ.) |
| Cold start | : 42 sec (Typ) |
| Received sensitivity | : Acquisition -146dBm Tracking -158dBm |
| Output updating cycle | : 1 sec |

Maximum performance

| | |
|--------------|------------|
| Altitude | : 18,000m |
| Velocity | : 515m/sec |
| Acceleration | : 4G |

4-2. Bluetooth specifications

| | |
|------------------------|------------------|
| BT version | : Bluetooth V1.2 |
| Output | : Class 2 |
| Communication distance | : Max 10m |

4-3. USB specifications

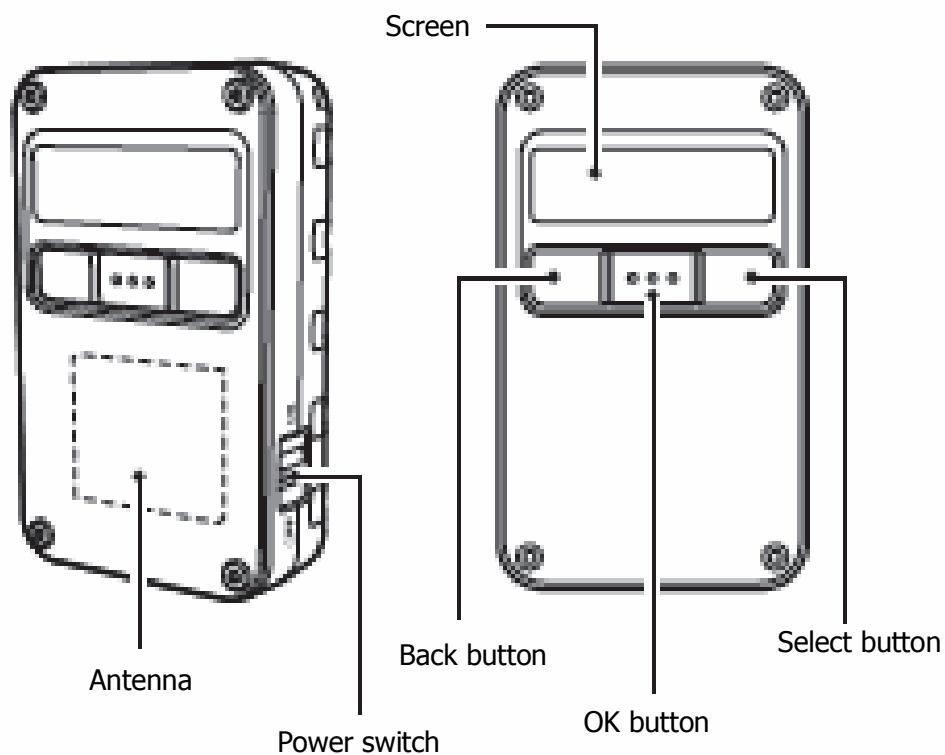
| | |
|----------------|------------------|
| Connector type | : mini-USB typeB |
|----------------|------------------|

4-4. Terminal specifications

| | |
|-----------|------------------------------------|
| Dimension | : width46mm×height78mm×depth25mm |
| Weight | : 65g (batteries are not included) |
| Display | : Monochrome 128×32 dots |

Power : Two triple A type batteries
Airtime : About 15 hours (with alkali battery)
Airtime depends on what type of batteries is used.
Operating temperature : 0-40°C

5. PART NAMES

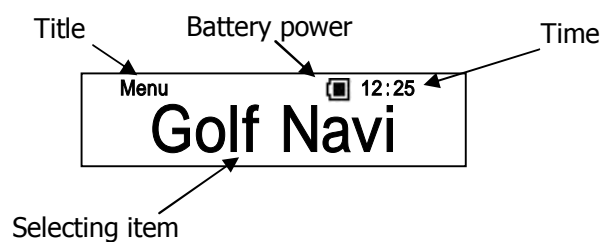


- Power switch : Turns on/off the power.
- Select button : Changes selections.
- Back button : Returns to the previous title.
- Ok button : Determines selection item.
- Screen : Displays selection item and distance information
- Antenna : GPS antenna (internally embedded.)

6. PRECAUTIONS

- This product specifies the position by receiving radio wave from GPS satellite. Therefore, it may have a large margin of distance error on the screen. Covering antenna or directing it to the person cause lowering the sensitivity and the product can not locate the accurate position. Try not to cover antenna with body when you use it.
- Positioned location may vary slightly even though you are in the same position. GPS satellite always moves around the earth as a result the location of GPS satellite changes from your point of view. Also it is difficult to acquire the satellite under big trees or high buildings.
- This product may have measurement error due to positioning accuracy of GPS(5m) and Course data accuracy (5m).
- This product is not waterproof. Do not operate it with wet hand or water it, it may cause mal functioning to the product.
- Batteries that included with this product is for short term use. New batteries (alkaline battery) can last about 15 hours at normal condition.
- Be aware of the remaining battery before using it. It may not be able to locate the position when battery is low.
- This product has stored course data in internal memory. Longitude and latitude information of green center and green edge point on golf course is set. Therefore, information may be different from edge position that is set by a golf course. Also stored golf course data may be different from actual course data due to overhaul of golf course or naming change although these information has been carefully acquired and researched.
- The positioning distance of this product only shows distance from point to point. It does not include undulation of golf courses such as vertical interval.
- This product can be used for official game only if local rule of each committee has authorized it. Inquiry to each committee is recommended before the game.
- Be careful with slow play when you use this product.
- Because this product shows straight distance to green from any position, the distance from tee ground to green may be shorter than actual distance especially on dogleg.
- We have planned on updating and adding more stored golf course data of this product. Also we offer user support regarding to this product on our website. Please visit our website and perform user registration.

7. DISPLAY SCREEN



- **Title: Shows the title of selection item.**

"Menu" : Select menu

"Area" : Select area


"Prefectures" : Select prefectures


"Golf course" : Select golf course


"Course" : Select course

"Hole" : Select hole

- **Battery power : Shows remaining batteries by third step**

 → Enough remaining batteries

 → Low remaining batteries

 → Change the batteries

- **Time : Shows current time**

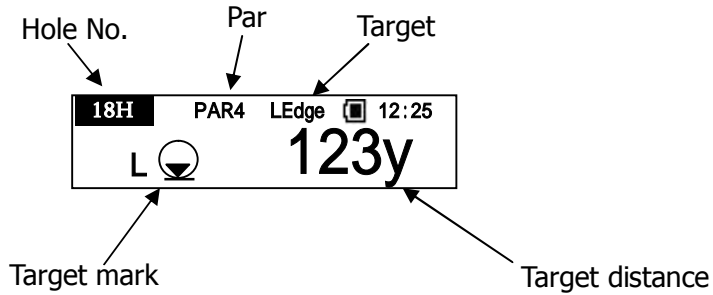
12:25 → Receiving GPS satellite radio wave

—:— → Not receiving GPS satellite radio wave

- **Selecting item: Shows selecting items**

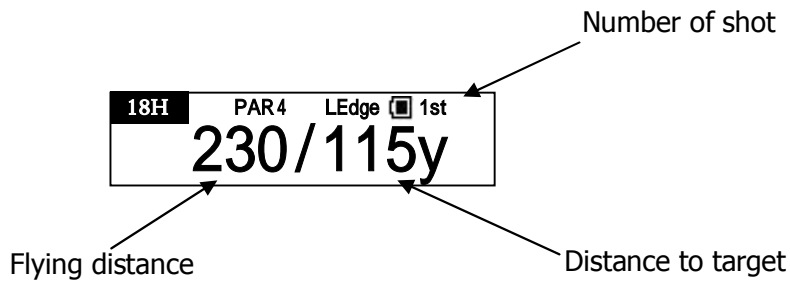
Items are changes with button operation.

7-2. Distance screen



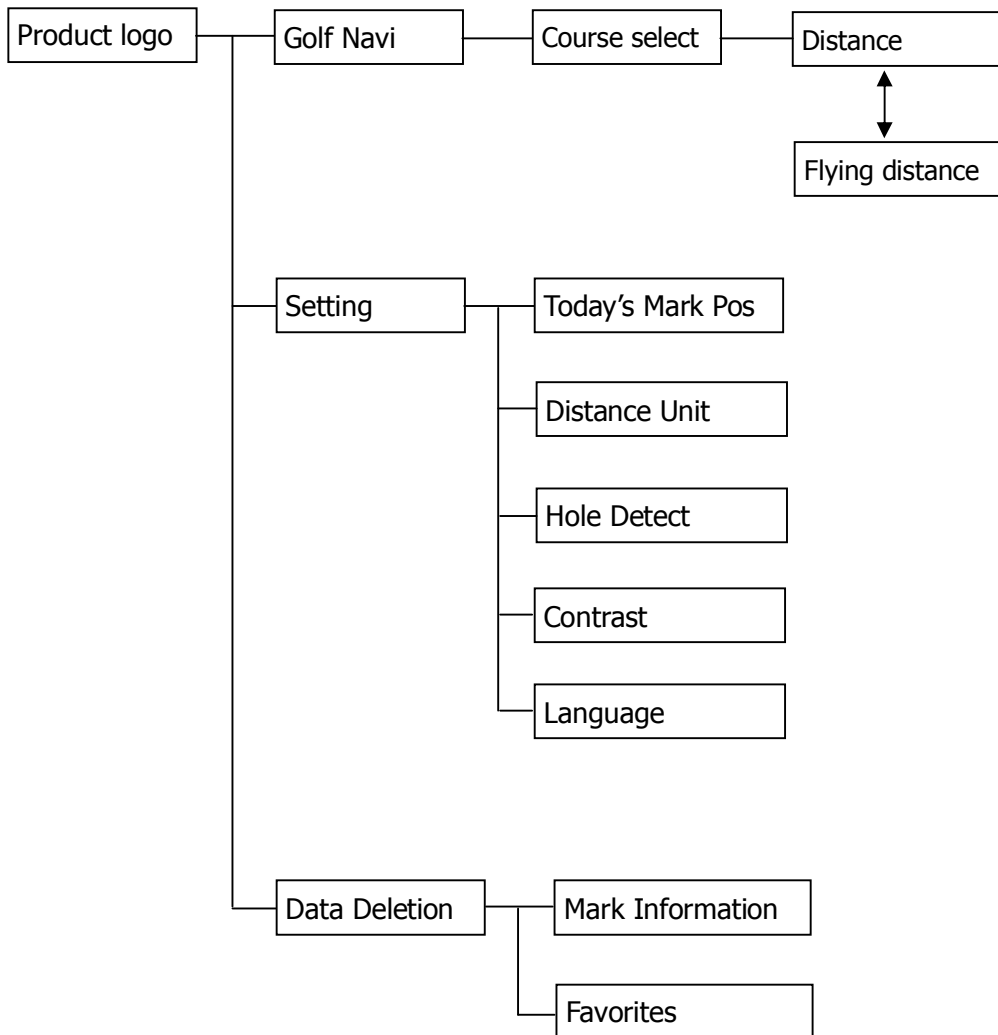
- Hole No : Selected hole number
- Par : Selected par number
- Target : Name of target
- Target mark : Target mark
- Distance to target : Distance to the target

7-3. Flying distance screen



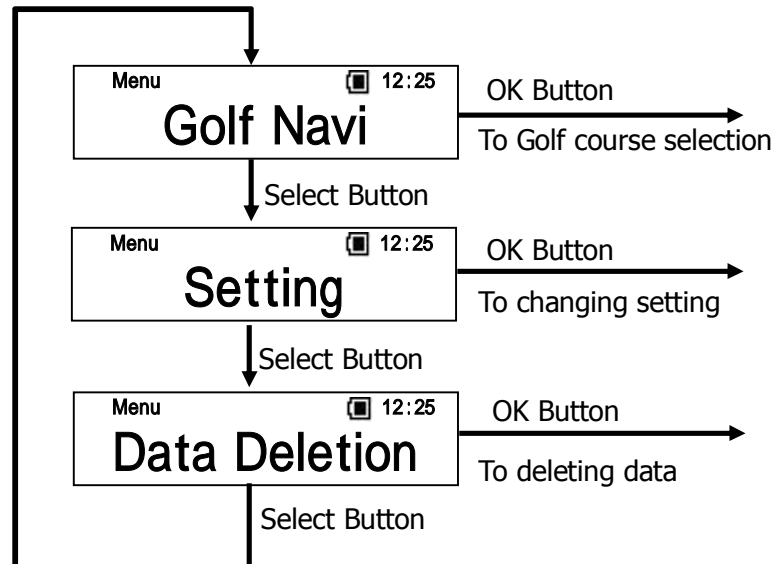
- Number of shot : Number of shots on display hole
- Flying distance : Distance from previous mark registration to current position

8. SCREEN TRANSITION



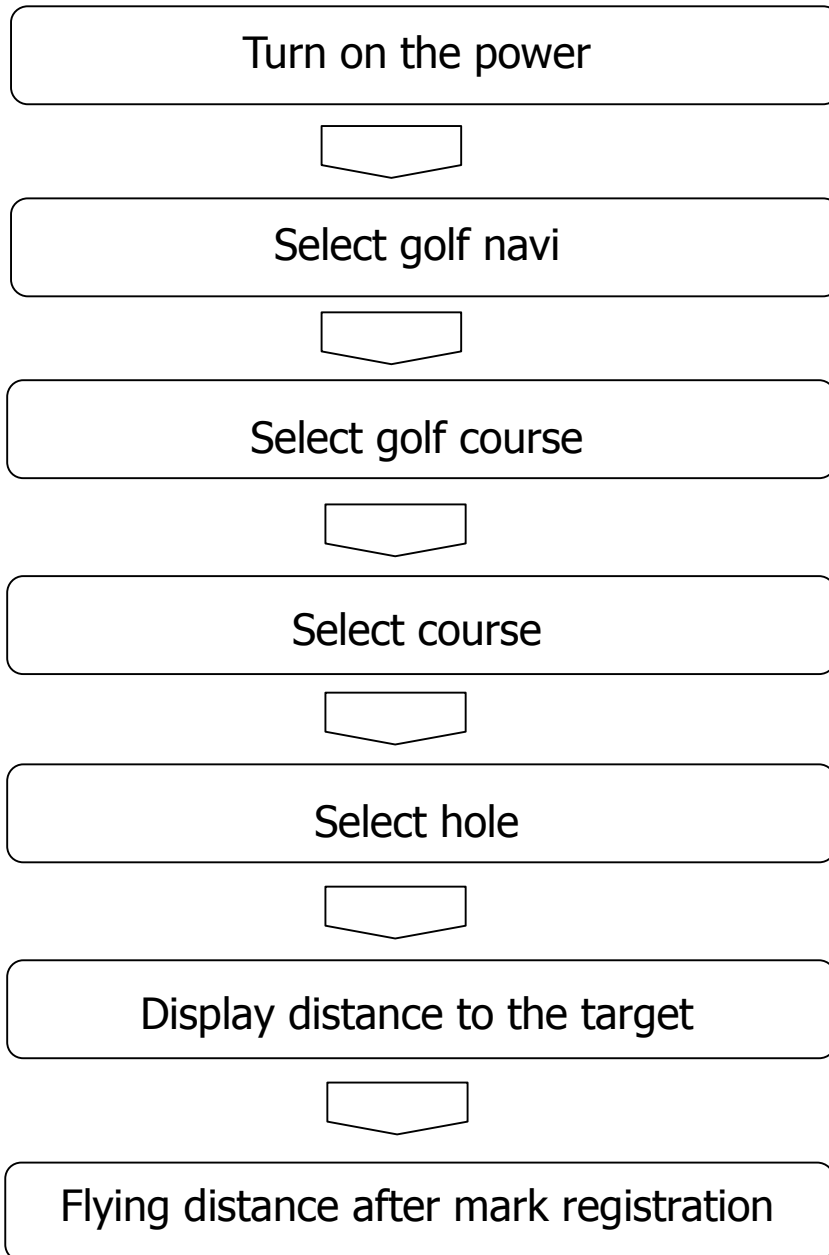
9. MENU SCREEN

There are "Golf Navi", "Setting", and "Deleting data" on the menu.



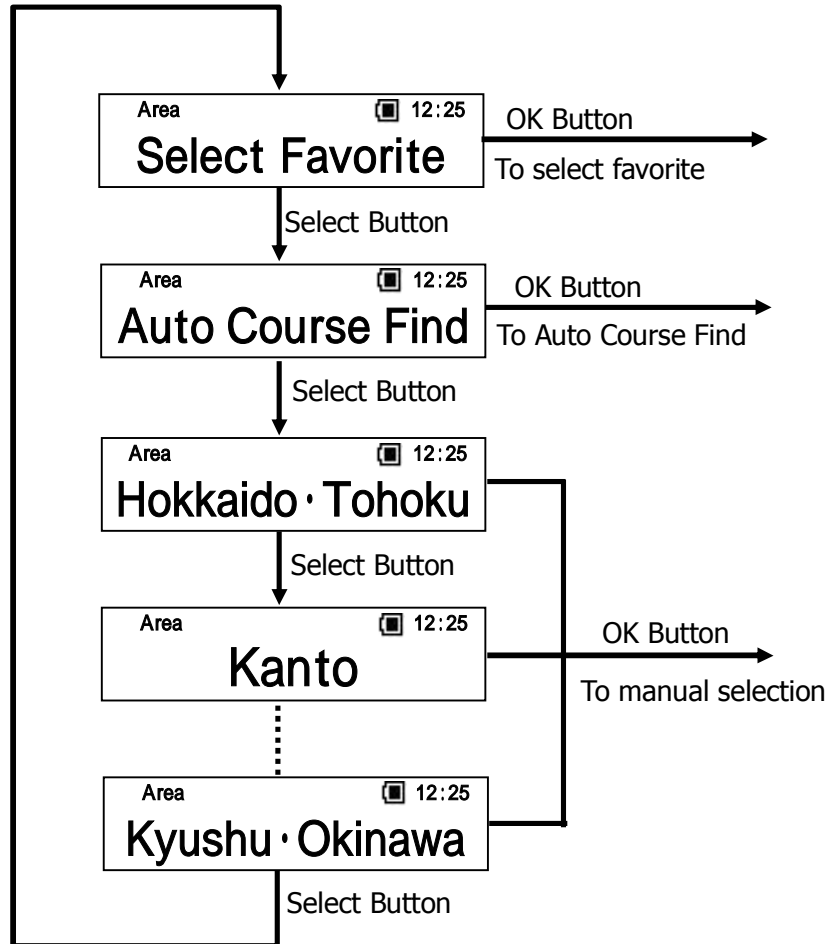
- Selecting course : Select golf course and display distance to target, flying distance and hole information.
- Changing setting : Change "Today's Mark Pos", "Distance Unit", "Hole Detection", "Contrast", and "Language".
- Deleting data : Delete registered Mark Information and Favorites.

10. OPERATION FLOW



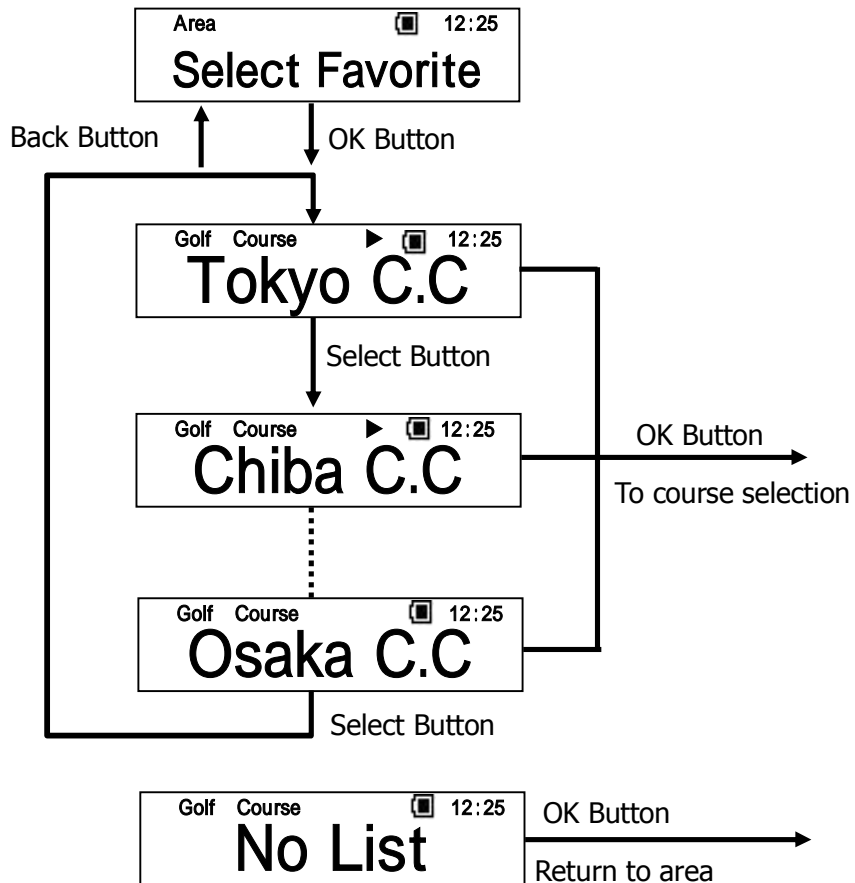
11. SELECTING COURSE

There are three ways to select golf course, they are "Favorite selection", "Auto Course Find", and "Manual selection".



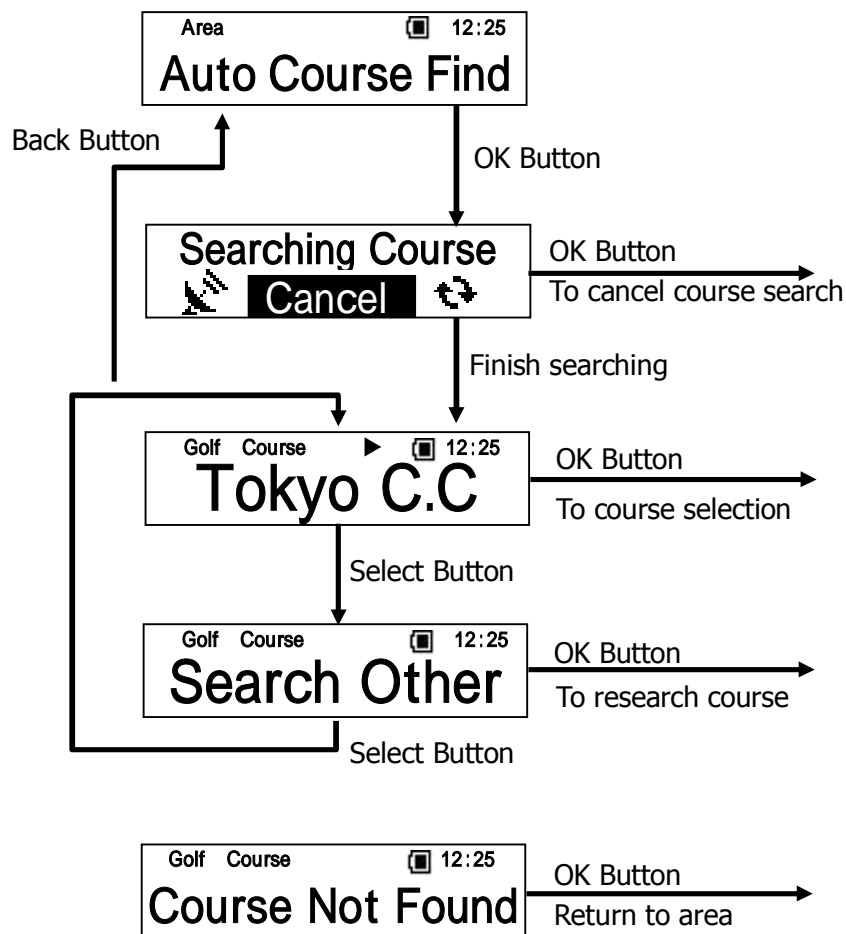
11-1. Select favorite

The name of golf courses that were added to favorite is shown. Here if there is ► mark on the left side of battery power logo, means there are other candidates. Then select golf course from favorite. Names of golf course appear as scroll if there are more than certain numbers of word. It shows "No List" if nothing is registered as favorite.

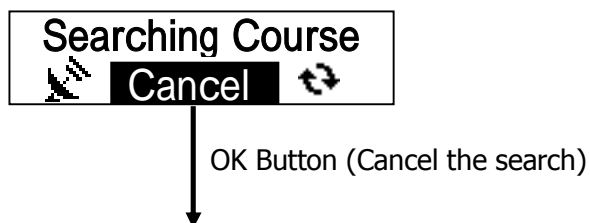


11-2. Auto Course Find (Automatic search for courses)

Current position fixed by GPS has searched the golf course within golf course area stored internal body automatically. Golf course which is not preferred may be shown in the course where two golf courses are next to each other. In this case, select "Search Other" on the screen. Name of golf course appear as scroll if there are more than certain numbers of word. Also if the golf course is not stored, it shows "Course Not Found".



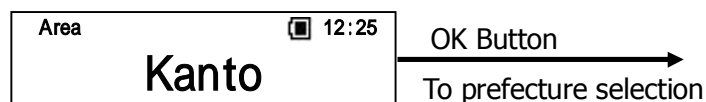
When Auto Course Find is canceled during the search, detected area or prefecture at that point is displayed on the screen. If the area can not be detected at that point, it displays "Out of Area". Refer to 11-3 manual selection for operation in case automatic course selection is canceled during the search.



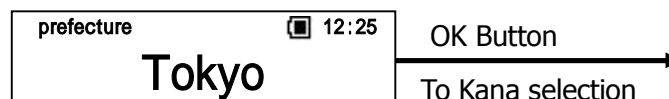
In case the area can not be detected at the cancellation.*



In case the area can be detected at the cancellation.



In case the prefecture is detected during the cancellation.



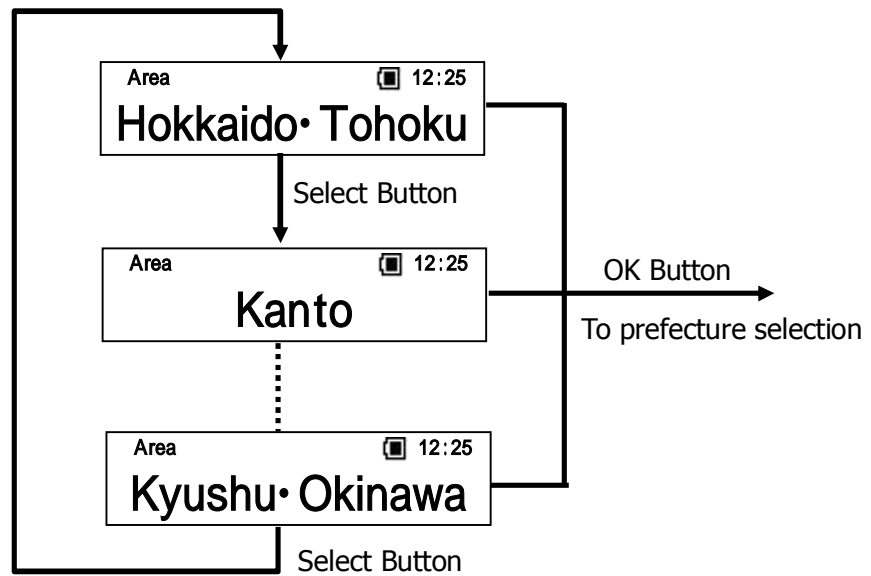
*Displayed message may not be accurate if the search is cancelled halfway.

11-3. Manual selection

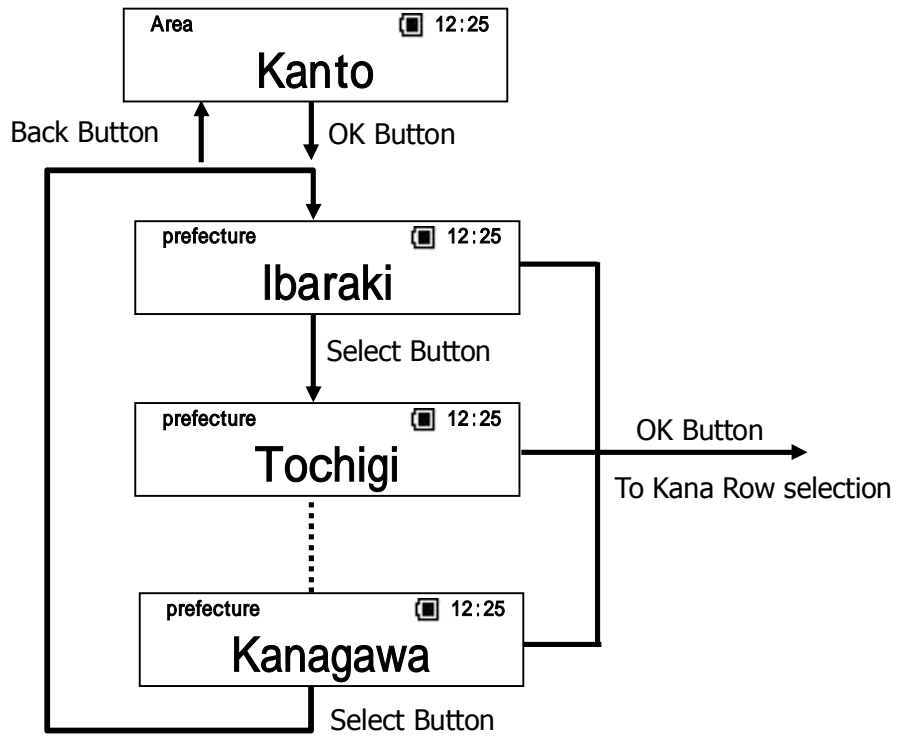
Select items as follows : □Area→□Prefecture→□Kana row→□Kana column→□Golf course.
And target golf course is displayed at the end.

Select area

Select Area from six areas as "Hokkaido·Touhoku", "Kanto", "Cyubu", "Kansai", "Chugoku·Shikoku", and "Kyusyu·Okinawa".

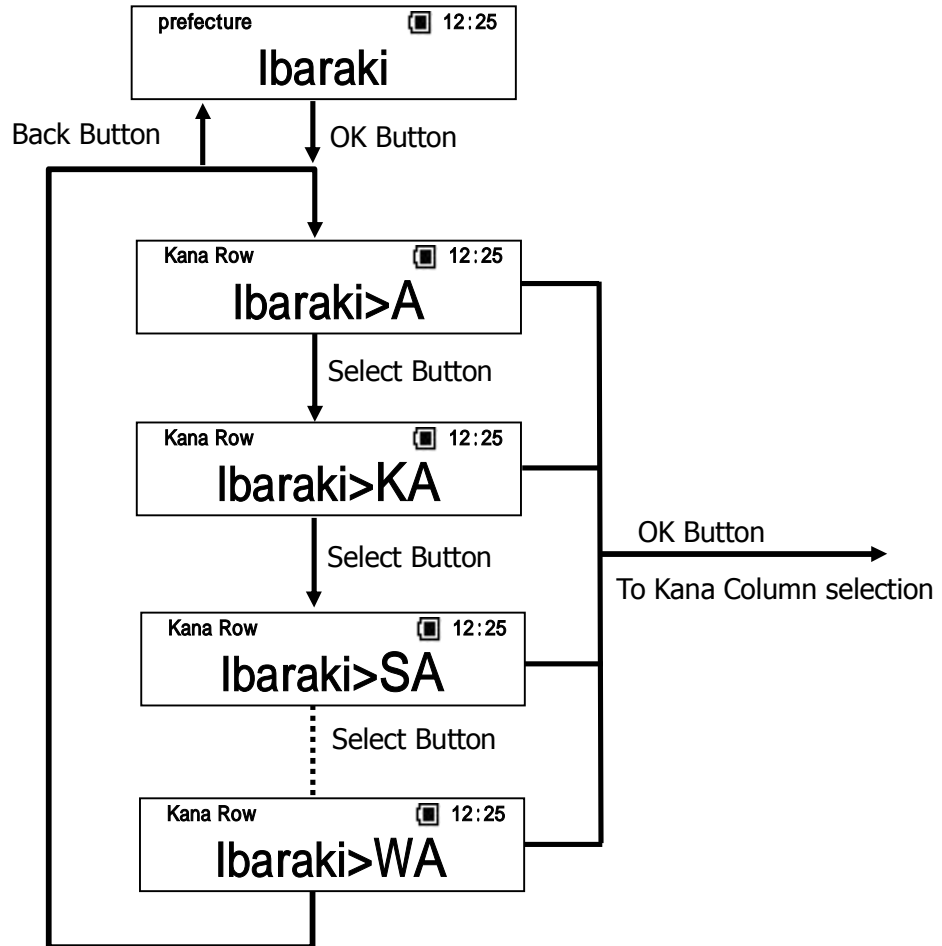


Select prefecture
Select prefecture that belongs to each area.



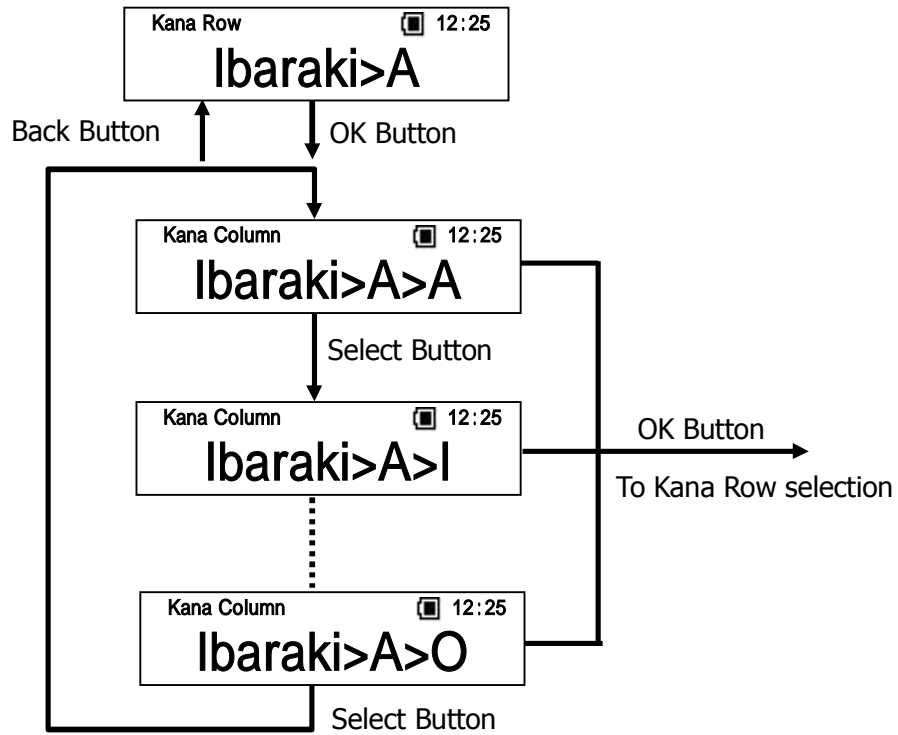
Select Kana Row

Select Kana Row which is the initial of the target golf course in Japanese pronunciation.



Select Kana Row

Select Kana Column which is the initial of the target golf course in Japanese pronunciation.



Select golf course

Select golf course which is chosen by Kana selection.

If there is a mark on the left side of battery power logo, it means there are other candidates. Then select the golf course from the list. Name of golf course appear as scroll if there are more than certain numbers of word. Also if the golf course is not stored, it displays "No Courses".

12. SELECTING COURSE

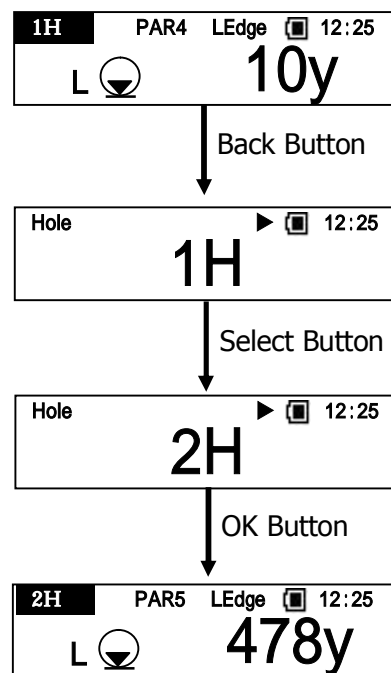
Once golf course is selected, the name of the course is displayed on the screen. If there is ▶ mark on the left side of battery power logo, it means there are other candidates. Then select the golf course from the list. Also if favorite course is selected, the course is added to favorite however, if the course is already added to favorite, the course can not be shown as favorite. Refer to article 18 Register golf course as favorite for registering favorite.

13. SELECTING HOLE

Once the course is selected, hole is shown on the screen. If there is ▶ mark on the left side of battery power logo, it means there are other candidates. Then select the golf hole from the list. Also if hole detect is set as automatic, hole information is shown automatically when you move to teeing ground. Hole detect is set as automatic when it is delivered from the factory. Refer to article 19-3 Hole detect method for hole detection setting. For manual operation, see article 14 Change the hole in case hole is not changed automatically with automatic setting.

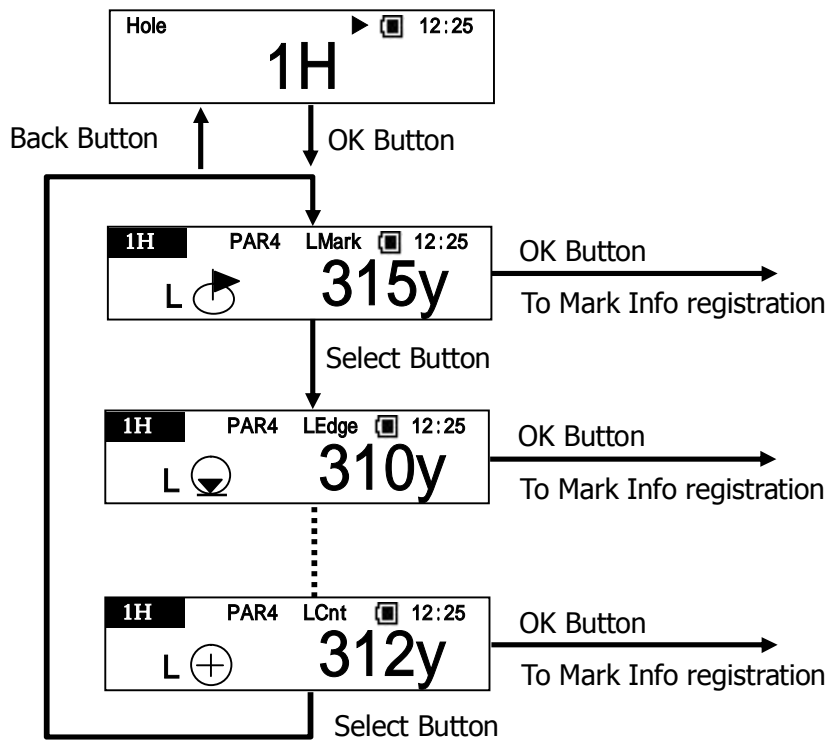
14. CHANGING HOLE

This product has automatic hole traveling function however, it may not work automatically. In this case follow the operation as below.



15. NAVIGATION

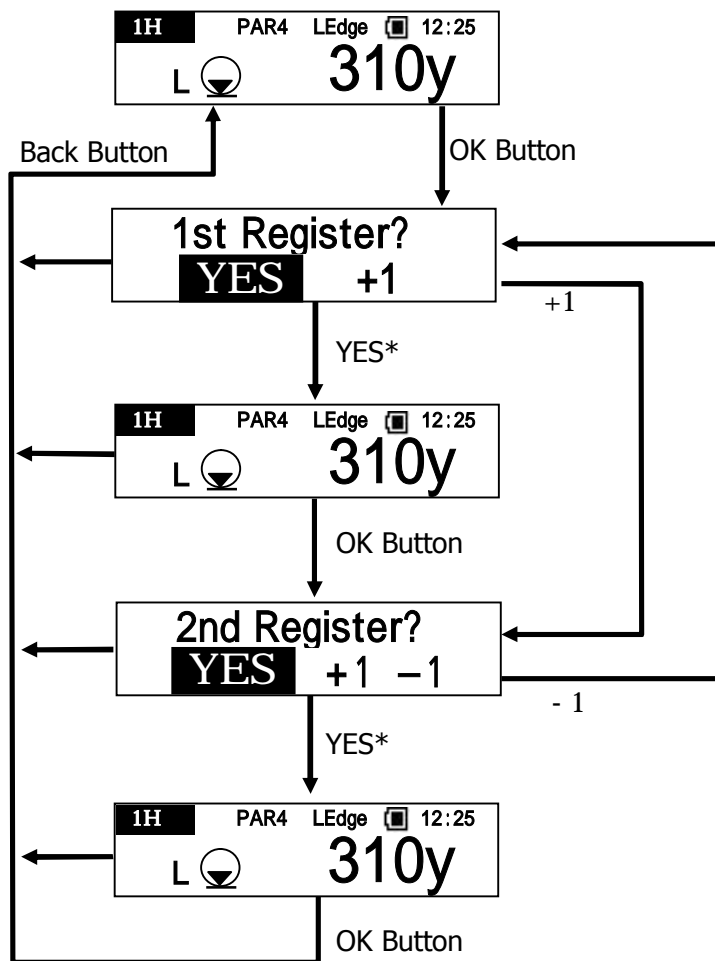
Navigation screen is displayed if hole is selected or detected by automatic hole detection function. Target of mark*, edge, and center can be changed. Also if there are 2 holes on the green, it Displayed L (Left green) or R (Right green) on the screen. If OK button is pressed on the Navigation screen, it moves to positioning registration and penalty.



*The distance to mark will be displayed only if today's Mark Position is received from external device via communication.

16. MARK INFORMATION REGISTRATION

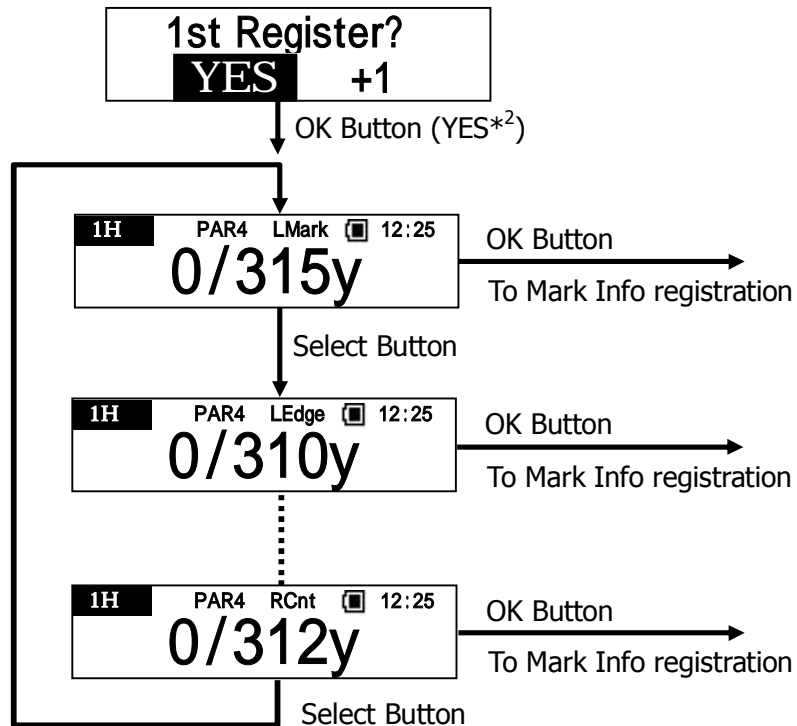
Mark Information registration is shown once OK button is pressed on Navigation screen. Registered Mark Information can be registered as shot number and shot number can be changed (penalty) in the case of OB etc. There will be – or + for adjusting penalty after first Mark Information registration is completed. Once Mark Information is done, it moves to flying distance.



*Select item with Select Button, and then decide with OK Button.

17. FLYING DISTANCE DISPLAY

Flying distance will be shown once Mark Information registration is completed. On the flying distance screen, target of mark*¹, edge, and center can be changed. In this case, if there are 2 holes on the green, it displays L (Left green) or R (Right green) on the screen. Once OK button is pressed on flying distance screen, it moves to positioning registration.



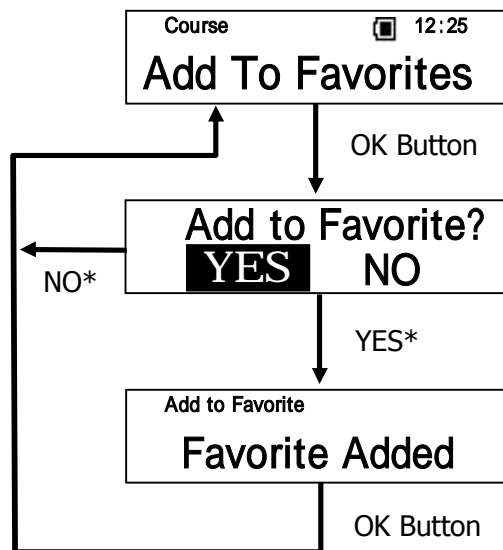
*1 The distance to mark will be displayed only if today's target is received from external device via communication.

*2 Select item with Select Button, and then decide with OK Button.

18. ADDING GOLF COURSE TO FAVORITE

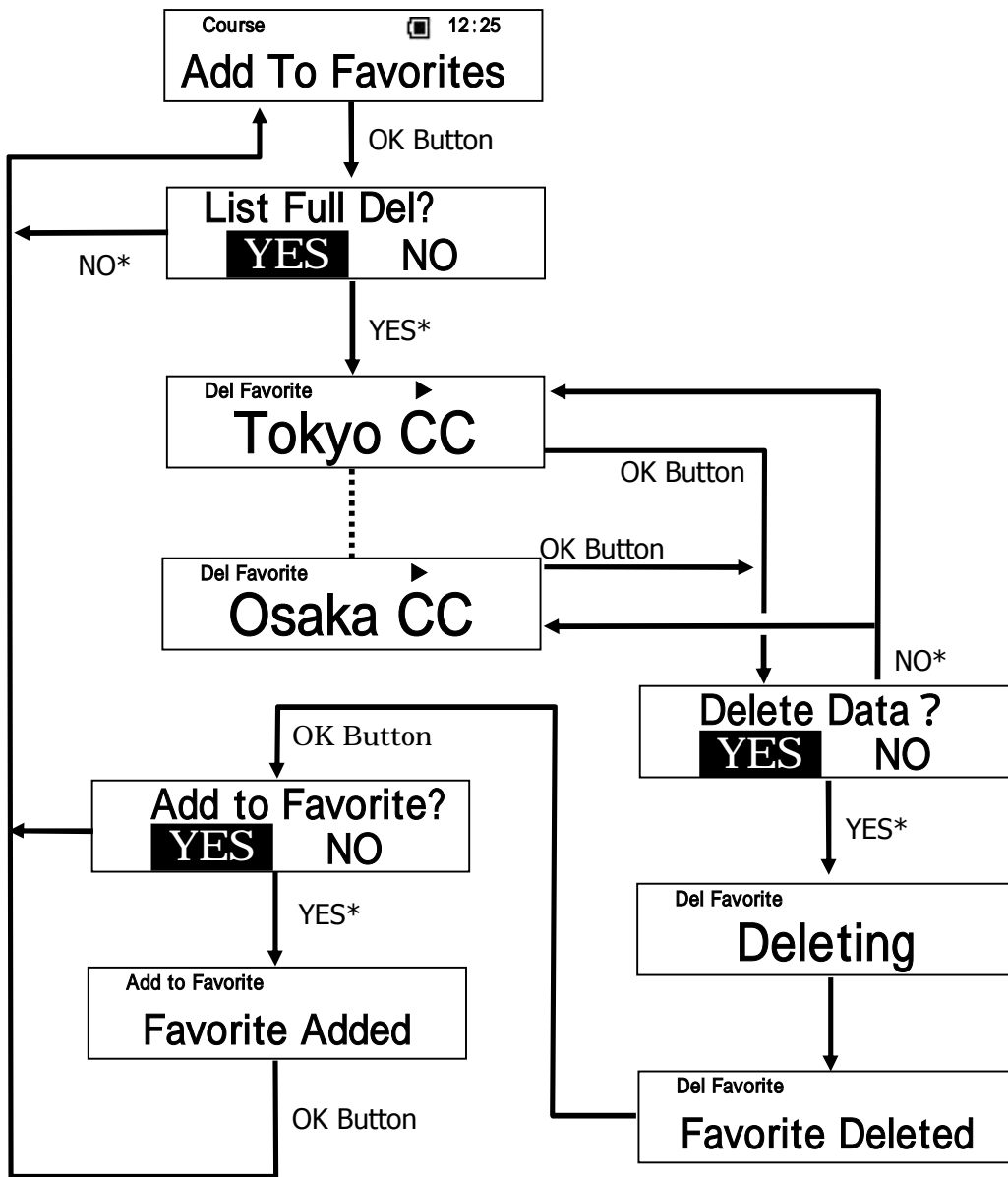
Frequently used golf courses can be added up to 10 golf courses to favorite. If there have been already 10 golf course added in favorite, some golf course have to be deleted in order to add new ones. Once the golf course is added in favorite, it becomes easy to select golf course from favorite.

With data vacancy



* Select item with select button, and then define with Ok button.

□ No data vacancy



* Select item with select button, and then define with Ok button.

19. SETTING

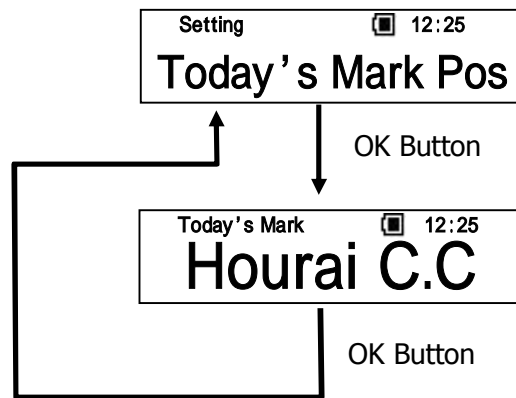
Change settings of this product.

There are "Today's Mark Pos", "Distance Unit", "Hole Detect", "Contrast", "Language" as setting items.

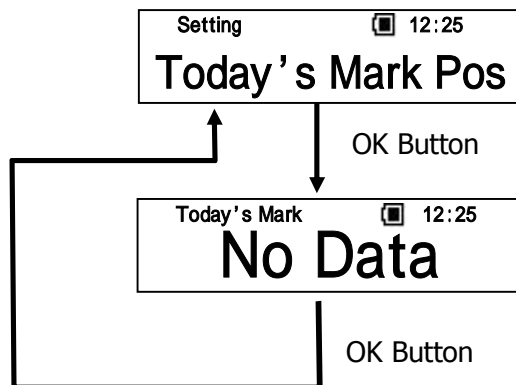
19-1. Today's Mark Position

Make sure if the target for the day in formation is registered. The target for the day is only effective on that day. The data registered other than that day is not displayed.

Target for the day is already registered.



With no target for the day



19-2. Unit of distance display

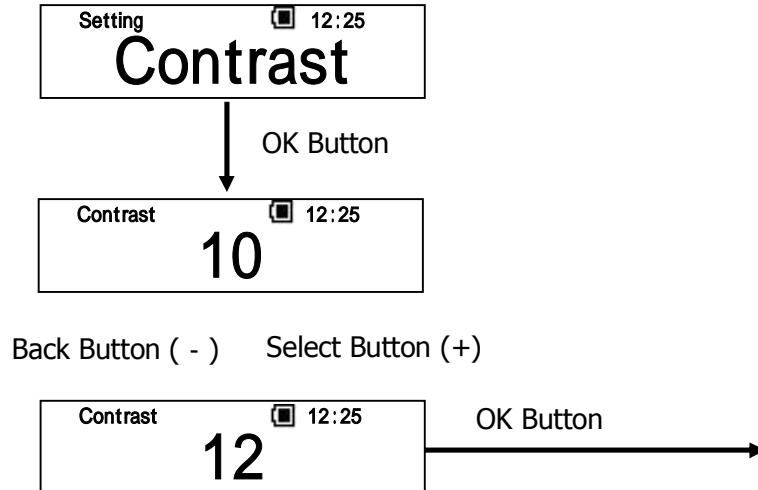
Set unit for distance to a target and flying distance. Unit can be set as Yard or Meter. The unit is set as Yard when it is delivered from the factory. The unit which is selected currently is displayed, and then selects the unit for display distance.

19-3 Hole detection method

Set hole detection method. The mode for setting is automatic or manual. When automatic is selected as setting, automatic hole detection function is on. It displays hole information automatically after selecting course. The mode is set as automatic when it is delivered from the factory. The mode which is selected currently is displayed on the screen, and then selects the mode.

19-4 Contrast of screen

Set the contrast on the screen. The setting range is from 1 to 16. The contrast is set as 10 when it is delivered from the factory. The current setting value is displayed, then change the setting value.



■19-5 Language

Set Language of the screen. Japanese or English are for setting. The Language is set as Japanese when it is delivered from the factory. The language which is selected currently is displayed, then select language.

20. DELETING REGISTERED DATA

Delete variety of registered data of this product. Deleting items are "Mark Information" and "Favorites".

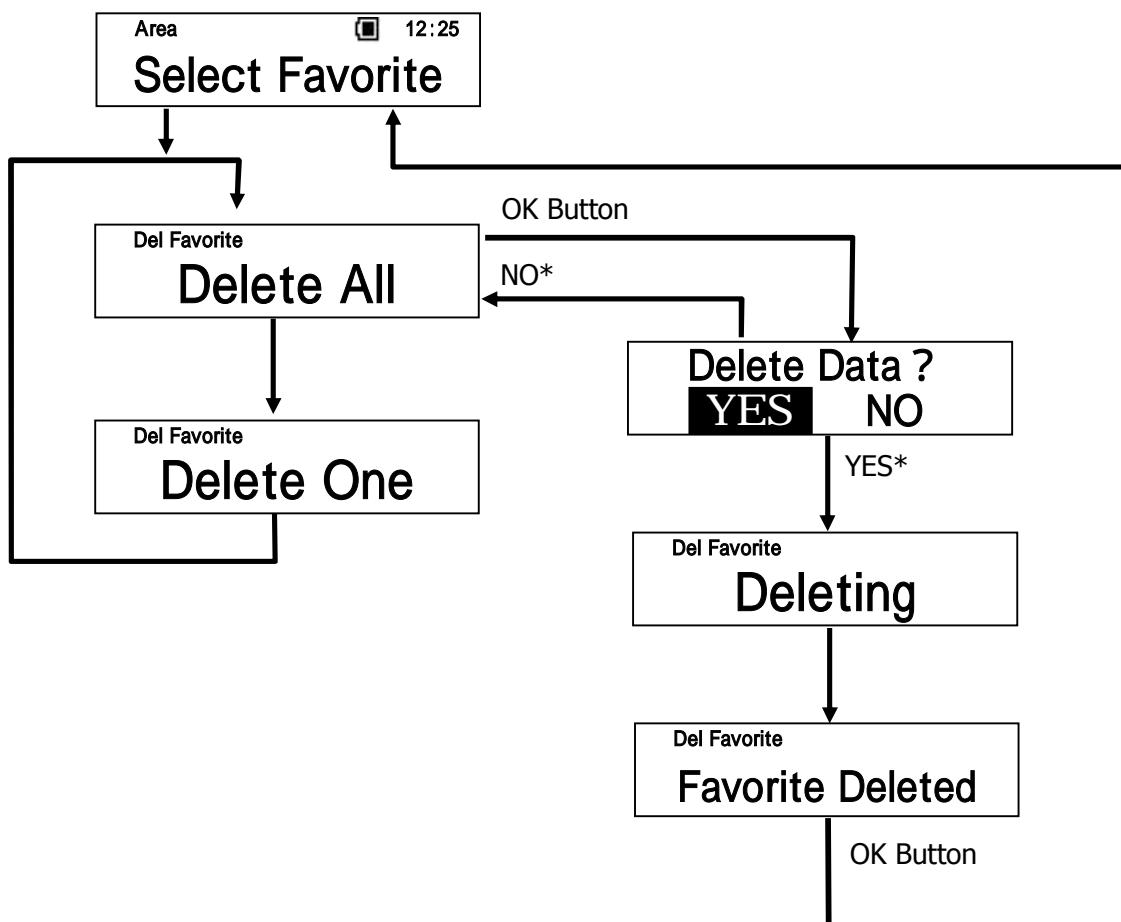
20-1. Deleting Mark data

Delete registered positioning data of this product. If there is no data registered, it shows "No Data".

20-2 Deleting Favorite lists

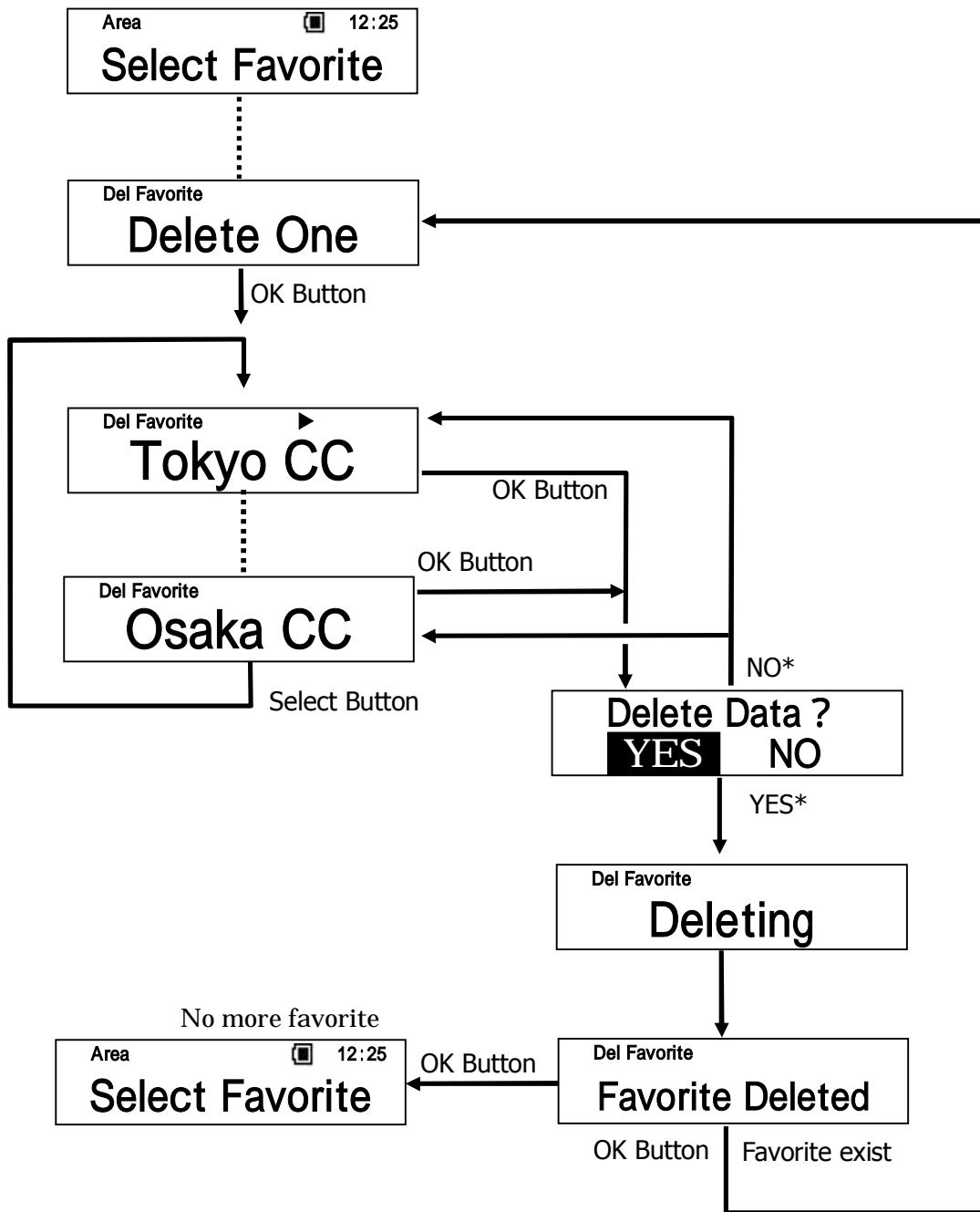
Delete registered favorite list of this product. There are collective deleting and individual deleting as deleting method. If there is no golf course data, it displays "No Favorite"

. collective deleting



* Select items with select button and then define with OK button.

Individual deleting



* Select items with select button and then define with OK button.

21. TROUBLE SHOOTING

Check with this table if there is something wrong with this product.

If it does not operate properly after checking it with this table, please contact to customer service.

| Case | Reason | How to fix |
|--|--------------------------------------|---|
| It can not be turned on | Low battery power | Change batteries |
| It returns to initial screen without touching power switch | Low battery power | Change batteries |
| It does not show time | It can not receive GPS signals | Make sure if antenna is not covered or used it inside. |
| It shows 999Y on distance screen | Distance from the target is far away | Make sure the current hole and the selected hole are the same |
| It shows -----on distance screen | It can not receive GPS signals | Make sure if antenna is not covered or used it inside. |

22. Warranty

This product can be fixed for free one year after purchase if it got broken under the proper condition. Please bring this product with warranty and go to the store that you purchased it when you need to fix it. For frequently asked questions and inquiries, refer to our home page or e-mail address below:

URL <http://www.par72.co.jp/snp/>

Mail snp-info@par72.co.jp

About handling of personal information for customers

We, PAR72PLAZA Co., Ltd. and the other related companies, may use or keep record of customer's personal information such as name, address and his/her consulting content for responding to customer or confirmation of provided services. However, we manage customer's personal information properly and do not provide it to any third parties without for right purpose and commission for fixing this product. For customer's personal information, please inquire to customer service that you consult with.

Producer: PAR72PLAZA Co., Ltd.

Customer service Toll free 0120-872-072

"FEDERAL COMMUNICATIONS COMMISSION INTERFERENCE STATEMENT

This equipment has been tested and found to comply with the limits for a Class B digital device, pursuant to Part 15 of the FCC Rules. These limits are designed to provide reasonable protection against harmful interference in a residential installation. This equipment generates, uses and can radiate radio frequency energy and, if not installed and used in accordance with the instructions, may cause harmful interference to radio communications. However, there is no guarantee that interference will not occur in a particular installation. If this equipment does cause harmful interference to radio or television reception, which can be determined by turning the equipment off and on, the user is encouraged to try to correct the interference by one or more of the following measures:

- Reorient or relocate the receiving antenna.
- Increase the separation between the equipment and receiver.
- Connect the equipment into an outlet on a circuit different from that to which the receiver is connected.
- Consult the dealer or an experienced radio/TV technician for help."

"RF exposure warning??

·This equipment must be installed and operated in accordance with provided instructions and the antenna(s) used for this transmitter must be installed to provide a separation distance of at least 20 cm from all persons and must not be co-located or operating in conjunction with any other antenna or transmitter. End-users and installers must be provide with antenna installation instructions and transmitter operating conditions for satisfying RF exposure compliance. "