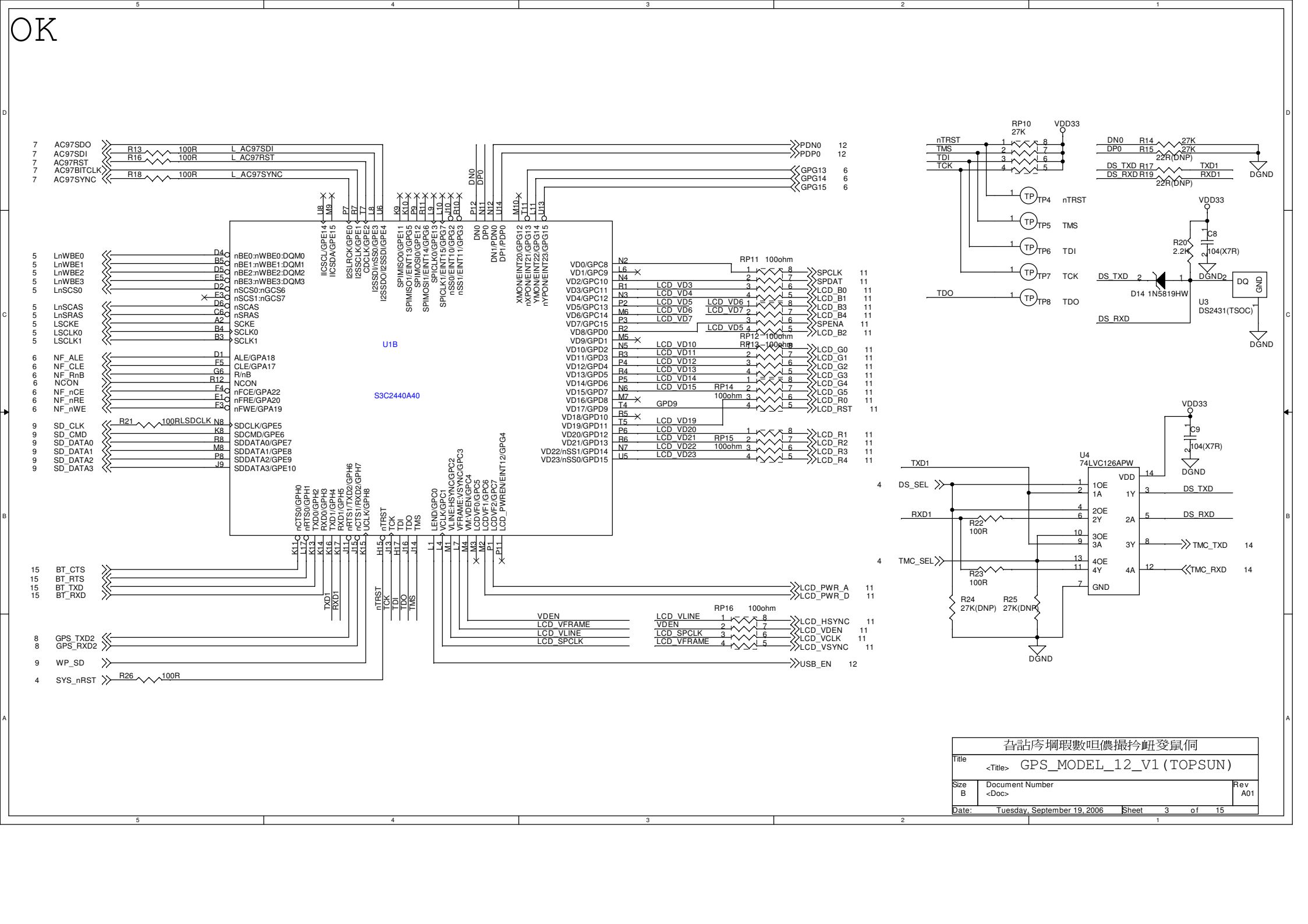




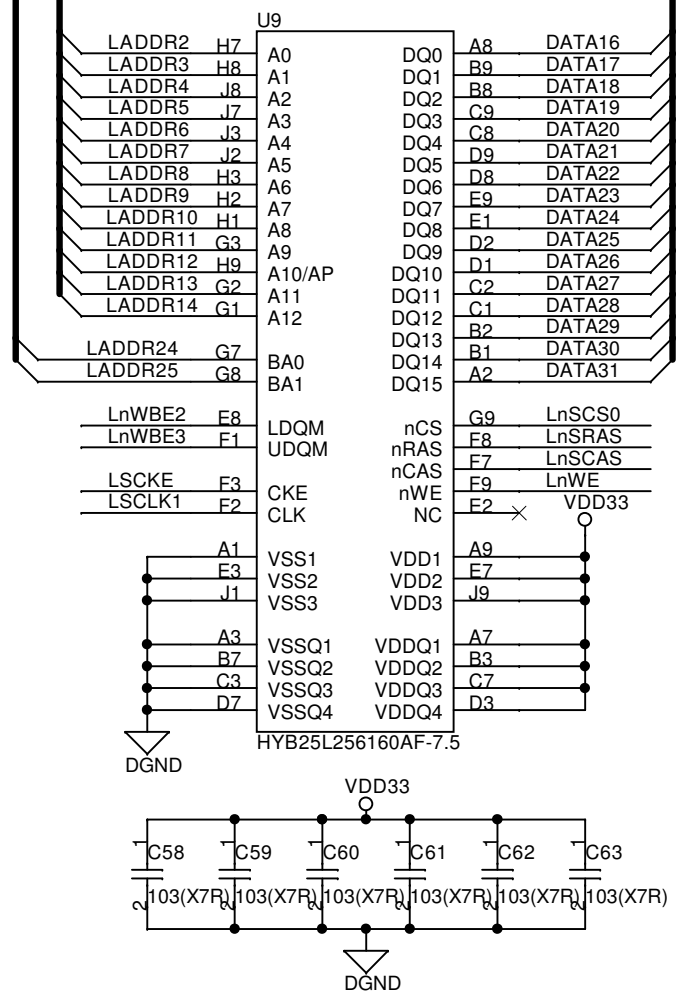
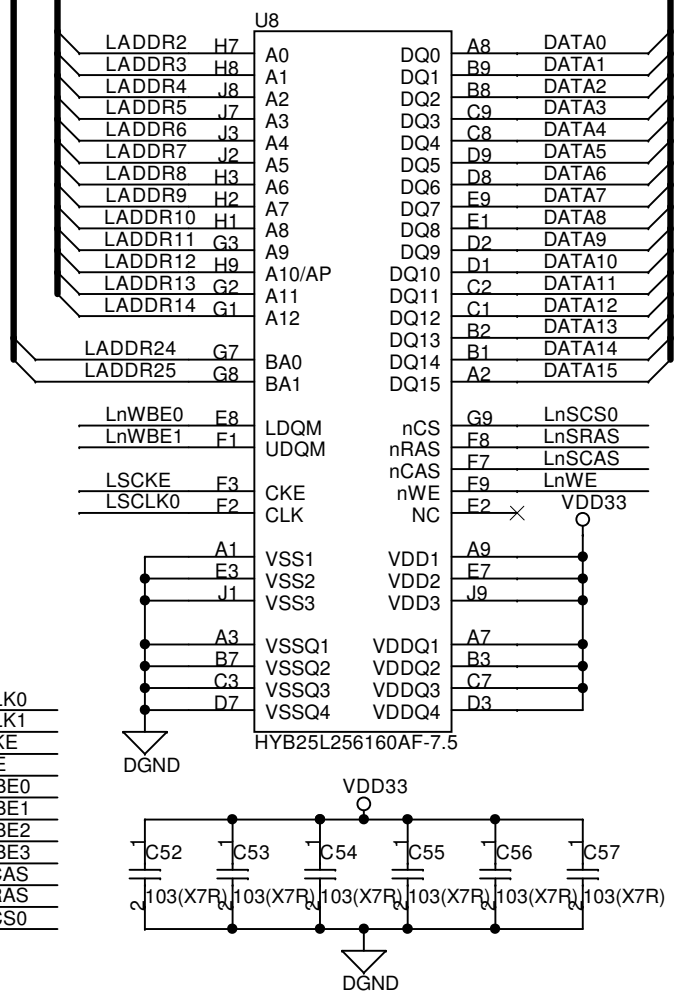
OK



台語今網瑕數咀儂撮拎衄變鼠伺 Title <Title> GPS_MODEL_12_V1 (TOPSUN)		
Size B	Document Number <Doc>	Rev A01
Date: Tuesday, September 19, 2006	Sheet 3	of 15

OK

2,6 DATA[31:0] <<<  
 2 LADDR[14:2] >>>  
 2 LADDR[24:25] >>>

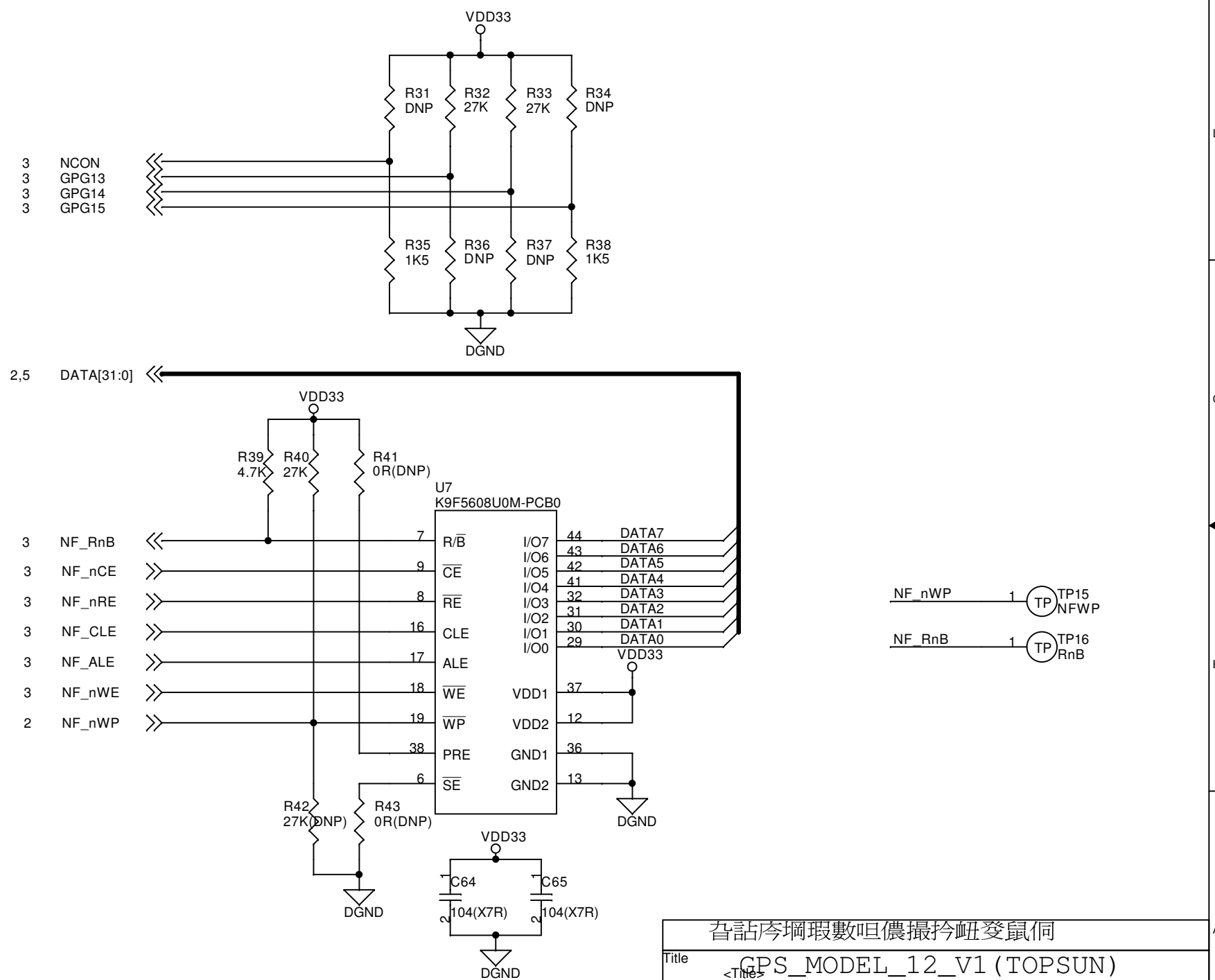


- 3 LSCLK0
- 3 LSCLK1
- 3 LSCKE
- 2 LnWE
- 3 LnWBE0
- 3 LnWBE1
- 3 LnWBE2
- 3 LnWBE3
- 3 LnSCAS
- 3 LnSRAS
- 3 LnSCS0

- LSCLK0
- LSCLK1
- LSCKE
- LnWE
- LnWBE0
- LnWBE1
- LnWBE2
- LnWBE3
- LnSCAS
- LnSRAS
- LnSCS0

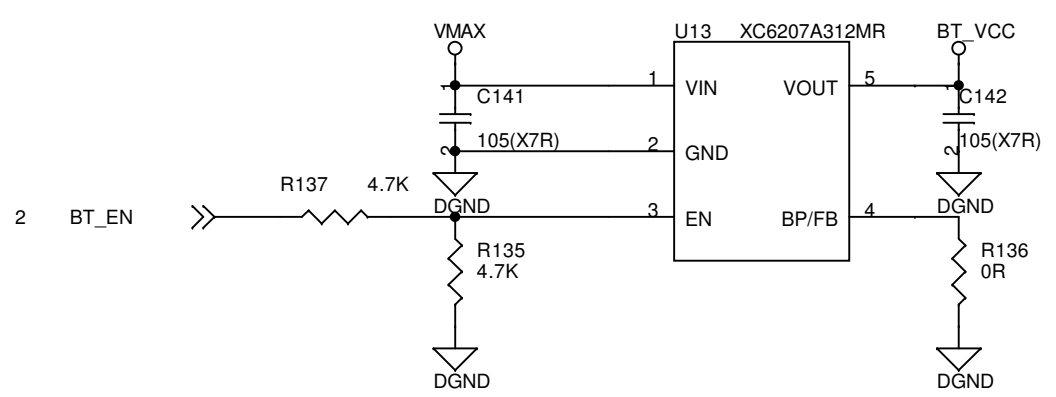
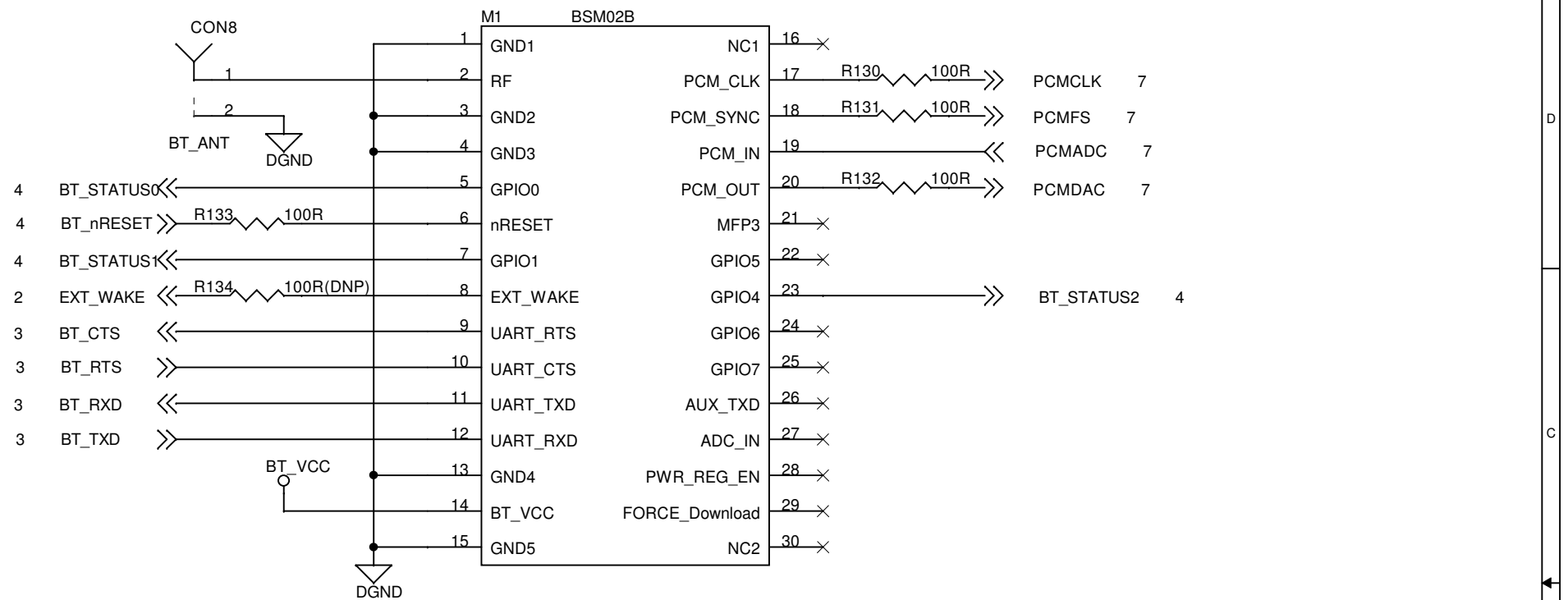
台語夸塌瑕數胆儂撮扮衄發鼠伺		
Title <Title> GPS_MODEL_12_V1 (TOPSUN)		
Size A	Document Number <Doc>	Rev A01
Date: Tuesday, September 19, 2006	Sheet 5 of 15	

OK



GPS_MODEL_12_V1 (TOPSUN)		
Title		
<Title>		
Size	Document Number	Rev
A	<Doc>	A01
Date:	Tuesday, September 19, 2006	Sheet 6 of 15

# OK



Title		
<Title>		
Size	Document Number	Rev
A	<Doc>	<RevCode>
Date:	Tuesday, September 19, 2006	Sheet 15 of 15