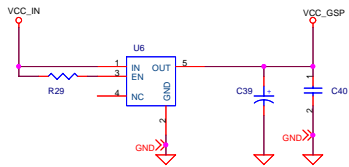
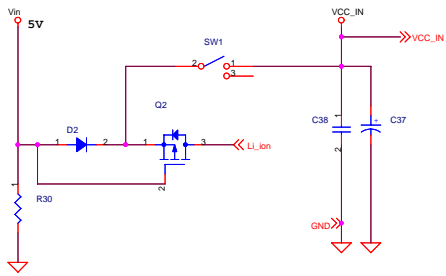
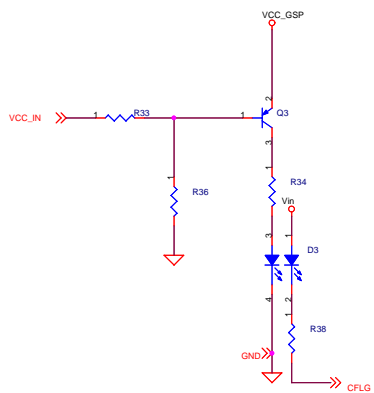


Confidential

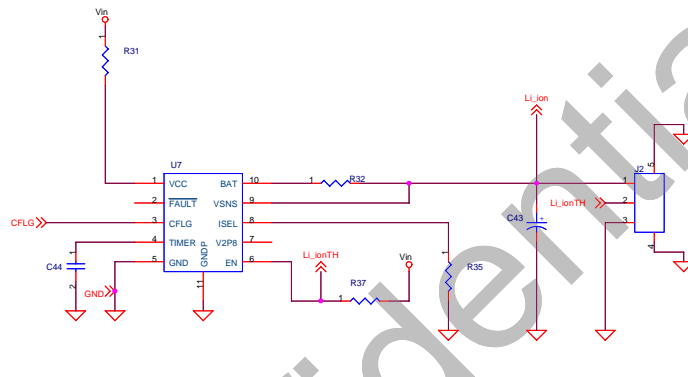
HOLUX Technology, Inc.		
Title	GPSlim240 Bluetooth GPS Receiver	
Size	Document Number	Rev
B	GPSlim240 Bluetooth REV:A	A
Date:	Thursday, June 22, 2006	Sheet 4 of 4



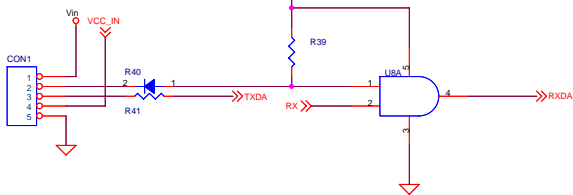
Li_ion Low Led On



CHARGE CIRCUIT

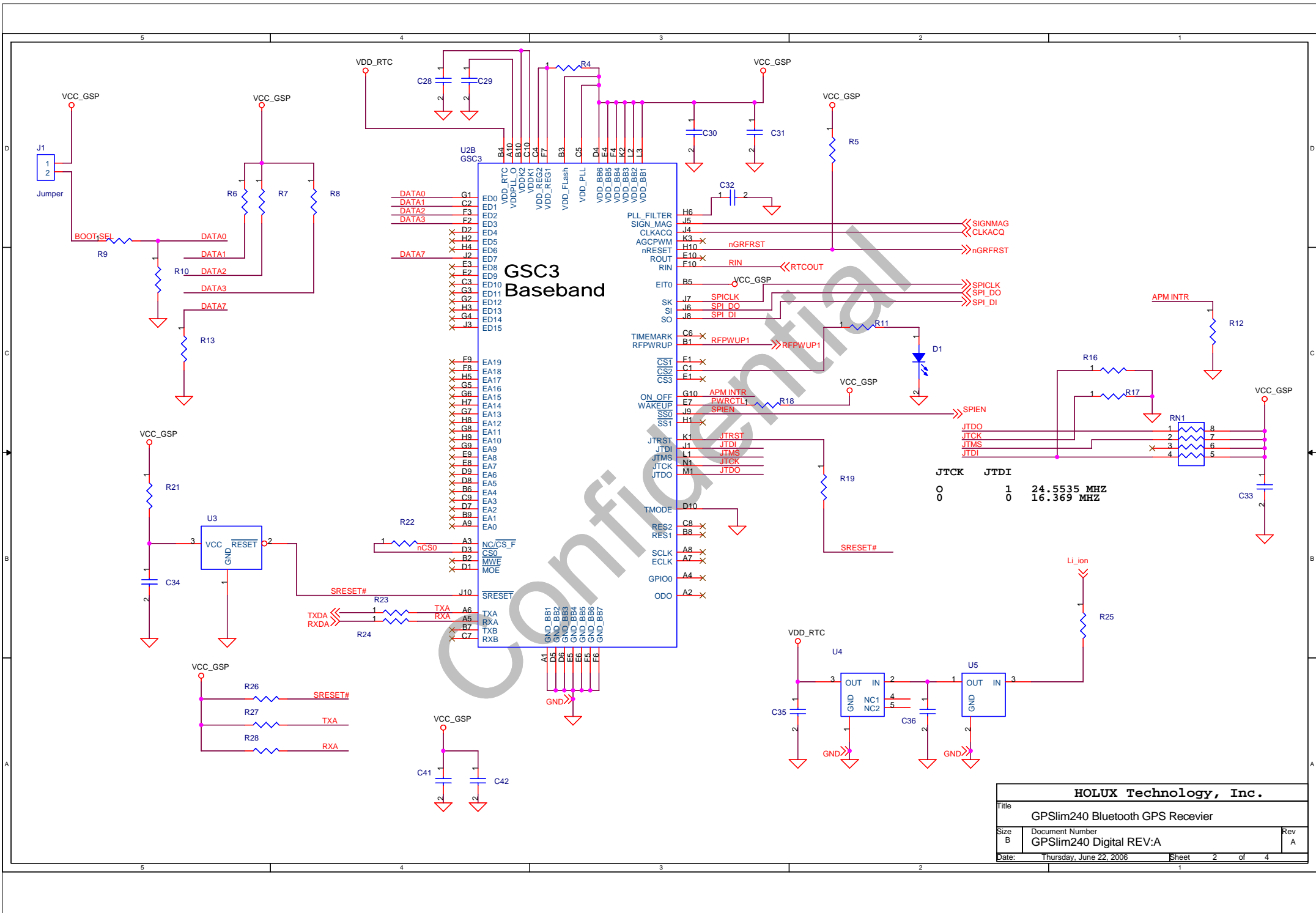


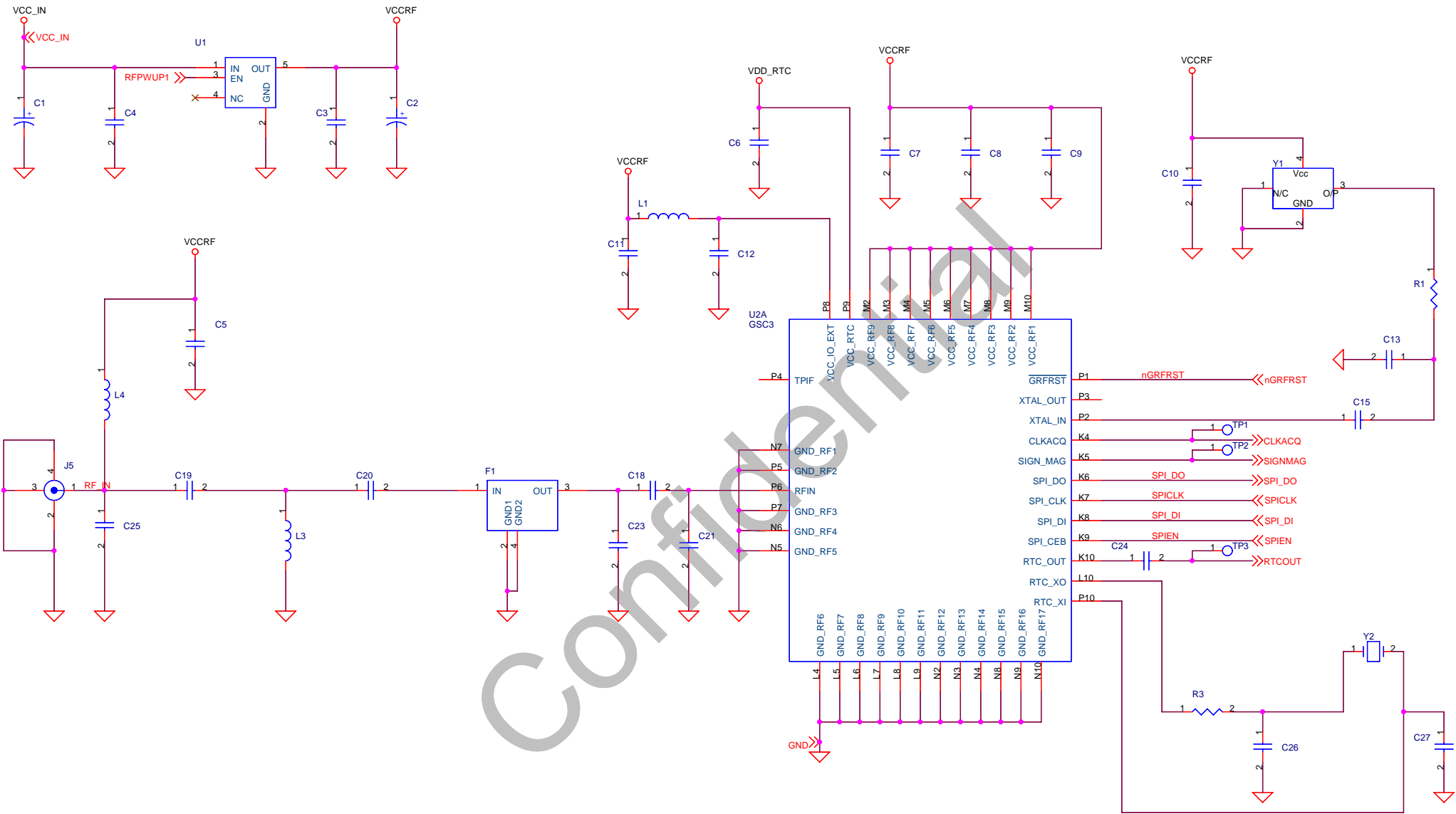
Dual UART function



HOLUX Technology, Inc.

File	GPSlim240 Bluetooth GPS Receiver	
Size	Document Number	Rev
C	GPSlim240 Charger REV.A	A
Date	Thursday, June 22, 2006	Sheet 3 of 4





HOLUX Technology, Inc.		
Title		
GPSSlim240 Bluetooth GPS Receiver		
Size	Document Number	Rev
B	GPSSlim240 RF REV:A	A
Date:	Wednesday, June 21, 2006	Sheet 1 of 4