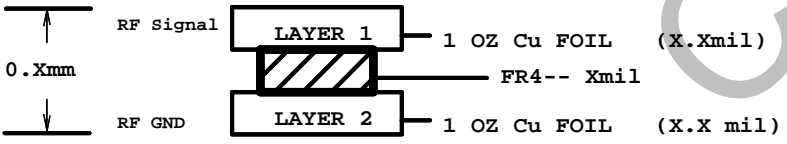
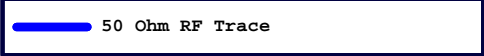


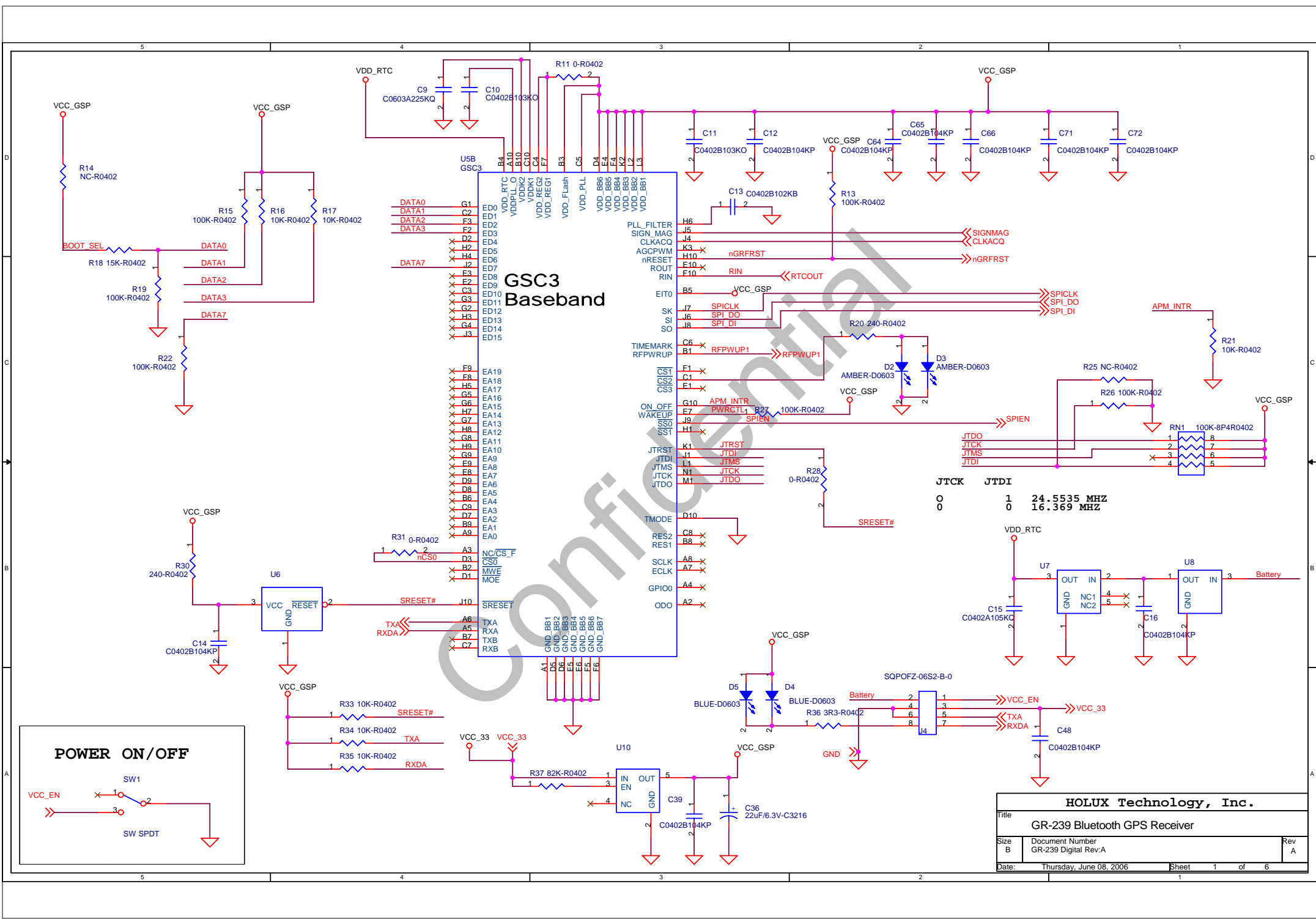
**PCB Stack-up**



Note: the pcb material :FR-4 Er= 4.3  
 The width of 50ohm is 30 mil(Microstrip)

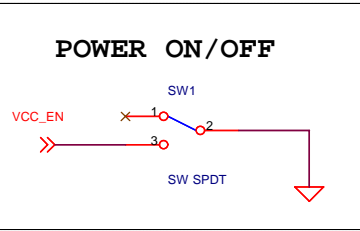


<b>HOLUX Technology, Inc.</b>		
Title GR-239 Bluetooth GPS Receiver		
Size B	Document Number GR-239ANT VER:A	Rev A
Date: Monday, April 10, 2006	Sheet 3	of 6

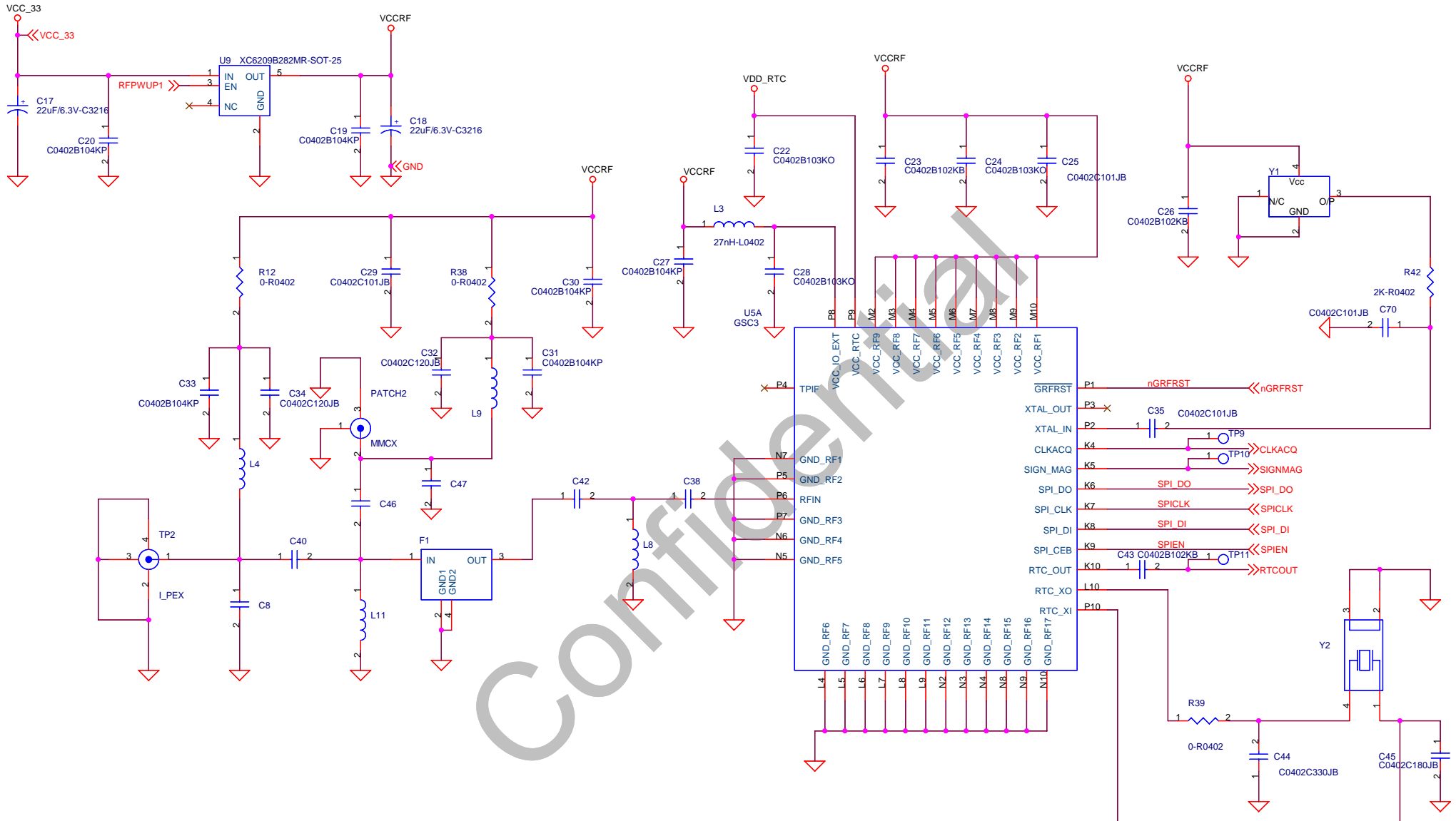


**GSC3 Baseband**

JTCK	JTDI	Frequency
0	1	24.5535 MHZ
0	0	16.369 MHZ

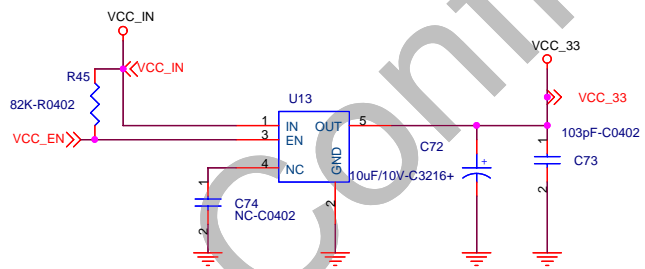
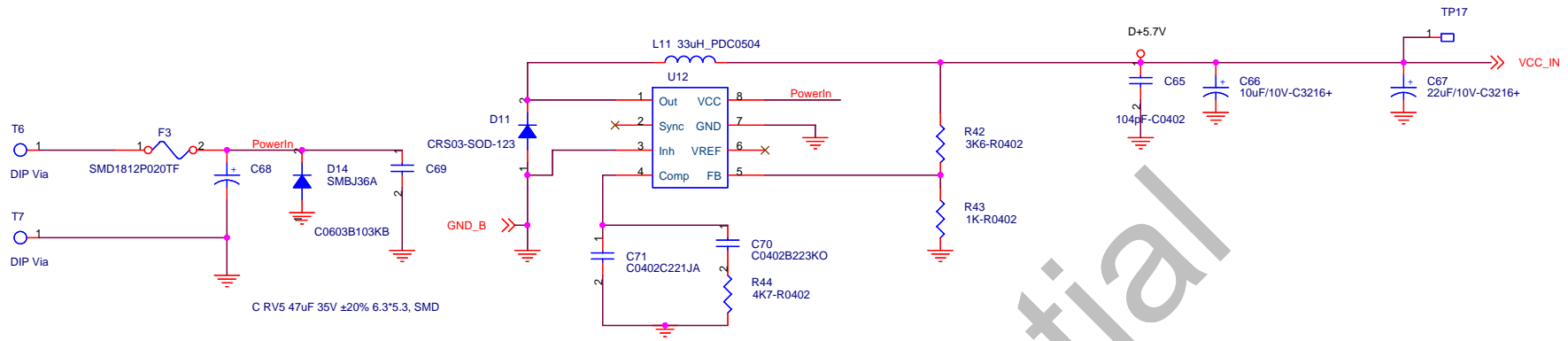


<b>HOLUX Technology, Inc.</b>		
Title	GR-239 Bluetooth GPS Receiver	
Size B	Document Number	Rev A
	GR-239 Digital Rev.A	
Date:	Thursday, June 08, 2006	Sheet 1 of 6



<b>HOLUX Technology, Inc.</b>		
Title		
GR-239 Bluetooth GPS Receiver		
Size	Document Number	Rev
B	GR-239 RF Ver:A	A
Date:	Thursday, June 08, 2006	Sheet 2 of 6





HOLUX Technology, Inc.

Title		
GR-239 BlueTooth GPS Receiver		
Size	Document Number	Rev
B	GR-239 POWER_B_TYPE(POWER) REV:A	A
Date:	Thursday, May 11, 2006	Sheet 2 of 3