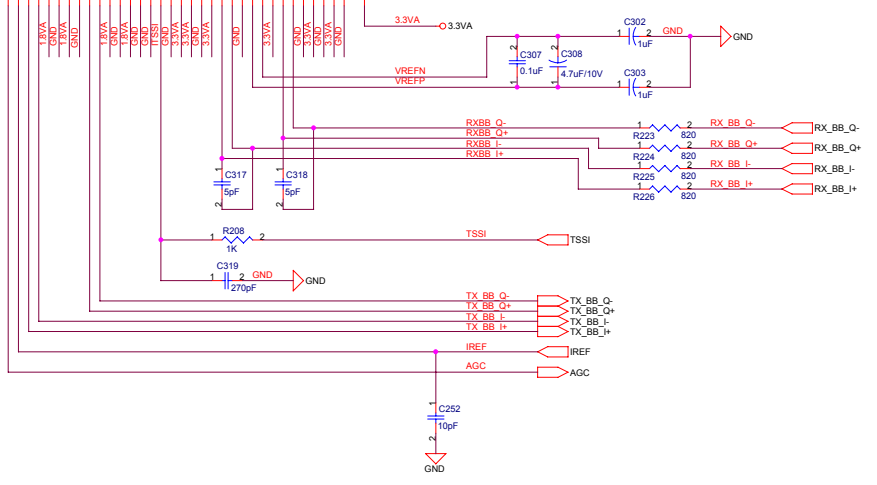
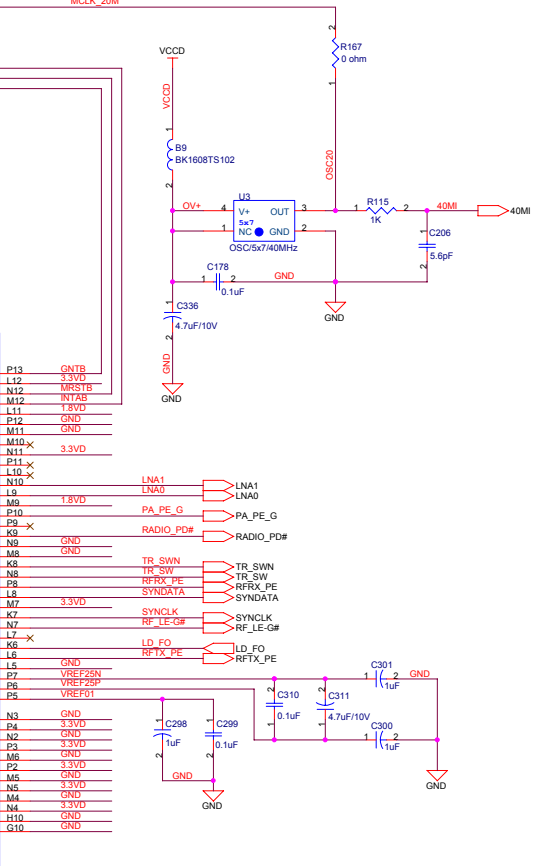
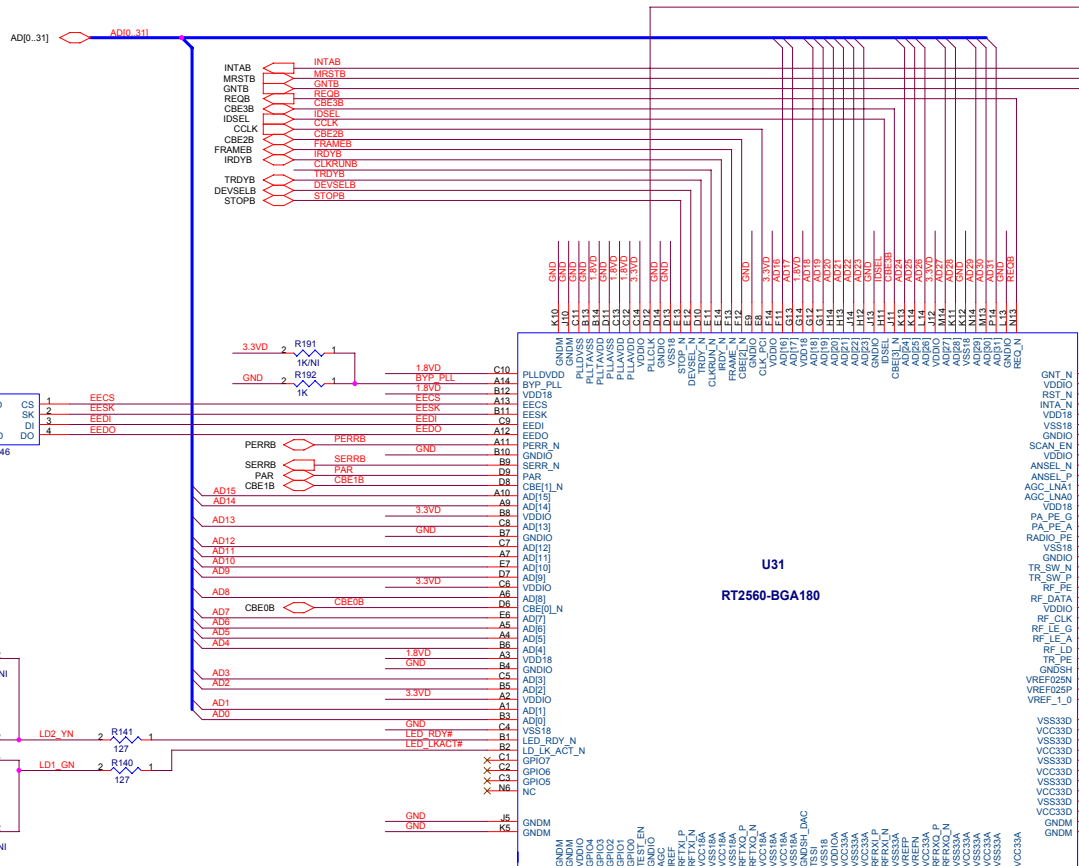
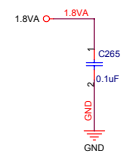
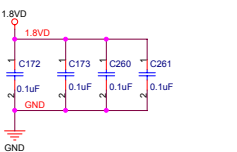
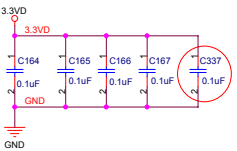
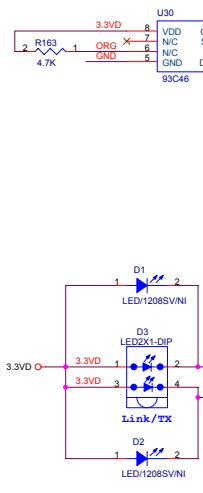
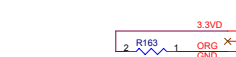
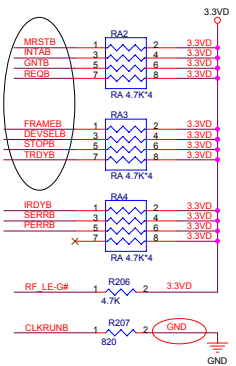
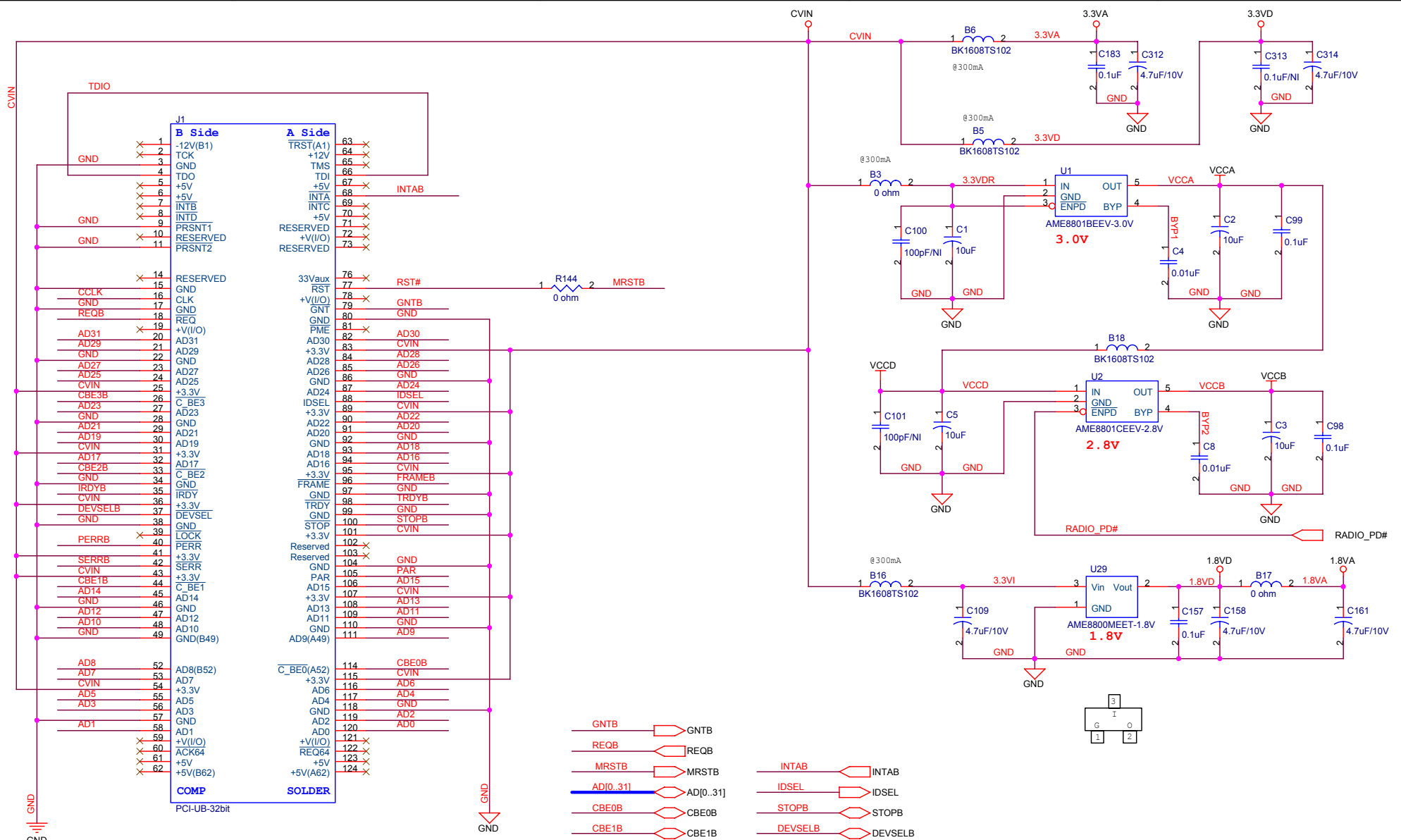


R210	R211	Note
150-ohm	100-ohm	Use 74LVC1G08
240-ohm	180-ohm	Use BSS84

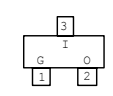


CODE	DWG TITLE	WLAN MAC+BBP - RT2560
SIZE A-4	DWG NO	Ralink P.C.I.G only
SCALE NA	SHEET	4 of 5
ENGR Jason		
DATE		





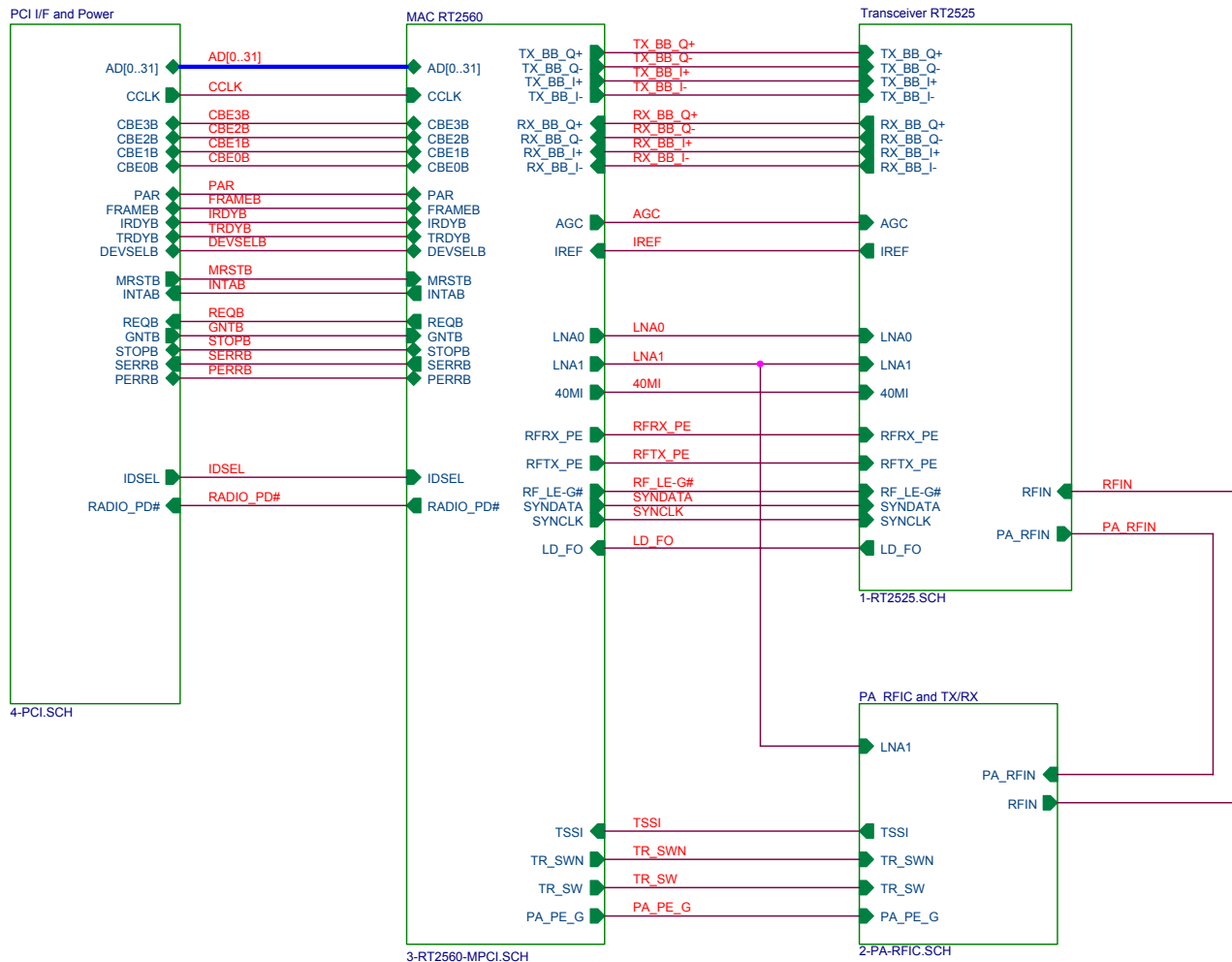
- GNTB
- REQB
- MRSTB
- AD[0..31]
- CBE0B
- CBE1B
- CBE2B
- CBE3B
- PAR
- TRDYB
- IRDYB
- INTAB
- IDSEL
- STOPB
- DEVSELB
- PERRB
- FRAMEB
- SERRB
- CCLK



CODE	DWG TITLE	PCI Interface and Power		
SIZE A 4	DWG NO	Ralink PCI G only		REV
SCALE	NA	SHEET	5 of 5	3.0
ENGR	Jason			
APVD				
DATE				

ZINWELL

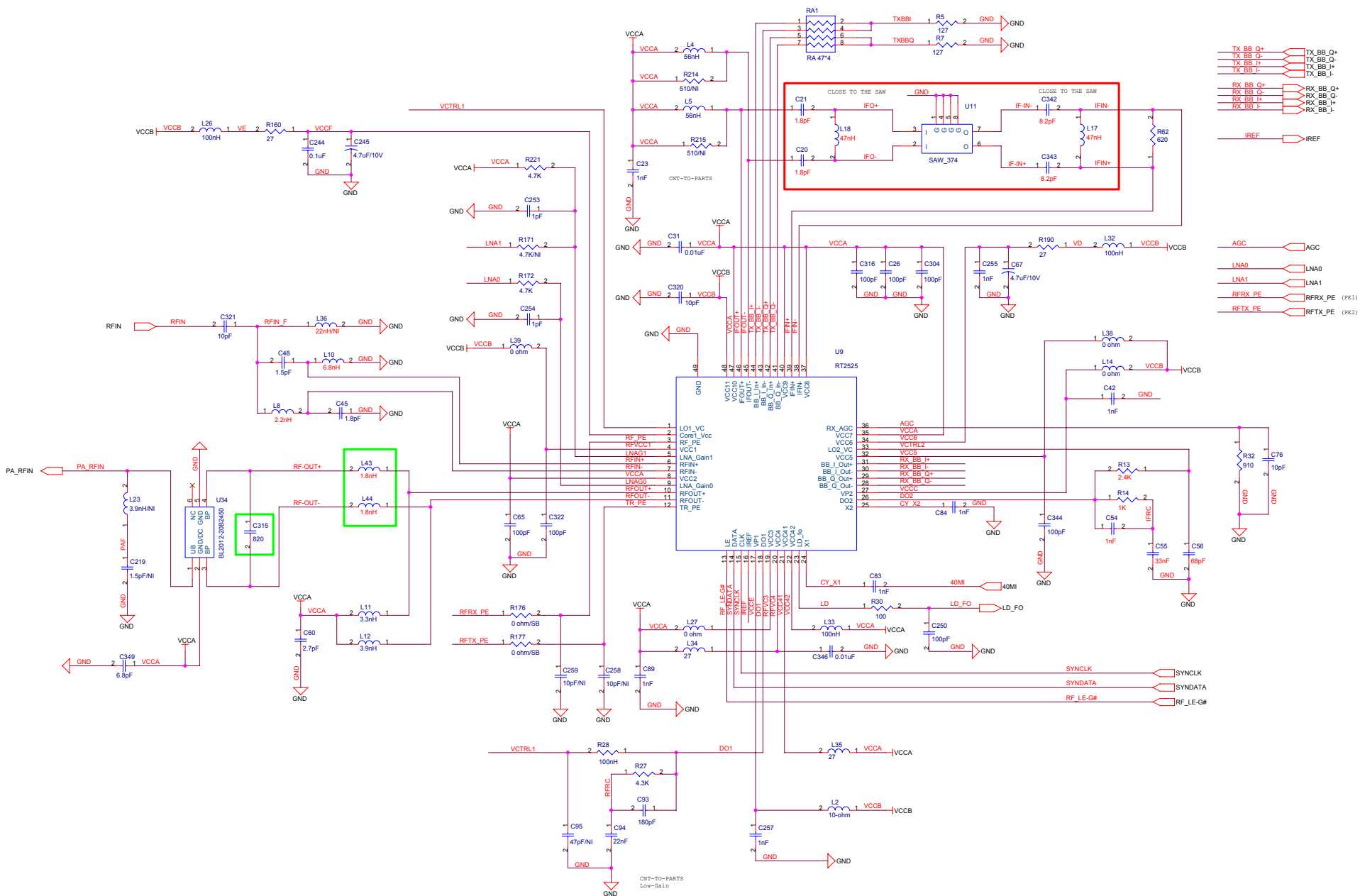
ZWX-G361 PCI Block Diagram



CODE	DWG TITLE	ZWX-G361		
SIZE A 4	DWG NO	Ralink PCI G only		REV
SCALE	NA	SHEET	1 of 5	3.0
ENGR	Jason			
APVD				
DATE				

ZINWELL

U11 (SAW Filter)	C21, C21	C342, C343	L18
TFS374A (Telefilter)	1.8pF	8.2pF	47nH
TB0152A (TAI-SAW)	1.5pF	5.6pF	33nH



CODE	DWG TITLE	2.4GHz Transceiver - RT2525	
SIZE A4	DWG NO	Ralink PCL G only	
SCALE	NA	SHEET	2 of 5
ENGR	Jason		
DATE			

ZINWELL