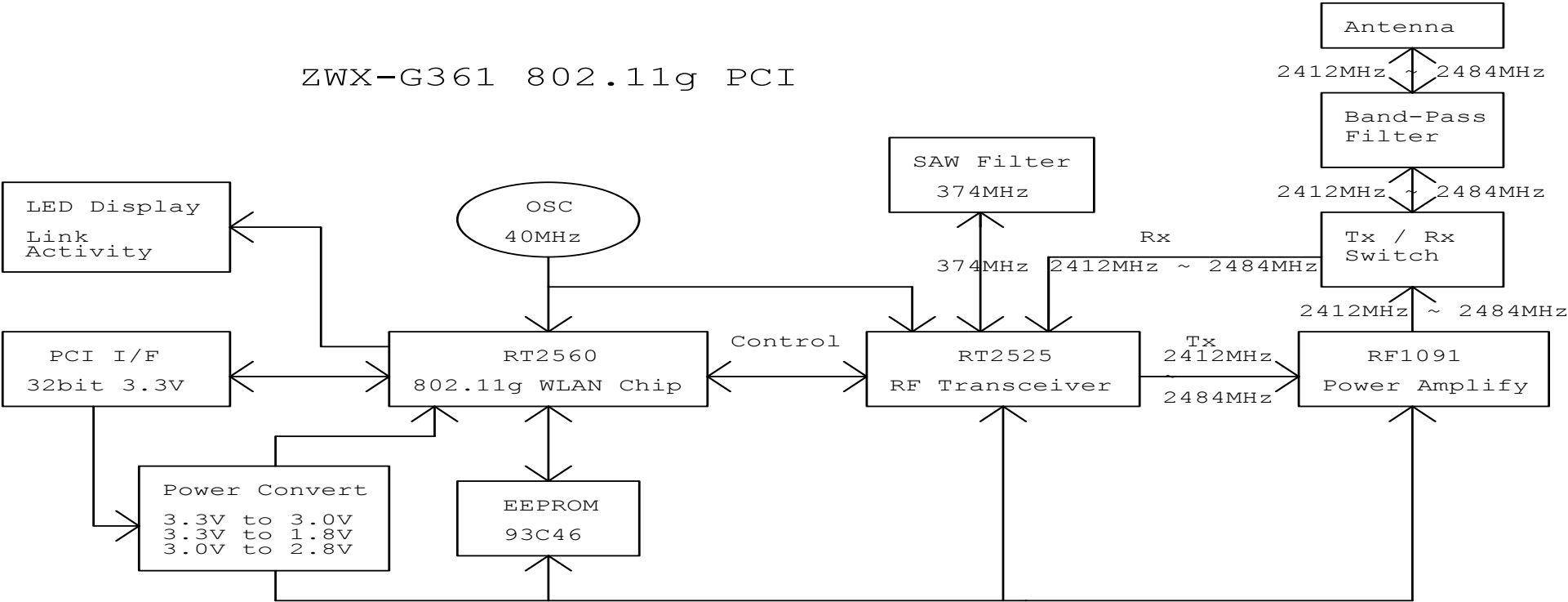


Block Diagram

REVISION				
ZONE	REV	DESCRIPTION	DATE	APPROVED
	01	-	Aug. 2, 04	

ZWX-G361 802.11g PCI



Channel Number	1	2	3	4	5	6	7	8	9	10	11	12	13	14
Channel Frequency (MHz)	2412	2417	2422	2427	2432	2437	2442	2447	2452	2457	2462	2467	2472	2484

	PROJECT NO.	ZWX-G361	DWG TITLE			ZWX-G361 802.11g PCI
	DRAWN	Tawei Tai	DWG NO.			
	ENGR	Tawei Tai	REV	SHEET <u>1</u> OF <u>1</u>		
USED ON	APVD By		01			