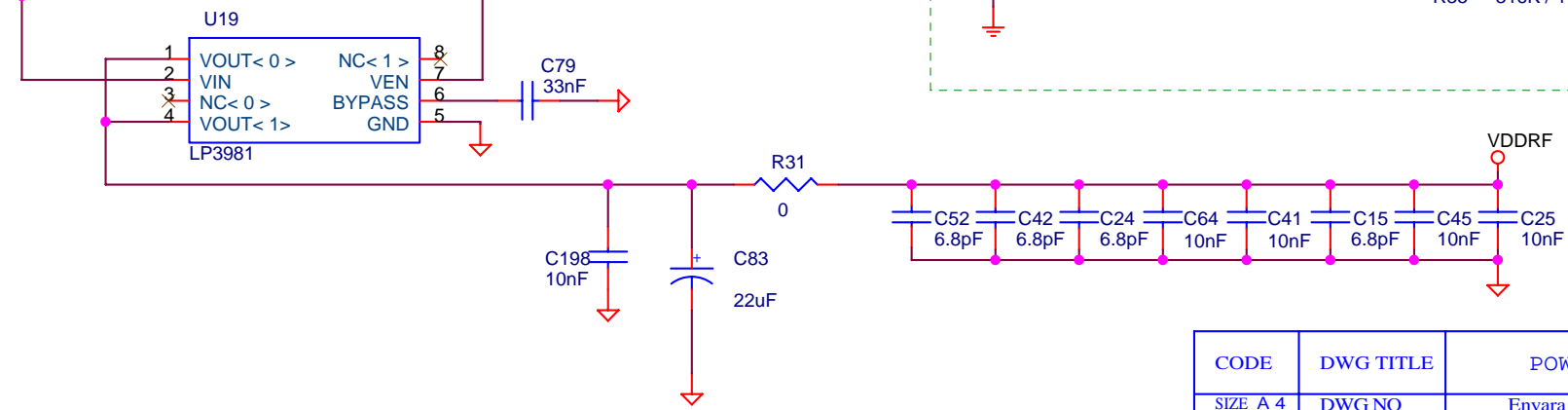
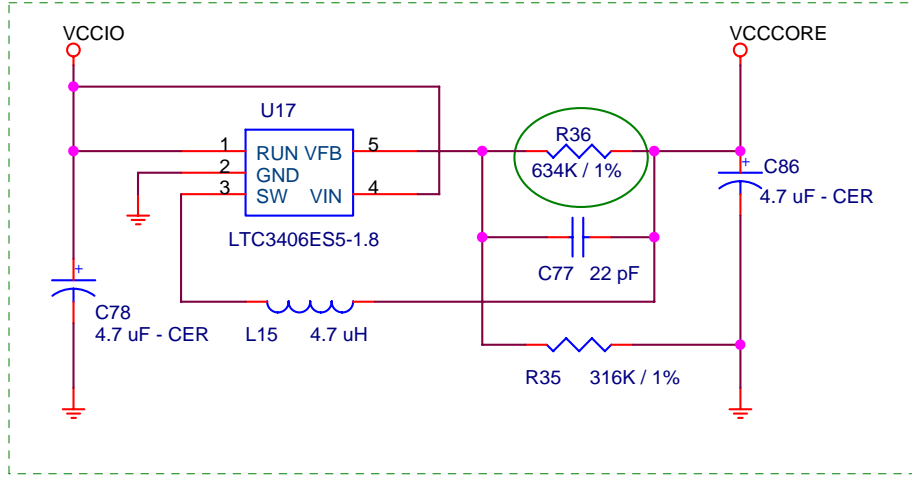
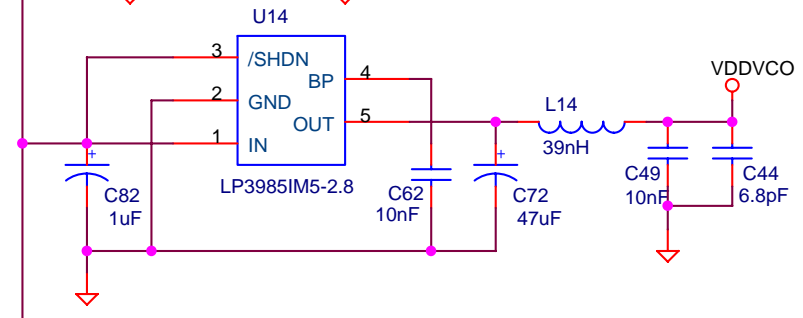
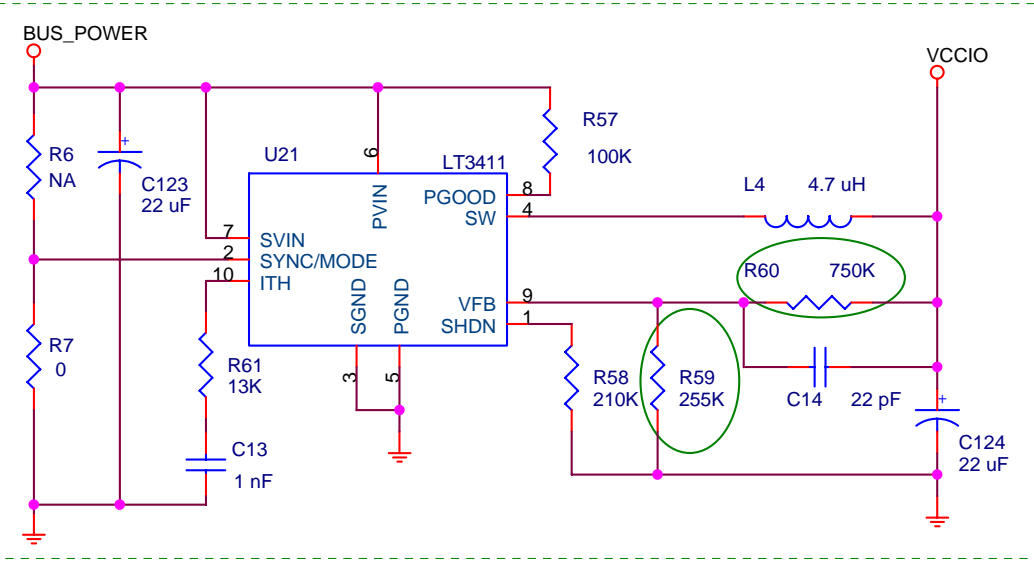
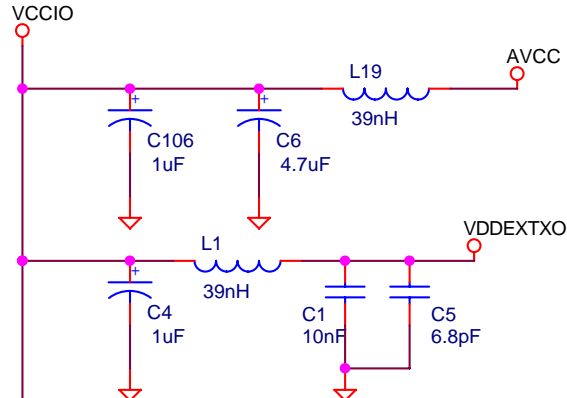
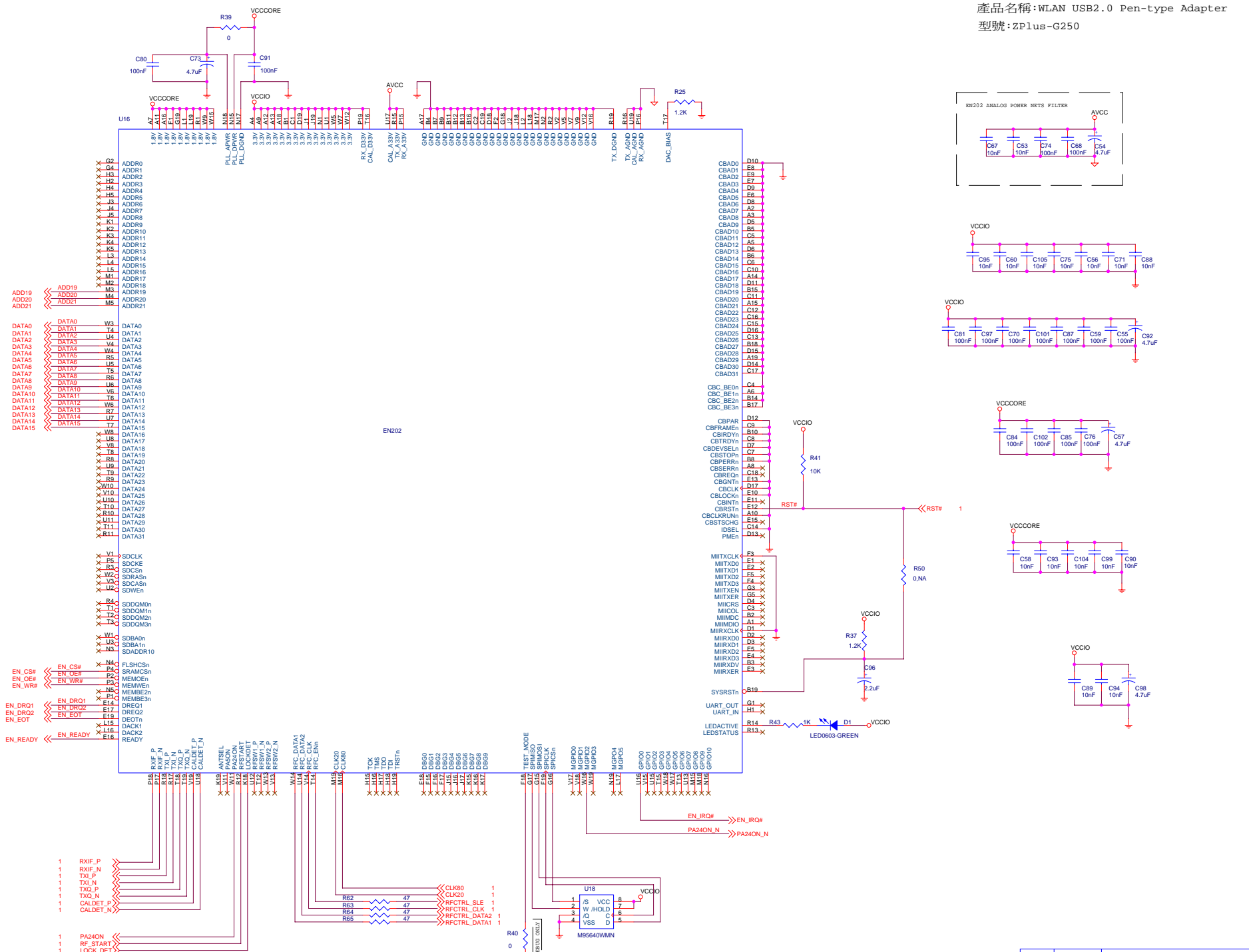


產品名稱: WLAN USB2.0 Pen-type Adapter

型號: ZPlus-G250



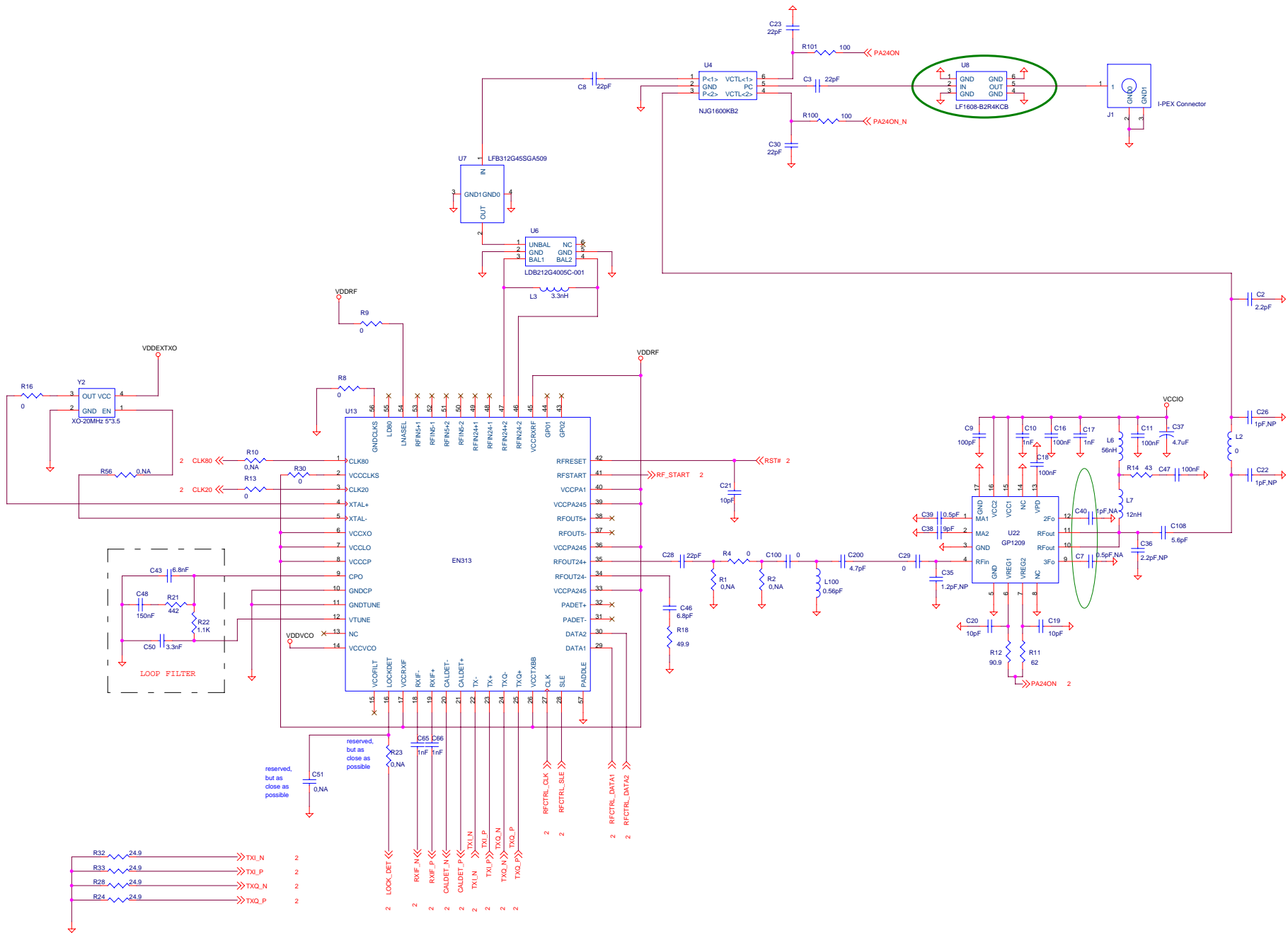
CODE		DWG TITLE		POWER SUPPLY SECTION	
SIZE	A 4	DWG NO	Envara USB_G only		REV
SCALE	NA	SHEET	3 of 4		1.0
ENGR	Tawei Tai			<b>ZINWELL</b>	
APVD					
DATE					



They are optional switching output to control various type of RF switches.  
 With a 5V switch that performs also TX RX switching and Antenna diversity switching we use only the LNASEL, and LNASEL\_N. (This is done in MiniPci)

CODE	DWG TITLE	MAC ( EN202 )
SIZE A-4	DWG NO	Enava USB_G_only
SCALE	NA	SHEET 2 of 4
ENGR	Tawei Tai	REV 1.0
APPR		
DATE		

**ZINWELL**

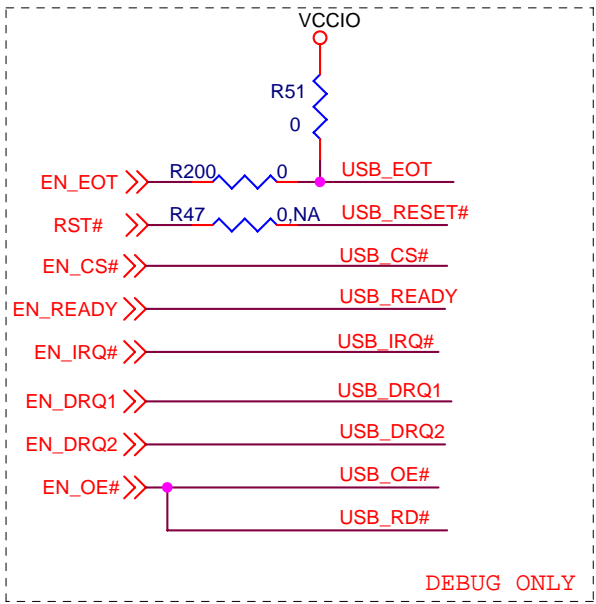
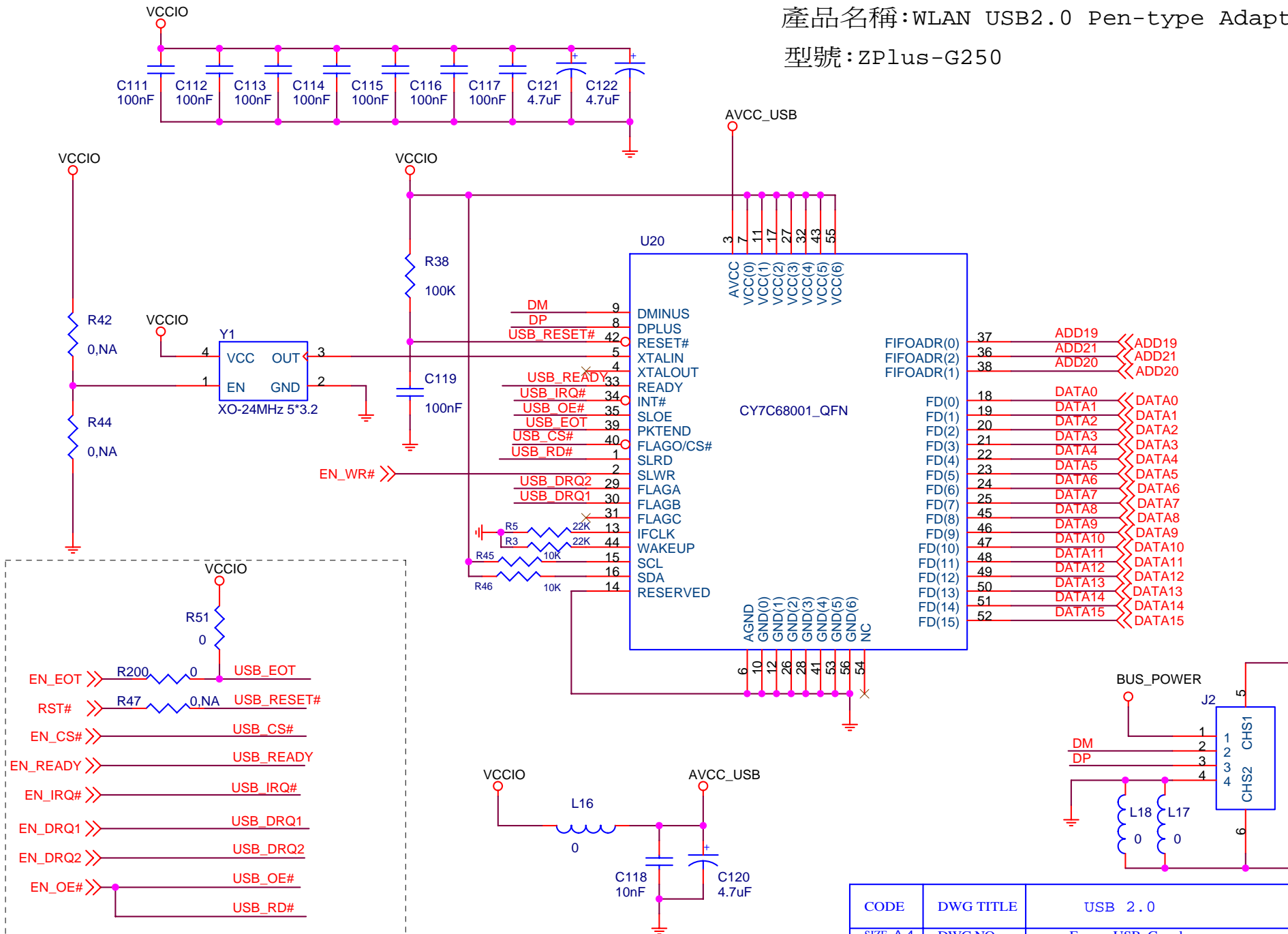


CODE	DWG TITLE	RF site ( EN303 )
SIZE A.4	DWG NO	Evans USB_G_only
SCALE NA	SHEET	1 of 4
ENGR Tawei Tai		
DATE		

**ZINWELL**

產品名稱: WLAN USB2.0 Pen-type Adapter

型號: ZPlus-G250



CODE	DWG TITLE	USB 2.0	
SIZE A 4	DWG NO	Envara USB_G only	
SCALE	NA	SHEET	4 of 4
ENGR	Tawei Tai		
APVD			
DATE			

**ZINWELL**

REV 1.0