

# 承認書

## APPROVAL SHEET

客戶名稱 Customers	兆赫電子股份有限公司		
產品描述 Product	2.4/5GHz 3/2 dBi Dipole Antenna		
產品料號 Model Number	98144URSX001-100		
日期 Issue Date	2008/3/26	版序 REV.	V1.0

客戶承認用印 Customer Approved	權懿承認用印 Confirmation Signature	
		
核准 Approve	主管 Chief	承辦 Responsible

**權懿** 精密工業有限公司

Chuan-Yi Precision Industry Co., Ltd.

中壢：桃園縣中壢市南園二路1巷20號2樓

電話：03-451-9540

FAX：03-451-9542

東莞廠：廣東省東莞市常平鎮木埒工業區

蘇州廠：江蘇省蘇州市角直鎮吳淞南路95號

Antenna Total Solution Provider

# Index.

Item

---

---

**1. Drawing**

- Assembly

---

**2. Test Report**

-Electrical test  
-Pattern test

---

**3. Specification**

-Reverse SMA Plug

---

**4. Packing**

- 泡殼  
- 紙箱

---

---

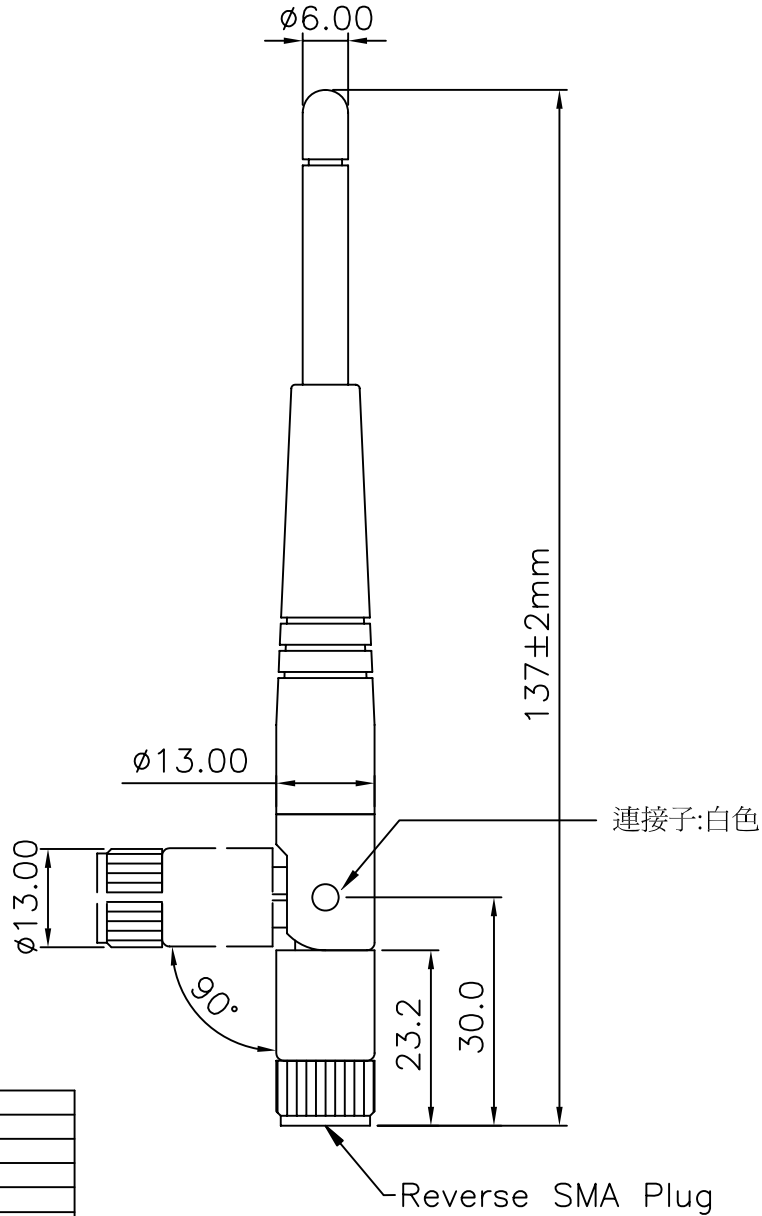
**Modification History:**

<u>REV</u>	<u>DATE</u>	<u>CONTENT</u>
V1.0	2008/3/26	

4	3	2	1
REV	ZONE	DESCRIPTION	ENG
APPROVED	DATE		

NOTE:

包裝方式:每50PCS裝一PE袋,單PCS不另外包裝  
 裝箱方式:每層100PCS以紙板隔開



Electrical Properties	
Frequency Range	2.4/5 GHz
Impedance	50Ω
V.S.W.R.	≤2.0
Radiation	Omni
Gain	3/2dBi
Polarization	Vertical
Mechanical Properties	
Whip	TPE
Connector	Brass
Weight	—
Operating Temp	-20°C ~ +65°C

UNLESS OTHERWISE SPECIFIED TOLERANCES ON: X ± 1 X.X ± 0.5 X.XX ± 0.25 ANG. ± 2.0°	DATE: 2008/03/20	MAT'L: 木才質	Chuan Yi Precision Industry CO., LTD
	UNIT: mm	FINISH: 表面處理	
THIRD ANGLE PROJECTION	SCALE: 1/1	TITLE : 2.4/5GHZ 3/2DBI DIPOLE ANTENNA	
APPROVED BY:	CHECKED BY:	DESIGNED BY:	DRAWN BY: NEIL
MODEL NO. : 98144URSX001-100			REV A
PART NO. : ANT-007			

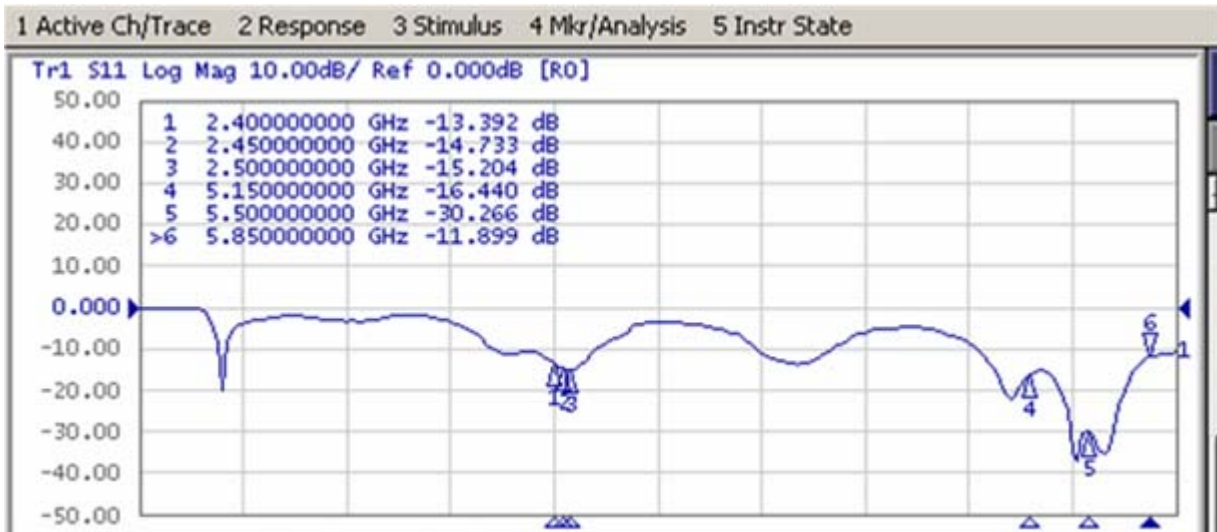
THIS DRAWING CONTAINS INFORMATION THAT IS PROPRIETARY TO CHUAN YI AND SHOULD NOT BE USED WITHOUT WRITTEN PERMISSION.

# 電氣測試

## S.W.R Testing Result

Return Loss Data

2008/3/26



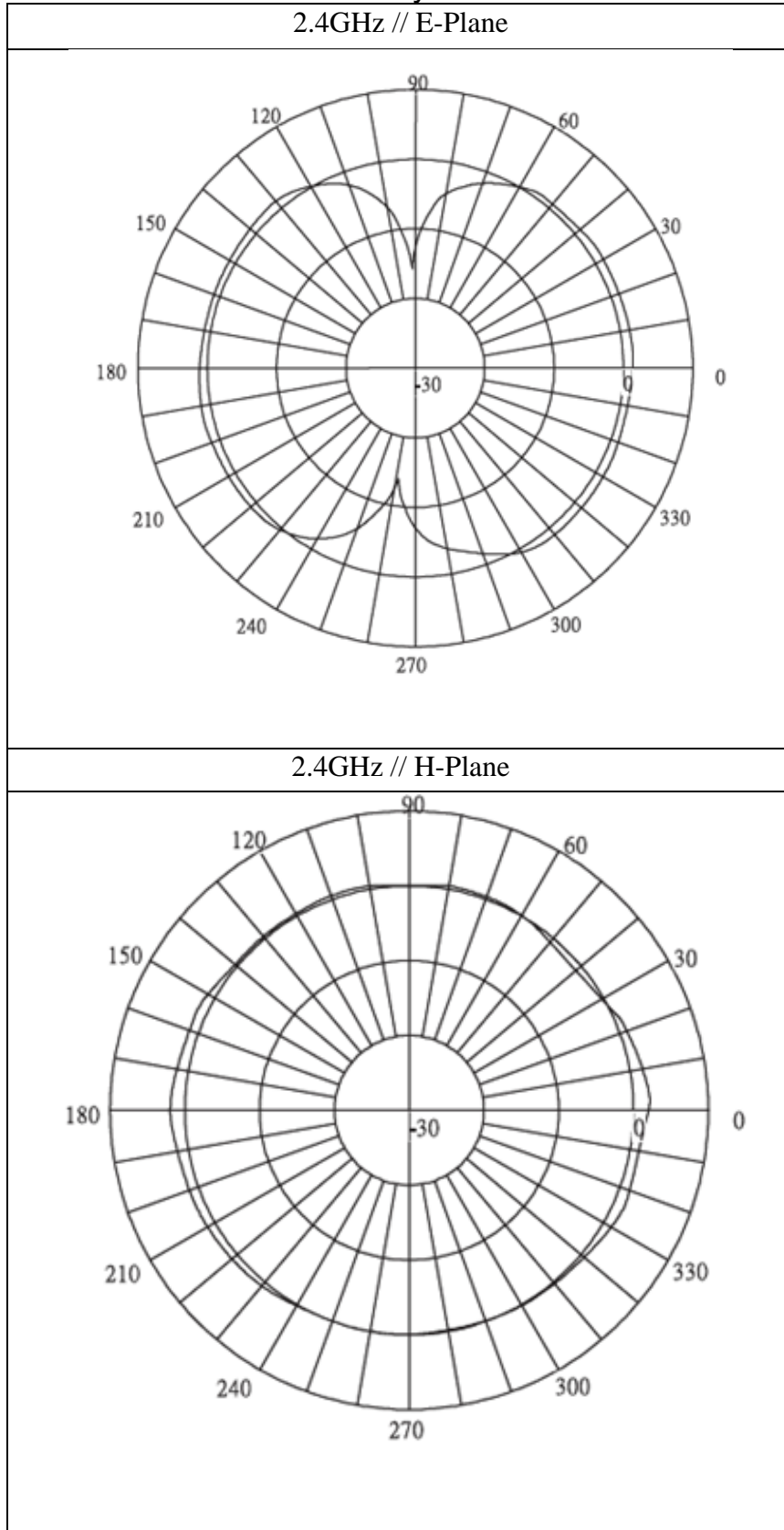
V.S.W.R Data

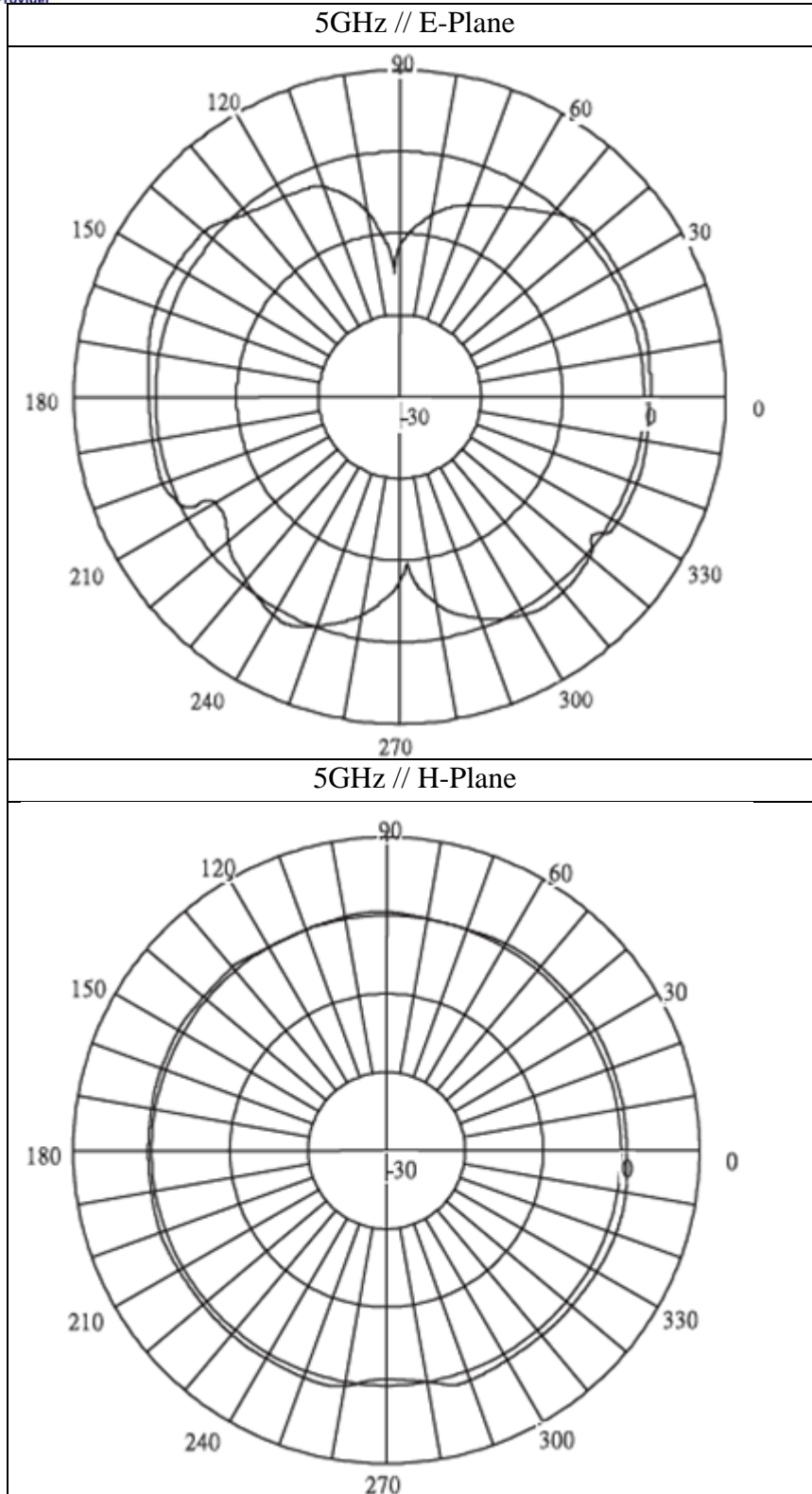
2008/3/26



# 場形分析

## Pattern Analysis Result





## Connector

## Reverse SMA Plug

### Specification

Electrical Properties	Impedance	50 ohm	
	Frequency Range	0~6GHZ	
	V.S.W.R	1.5(Max.)	
	Working Voltage	≤250Vrms	
	Dielectric Withstanding	≤670 Vrms	
	Voltage Insulation Resistance	≥2000 Megohms	
	Contact Resistance	Center contact:3.0 Milliohms(Max.) Outer contact:2.0 Milliohms(Max.)	
	Insertion Loss(2.4GHZ)	0.3dB	
Mechanical Properties	Recommended coupling nuttorque	4.0 in. lbs. ~8.8in. lbs.	
	Coupling nut retention force	≥50 lbs.	
	Contact captivation axial	≥5 lbs.	
Environmental Ratings	Operating Temperature	-65°C ~+165°C	
	Thermal shock	MIL-STD-202,METHOD 107,Condition B	
	Corrosion	MIL-STD-202,METHOD 101,Condition B	
	Shock	MIL-STD-202,METHOD 213,Condition I	
	Vibration	MIL-STD-202,METHOD 204,Condition D	
	Moisture Resistance	MIL-STD-202,METHOD 106	
Material Specifications	Material Data	Material	Plating
	Body	Brass	Ni
	Center Contact	Phosphor Bronze	Gold
	Insulator	Teflon or Delrin	