



LE866 Hardware Design Guide

1VV0301355 Rev. 3 – 2017-09-07

TELIT
TECHNICAL
DOCUMENTATION

SPECIFICATIONS ARE SUBJECT TO CHANGE WITHOUT NOTICE

NOTICE

While reasonable efforts have been made to assure the accuracy of this document, Telit assumes no liability resulting from any inaccuracies or omissions in this document, or from use of the information obtained herein. The information in this document has been carefully checked and is believed to be reliable. However, no responsibility is assumed for inaccuracies or omissions. Telit reserves the right to make changes to any products described herein and reserves the right to revise this document and to make changes from time to time in content hereof with no obligation to notify any person of revisions or changes. Telit does not assume any liability arising out of the application or use of any product, software, or circuit described herein; neither does it convey license under its patent rights or the rights of others.

It is possible that this publication may contain references to, or information about Telit products (machines and programs), programming, or services that are not announced in your country. Such references or information must not be construed to mean that Telit intends to announce such Telit products, programming, or services in your country.

COPYRIGHTS

This instruction manual and the Telit products described in this instruction manual may be, include or describe copyrighted Telit material, such as computer programs stored in semiconductor memories or other media. Laws in the Italy and other countries preserve for Telit and its licensors certain exclusive rights for copyrighted material, including the exclusive right to copy, reproduce in any form, distribute and make derivative works of the copyrighted material. Accordingly, any copyrighted material of Telit and its licensors contained herein or in the Telit products described in this instruction manual may not be copied, reproduced, distributed, merged or modified in any manner without the express written permission of Telit. Furthermore, the purchase of Telit products shall not be deemed to grant either directly or by implication, estoppel, or otherwise, any license under the copyrights, patents or patent applications of Telit, as arises by operation of law in the sale of a product.

COMPUTER SOFTWARE COPYRIGHTS

The Telit and 3rd Party supplied Software (SW) products described in this instruction manual may include copyrighted Telit and other 3rd Party supplied computer programs stored in semiconductor memories or other media. Laws in the Italy and other countries preserve for Telit and other 3rd Party supplied SW certain exclusive rights for copyrighted computer programs, including the exclusive right to copy or reproduce in any form the copyrighted computer program. Accordingly, any copyrighted Telit or other 3rd Party supplied SW computer programs contained in the Telit products described in this instruction manual may not be copied (reverse engineered) or reproduced in any manner without the express written permission of Telit or the 3rd Party SW supplier. Furthermore, the purchase of Telit products shall not be deemed to grant either directly or by implication, estoppel, or otherwise, any license under the copyrights, patents or patent applications of Telit or other 3rd Party supplied SW, except for the normal non-exclusive, royalty free license to use that arises by operation of law in the sale of a product.

USAGE AND DISCLOSURE RESTRICTIONS

I. License Agreements

The software described in this document is the property of Telit and its licensors. It is furnished by express license agreement only and may be used only in accordance with the terms of such an agreement.

II. Copyrighted Materials

Software and documentation are copyrighted materials. Making unauthorized copies is prohibited by law. No part of the software or documentation may be reproduced, transmitted, transcribed, stored in a retrieval system, or translated into any language or computer language, in any form or by any means, without prior written permission of Telit

III. High Risk Materials

Components, units, or third-party products used in the product described herein are NOT fault-tolerant and are NOT designed, manufactured, or intended for use as on-line control equipment in the following hazardous environments requiring fail-safe controls: the operation of Nuclear Facilities, Aircraft Navigation or Aircraft Communication Systems, Air Traffic Control, Life Support, or Weapons Systems (High Risk Activities"). Telit and its supplier(s) specifically disclaim any expressed or implied warranty of fitness for such High Risk Activities.

IV. Trademarks

TELIT and the Stylized T Logo are registered in Trademark Office. All other product or service names are the property of their respective owners.

V. Third Party Rights

The software may include Third Party Right software. In this case you agree to comply with all terms and conditions imposed on you in respect of such separate software. In addition to Third Party Terms, the disclaimer of warranty and limitation of liability provisions in this License shall apply to the Third Party Right software.

TELIT HEREBY DISCLAIMS ANY AND ALL WARRANTIES EXPRESS OR IMPLIED FROM ANY THIRD PARTIES REGARDING ANY SEPARATE FILES, ANY THIRD PARTY MATERIALS INCLUDED IN THE SOFTWARE, ANY THIRD PARTY MATERIALS FROM WHICH THE SOFTWARE IS DERIVED (COLLECTIVELY "OTHER CODE"), AND THE USE OF ANY OR ALL THE OTHER CODE IN CONNECTION WITH THE SOFTWARE, INCLUDING (WITHOUT LIMITATION) ANY WARRANTIES OF SATISFACTORY QUALITY OR FITNESS FOR A PARTICULAR PURPOSE.

NO THIRD PARTY LICENSORS OF OTHER CODE SHALL HAVE ANY LIABILITY FOR ANY DIRECT, INDIRECT, INCIDENTAL, SPECIAL, EXEMPLARY, OR CONSEQUENTIAL DAMAGES (INCLUDING WITHOUT LIMITATION LOST PROFITS), HOWEVER CAUSED AND WHETHER MADE UNDER CONTRACT, TORT OR OTHER LEGAL THEORY, ARISING IN ANY WAY OUT OF THE USE OR DISTRIBUTION OF THE OTHER CODE OR THE EXERCISE OF ANY RIGHTS GRANTED UNDER EITHER OR BOTH THIS LICENSE AND THE LEGAL TERMS APPLICABLE TO ANY SEPARATE FILES, EVEN IF ADVISED OF THE POSSIBILITY OF SUCH DAMAGES.

APPLICABILITY TABLE

PRODUCTS

- ■ LE866-SV1
- ■ LE866A1-NA
- ■ LE866A1-KK
- ■ LE866A1-JS
- ■ LE866A1-KS

Contents

NOTICE	2
COPYRIGHTS	2
COMPUTER SOFTWARE COPYRIGHTS	2
USAGE AND DISCLOSURE RESTRICTIONS	3
I. License Agreements	3
II. Copyrighted Materials	3
III. High Risk Materials	3
IV. Trademarks	3
V. Third Party Rights	3
APPLICABILITY TABLE	4
CONTENTS	5
1. INTRODUCTION	9
1.1. Scope	9
1.2. Audience.....	9
1.3. Contact Information, Support	9
1.4. Text Conventions.....	10
1.5. Related Documents	11
2. GENERAL PRODUCT DESCRIPTION	12
2.1. Overview.....	12
2.2. Product Variants and Frequency Bands.....	12
2.3. Target market	13
2.4. Main features.....	13
2.5. TX Output Power	14
2.6. RX Sensitivity	14
2.7. Mechanical specifications	15
2.7.1. Dimensions.....	15
2.7.2. Weight	15
2.8. Temperature range	15
3. PINS ALLOCATION	16
3.1. Pin-out	16
3.2. LGA Pads Layout.....	23

4.	POWER SUPPLY	24
4.1.	Power Supply Requirements.....	24
4.2.	Power Consumption	25
4.3.	General Design Rules.....	26
4.3.1.	Electrical Design Guidelines	26
4.3.1.1.	+5V Source Power Supply Design Guidelines	26
4.3.2.	+12V Source Power Supply Design Guidelines	28
4.3.2.1.	Battery Source Power Supply Design Guidelines.....	29
4.3.3.	Thermal Design Guidelines.....	30
4.3.4.	Power Supply PCB layout Guidelines	31
4.4.	RTC Bypass out.....	33
4.5.	VAUX Power Output.....	34
4.6.	VDDIO_IN Power Input.....	35
4.7.	3GPP Power Saving Mode (PSM)	36
5.	DIGITAL SECTION	37
5.1.	Logic Levels.....	37
5.2.	Power On.....	38
5.3.	Power Off.....	40
5.4.	Unconditional Restart.....	41
5.5.	Fast System Turn Off.....	44
5.5.1.	Fast Turn Off by Hardware	44
5.5.2.	Fast Shut Down by Software.....	45
5.6.	Communication ports	46
5.6.1.	USB 2.0 HS	46
5.6.2.	Serial Ports	47
5.6.2.1.	MODEM SERIAL PORT 1 (USIF0)	47
5.6.2.2.	MODEM SERIAL PORT 2 (USIF1)	49
5.6.2.3.	RS232 LEVEL TRANSLATION.....	49
5.7.	General purpose I/O	51
5.7.1.	Using a GPIO as INPUT	52
5.7.2.	Using a GPIO as OUTPUT	53
5.7.3.	Indication of network service availability	53
5.7.4.	SIMIN Detection.....	54
5.8.	External SIM Holder.....	55
5.9.	ADC Converter	55
5.10.	DAC Converter	56
5.10.1.	Enabling DAC	56

5.10.2.	LOW Pass filter Example	57
6.	RF SECTION.....	58
6.1.	Antenna requirements.....	58
6.1.1.	Main Antenna	58
6.1.2.	PCB Design guidelines	59
6.1.3.	PCB Guidelines in case of FCC Certification	60
6.1.3.1.	Transmission line design	60
6.1.3.2.	Transmission Line Measurements	61
6.1.3.3.	Antenna Installation Guidelines.....	63
6.2.	Second Antenna requirements.....	64
6.2.1.	Single Antenna Operation	65
7.	AUDIO SECTION	66
7.1.	Electrical Characteristics.....	66
7.2.	Codec examples	66
8.	MECHANICAL DESIGN	67
9.	APPLICATION PCB DESIGN	68
9.1.	Footprint	68
9.2.	PCB pad design.....	69
9.3.	PCB pad dimensions	69
9.4.	Stencil.....	70
9.5.	Solder paste	71
9.6.	Solder Reflow	71
10.	PACKAGING.....	73
10.1.	Tray	73
10.2.	Moisture sensitivity	75
11.	CONFORMITY ASSESSMENT ISSUES	76
11.1.	Approvals.....	76
11.2.	Declaration of Conformity	76
11.3.	FCC certificates	76
11.4.	IC/ISED certificates.....	76
11.5.	FCC/ISED Regulatory notices LE866-SV1.....	76
11.6.	FCC/ISED Regulatory notices LE866A1-NA.....	80
12.	SAFETY RECOMMENDATIONS.....	83
12.1.	READ CAREFULLY.....	83
13.	REFERENCE TABLE OF RF BANDS CHARACTERISTICS	84

14.	ACRONYMS.....	87
15.	DOCUMENT HISTORY	89

1. INTRODUCTION

1.1. Scope

This document introduces the Telit LE866 modules and presents possible and recommended hardware solutions for developing a product based on this module. All the features and solutions detailed in this document are applicable to all LE866 variants, where LE866 refers to the variants listed in the applicability table.

Obviously, this document cannot embrace every hardware solution or every product that can be designed. Where the suggested hardware configurations need not be considered mandatory, the information given should be used as a guide and a starting point for properly developing your product with the Telit module.

1.2. Audience

This document is intended for Telit customers, especially system integrators, about to implement their applications using the Telit module.

1.3. Contact Information, Support

For general contact, technical support services, technical questions and report documentation errors contact Telit Technical Support at:

- TS-EMEA@telit.com
- TS-AMERICAS@telit.com
- TS-APAC@telit.com
- TS-SRD@telit.com

Alternatively, use:

<http://www.telit.com/support>

For detailed information about where you can buy the Telit modules or for recommendations on accessories and components visit:

<http://www.telit.com>

Our aim is to make this guide as helpful as possible. Keep us informed of your comments and suggestions for improvements.

Telit appreciates feedback from the users of our information.

1.4. Text Conventions



Danger – This information **MUST** be followed or catastrophic equipment failure or bodily injury may occur.



Caution or Warning – Alerts the user to important points about integrating the module, if these points are not followed, the module and end user equipment may fail or malfunction.



Tip or Information – Provides advice and suggestions that may be useful when integrating the module.

All dates are in ISO 8601 format, i.e. YYYY-MM-DD.

1.5. Related Documents

- SIM Holder Design Guides, 80000NT10001A
- LE866 AT Commands Reference Guide, 80471ST10691A
- Telit EVK2 User Guide, 1vv0300704
- xE866 Interfaces User Guide, 1vv0301260

2. GENERAL PRODUCT DESCRIPTION

2.1. Overview

LE866 is Telit's new LTE series for IoT applications.

In its most basic use case, LE866 can be applied as a wireless communication front-end for telematics products, offering mobile communication features to an external host CPU through its interfaces.

2.2. Product Variants and Frequency Bands

All LE866 variants are single mode LTE.

Different bands combinations are available:

Product	2G Band (MHz)	3G Band (MHz)	4G Band (MHz)	Region
LE866-SV1			B4 (AWS1700) B13 (700)	North America Verizon
LE866A1-NA			B2 (1900) B4 (AWS1700) B12 (700)	North America AT&T
LE866A1-KK			B3 (1800) B8 (900)	Korea KT
LE866A1-KS			B3 (1800) B5 (850)	Korea SKT
LE866A1-JS			B1 (2100) B8 (900)	Japan Softbank

Refer to Chapter 13 for details information about frequencies and bands.

2.3. Target market

LE866 can be used for telematics applications where tamper-resistance, confidentiality, integrity, and authenticity of end-user information are required, for example:

- Emergency call
- Telematics services
- Road pricing
- Pay-as-you-drive insurance
- Stolen vehicles tracking
- Internet connectivity

2.4. Main features

Function	Features
Modem	<ul style="list-style-type: none"> • Multi-RAT cellular modem for voice and data communication <ul style="list-style-type: none"> ○ LTE FDD Cat1 (10/5Mbps DL/UL). ○ Carrier aggregation is not supported • SMS support (text and PDU) • Alarm management • Real Time Clock • SIM phonebook • Internal IP stack
GNSS	<ul style="list-style-type: none"> • Not supported
Digital audio subsystem	<ul style="list-style-type: none"> • PCM/I2S digital audio interface • Up to 16 kHz sample rate, 16 bit words
Interfaces	<ul style="list-style-type: none"> • USB2.0 – USB port is typically used for: <ul style="list-style-type: none"> ○ Flashing of firmware and module configuration ○ Production testing ○ AT command access ○ Diagnostic monitoring and debugging • Peripheral Ports – UART • 7 GPIOs • Antenna ports

2.5. TX Output Power

Band	Power class
LTE All Bands	Class 3 (0.2W)

2.6. RX Sensitivity

Below the 3GPP measurement conditions used to define the RX sensitivity:

Technology	3GPP Compliance
4G LTE	Throughput >95% 10MHz Dual Receiver

Product	Band	Sensitivity (dBm)
LE866-SV1	LTE FDD B4	-102.0
	LTE FDD B13	
LE866A1-NA	LTE FDD B2	-102.0
	LTE FDD B4	
	LTE FDD B12	
LE866A1-KK	LTE FDD B3	-102.0
	LTE FDD B8	
LE866A1-JS	LTE FDD B1	-102.0
	LTE FDD B8	

2.7. Mechanical specifications

2.7.1. Dimensions

The overall dimensions of LE866 family are:

- Length: 25 mm
- Width: 15 mm
- Thickness: 2.2 mm

2.7.2. Weight

The nominal weight of the module is 1.80 grams.

2.8. Temperature range

		Note
Operating Temperature Range	–20°C ÷ +55°C	The module is fully functional(*) in all the temperature range, and it fully meets the 3GPP specifications.
	–40°C ÷ +85°C	The module is fully functional (*) in all the temperature range.
Storage and non-operating Temperature Range	–40°C ÷ +85°C	

(*) Functional: the module is able to make and receive voice calls, data calls, SMS and make data traffic.

3. PINS ALLOCATION

3.1. Pin-out

Pin	Signal	I/O	Function	Type	Comment
USB HS 2.0 COMMUNICATION PORT					
E5	USB_D+	I/O	USB differential Data (+)	-	
E6	USB_D-	I/O	USB differential Data (-)	-	
Asynchronous Serial Port (USIF0) – Prog. / Data + HW Flow Control					
A4	C103/TXD	I	Serial data input (TXD) from DTE	CMOS 1.8V	
A5	C104/RXD	O	Serial data output to DTE	CMOS 1.8V	
A2	C108/DTR	I	Input for (DTR) from DTE	CMOS 1.8V	
A1	C105/RTS	I	Input for Request to send signal (RTS) from DTE	CMOS 1.8V	
B1	C106/CTS	O	Output for Clear to send signal (CTS) to DTE	CMOS 1.8V	
B2	C109/DCD	O	Output for (DCD) to DTE	CMOS 1.8V	
A3	C107/DSR	O	Output for (DSR) to DTE	CMOS 1.8V	
B3	C125/RING	O	Output for Ring (RI) to DTE	CMOS 1.8V	
Asynchronous Auxiliary Serial Port (USIF1)					
C1	TX_AUX	O	Auxiliary UART (TX Data to DTE)	CMOS 1.8V	
C2	RX_AUX	I	Auxiliary UART (RX Data from DTE)	CMOS 1.8V	
SIM card interface					
C7	SIMVCC	-	External SIM signal – Power supply for the SIM	1.8V Only	
B7	SIMRST	O	External SIM signal – Reset	CMOS 1.8	
A7	SIMCLK	O	External SIM signal – Clock	CMOS 1.8	

A6	SIMIO	I/O	External SIM signal – Data I/O	CMOS 1.8	
X	SIMIN	I	Presence SIM input	CMOS 1.8	See next chapters
DIGITAL IO					
C5	GPIO_01 DVI_WA0 SIM_IN	I/O INT	Main Function: GPIO01 Configurable GPIO Alternate function 1: Digital Audio Interface (WA0) Alternate Function 2: SIM_IN	CMOS 1.8V	
C6	GPIO_02 DVI_RX SIM_IN	I/O INT	Main Function: GPIO02 Configurable GPIO Alternate Function 1: Digital Audio Interface (RX) Alternate Function 2: SIM_IN	CMOS 1.8V	
D6	GPIO_03 DVI_TX SIM_IN	I/O INT	General Purpose IO Alternate Function 1: Digital Audio Interface (TX) Alternate Function 2: SIM_IN	CMOS 1.8V	
D5	GPIO_04 DVI_CLK SIM_IN	I/O INT	Main Function: GPIO04 Configurable GPIO Alternate Function1: Digital Audio Interface (CLK) Alternate Function 2: SIM_IN	CMOS 1.8V	
B5	GPIO_05 SIM_IN	I/O INT	Main Function: GPIO05 Configurable GPIO Alternate Function 1: SIM_IN	CMOS 1.8V	
B4	GPIO_06 ALARM SIM_IN	I/O INT	Main Function: GPIO06 Configurable GPIO Alternate Function 1: ALARM Alternate Function 2: SIM_IN	CMOS 1.8V	
C4	GPIO_07 STAT_LED SIM_IN	I/O INT	Main Function: GPIO07 Configurable GPIO Alternate Function 1: STATLED Alternate Function 2: SIM_IN	CMOS 1.8V	
D8	VDDIO_IN	I	IO bus Supply input	Power	
ADC and DAC					
F4	ADC_IN1	AI	Analog/Digital converter input	A/D	Accepted values 0 to 1.0V DC
E4	DAC_OUT	AO	Digital/Analog converter output	D/A	
RF Section					
G2	MAIN_ANT	I/O	LTE Main Antenna (50 ohm)	RF	
C0	DIV_ANT	I	LTE RX Diversity Antenna (50 ohm)	RF	

Miscellaneous Functions					
G4	RESET*	I	Reset Input	VBATT	Pull up to VBATT (10Kohm)
G6	VAUX/PWRMON	O	1.8V stabilized output Power ON monitor	Power	
3GPP Rel12 PSM (Power Saving Mode)					
D3	PSM_WAKE	I	3GPP Rel12 PSM Wake Up	Analog	
E8	PSM_STATUS	O	3GPP Rel12 PSM Status	CMOS 1.8V	
F8	PSM_ENA_OUT	O	3GPP Rel12 PSM Enable for external LDOs	CMOS 1.8V	
Power Supply					
E2	VBATT	-	Main power supply (Baseband)	Power	
E0	VBATT_PA	-	Main power supply (Radio PA)	Power	
E1	VBATT_PA	-	Main power supply (Radio PA)	Power	
B0	GND	-	Ground	Power	
D0	GND	-	Ground	Power	
F0	GND	-	Ground	Power	
G0	GND	-	Ground	Power	
D1	GND	-	Ground	Power	
F1	GND	-	Ground	Power	
G1	GND	-	Ground	Power	
D2	GND	-	Ground	Power	
F2	GND	-	Ground	Power	
C3	GND	-	Ground	Power	
E3	GND	-	Ground	Power	

F3	GND	-	Ground	Power
G3	GND	-	Ground	Power
F6	GND	-	Ground	Power
A8	GND	-	Ground	Power
G8	GND	-	Ground	Power
A11	GND	-	Ground	Power
G11	GND	-	Ground	Power
RESERVED				
A0	RESERVED	-	RESERVED	
G5	RESERVED	-	RESERVED	
B6	RESERVED	-	RESERVED	
D7	RESERVED	-	RESERVED	
E7	RESERVED	-	RESERVED	
F7	RESERVED	-	RESERVED	
G7	RESERVED	-	RESERVED	
B8	RESERVED	-	RESERVED	
C8	RESERVED	-	RESERVED	
A9	RESERVED	-	RESERVED	
B9	RESERVED	-	RESERVED	
C9	RESERVED	-	RESERVED	
D9	RESERVED	-	RESERVED	
E9	RESERVED	-	RESERVED	
F9	RESERVED	-	RESERVED	

G9	RESERVED	-	RESERVED
A10	RESERVED	-	RESERVED
B10	RESERVED	-	RESERVED
C10	RESERVED	-	RESERVED
D10	RESERVED	-	RESERVED
E10	RESERVED	-	RESERVED
F10	RESERVED	-	RESERVED
G10	RESERVED	-	RESERVED
B11	RESERVED	-	RESERVED
C11	RESERVED	-	RESERVED
D4	RESERVED	-	RESERVED
F5	RESERVED	-	RESERVED
F11	RESERVED	-	RESERVED
E11	RESERVED	-	RESERVED
D11	RESERVED	-	RESERVED

**WARNING**

Reserved pins must not be connected.

If not used, almost all pins should be left disconnected. The only exceptions are the following pins:

Pad	Signal	Note
E2	VBATT	
E0	VBATT_PA	
E1	VBATT_PA	
B0, D0, F0, G0, D1, F1, G1, D2, F2, C3, E3, F3, G3, F6, A8, G8, A11, G11	GND	
G2	Main Antenna	
C0	Diversity Antenna	
A4	C103/TXD	If not used should be connected to a Test Point
A5	C104/RXD	If not used should be connected to a Test Point
A1	C105/RTS	If not used should be connected to a Test Point
B1	C106/CTS	If not used should be connected to a Test Point
G6	VAUX / PWRMON	
G4	RESET*	
C1	TXD_AUX	If not used should be connected to a Test Point
C2	RXD_AUX	If not used should be connected to a Test Point
E5	USB D+	If not used should be connected to a Test Point or an USB connector
E6	USB D-	If not used should be connected to a Test Point or an USB connector
C7	SIMVCC	
B7	SIMRST	

A7	SIMCLK	
A6	SIMIO	
D8	VDDIO_IN	To be always supplied (or using VAUX/PWRMON or with an external LDO)

RTS pin should be connected to the GND (on the module side) if flow control is not used.

The above pins are also necessary to debug the application when the module is assembled on it so we recommend connecting them also to dedicated test point.

3.2. LGA Pads Layout

TOP VIEW

	A	B	C	D	E	F	G
0	RESERVED	GND	DIV ANT	GND	VBATT_PA	GND	GND
1	C105/RTS	C106/CTS	TX AUX	GND	VBATT_PA	GND	GND
2	C108/DTR	C109/DCD	RX AUX	GND	VBATT	GND	MAIN ANT
3	C107/DSR	C125/RING	GND	PSM_WAKE	GND	GND	GND
4	C103/TXD	GPIO_06	GPIO_07	RESERVED	DAC_OUT	ADC_IN1	RESET*
5	C104/RXD	GPIO_05	GPIO_01	GPIO_04	USB_D+	RESERVED	RESERVED
6	SIMIO	RESERVED	GPIO_02	GPIO_03	USB_D-	GND	VAUX/PWR MON
7	SIMCLK	SIMRST	SIMVCC	RESERVED	RESERVED	RESERVED	RESERVED
8	GND	RESERVED	RESERVED	VDDIO_IN	PSM_STAT US	PSM_ENA_OUT	GND
9	RESERVED	RESERVED	RESERVED	RESERVED	RESERVED	RESERVED	RESERVED
10	RESERVED	RESERVED	RESERVED	RESERVED	RESERVED	RESERVED	RESERVED
11	GND	RESERVED	RESERVED	RESERVED	RESERVED	RESERVED	GND

4. POWER SUPPLY

The power supply circuitry and board layout are a very important part in the full product design and they strongly reflect on the product overall performances, hence read carefully the requirements and the guidelines that will follow for a proper design.

4.1. Power Supply Requirements

The external power supply must be connected to VBATT & VBATT_PA signals and must fulfil the following requirements:

Power Supply	Value
Nominal Supply Voltage	3.8V
Normal Operating Voltage Range	3.40 V ÷ 4.20 V
Extended Operating Voltage Range	3.10 V ÷ 4.50 V



NOTE:

The Operating Voltage Range **MUST** never be exceeded; care must be taken when designing the application's power supply section to avoid having an excessive voltage drop.

If the voltage drop is exceeding the limits it could cause a Power Off of the module.

Overshoot voltage (regarding MAX Extended Operating Voltage) and drop in voltage (regarding MIN Extended Operating Voltage) **MUST** never be exceeded;

The "Extended Operating Voltage Range" can be used only with completely assumption and application of the HW User guide suggestions.

4.2. Power Consumption

Mode	Average (mA)	Mode Description
AT+CFUN=1	23.4	Connected mode USB Not connected
AT+CFUN=4	21.0	Radio Disabled USB Not connected
AT+CFUN=5	3.0	Power Saving Enabled USB not connected I-DRX (3GPP Rel.8) – paging 2.56s
LTE Data Call (Min Power)	395	LTE data call (channel BW 5MHz, RB=1, TX=0dBm)
LTE Data Call (Max Power)	580	LTE data call (channel BW 5MHz, RB=1, TX=22dBm)



NOTE:

The electrical design for the Power supply should be made ensuring it will be capable of a peak current output of at least 1 A.

4.3. General Design Rules

The principal guidelines for the Power Supply Design embrace three different design steps:

- the electrical design
- the thermal design
- the PCB layout.

4.3.1. Electrical Design Guidelines

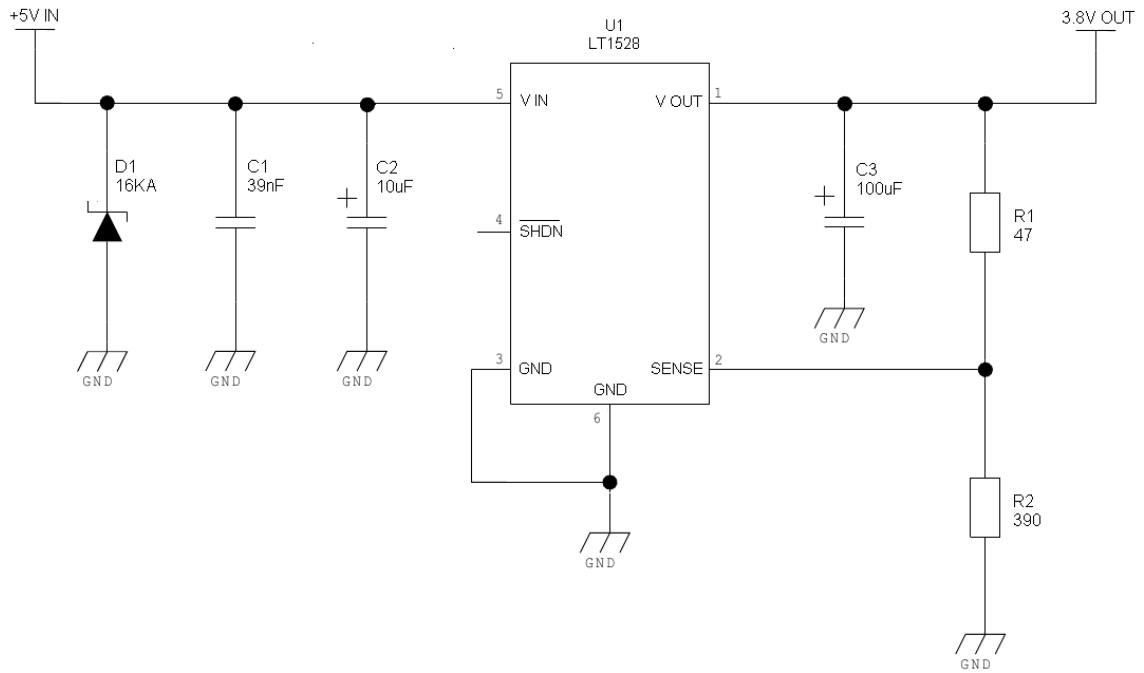
The electrical design of the power supply depends strongly from the power source where this power is drained. We will distinguish them into three categories:

- +5V input (typically PC internal regulator output)
- +12V input (typically automotive)
- Battery

4.3.1.1. +5V Source Power Supply Design Guidelines

- The desired output for the power supply is 3.8V, hence there's not a big difference between the input source and the desired output and a linear regulator can be used. A switching power supply will not be suited because of the low drop out requirements.
- When using a linear regulator, a proper heat sink shall be provided in order to dissipate the power generated.
- A Bypass low ESR capacitor of adequate capacity must be provided in order to cut the current absorption peaks close to the Module, a 100 μ F capacitor is usually suited.
- Make sure the low ESR capacitor on the power supply output rated at least 10V.

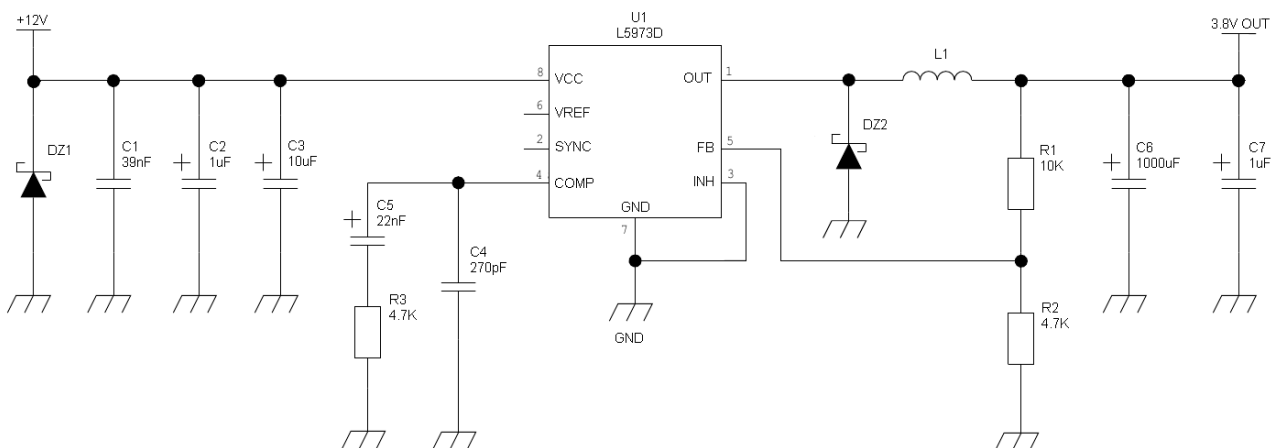
An example of linear regulator with 5V input is:



4.3.2. +12V Source Power Supply Design Guidelines

- The desired output for the power supply is 3.8V, hence due to the big difference between the input source and the desired output, a linear regulator is not suited and shall not be used. A switching power supply will be preferable because of its better efficiency.
- When using a switching regulator, a 500kHz or more switching frequency regulator is preferable because of its smaller inductor size and its faster transient response. This allows the regulator to respond quickly to the current peaks absorption.
- In any case the frequency and Switching design selection is related to the application to be developed due to the fact the switching frequency could also generate EMC interferences.
- For car PB battery the input voltage can rise up to 15,8V and this should be kept in mind when choosing components: all components in the power supply must withstand this voltage.
- A Bypass low ESR capacitor of adequate capacity must be provided in order to cut the current absorption peaks, a 100 μ F capacitor is usually suited.
- Make sure the low ESR capacitor on the power supply output is rated at least 10V.
- For Car applications a spike protection diode should be inserted close to the power input, in order to clean the supply from spikes.

An example of switching regulator with 12V input is in the below schematic:



4.3.2.1. Battery Source Power Supply Design Guidelines

The desired nominal output for the power supply is 3.8V and the maximum voltage allowed is 4.2V, hence a single 3.7V Li-Ion cell battery type is suited for supplying the power to the Telit LE866 module.

- A Bypass low ESR capacitor of adequate capacity must be provided in order to cut the current absorption peaks, a 100 μ F tantalum capacitor is usually suited.
- Make sure the low ESR capacitor (usually a tantalum one) is rated at least 10V.
- A protection diode should be inserted close to the power input, in order to save the LE866 from power polarity inversion. Otherwise the battery connector should be done in a way to avoid polarity inversions when connecting the battery.
- The battery capacity must be at least 500mAh in order to withstand the current peaks of 2A; the suggested capacity is from 500mAh to 1000mAh.



WARNING:

The three cells Ni/Cd or Ni/MH 3,6 V Nom. Battery types or 4V PB types **MUST NOT BE USED DIRECTLY** since their maximum voltage can rise over the absolute maximum voltage for the LE866 and damage it.



NOTE:

DON'T USE any Ni-Cd, Ni-MH, and Pb battery types directly connected with LE866. Their use can lead to overvoltage on the LE866 and damage it. USE ONLY Li-Ion battery types.

4.3.3. Thermal Design Guidelines

The thermal design for the power supply heat sink should be done with the following specifications:

- Average current consumption during LTE transmission @PWR level max : 600 mA
- *Average current during idle: 23 mA*

Considering the very low current during idle, especially if Power Saving function is enabled, it is possible to consider from the thermal point of view that the device absorbs current significantly only during calls.

If we assume that the device stays into transmission for short periods of time (let's say few minutes) and then remains for a quite long time in idle (let's say one hour), then the power supply has always the time to cool down between the calls and the heat sink could be smaller than the calculated one for 700mA maximum RMS current, or even could be the simple chip package (no heat sink).

Moreover in the average network conditions the device is requested to transmit at a lower power level than the maximum and hence the current consumption will be less than the 700mA, being usually around 150mA.

For these reasons the thermal design is rarely a concern and the simple ground plane where the power supply chip is placed can be enough to ensure a good thermal condition and avoid overheating.

The generated heat will be mostly conducted to the ground plane under the LE866; you must ensure that your application can dissipate it.



NOTE:

The average consumption during transmissions depends on the power level at which the device is requested to transmit by the network. The average current consumption hence varies significantly.

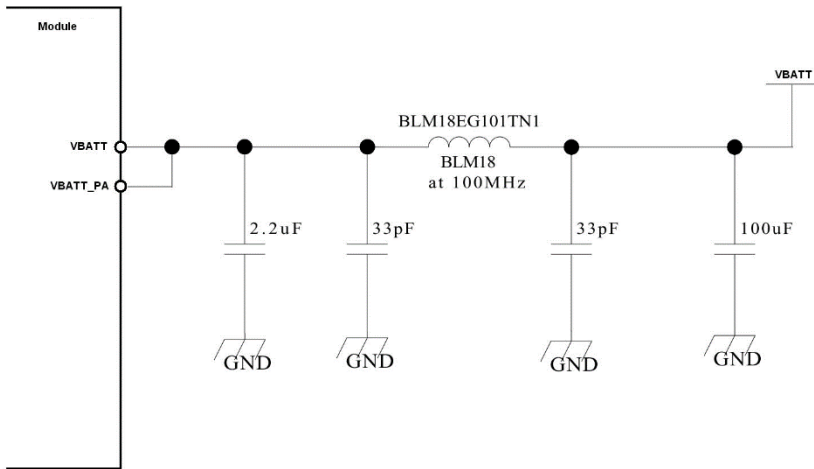
4.3.4. Power Supply PCB layout Guidelines

As seen on the electrical design guidelines the power supply shall have a low ESR capacitor on the output to cut the current peaks on the input to protect the supply from spikes. The placement of this component is crucial for the correct working of the circuitry. A misplaced component can be useless or can even decrease the power supply performances.

- The Bypass low ESR capacitor must be placed close to the Telit LE866 power input pads or in the case the power supply is a switching type it can be placed close to the inductor to cut the ripple provided the PCB trace from the capacitor to the LE866 is wide enough to ensure a dropless connection even during an 1A current peak.
- The protection diode must be placed close to the input connector where the power source is drained.
- The PCB traces from the input connector to the power regulator IC must be wide enough to ensure no voltage drops occur when an 1A current peak is absorbed.
- The PCB traces to the LE866 and the Bypass capacitor must be wide enough to ensure no significant voltage drops occur. This is for the same reason as previous point. Try to keep this trace as short as possible.
- To reduce the EMI due to switching, it is important to keep very small the mesh involved; thus the input capacitor, the output diode (if not embodied in the IC) and the regulator have to form a very small loop. This is done in order to reduce the radiated field (noise) at the switching frequency (100-500 kHz usually).
- A dedicated ground for the Switching regulator separated by the common ground plane is suggested.
- The placement of the power supply on the board should be done in such a way to guarantee that the high current return paths in the ground plane are not overlapped to any noise sensitive circuitry as the microphone amplifier/buffer or earphone amplifier.
- The power supply input cables should be kept separate from noise sensitive lines such as microphone/earphone cables.
- The insertion of EMI filter on VBATT pins is suggested in those designs where antenna is placed close to battery or supply lines.

A ferrite bead like Murata BLM18EG101TN1 or Taiyo Yuden P/N FBMH1608HM101 can be used for this purpose.

The below figure shows the recommended circuit:



4.4. RTC Bypass out

The LE866 module is provided by an internal RTC section but its reference supply is VBATT.

So, in order to maintain active the RTC programming, VBATT should not be removed

4.5. VAUX Power Output

A regulated power supply output is provided in order to supply small devices from the module. The signal is present on Pad G6 and it is in common with the PWRMON (module powered ON indication) function.

This output is always active when the module is powered ON.

The operating range characteristics of the supply are:

Item	Min	Typical	Max
Output voltage	1.7V	1.80V	1.9V
Output current	-	-	60mA
Output bypass capacitor	1.7V	1uF	



NOTE:

The Output Current MUST never be exceeded; care must be taken when designing the application section to avoid having an excessive current consumption.

If the Current is exceeding the limits it could cause a Power Off of the module.



NOTE:

VAUX is switched OFF when the module enters in PSM mode (AT#PSM=2)



Warning:

The current consumption from VAUX_PWRMON increases the modem temperature.

4.6. VDDIO_IN Power Input

VDDIO_IN is an input line used to supply the Digital section of LE866.
The operating range characteristics of the external supply have to be:

Item	Min	Typical	Max
Voltage	1.7V	1.80V	1.9V



NOTE:

If VDDIO_IN line is not powered (i.e. during the sleep states in PSM=2 when supplied by VAUX, during transition phases BOOT, RESET etc. and when the module is unsupplied) it is important to avoid back powering the digital pins.

Exceeding the absolute maximum ratings could damage permanently the module.



NOTE:

VDDIO_IN can be directly supplied from VAUX_PWRMON line (adding an R0 in series for debug purposes).

4.7. 3GPP Power Saving Mode (PSM)

The LE866 is supporting a new feature introduced in 3GPP Rel.12 that allows the Module to skip idle mode tasks for a longer time period while still maintaining the NAS context. This feature permits to reduce the overall power consumption when there is no required data activity with the network for a long time.

Additional hardware lines are defined to support this feature and to synchronize the activities with the external Host processor.

Signal	Function	I/O	Pad
VDDIO_IN	IO bus Supply input	I	D8
PSM_WAKE	PSM Wake Up	I	D3
PSM_STATUS	PSM Status indication	O	E8
PSM_ENA_OUT	PSM Enable for external LDOs	O	F8

A detailed description of the PSM use and design examples is available in the LE866 PSM Application Note.



NOTE:

If VDDIO_IN line is not powered (i.e. during the sleep states in PSM=2 when supplied by VAUX, during transition phases BOOT, RESET etc. and when the module is unsupplied) it is important to avoid back powering the digital pins.

Exceeding the absolute maximum ratings could damage permanently the module.

5. DIGITAL SECTION

5.1. Logic Levels

ABSOLUTE MAXIMUM RATINGS:

Parameter	Min	Max
Input level on any digital pin (CMOS 1.8) with respect to ground	-0.3V	VDDIO_IN +0.3V
Input level on any digital pin (CMOS 1.8) with respect to ground		

OPERATING RANGE – INTERFACE LEVELS (1.8V CMOS):

Parameter	Min	Max
Input high level	1.55V	1.9V
Input low level	0V	0.35V
Output high level	1.35V	1.8V
Output low level	0V	0.8V

CURRENT CHARACTERISTICS:

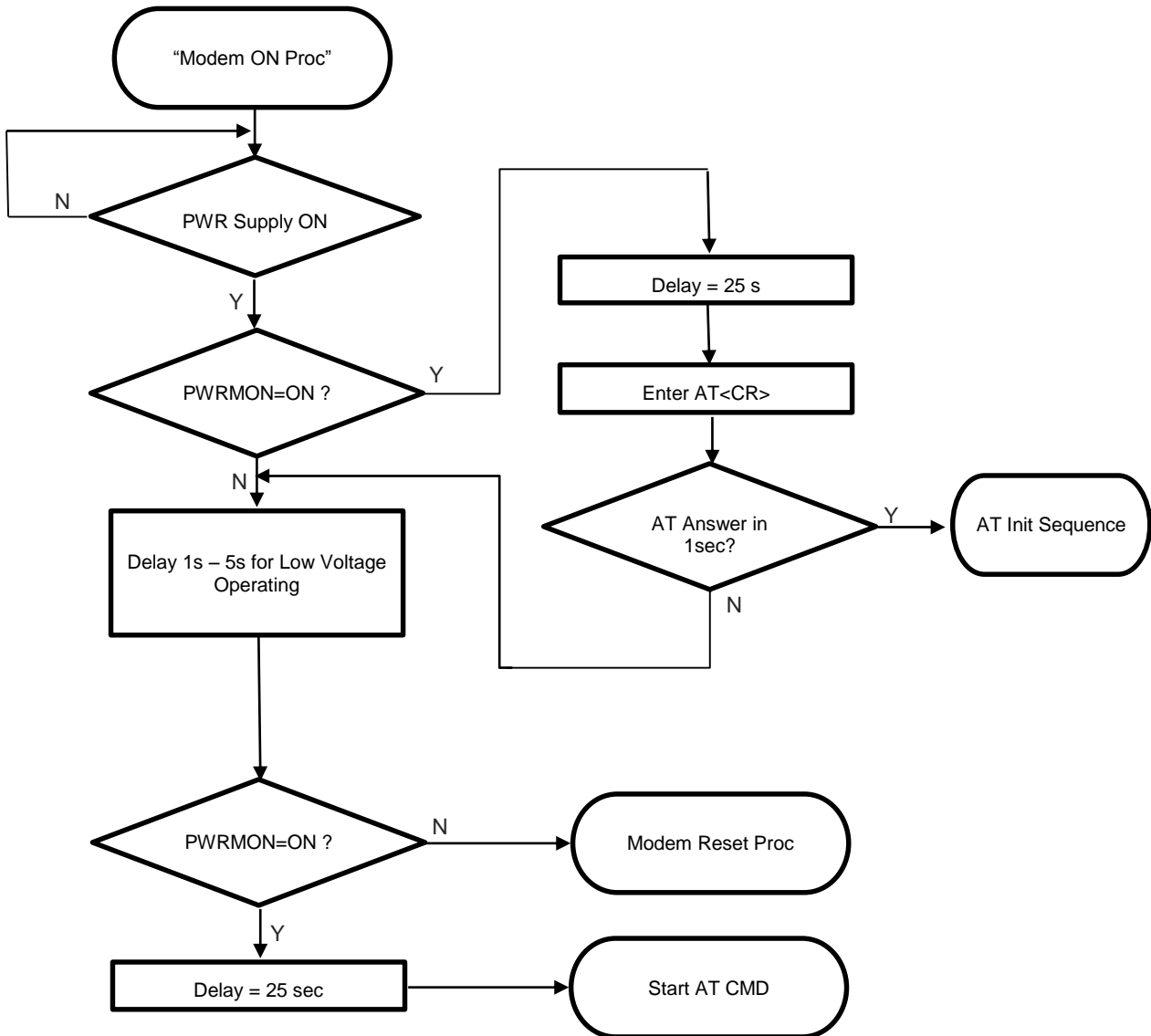
Parameter	AVG
Input Current	10uA

5.2. Power On

The LE866 will automatically power on itself when VBATT & VBATT_PA are applied to the module.

VAUX / PWRMON pin will be then set at the high logic level.

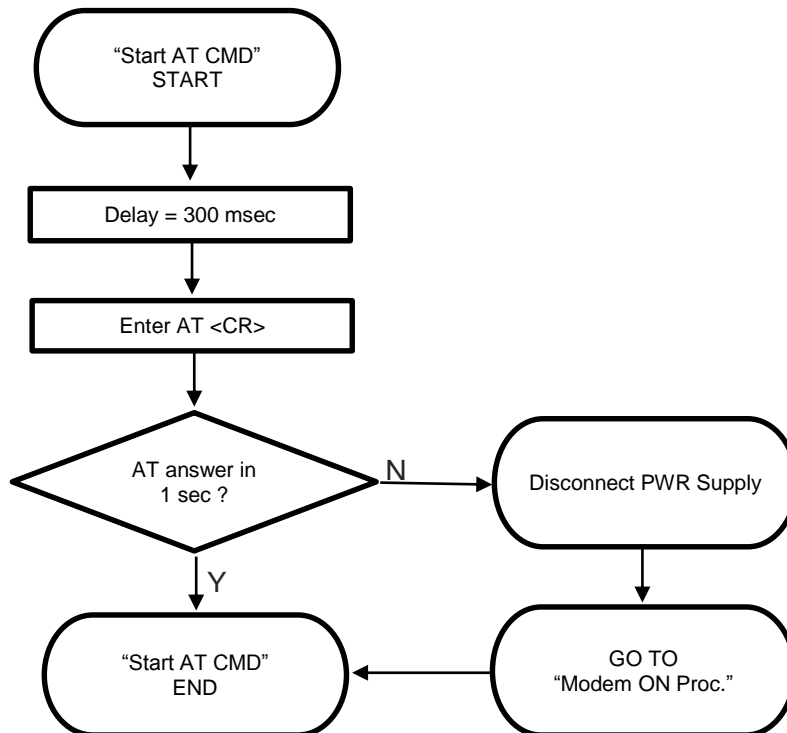
The following flow chart shows the proper turn on procedure:



NOTE:

The power supply must be applied either at the same time on pins VBATT and VBATT_PA.

A flow chart showing the AT commands managing procedure is displayed below:

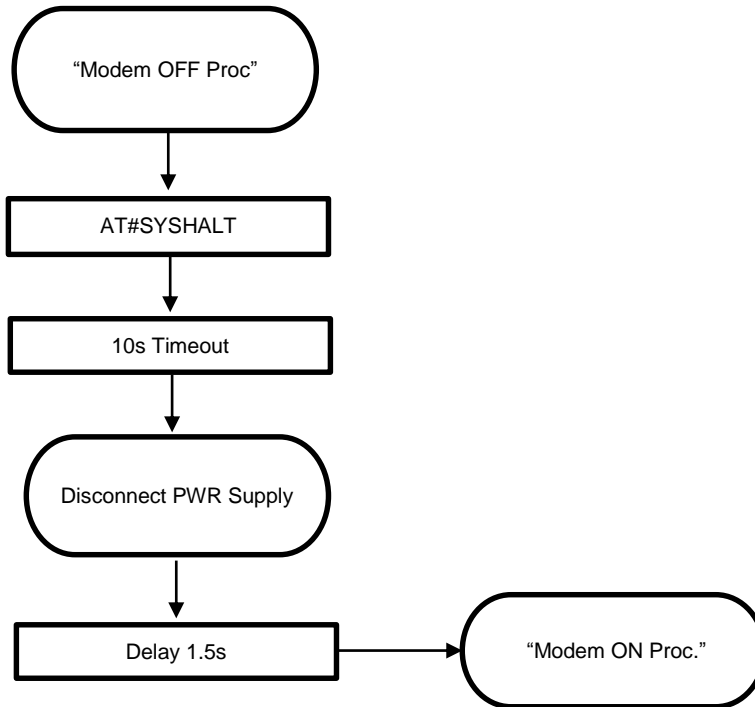


NOTE:

In order to avoid a back powering effect it is recommended to avoid having any HIGH logic level signal applied to the digital pins of the LE866 when the module is not supplied or during a reboot transition.

5.3. Power Off

The following flowchart shows the proper Turn-off procedure:



In order to avoid a back powering effect it is recommended to avoid having any HIGH logic level signal applied to the digital pins of the LE866 when the module is powered off or during an ON/OFF transition.

5.4. Unconditional Restart

To unconditionally restart the LE866, the pad RESET* must be tied low for at least 200 milliseconds and then released.

The maximum current that can be drained from the RESET* pad is 0,15 mA.

The hardware unconditional Restart must not be used during normal operation of the device since it does not detach the device from the network. It shall be kept as an emergency exit procedure to be done in the rare case that the device gets stuck waiting for some network or SIM responses.

Do not use any pull up resistor on the RESET* line nor any totem pole digital output. Using pull up resistor may bring to latch up problems on the LE866 power regulator and improper functioning of the module.

The line RESET* must be connected only in open collector configuration; the transistor must be connected as close as possible to the RESET* pin.

The unconditional hardware restart must always be implemented on the boards and the software must use it as an emergency exit procedure.

PIN DESCRIPTION

Signal	Function	I/O	Pad
RESET*	Unconditional Reset of the Module	I	G4

OPERATING LEVELS

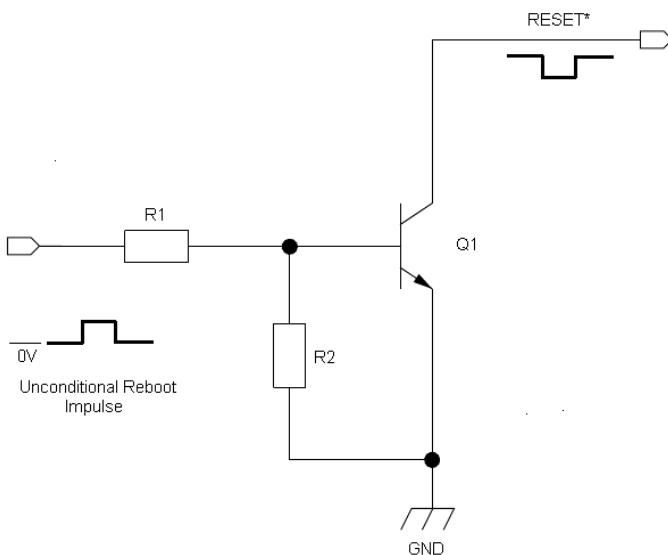
The RESET* line is connected to VBATT with a Pull Up so the electrical levels are on this pin are aligned to the main supply level.



WARNING:

The hardware unconditional Reset must not be used during normal operation of the device since it does not detach the device from the network. It shall be kept as an emergency exit procedure.

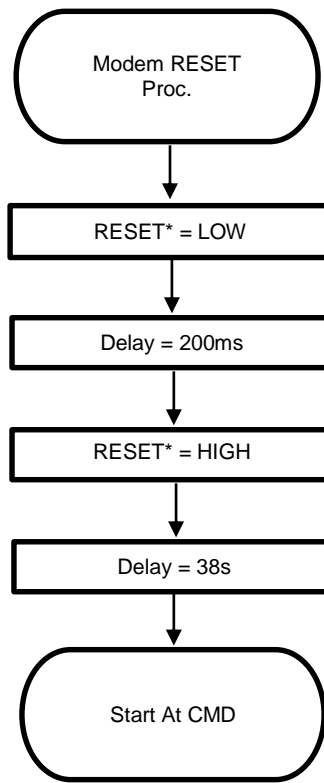
A typical circuit is the following:



NOTE:

In order to avoid a back powering effect it is recommended to avoid having any HIGH logic level signal applied to the digital pins of the LE866 when the module is powered off or during a reboot transition.

In the following flow chart is detailed the proper restart procedure:



NOTE:

Do not use any pull up resistor on the RESET* line nor any totem pole digital output. Using pull up resistor may bring to latch up problems on the LE866 power regulator and improper functioning of the module.

To proper power on again the module please refer to the related paragraph (“Power ON”)

The unconditional hardware reboot must always be implemented on the boards and should be used only as an emergency exit procedure.

5.5. Fast System Turn Off

The procedure to power off LE866 described in previous chapters normally takes more than 1 second to detach from network and make LE866 internal filesystem properly closed.

In case of unwanted supply voltage loss the system can be switched off without any risk of filesystem data corruption by implementing Fast SysHalt feature.

Fast SysHalt feature permits to reduce the current consumption and the time-to-poweroff to minimum values.



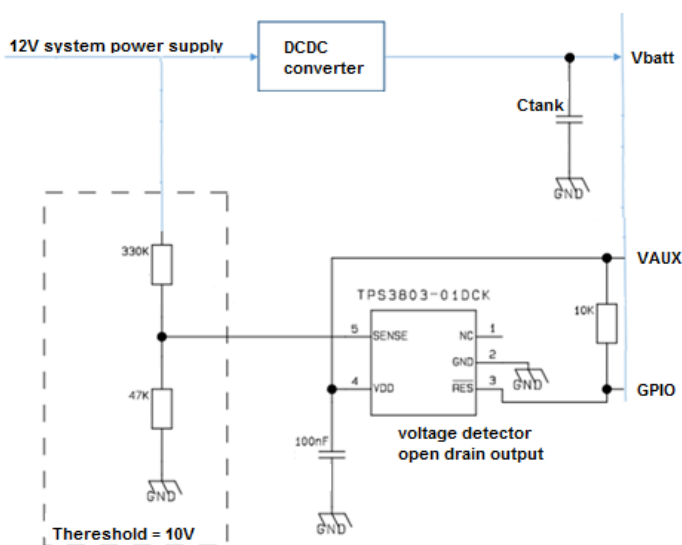
NOTE:

Refer to LE866 series AT command reference guide (Fast System Turn-Off - #FASTSYSHALT) in order to set up detailed AT command.

5.5.1. Fast Turn Off by Hardware

The Fast System Turn Off can be triggered by configuration of any GPIO. HI level to LOW level transition of GPIO commands fast SysHalt.

Example circuit:



The capacitor is rated with the following formula:

$$C = I \frac{\Delta t}{\Delta V}$$



NOTE:

In case of power on with slow ramp-up of Vbatt supply voltage, RESET* line has to be used according to Power On diagram described in previous chapters.

5.5.2. Fast Shut Down by Software

The Fast Power Down can be triggered by AT command.

5.6. Communication ports

5.6.1. USB 2.0 HS

The LE866 includes one integrated universal serial bus (USB 2.0 HS) transceiver.

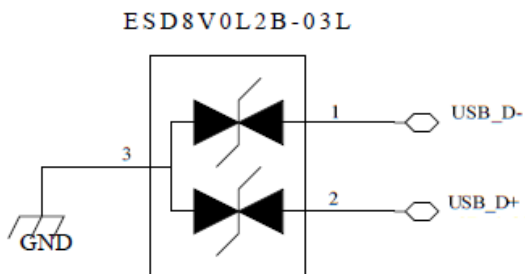
The following table is listing the available signals:

PAD	Signal	I/O	Function	Type
E5	USB_D+	I/O	USB differential Data (+)	3.3V/100mV
E6	USB_D-	I/O	USB differential Data (-)	3.3V/100mV

The USB_DPLUS and USB_DMINUS signals have a clock rate of 480 MHz.

The signal traces should be routed carefully. Trace lengths, number of vias and capacitive loading should be minimized. The characteristic impedance value should be as close as possible to 90 Ohms differential.

In case there is a need to add an ESD protection, the suggested connection is the following:



5.6.2. Serial Ports

The LE866 module is provided with by 2 Asynchronous serial ports:

- MODEM SERIAL PORT 1 (Main)
- MODEM SERIAL PORT 2 (Auxiliary)

Several configurations can be designed for the serial port on the OEM hardware, but the most common are:

- RS232 PC com port
- microcontroller UART @ 1.8V (Universal Asynchronous Receive Transmit)
- microcontroller UART @ 5V or other voltages different from 1.8V

Depending from the type of serial port on the OEM hardware a level translator circuit may be needed to make the system work.

On the LE866 the ports are CMOS 1.8.

5.6.2.1. MODEM SERIAL PORT 1 (USIF0)

The serial port 1 on the LE866 is a +1.8V UART with all the 7 RS232 signals.

It differs from the PC-RS232 in the signal polarity (RS232 is reversed) and levels.

The following table is listing the available signals:

RS232 pin	Signal	PAD	Name	Usage
1	C109/DCD	B2	Data Carrier Detect	Output from the LE866 that indicates the carrier presence
2	C104/RXD	A5	Transmit line *see Note	Output transmit line of LE866 UART
3	C103/TXD	A4	Receive line *see Note	Input receive of the LE866 UART
4	C108/DTR	A2	Data Terminal Ready	Input to the LE866 that controls the DTE READY condition
5	GND	D1, F1, G1, D2, F2, C3, E3, F3, G3, F6, A8, G8, A11, G11	Ground	Ground
6	C107/DSR	A2	Data Set Ready	Output from the LE866 that indicates the module is ready
7	C106/CTS	A1	Clear to Send	Output from the LE866 that controls the Hardware flow control

8	C105/RTS	B1	Request to Send	Input to the LE866 that controls the Hardware flow control
9	C125/RING	B3	Ring Indicator	Output from the LE866 that indicates the incoming call condition

**NOTE:**

According to V.24, some signal names are referred to the application side, therefore on the LE866 side these signal are on the opposite direction:

TXD on the application side will be connected to the receive line (here named C103/TXD)

RXD on the application side will be connected to the transmit line (here named C104/RXD)

For a minimum implementation, only the TXD, RXD lines can be connected, the other lines can be left open provided a software flow control is implemented.

In order to avoid a back powering effect it is recommended to avoid having any HIGH logic level signal applied to the digital pins of the LE866 when the module is powered off or during a reboot transition.

5.6.2.2. MODEM SERIAL PORT 2 (USIF1)

The secondary serial port on the LE866 is a CMOS1.8V with only the RX and TX signals. The signals of the LE866 serial port are:

PAD	Signal	I/O	Function	Type
C1	TX_AUX	O	Auxiliary UART (TX Data to DTE)	CMOS 1.8V
C2	RX_AUX	I	Auxiliary UART (RX Data from DTE)	CMOS 1.8V



NOTE:

In order to avoid a back powering effect it is recommended to avoid having any HIGH logic level signal applied to the digital pins of the LE866 when the module is not supplied or during a reboot transition.

5.6.2.3. RS232 LEVEL TRANSLATION

In order to interface the LE866 with a PC com port or a RS232 (EIA/TIA-232) application a level translator is required. This level translator must:

- invert the electrical signal in both directions;
- Change the level from 0/1.8V to +15/-15V.

Actually, the RS232 UART 16450, 16550, 16650 & 16750 chipsets accept signals with lower levels on the RS232 side (EIA/TIA-562), allowing a lower voltage-multiplying ratio on the level translator. Note that the negative signal voltage must be less than 0V and hence some sort of level translation is always required.

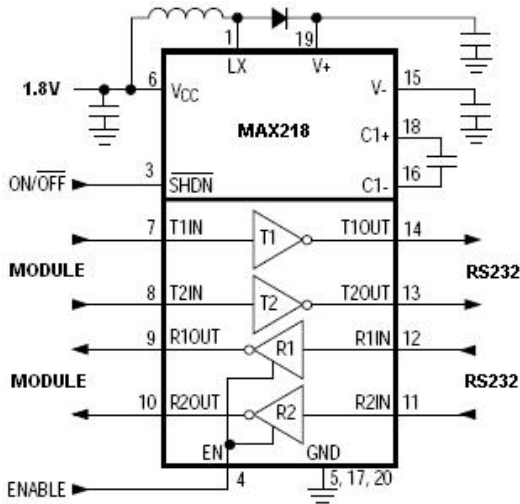
The simplest way to translate the levels and invert the signal is by using a single chip level translator. There are a multitude of them, differing in the number of drivers and receivers and in the levels (be sure to get a true RS232 level translator not a RS485 or other standards).

By convention the driver is the level translator from the 0-1.8V UART to the RS232 level. The receiver is the translator from the RS232 level to 0-1.8V UART.

In order to translate the whole set of control lines of the UART you will need:

- 5 drivers
- 3 receivers

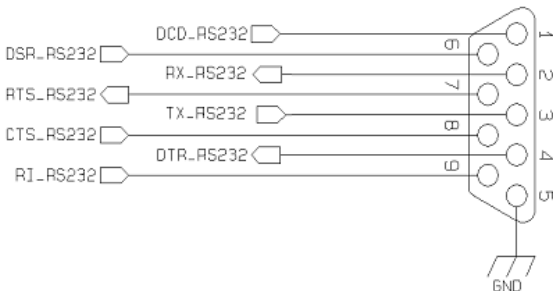
An example of RS232 level adaptation circuitry could be done using a MAXIM transceiver (MAX218). In this case the chipset is capable to translate directly from 1.8V to the RS232 levels (Example done on 4 signals only).



NOTE:

Ensure to have the translator's supply/enable synchronized with VDDIO_IN supply source. The preferred configuration is having it supplied from the same source used for VDDIO_IN.

The RS232 serial port lines are usually connected to a DB9 connector with the following layout:



5.7. General purpose I/O

The LE866 module is provided by a set of Configurable Digital Input / Output pins (CMOS 1.8V)

Input pads can only be read; they report the digital value (high or low) present on the pad at the read time.

Output pads can only be written or queried and set the value of the pad output.

An alternate function pad is internally controlled by the LE866 firmware and acts depending on the function implemented.

The following table shows the available GPIO on the LE866:

PAD	Signal	I/O	Default State	Note
C5	GPIO_01	I/O	INPUT	Alternate functions: Digital Audio Interface (WA0)
C6	GPIO_02	I/O	INPUT	Alternate functions: Digital Audio Interface (RX)
D6	GPIO_03	I/O	INPUT	Alternate functions: Digital Audio Interface (TX)
D5	GPIO_04	I/O	INPUT	Alternate functions: Digital Audio Interface (CLK)
B5	GPIO_05	I/O	INPUT	
B4	GPIO_06	I/O	INPUT	Alternate functions: ALARM
C4	GPIO_07	I/O	INPUT	Alternate functions: STAT LED

**NOTE:**

The internal GPIO's pull up/pull down could be set to the preferred status for the application using the AT#GPIO command. Please refer for the AT Commands User Guide for the detailed command Syntax.

**WARNING:**

During power up the GPIOs may be subject to transient glitches.

5.7.1. Using a GPIO as INPUT

The GPIO pads, when used as inputs, can be connected to a digital output of another device and report its status, provided this device has interface levels compatible with the 1.8V CMOS levels of the GPIO. If the digital output of the device to be connected with the GPIO input pad has interface levels different from the 1.8V CMOS, then it can be buffered with an open collector transistor with a 47K pull up to VAUX.

**NOTE:**

In order to avoid a back powering effect it is recommended to avoid having any HIGH logic level signal applied to the digital pins of the LE866 when the module is powered off or during a reboot transition. The VAUX_PWRMON pin can be used for input pull up reference or/and for ON monitoring.

5.7.2. Using a GPIO as OUTPUT

The GPIO pads, when used as outputs, can drive 1.8V CMOS digital devices or compatible hardware. When set as outputs, the pads have a push-pull output and therefore the pull-up resistor may be omitted.

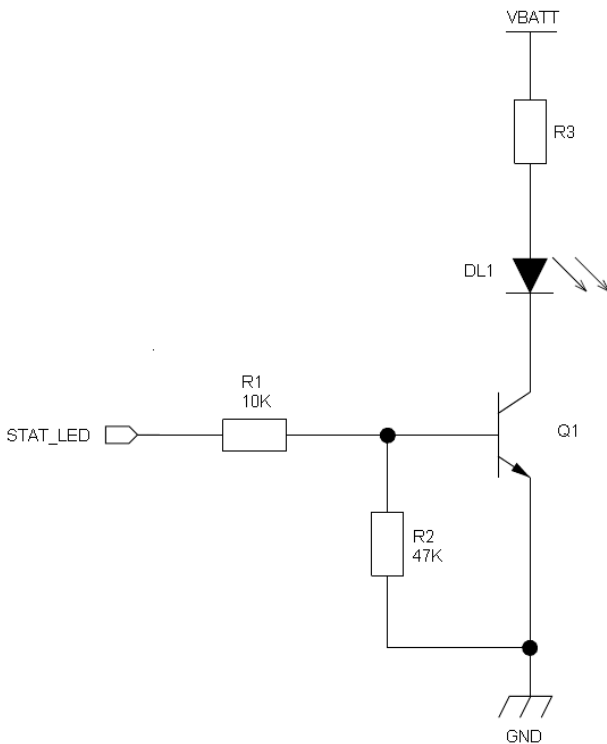
5.7.3. Indication of network service availability

The STAT_LED pin status shows information on the network service availability and Call status. The function is available as alternate function of GPIO_07 (to be enabled using the AT#GPIO=7,0,2 command).

In the LE866 modules, the STAT_LED needs an external transistor to drive an external LED. Therefore, the status indicated in the following table is reversed with respect to the pin status.

Device Status	Led Status
Device off	Permanently off
Not Registered	Permanently on
Registered in idle	Blinking 1sec on + 2 sec off
Registered in idle + power saving	It depends on the event that triggers the wakeup (In sync with network paging)
Voice Call Active	Permanently on
Dial-Up	Blinking 1 sec on + 2 sec off

A schematic example could be:



5.7.4. SIMIN Detection

All the GPIO pins can be used as SIM DETECT input. The AT Command used to enable the function is:

`AT#SIMINCFG`

Use the AT command **AT#SIMDET=2** to enable the SIMIN detection

Use the AT command **AT&W0** and **AT&P0** to store the SIMIN detection **in the common profile.**



NOTE:

Don't use the SIM IN function on the same pin where the GPIO function is enabled and viceversa.

5.8. External SIM Holder

Please refer to the related User Guide (SIM Holder Design Guides, 80000NT10001a).

5.9. ADC Converter

The LE866 is provided by one AD converter. It is able to read a voltage level in the range of 0÷1.2 volts applied on the ADC pin input, store and convert it into 10 bit word.

The input line is named as **ADC_IN1** and it is available on Pad **F4**

The following table is showing the ADC characteristics:

Item	Min	Typical	Max	Unit
Input Voltage range	0	-	1.0	Volt
AD conversion	-	-	10	bits

The ADC could be controlled using an AT command.

The command is **AT#ADC=1,2**

The read value is expressed in mV

Refer to SW User Guide or AT Commands Reference Guide for the full description of this function.

5.10. DAC Converter

The LE866 provides a Digital to Analog Converter. The signal (named DAC_OUT) is available on pin **E4** of the LE866. The on board DAC is a 10 bit converter, able to generate an analogue value based on a specific input in the range from 0 up to 1023. However, an external low-pass filter is necessary.

The following table is showing the ADC characteristics:

Item	Min	Max	Unit
Voltage range (filtered)	0	1.8	Volt
Range	0	1023	Steps

The precision is 10 bits so, if we consider that the maximum voltage is 2V, the integrated voltage could be calculated with the following formula:

$$\text{Integrated output voltage} = (2 * \text{value}) / 1023$$

DAC_OUT line must be integrated (for example with a low band pass filter) in order to obtain an analog voltage.

5.10.1. Enabling DAC

An *AT command* is available to use the DAC function.

The command is: **AT#DAC= [<enable> [, <value>]]**

<value> - scale factor of the integrated output voltage (0..1023 – 10 bit precision)

it must be present if **<enable>=1**

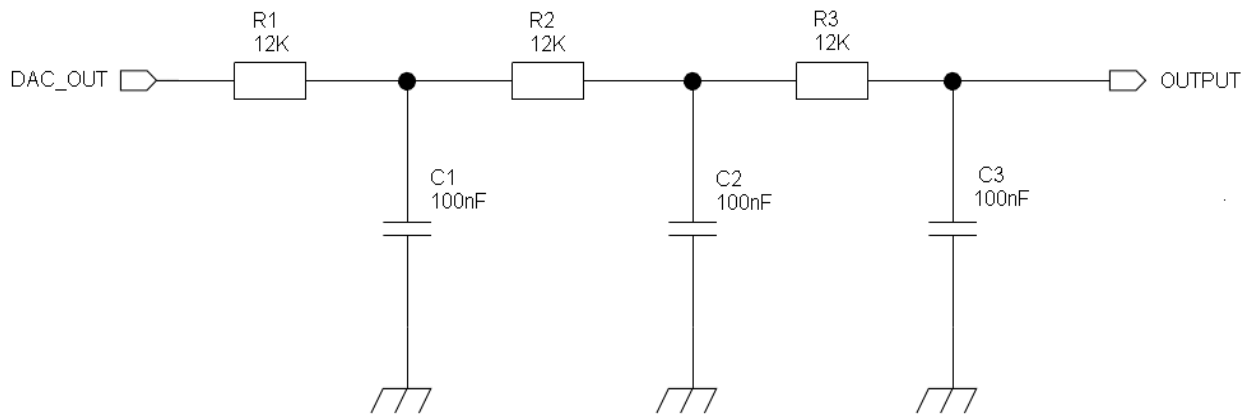
Refer to SW User Guide or AT Commands Reference Guide for the full description of this function.



NOTE:

The DAC frequency is selected internally. D/A converter must not be used during POWERSAVING.

5.10.2. LOW Pass filter Example



6. RF SECTION

6.1. Antenna requirements

6.1.1. Main Antenna

The antenna connection and board layout design are the most important aspect in the full product design as they strongly affect the product overall performances, hence read carefully and follow the requirements and the guidelines for a proper design.

The antenna and antenna transmission line on PCB for a Telit LE866 device shall fulfil the following requirements:

Item	Value
Frequency range	Depending by frequency band(s) provided by the network operator, the customer shall use the most suitable antenna for that/those band(s)
Bandwidth	LTE Band I (2100) : 250 MHz LTE Band II (1900) : 140 MHz LTE Band III (1800) : 170 MHz LTE Band IV (1700) : 445 MHz LTE Band V (850) : 70 MHz LTE Band VIII (900) : 80 MHz LTE Band XII (700) : 47 MHz LTE Band XIII (700) : 41 MHz
Impedance	50 ohm
Input power	> 24dBm Average power
VSWR absolute max	≤ 10:1 (limit to avoid permanent damage)
VSWR recommended	≤ 2:1 (limit to fulfill all regulatory requirements)

6.1.2. PCB Design guidelines

When using the LE866, since there's no antenna connector on the module, the antenna must be connected to the LE866 antenna pad by means of a transmission line implemented on the PCB.

In the case the antenna is not directly connected at the antenna pad of the LE866, then a PCB line is needed in order to connect with it or with its connector.

This transmission line shall fulfil the following requirements:

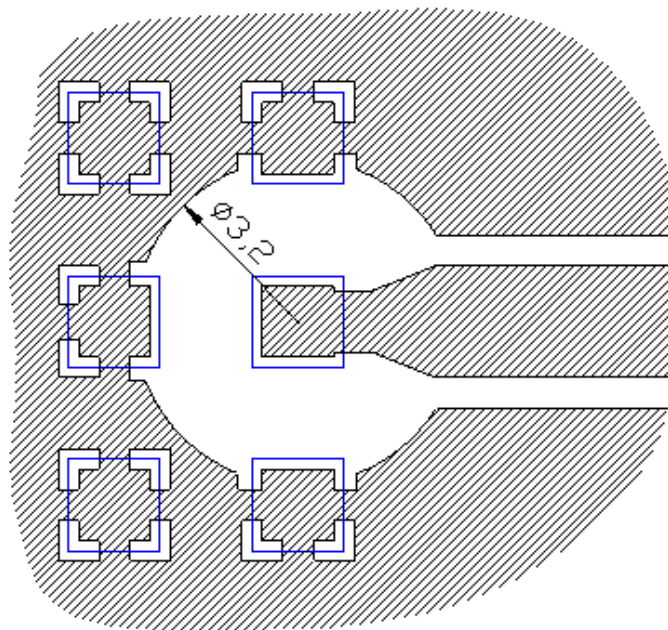
Item	Value
Characteristic Impedance	50 ohm
Max Attenuation	0,3 dB
Coupling	Coupling with other signals shall be avoided
Ground Plane	Cold End (Ground Plane) of antenna shall be equipotential to the LE866 ground pins

The transmission line should be designed according to the following guidelines:

- Ensure that the antenna line impedance is 50 ohm;
- Keep the antenna line on the PCB as short as possible, since the antenna line loss shall be less than 0,3 dB;
- Antenna line must have uniform characteristics, constant cross section; avoid meanders and abrupt curves;
- Keep, if possible, one layer of the PCB used only for the Ground plane;
- Surround (on the sides, over and under) the antenna line on PCB with Ground, avoid having other signal tracks facing directly the antenna line track;
- The ground around the antenna line on PCB has to be strictly connected to the Ground Plane by placing vias every 2mm at least;
- Place EM noisy devices as far as possible from LE866 antenna line;
- Keep the antenna line far away from the LE866 power supply lines;
- If you have EM noisy devices around the PCB hosting the LE866, such as fast switching Ics, take care of the shielding of the antenna line by burying it inside the layers of PCB and surround it with Ground planes, or shield it with a metal frame cover.

- If you don't have EM noisy devices around the PCB of LE866, by using a micro strip on the superficial copper layer for the antenna line, the line attenuation will be lower than a buried one;

The following image is showing the suggested layout for the Antenna pad connection (dimensions in mm):



6.1.3. PCB Guidelines in case of FCC Certification

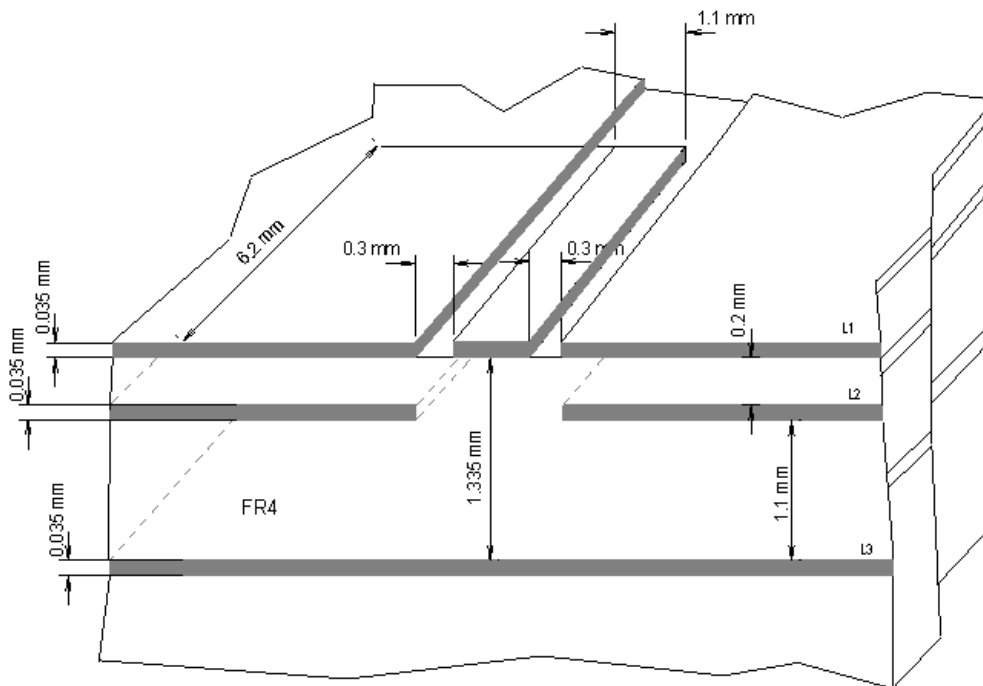
In the case FCC certification is required for an application using LE866, according to FCC KDB 996369 for modular approval requirements, the transmission line has to be similar to that implemented on LE866 interface board and described in the following chapter.

6.1.3.1. Transmission line design

During the design of the LE866 interface board, the placement of components has been chosen properly, in order to keep the line length as short as possible, thus leading to lowest power losses possible. A Grounded Coplanar Waveguide (G-CPW) line has been chosen, since this kind of transmission line ensures good impedance control and can be implemented in an outer PCB layer as needed in this case. A SMA female connector has been used to feed the line.

The interface board is realized on a FR4, 4-layers PCB. Substrate material is characterized by relative permittivity $\epsilon_r = 4.6 \pm 0.4 @ 1 \text{ GHz}$, $\text{TanD} = 0.019 \div 0.026 @ 1 \text{ GHz}$.

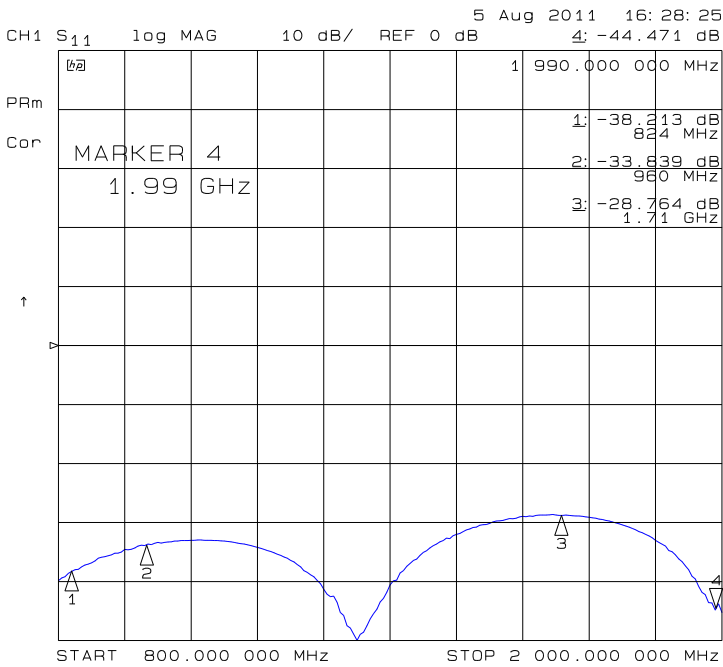
A characteristic impedance of nearly 50Ω is achieved using trace width = 1.1 mm , clearance from coplanar ground plane = 0.3 mm each side. The line uses reference ground plane on layer 3, while copper is removed from layer 2 underneath the line. Height of trace above ground plane is 1.335 mm . Calculated characteristic impedance is 51.6Ω , estimated line loss is less than 0.1 dB . The line geometry is shown below:



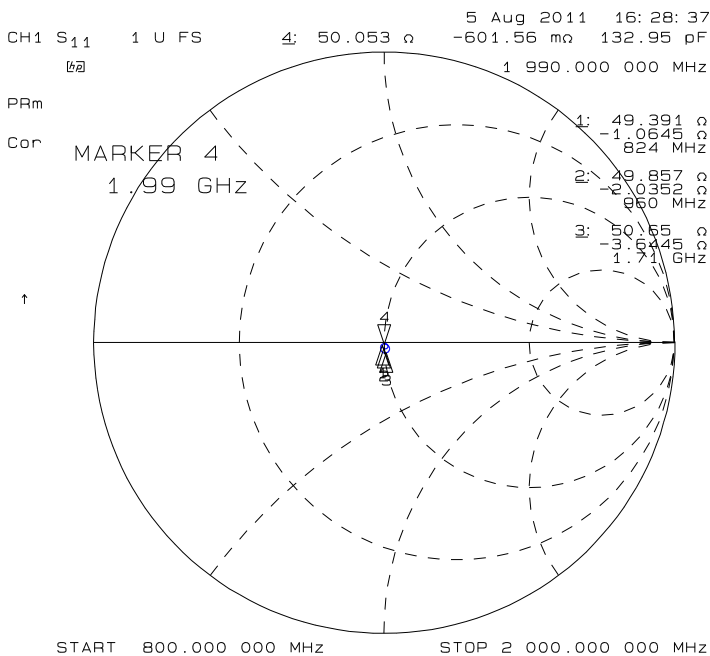
6.1.3.2. Transmission Line Measurements

An HP8753E VNA (Full-2-port calibration) has been used in this measurement session. A calibrated coaxial cable has been soldered at the pad corresponding to RF output; a SMA connector has been soldered to the board in order to characterize the losses of the transmission line including the connector itself. During Return Loss / impedance measurements, the transmission line has been terminated to 50Ω load.

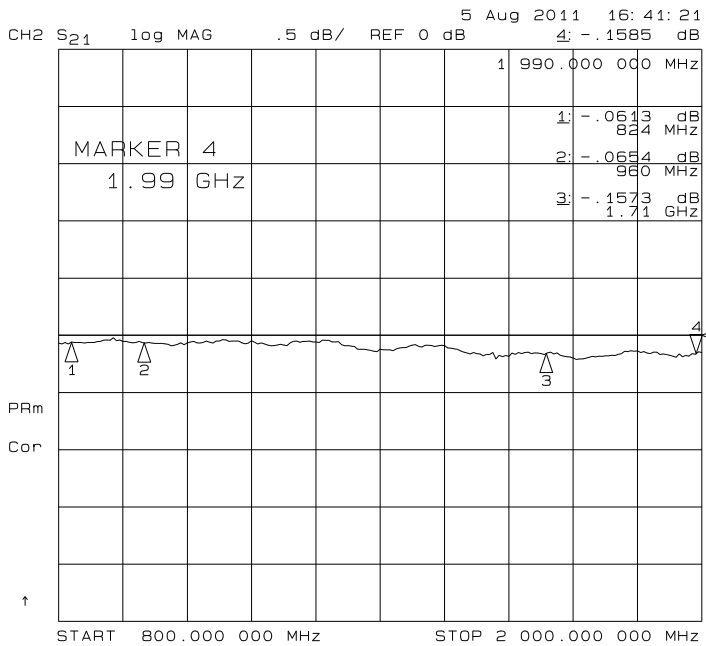
Return Loss plot of line under test is shown below:



Line input impedance (in Smith Chart format, once the line has been terminated to 50 Ω load) is shown in the following figure:



Insertion Loss of G-CPW line plus SMA connector is shown below:



6.1.3.3. Antenna Installation Guidelines

Install the antenna in a place covered by the LTE signal.

If the device antenna is located farther than 20cm from the human body and there are no co-located transmitter then the Telit FCC/IC approvals can be re-used by the end product.

If the device antenna is located closer than 20cm from the human body or there are co-located transmitter then the additional FCC/IC testing may be required for the end product (Telit FCC/IC approvals cannot be reused).

Antenna shall not be installed inside metal cases.

Antenna shall be installed also according to antenna manufacturer instructions.

6.2. Second Antenna requirements

This product is including an input for a second RX antenna to improve the data throughput. The function is called Antenna Diversity (downlink MIMO) in LTE.

Item	Value
Frequency range	Depending by frequency band(s) provided by the network operator, the customer shall use the most suitable antenna for that/those band(s)
Bandwidth	LTE Band I (2100) : 60 MHz LTE Band II (1900) : 60 MHz LTE Band III (1800) : 170 MHz LTE Band IV (1700) : 45 MHz LTE Band V (850) : 25 MHz LTE Band VIII (900) : 80 MHz LTE Band XII (700) : 17 MHz LTE Band XIII (700) : 10 MHz
Impedance	50 ohm
VSWR recommended	$\leq 2:1$ (recommended for the best sensitivity performance)

The second Rx antenna should not be located in the close vicinity of main antenna. In order to improve Diversity Gain, Isolation and reduce mutual interaction, the two antennas should be located at the maximum reciprocal distance possible, taking into consideration the available space into the application. For the same reason, the Rx antenna should also be cross-polarized with respect to the main antenna.

Isolation between main antenna and Rx antenna must be at least 10 dB in all uplink frequency bands.

Envelope Correlation Coefficient (ECC) value should be as close as possible to zero, for best diversity performance. ECC values below 0.5 on all frequency bands are recommended.

6.2.1. Single Antenna Operation

In 4G LTE mode, 3GPP standard does not include single antenna operation because MIMO is the standard downlink configuration in this cellular system and because of reduced overall downlink performance when one or more neighbor cells are present. Nevertheless, LE866 might be used with second antenna removed or not connected if this degradation in performance is accepted: for some MNOs, for example, a single receive antenna could be permissible with Cat.1 devices that operates at very low data rates (integrators should always refer to their network-provider to double check requirements applicability conditions).

When possible, add a 50ohm (or 47ohm) resistor in order to terminate correctly the secondary receiver input and/or to provide antenna connection for test/debug purposes.



NOTE:

The Single Antenna configuration has to be activated using the AT#RXDIV command. Please refer to the AT User Guide for the detailed command's syntax.

7. AUDIO SECTION

The Telit digital audio interface (DVI) of the LE910-V2 Module is based on the I2S serial bus interface standard. The audio port can be directly connected to end device using digital interface, or via one of the several compliant codecs (in case an analog audio is needed).

The following table is listing the modules supporting the Digital Audio:

Model	Audio Supported (Yes/No)
LE866-SV1	YES
LE866A1-KK	NO
LE866A1-KS	NO
LE866A1-NA	NO
LE866A1-JS	NO

7.1. Electrical Characteristics

The LE866 Module is provided by one DVI digital voice interface.

The Signals are available on the following Pads and alternate function of the GPIOs:

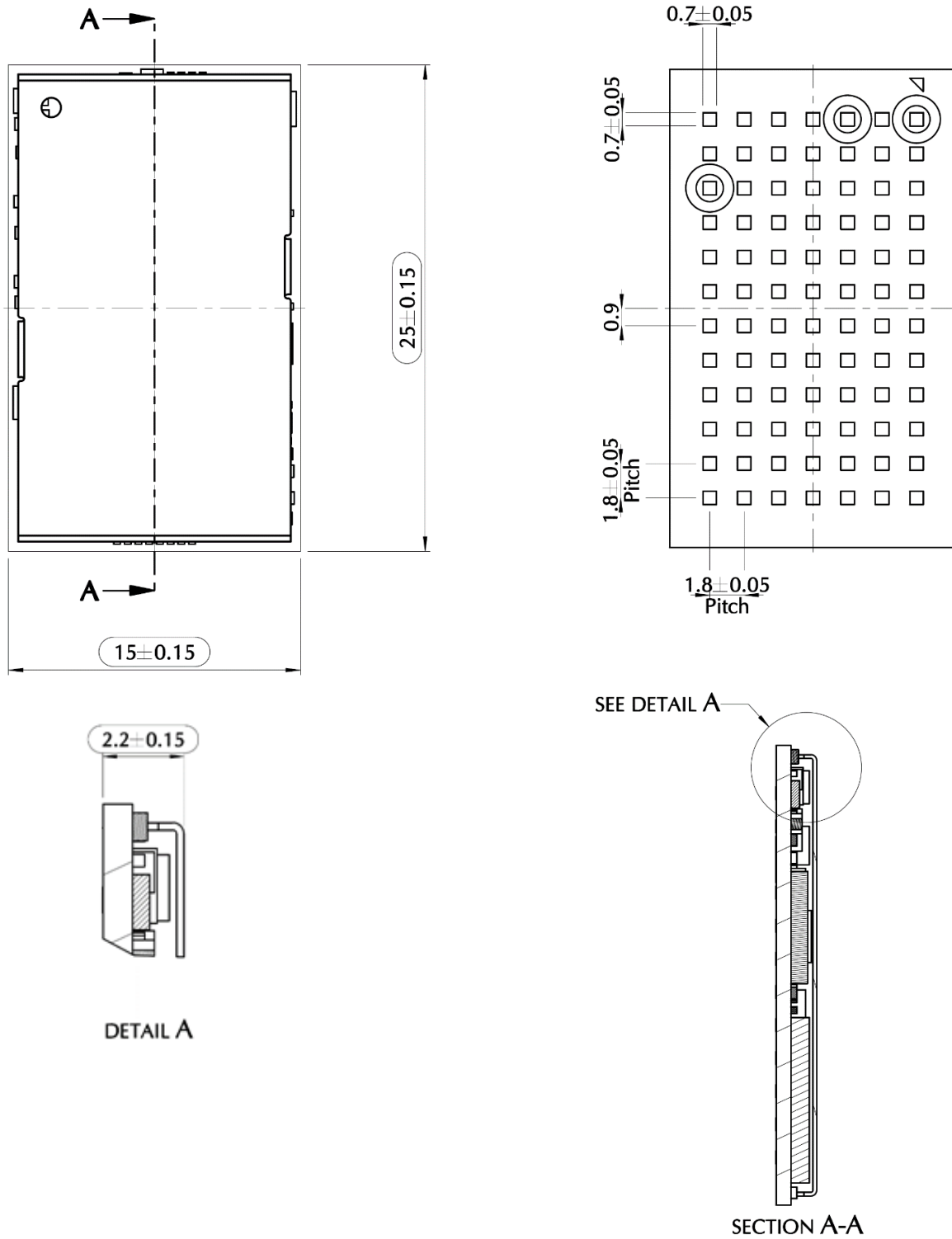
PAD	Signal	I/O	Function
C5	DVI_WA0	I/O	Digital Voice Interface (Word Alignment / LRCLK)
C6	DVI_RX	I	Digital Voice Interface (RX)
D6	DVI_TX	O	Digital Voice Interface (TX)
D5	DVI_CLK	I/O	Digital Voice Interface (BCLK)

7.2. Codec examples

Please refer to the Digital Audio Application note.

8. MECHANICAL DESIGN

Drawing

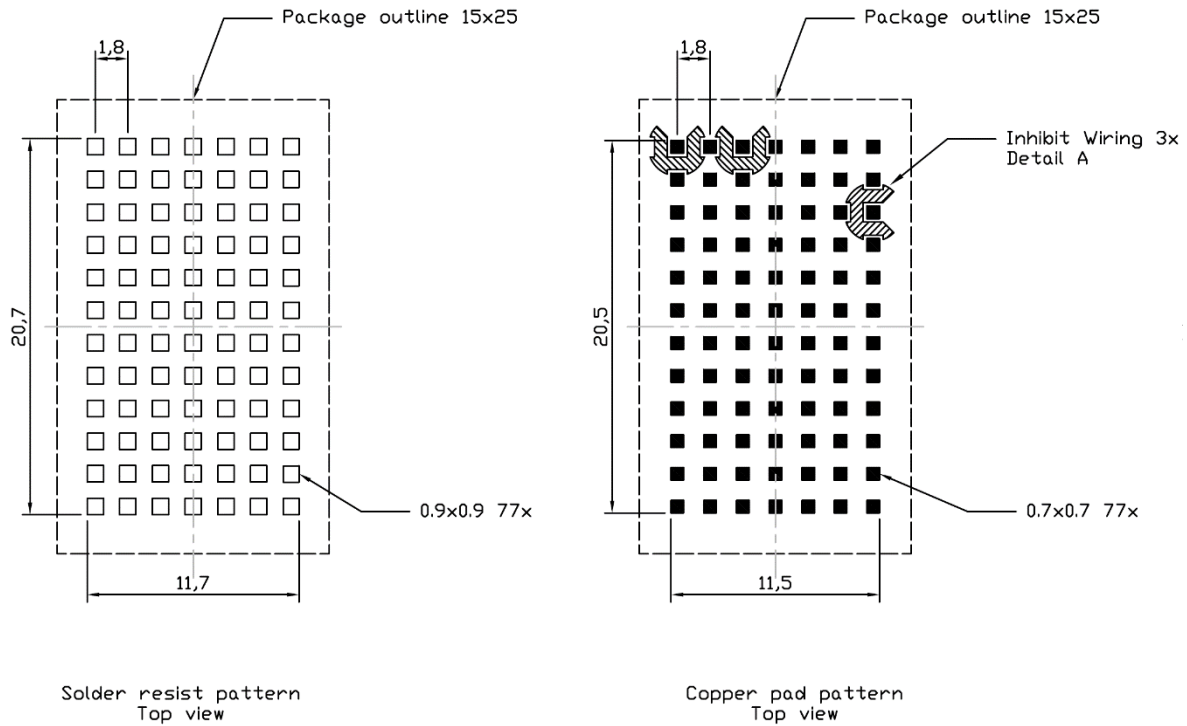


NOTE: The dimensions are in mm

9. APPLICATION PCB DESIGN

The LE866 modules have been designed in order to be compliant with a standard lead-free SMT process.

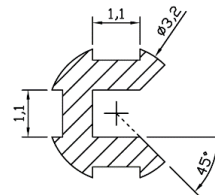
9.1. Footprint



Units: mm

General Tolerance ± 0.05

Angular Tolerance $\pm 1^\circ$



Detail A

In order to easily rework the LE866 is suggested to consider on the application a 1.5 mm placement inhibit area around the module. It is also suggested, as common rule for an SMT component, to avoid having a mechanical part of the application in direct contact with the module.

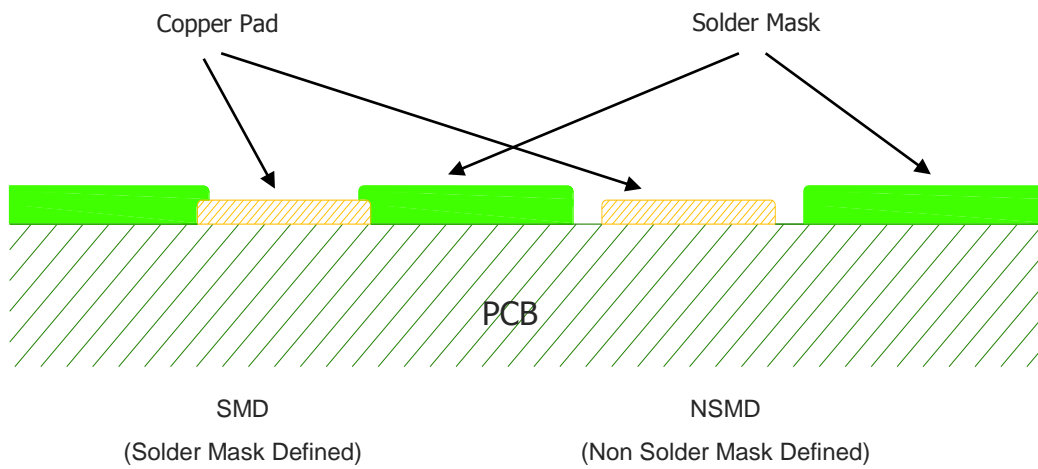


NOTE:

In the customer application, the region under WIRING INHIBIT (see figure above) must be clear from signal or ground paths.

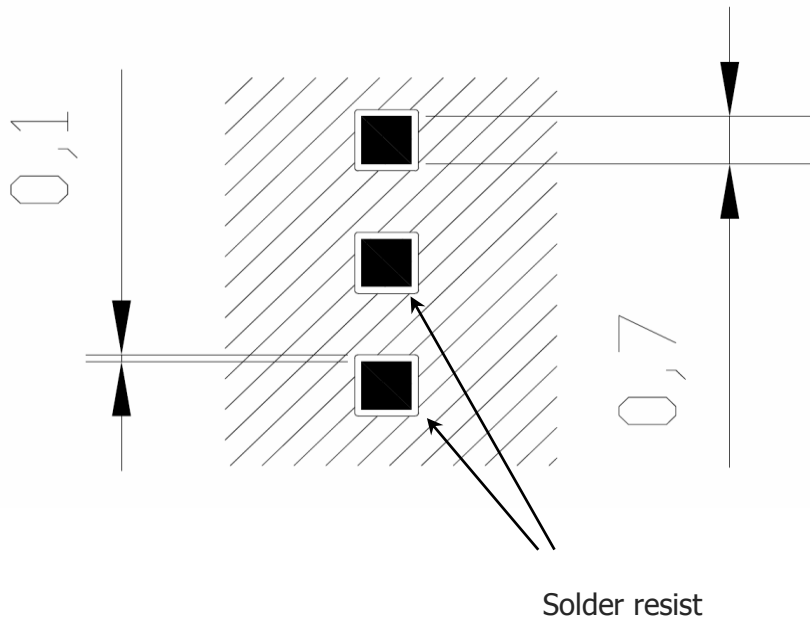
9.2. PCB pad design

Non solder mask defined (NSMD) type is recommended for the solder pads on the PCB.

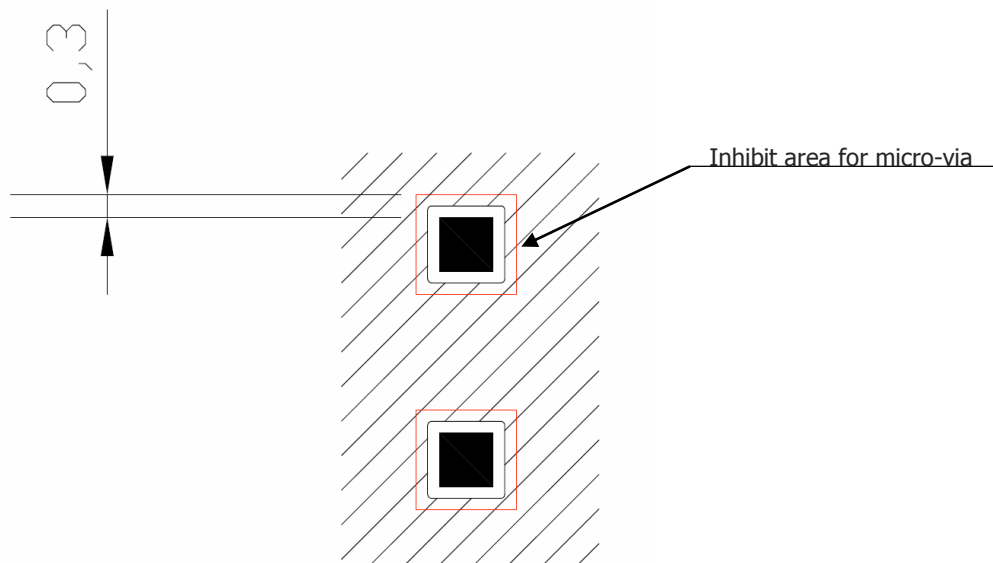


9.3. PCB pad dimensions

The recommendation for the PCB pads dimensions are described in the following image (dimensions in mm)



It is not recommended to place via or micro-via not covered by solder resist in an area of 0,3 mm around the pads unless it carries the same signal of the pad itself.



Holes in pad are allowed only for blind holes and not for through holes.

Recommendations for PCB pad surfaces:

Finish	Layer Thickness (um)	Properties
Electro-less Ni / Immersion Au	3 –7 / 0.05 – 0.15	good solder ability protection, high shear force values

The PCB must be able to resist the higher temperatures which are occurring at the lead-free process. This issue should be discussed with the PCB-supplier. Generally, the wettability of tin-lead solder paste on the described surface plating is better compared to lead-free solder paste.

It is not necessary to panel the application's PCB, however in that case it is suggested to use milled contours and predrilled board breakouts; scoring or v-cut solutions are not recommended.

9.4. Stencil

Stencil's apertures layout can be the same of the recommended footprint (1:1), we suggest a thickness of stencil foil $\geq 120 \mu\text{m}$.

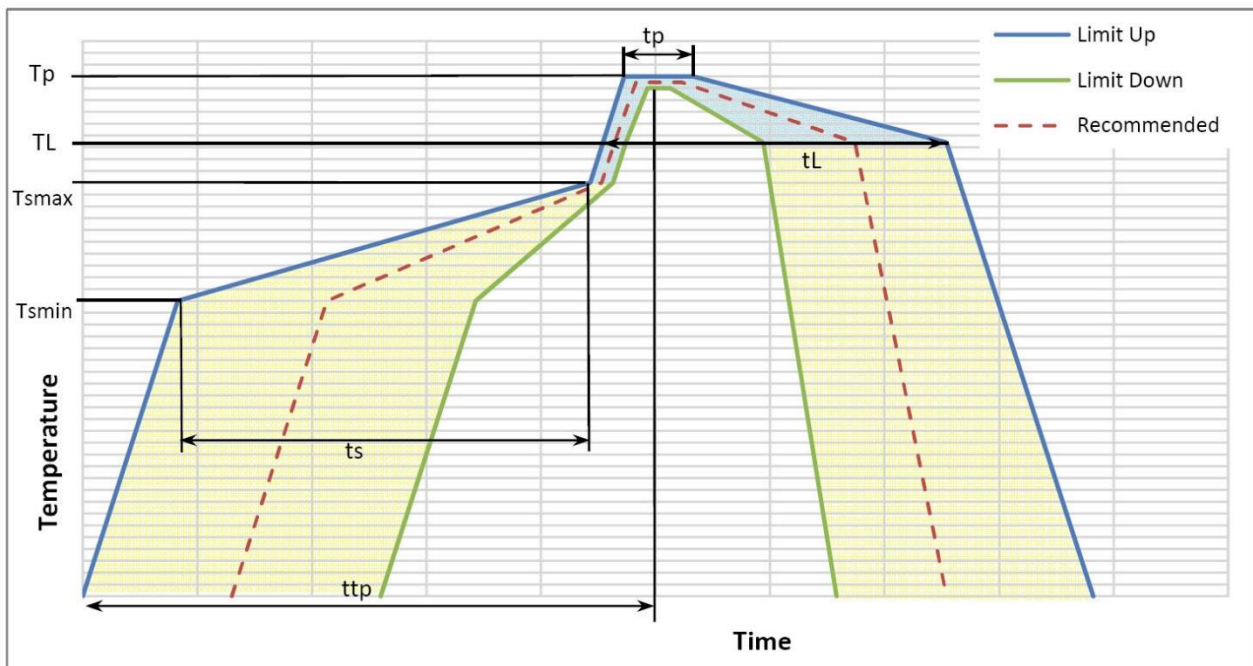
9.5. Solder paste

Item	Lead Free
Solder Paste	Sn/Ag/Cu

We recommend using only “no clean” solder paste in order to avoid the cleaning of the modules after assembly.

9.6. Solder Reflow

Recommended solder reflow profile:



Profile Feature	Pb-Free Assembly
Average ramp-up rate (T_L to T_P)	3°C/second max
Preheat	
– Temperature Min (T_{smin})	150°C
– Temperature Max (T_{smax})	200°C
– Time (min to max) (ts)	60-180 seconds
T_{smax} to T_L	
– Ramp-up Rate	3°C/second max
Time maintained above:	
– Temperature (T_L)	217°C
– Time (t_L)	60-150 seconds
Peak Temperature (T_p)	245 +0/-5°C
Time within 5°C of actual Peak Temperature (t_p)	10-30 seconds
Ramp-down Rate	6°C/second max.
Time 25°C to Peak Temperature	8 minutes max.

**NOTE:**

All temperatures refer to topside of the package, measured on the package body surface

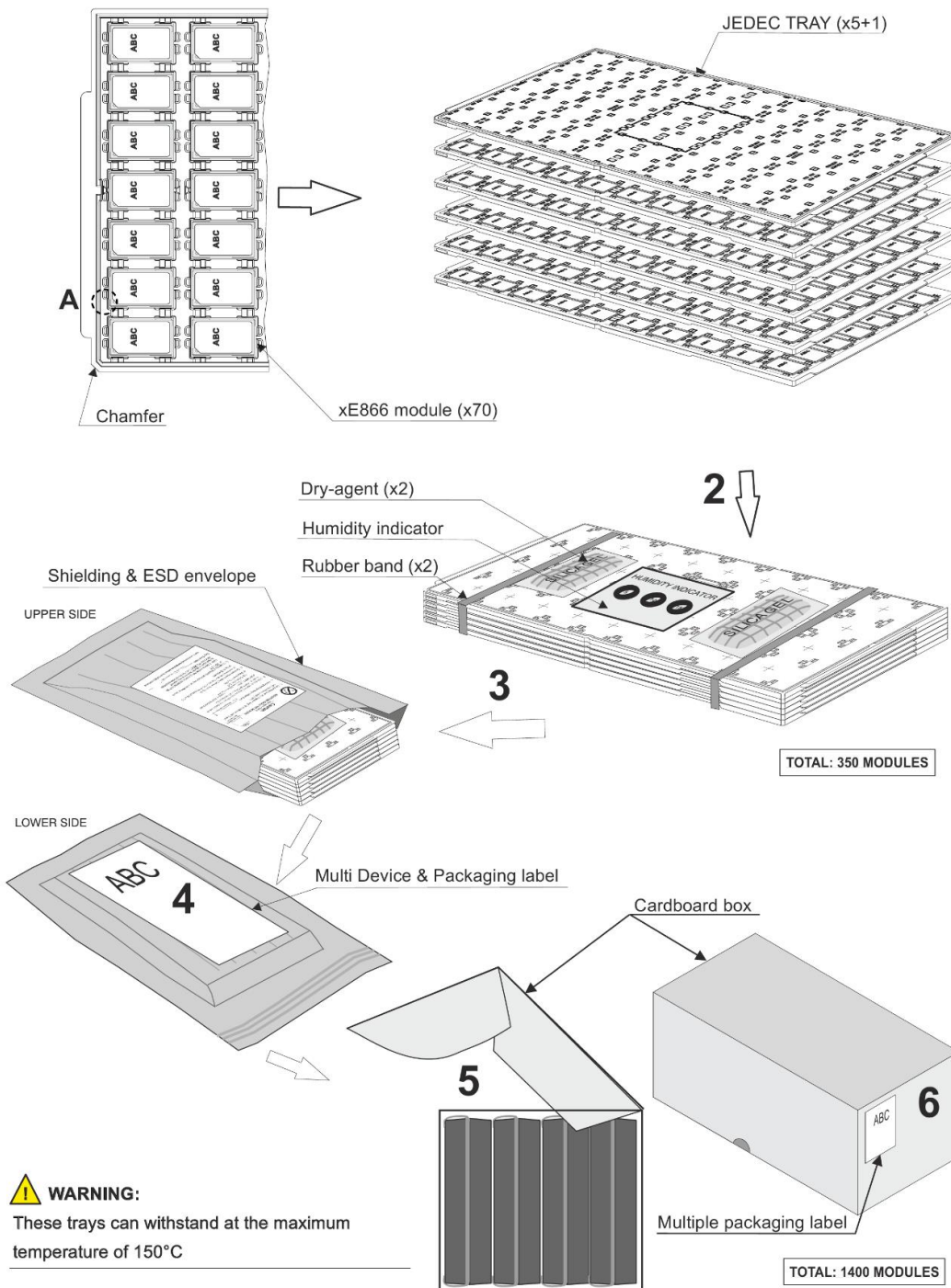
**WARNING:**

THE LE866 MODULE WITHSTANDS ONE REFLOW PROCESS ONLY.

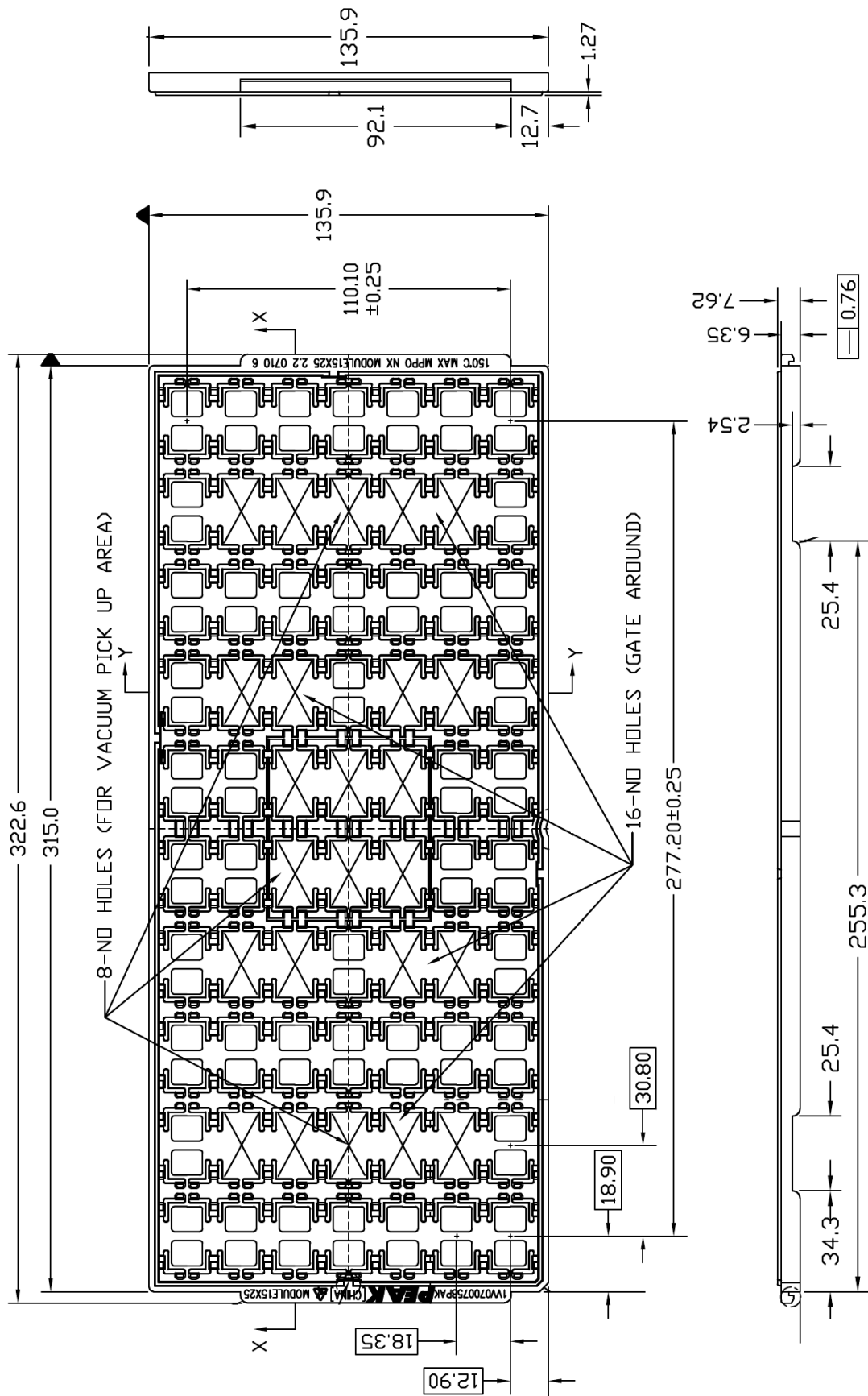
10. PACKAGING

10.1. Tray

The LE866 modules are packaged on trays of **70** pieces each. These trays can be used in SMT processes for pick & place handling.



⚠ WARNING:
 These trays can withstand at the maximum temperature of 150°C



10.2. Moisture sensitivity

The LE866 is a Moisture Sensitive Device level 3, in according with standard IPC/JEDEC J-STD-020, take care all the relatives requirements for using this kind of components.

Moreover, the customer has to take care of the following conditions:

- a) Calculated shelf life in sealed bag: 12 months at <math><40^{\circ}\text{C}</math> and <math><90\%</math> relative humidity (RH).
- b) Environmental condition during the production: 30°C / 60% RH according to IPC/JEDEC J-STD-033A paragraph 5.
- c) The maximum time between the opening of the sealed bag and the reflow process must be 168 hours if condition b) "IPC/JEDEC J-STD-033A paragraph 5.2" is respected
- d) Baking is required if conditions b) or c) are not respected
- e) Baking is required if the humidity indicator inside the bag indicates 10% RH or more.

11. CONFORMITY ASSESSMENT ISSUES

11.1. Approvals

- GCF (LE866-SV1)
- PTCRB (LE866A1-NA)
- FCC, IC (LE866A1-NA, LE866-SV1)
- KC (LE866A1-KK, LE866A1-KS)
- JRL (a.k.a. TELEC) / JTBL (a.k.a. JATE) (LE866A1-JS)
- RoHS and REACH (all versions)
- Approvals for major Mobile Network Operators

11.2. Declaration of Conformity

The DoC is available here: <http://www.telit.com/RED/>

11.3. FCC certificates

The FCC Certificate is available here: <https://www.fcc.gov/oet/ea/fccid>

11.4. IC/ISED certificates

The ISED Certificate is available here:

<https://sms-sgs.ic.gc.ca/equipmentSearch/searchRadioEquipments?execution=e1s1&lang=en>

11.5. FCC/ISED Regulatory notices LE866-SV1

Modification statement

Telit has not approved any changes or modifications to this device by the user. Any changes or modifications could void the user's authority to operate the equipment.

Telit n'approuve aucune modification apportée à l'appareil par l'utilisateur, quelle qu'en soit la nature. Tout changement ou modification peuvent annuler le droit d'utilisation de l'appareil par l'utilisateur.

Interference statement

This device complies with Part 15 of the FCC Rules and Industry Canada licence-exempt RSS standard(s). Operation is subject to the following two conditions: (1) this device may not cause interference, and (2) this device must accept any interference, including interference that may cause undesired operation of the device.

Le présent appareil est conforme aux CNR d'Industrie Canada applicables aux appareils radio exempts de licence. L'exploitation est autorisée aux deux conditions suivantes : (1) l'appareil ne doit pas produire de brouillage, et (2) l'utilisateur de l'appareil doit accepter tout brouillage radioélectrique subi, même si le brouillage est susceptible d'en compromettre le fonctionnement.

RF exposure

This equipment complies with FCC radiation exposure limits set forth for an uncontrolled environment. The antenna should be installed and operated with minimum distance of 20 cm between the radiator and your body. Antenna gain must be below:

Product	Band	Antenna Gain (dBi)
LE866-SV1	LTE FDD B4	12.9
	LTE FDD B13	6.0

Cet appareil est conforme aux limites d'exposition aux rayonnements de l'ISED pour un environnement non contrôlé. L'antenne doit être installée de façon à garder une distance minimale de 20 centimètres entre la source de rayonnements et votre corps. Gain de l'antenne doit être ci-dessous :

Product	Band	Antenna Gain (dBi)
LE866-SV1	LTE FDD B4	12.9
	LTE FDD B13	6.0

This transmitter must not be co-located or operating in conjunction with any other antenna or transmitter.

L'émetteur ne doit pas être colocalisé ni fonctionner conjointement avec à autre antenne ou autre émetteur.

FCC Class B digital device notice

This equipment has been tested and found to comply with the limits for a Class B digital device, pursuant to part 15 of the FCC Rules. These limits are designed to provide reasonable protection against harmful interference in a residential installation. This equipment generates, uses and can radiate radio frequency energy and, if not installed and used in accordance with the instructions, may cause harmful interference to radio communications. However, there is no guarantee that interference will not occur in a particular installation. If this equipment does cause harmful interference to radio or television reception, which can be determined by turning the equipment off and on, the user is encouraged to try to correct the interference by one or more of the following measures:

- Reorient or relocate the receiving antenna.
- Increase the separation between the equipment and receiver.
- Connect the equipment into an outlet on a circuit different from that to which the receiver is connected.
- Consult the dealer or an experienced radio/TV technician for help.

Labelling Requirements for the Host device

The host device shall be properly labelled to identify the modules within the host device. The certification label of the module shall be clearly visible at all times when installed in the host device, otherwise the host device must be labelled to display the FCC ID and ISED of the module, preceded by the words “Contains transmitter module”, or the word “Contains”, or similar wording expressing the same meaning, as follows:

L'appareil hôte doit être étiqueté comme il faut pour permettre l'identification des modules qui s'y trouvent. L'étiquette de certification du module donné doit être posée sur l'appareil hôte à un endroit bien en vue en tout temps. En l'absence d'étiquette, l'appareil hôte doit porter une étiquette donnant le FCC ID et l'ISED du module, précédé des mots « Contient un module d'émission », du mot « Contient » ou d'une formulation similaire exprimant le même sens, comme suit :

LE866-SV1

Contains FCC ID : RI7LE866SV1

Contains IC : 5131A-LE866SV1

CAN ICES-3 (B) / NMB-3 (B)

This Class B digital apparatus complies with Canadian ICES-003.

Cet appareil numérique de classe B est conforme à la norme canadienne ICES-003.

11.6. FCC/ISED Regulatory notices LE866A1-NA

Modification statement

Telit has not approved any changes or modifications to this device by the user. Any changes or modifications could void the user's authority to operate the equipment.

Telit n'approuve aucune modification apportée à l'appareil par l'utilisateur, quelle qu'en soit la nature. Tout changement ou modification peuvent annuler le droit d'utilisation de l'appareil par l'utilisateur.

Interference statement

This device complies with Part 15 of the FCC Rules and Industry Canada licence-exempt RSS standard(s). Operation is subject to the following two conditions: (1) this device may not cause interference, and (2) this device must accept any interference, including interference that may cause undesired operation of the device.

Le présent appareil est conforme aux CNR d'Industrie Canada applicables aux appareils radio exempts de licence. L'exploitation est autorisée aux deux conditions suivantes : (1) l'appareil ne doit pas produire de brouillage, et (2) l'utilisateur de l'appareil doit accepter tout brouillage radioélectrique subi, même si le brouillage est susceptible d'en compromettre le fonctionnement.

RF exposure

This equipment complies with FCC radiation exposure limits set forth for an uncontrolled environment. The antenna should be installed and operated with minimum distance of 20 cm between the radiator and your body. For FCC the Max antenna gain must be as in below table:

Product	Band	Antenna Gain
LE866A1-NA	Max Gain in Lower operational Band f < 1GHz (LTE Band 12)	9.70 dBi
	Max Gain in Higher operational Band (1700 MHz) (LTE Band 4)	6.00 dBi
	Max Gain in Higher operational Band (1900 MHz) (LTE Band 2)	9.01 dBi

Cet appareil est conforme aux limites d'exposition aux rayonnements de l'ISED pour un environnement non contrôlé. L'antenne doit être installée de façon à garder une distance minimale de 20 centimètres entre la source de rayonnements et votre corps. Gain de l'antenne doit être ci-dessous :

Product	Band	Antenna Gain
LE866A1-NA	Max Gain in Lower operational Band $f < 1\text{GHz}$ (LTE Band 12)	6.61 dBi
	Max Gain in Higher operational Band (1700 MHz) (LTE Band 4)	6.00 dBi
	Max Gain in Higher operational Band (1900 MHz) (LTE Band 2)	9.01 dBi

If the device has to be compliant to FCC and ISED the limits are the following:

Product	Band	Antenna Gain
LE866A1-NA	Max Gain in Lower operational Band $f < 1\text{GHz}$ (LTE Band 12)	6.61 dBi
	Max Gain in Higher operational Band (1700 MHz) (LTE Band 4)	6.00 dBi
	Max Gain in Higher operational Band (1900 MHz) (LTE Band 2)	9.01 dBi

This transmitter must not be co-located or operating in conjunction with any other antenna or transmitter.

L'émetteur ne doit pas être colocalisé ni fonctionner conjointement avec à autre antenne ou autre émetteur.

FCC Class B digital device notice

This equipment has been tested and found to comply with the limits for a Class B digital device, pursuant to part 15 of the FCC Rules. These limits are designed to provide reasonable protection against harmful interference in a residential installation. This equipment generates, uses and can radiate radio frequency energy and, if not installed and used in accordance with the instructions, may cause harmful interference to radio communications. However, there is no guarantee that interference will not occur in a particular installation. If this equipment does cause harmful interference to radio or

television reception, which can be determined by turning the equipment off and on, the user is encouraged to try to correct the interference by one or more of the following measures:

- Reorient or relocate the receiving antenna.
- Increase the separation between the equipment and receiver.
- Connect the equipment into an outlet on a circuit different from that to which the receiver is connected.
- Consult the dealer or an experienced radio/TV technician for help.

Labelling Requirements for the Host device

The host device shall be properly labelled to identify the modules within the host device. The certification label of the module shall be clearly visible at all times when installed in the host device, otherwise the host device must be labelled to display the FCC ID and ISED of the module, preceded by the words “Contains transmitter module”, or the word “Contains”, or similar wording expressing the same meaning, as follows:

L'appareil hôte doit être étiqueté comme il faut pour permettre l'identification des modules qui s'y trouvent. L'étiquette de certification du module donné doit être posée sur l'appareil hôte à un endroit bien en vue en tout temps. En l'absence d'étiquette, l'appareil hôte doit porter une étiquette donnant le FCC ID et l'ISED du module, précédé des mots « Contient un module d'émission », du mot « Contient » ou d'une formulation similaire exprimant le même sens, comme suit :

LE866A1-NA

Contains FCC ID : RI7XE866A1NA

Contains IC : 5131A-XE866A1NA

CAN ICES-3 (B) / NMB-3 (B)

This Class B digital apparatus complies with Canadian ICES-003.

Cet appareil numérique de classe B est conforme à la norme canadienne ICES-003.

12. SAFETY RECOMMENDATIONS

12.1. READ CAREFULLY

Be sure the use of this product is allowed in the country and in the environment required. The use of this product may be dangerous and has to be avoided in the following areas:

- Where it can interfere with other electronic devices in environments such as hospitals, airports, aircrafts, etc.
- Where there is risk of explosion such as gasoline stations, oil refineries, etc. It is the responsibility of the user to enforce the country regulation and the specific environment regulation.

Do not disassemble the product; any mark of tampering will compromise the warranty validity. We recommend following the instructions of the hardware user guides for correct wiring of the product. The product has to be supplied with a stabilized voltage source and the wiring has to be conformed to the security and fire prevention regulations. The product has to be handled with care, avoiding any contact with the pins because electrostatic discharges may damage the product itself. Same cautions have to be taken for the SIM, checking carefully the instruction for its use. Do not insert or remove the SIM when the product is in power saving mode.

The system integrator is responsible for the functioning of the final product; therefore, care has to be taken to the external components of the module, as well as any project or installation issue, because the risk of disturbing the LTE network or external devices or having impact on the security. Should there be any doubt, please refer to the technical documentation and the regulations in force. Every module has to be equipped with a proper antenna with specific characteristics. The antenna has to be installed with care in order to avoid any interference with other electronic devices and has to guarantee a minimum distance from the body (20 cm). In case this requirement cannot be satisfied, the system integrator has to assess the final product against the SAR regulation.

The European Community provides some Directives for the electronic equipment introduced on the market. All of the relevant information is available on the European Community website:

<http://ec.europa.eu/enterprise/sectors/rtte/documents/>

The text of the Directive 99/05 regarding telecommunication equipment is available, while the applicable Directives (Low Voltage and EMC) are available at:

<http://ec.europa.eu/enterprise/sectors/electrical/>

13. REFERENCE TABLE OF RF BANDS CHARACTERISTICS

Mode	Freq. Tx (MHz)	Freq. Rx (MHz)	Channels	Tx-Rx Offset
PCS 1900	1850.2 ~ 1909.8	1930.2 ~ 1989.8	512 ~ 810	80 MHz
DCS 1800	1710 ~ 1785	1805 ~ 1880	512 ~ 885	95 MHz
GSM 850	824.2 ~ 848.8	869.2 ~ 893.8	128 ~ 251	45 MHz
EGSM 900	890 ~ 915	935 ~ 960	0 ~ 124	45 MHz
	880 ~ 890	925 ~ 935	975 ~ 1023	45 MHz
WCDMA 2100 – B1	1920 ~ 1980	2110 ~ 2170	Tx: 9612 ~ 9888 Rx: 10562 ~ 10838	190 MHz
WCDMA 1900 – B2	1850 ~ 1910	1930 ~ 1990	Tx: 9262 ~ 9538 Rx: 9662 ~ 9938	80 MHz
WCDMA 1800 – B3	1710 ~ 1785	1805 ~ 1880	Tx: 937 ~ 1288 Rx: 1162 ~ 1513	95 MHz
WCDMA AWS – B4	1710 ~ 1755	2110 ~ 2155	Tx: 1312 ~ 1513 Rx: 1537 ~ 1738	400 MHz
WCDMA 850 – B5	824 ~ 849	869 ~ 894	Tx: 4132 ~ 4233 Rx: 4357 ~ 4458	45 MHz
WCDMA 900 – B8	880 ~ 915	925 ~ 960	Tx: 2712 ~ 2863 Rx: 2937 ~ 3088	45 MHz
WCDMA 1800 – B9	1750 ~ 1784.8	1845 ~ 1879.8	Tx: 8762 ~ 8912 Rx: 9237 ~ 9387	95 MHz
WCDMA 800 – B19	830 ~ 845	875 ~ 890	Tx: 312 ~ 363 Rx: 712 ~ 763	45 MHz
TDSCDMA 2000 – B34	2010 ~ 2025	2010 ~ 2025	Tx: 10054 ~ 10121 Rx: 10054 ~ 10121	0 MHz
TDSCDMA 1900 – B39	1880 ~ 1920	1880 ~ 1920	Tx: 9404 ~ 9596 Rx: 9404 ~ 9596	0 MHz
LTE 2100 – B1	1920 ~ 1980	2110 ~ 2170	Tx: 18000 ~ 18599 Rx: 0 ~ 599	190 MHz

Mode	Freq. Tx (MHz)	Freq. Rx (MHz)	Channels	Tx-Rx Offset
LTE 1900 – B2	1850 ~ 1910	1930 ~ 1990	Tx: 18600 ~ 19199 Rx: 600 ~ 1199	80 MHz
LTE 1800 – B3	1710 ~ 1785	1805 ~ 1880	Tx: 19200 ~ 19949 Rx: 1200 ~ 1949	95 MHz
LTE AWS – B4	1710 ~ 1755	2110 ~ 2155	Tx: 19950 ~ 20399 Rx: 1950 ~ 2399	400 MHz
LTE 850 – B5	824 ~ 849	869 ~ 894	Tx: 20400 ~ 20649 Rx: 2400 ~ 2649	45 MHz
LTE 2600 – B7	2500 ~ 2570	2620 ~ 2690	Tx: 20750 ~ 21449 Rx: 2750 ~ 3449	120 MHz
LTE 900 – B8	880 ~ 915	925 ~ 960	Tx: 21450 ~ 21799 Rx: 3450 ~ 3799	45 MHz
LTE 1800 – B9	1749.9 ~ 1784.9	1844.9 ~ 1879.9	Tx: 21800 ~ 2149 Rx: 3800 ~ 4149	95 MHz
LTE AWS+ – B10	1710 ~ 1770	2110 ~ 2170	Tx: 22150 ~ 22749 Rx: 4150 ~ 4749	400 MHz
LTE 700a – B12	699 ~ 716	729 ~ 746	Tx : 23010 ~ 23179 Rx : 5010 ~ 5179	30 MHz
LTE 700c – B13	777 ~ 787	746 ~ 756	Tx : 27210 ~ 27659 Rx : 9210 ~ 9659	-31 MHz
LTE 700b – B17	704 ~ 716	734 ~ 746	Tx: 23730 ~ 23849 Rx: 5730 ~ 5849	30 MHz
LTE 800 – B19	830 ~ 845	875 ~ 890	Tx: 24000 ~ 24149 Rx: 6000 ~ 6149	45 MHz
LTE 800 – B20	832 ~ 862	791 ~ 821	Tx: 24150 ~ 24449 Rx: 6150 ~ 6449	-41 MHz
LTE 1500 – B21	1447.9 ~ 1462.9	1495.9 ~ 1510.9	Tx: 24450 ~ 24599 Rx: 6450 ~ 6599	48 MHz
LTE 850+ – B26	814 ~ 849	859 ~ 894	Tx: 26690 ~ 27039 Rx: 8690 ~ 9039	45 MHz

Mode	Freq. Tx (MHz)	Freq. Rx (MHz)	Channels	Tx-Rx Offset
LTE 700 – B28	703 ~ 748	758 ~ 803	Tx : 27210 ~ 27659 Rx : 9210 ~ 9659	45 MHz
LTE TDD 2600 – B38	2570 ~ 2620	2570 ~ 2620	Tx: 37750 ~ 38250 Rx: 37750 ~ 38250	0 MHz
LTE TDD 1900 – B39	1880 ~ 1920	1880 ~ 1920	Tx: 38250 ~ 38650 Rx: 38250 ~ 38650	0 MHz
LTE TDD 2300 – B40	2300 ~ 2400	2300 ~ 2400	Tx: 38650 ~ 39650 Rx: 38650 ~ 39650	0 MHz
LTE TDD 2500 – B41	2496 ~ 2690	2496 ~ 2690	Tx: 39650 ~ 41590 Rx: 39650 ~ 41590	0 MHz

14. ACRONYMS

TTSC	Telit Technical Support Centre
USB	Universal Serial Bus
HS	High Speed
DTE	Data Terminal Equipment
UMTS	Universal Mobile Telecommunication System
WCDMA	Wideband Code Division Multiple Access
HSDPA	High Speed Downlink Packet Access
HSUPA	High Speed Uplink Packet Access
UART	Universal Asynchronous Receiver Transmitter
HSIC	High Speed Inter Chip
SIM	Subscriber Identification Module
SPI	Serial Peripheral Interface
ADC	Analog – Digital Converter
DAC	Digital – Analog Converter
I/O	Input Output
GPIO	General Purpose Input Output
CMOS	Complementary Metal – Oxide Semiconductor
MOSI	Master Output – Slave Input

MISO	Master Input – Slave Output
CLK	Clock
MRDY	Master Ready
SRDY	Slave Ready
CS	Chip Select
RTC	Real Time Clock
PCB	Printed Circuit Board
ESR	Equivalent Series Resistance
VSWR	Voltage Standing Wave Ratio
VNA	Vector Network Analyzer

15. DOCUMENT HISTORY

Revision	Date	Changes
0	2017-02-06	First issue This document replaces the LE866 HW User Guide Doc# 1VV0301210.
1	2017-07-05	Added LE866A1-NA FCC Conformity chapter
2	2017-09-06	Updated LE866A1-NA FCC Conformity chapter
3	2017-09-06	Updated LE866A1-NA FCC Conformity chapter



SUPPORT INQUIRIES

Link to www.telit.com and contact our technical support team for any questions related to technical issues.

www.telit.com



Telit Communications S.p.A.
Via Stazione di Prosecco, 5/B
I-34010 Sgonico (Trieste), Italy

Telit Wireless Solutions Inc.
3131 RDU Center Drive, Suite 135
Morrisville, NC 27560, USA

Telit Wireless Solutions Ltd.
10 Habarzel St.
Tel Aviv 69710, Israel

Telit IoT Platforms LLC
5300 Broken Sound Blvd, Suite 150
Boca Raton, FL 33487, USA

Telit Wireless Solutions Co., Ltd.
8th Fl., Shinyoung Securities Bld.
6, Gukjegeumyung-ro8-gil, Yeongdeungpo-gu
Seoul, 150-884, Korea

Telit Wireless Solutions
Tecnologia e Servicos Ltda
Avenida Paulista, 1776, Room 10.C
01310-921 São Paulo, Brazil

Telit reserves all rights to this document and the information contained herein. Products, names, logos and designs described herein may in whole or in part be subject to intellectual property rights. The information contained herein is provided "as is". No warranty of any kind, either express or implied, is made in relation to the accuracy, reliability, fitness for a particular purpose or content of this document. This document may be revised by Telit at any time. For most recent documents, please visit www.telit.com

Copyright © 2016, Telit

Mod.0818 2017-01 Rev.0