



BUREAU
VERITAS

FCC RF Exposure Test Report



Certificate # 3939.01

FCC RF Exposure Test Report

Report No. : W7L-231127W001SA02

Applicant : Telit Communications S.p.A

Address : Via Stazione di Prosecco 5/b, 34010 Sgonico - Trieste, Italy

Product: : 802.11 a/b/g/n/ac/ax WiFi Module+BT combo module

Brand Name: : Telit Cinterion

Model Name: : WE310K6-P / WE310K6-P M.2

FCC ID: : RI7WE310K6P

Standards : FCC Part 2 (Section 2.1091)
KDB 447498 D01 General RF Exposure Guidance v06

Sample Received Date : Jan. 03, 2024

Date of Testing : Jan. 03, 2024 ~ Apr. 25, 2024

FCC Site Registration No. : 525120

FCC Designation No. : CN1171

CERTIFICATION: The above equipment have been tested by **BV 7LAYERS COMMUNICATIONS TECHNOLOGY (SHENZHEN) CO., LTD.**, and found compliance with the requirement of the above standards. The test record, data evaluation & Equipment Under Test (EUT) configurations represented herein are true and accurate accounts of the measurements of the sample's SAR characteristics under the conditions specified in this report. It should not be reproduced except in full, without the written approval of our laboratory. The client should not use it to claim product certification, approval, or endorsement by A2LA or any government agencies.

Prepared By :

Jerry Chen / Engineer

Approved By :

Luke Lu / Manager

This report is governed by, and incorporates by reference, the Conditions of Testing as posted at the date of issuance of this report at <http://www.bureauveritas.com/home/about-us/our-business/cps/about-us/terms-conditions/> and is intended for your exclusive use. Any copying or replication of this report to or for any other person or entity, or use of our name or trademark, is permitted only with our prior written permission. This report sets forth our findings solely with respect to the test samples identified herein. The results set forth in this report are not indicative or representative of the quality or characteristics of the lot from which a test sample was taken or any similar or identical product unless specifically and expressly noted. Our report includes all of the tests requested by you and the results thereof based upon the information that you provided to us. Measurement uncertainty is only provided upon request for accredited tests. Statements of conformity are based on simple acceptance criteria without taking measurement uncertainty into account, unless otherwise requested in writing. You have 60 days from date of issuance of this report to notify us of any material error or omission caused by our negligence or if you require measurement uncertainty; provided, however, that such notice shall be in writing and shall specifically address the issue you wish to raise. A failure to raise such issue within the prescribed time shall constitute your unqualified acceptance of the completeness of this report, the tests conducted and the correctness of the report contents.



BUREAU
VERITAS



Table of Contents

Release Control Record	3
1. Description of Equipment Under Test	4
2. MPE(Maximum Permissible Exposure) Assessment.....	6
2.1 Introduction	6
2.2 RF Radiation Exposure Limits.....	6
2.3 MPE Assessment Method	7
2.4 MPE Calculation for Standalone Operations	7
2.5 Conclusion of Simultaneous Transmitter	8
3. Information on the Testing Laboratories	9



BUREAU
VERITAS

FCC RF Exposure Test Report



Release Control Record

Report No.	Reason for Change	Date Issued
W7L-231127W001SA02	Initial release	Apr. 25, 2024



BUREAU
VERITAS

FCC RF Exposure Test Report




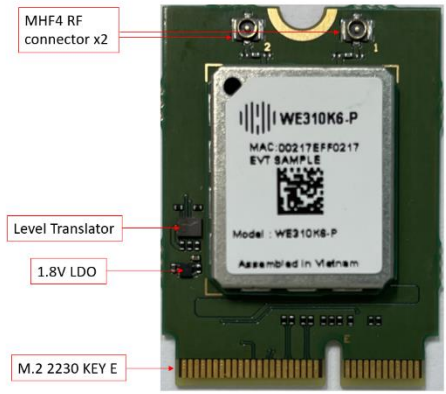
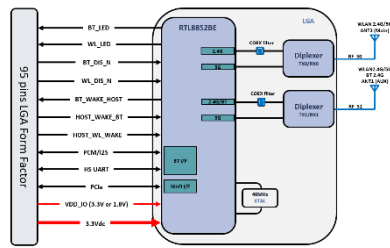
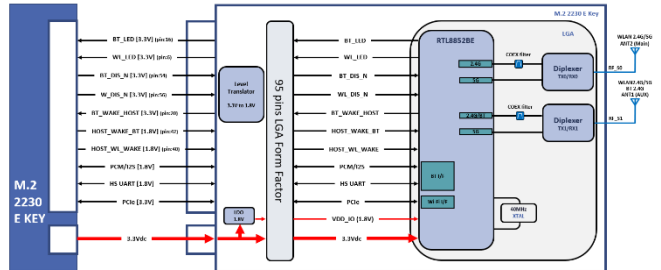
1. Description of Equipment Under Test

EUT Type	802.11 a/b/g/n/ac/ax WiFi Module+BT combo module
Brand Name	Telit Cinterion
Model Name	WE310K6-P / WE310K6-P M.2
Tx Frequency Bands (Unit: MHz)	WLAN : 2412 ~ 2462, 5180 ~ 5240, 5260 ~ 5320, 5500 ~ 5700, 5745 ~ 5825 Bluetooth /BT-LE: 2402 ~ 2480
Uplink Modulations	802.11b : DSSS 802.11a/g/n/ac/ax : OFDM, OFDMA Bluetooth : GFSK, $\pi/4$ -DQPSK, 8-DPSK
HW VERSION	1.0
SW VERSION	V0.29.29.0
Antenna Type	WLAN: Dipole Antenna
EUT Stage	Production Unit

Note:

1. The above EUT information is declared by manufacturer and for more detailed features description please refers to the manufacturer's specifications or User's Manual.
2. Antenna gain and EUT conducted cable loss are provided by the customer, and the laboratory will record the results based on these items that involve these two parameters.

3. The differences between WE310K6-P and WE310K6-P M.2 are as follows:

WE310K6-P	WE310K6-P M.2
	
	

The Main difference is whether the LGA module is mounted on the M.2 interface adapter board.

WE310K6-P: LGA module.

WE310K6-P M.2: LGA module + M.2 2230 E KEY interface adapter board.



BUREAU
VERITAS



2. MPE(Maximum Permissible Exposure) Assessment

2.1 Introduction

According to 47 CFR §2.1091, a mobile device is defined as a transmitting device designed to be used in other than fixed locations and to generally be used in such a way that a separation distance of at least 20 cm is normally maintained between the transmitting antenna and the body of the user or nearby persons. In this context, the term “fixed location” means that the device is physically secured at one location and is not able to be easily moved to another location. Transmitting devices designed to be used by consumers or workers that can be easily re-located, such as wireless devices associated with a personal computer, are considered to be mobile devices if they meet the 20 cm separation requirement. The limits to be used for MPE evaluation are specified in §1.1310. All unlicensed personal communications service (PCS) devices and unlicensed NII devices shall be subject to the limits for general population/uncontrolled exposure.

2.2 RF Radiation Exposure Limits

According to 47 CFR §1.1310, the criteria listed in below table shall be used to evaluate the environmental impact of human exposure to RF radiation as specified in §1.1307(b), except in the case of portable devices which shall be evaluated according to the provisions of §2.1093.

Frequency Range (MHz)	Electric Field Strength (V/m)	Magnetic Field Strength (A/m)	Power Density (mW/cm ²)	Averaging Time (min)
(A) Limits for Occupational / Controlled Exposures				
0.3 – 3.0	614	1.63	100	6
3.0 – 30	1842/f	4.89/f	900/f ²	6
30 – 300	61.4	0.163	1.0	6
300 – 1500	-	-	f/300	6
1500 – 100000	-	-	5	6
(B) Limits for General Population / Uncontrolled Exposures				
0.3 – 1.34	614	1.63	100	30
1.34 – 30	824/f	2.19/f	180/f ²	30
30 – 300	27.5	0.073	0.2	30
300 – 1500	-	-	f/1500	30
1500 – 100000	-	-	1.0	30

Limits for maximum permissible exposure (MPE)

Notes:

- f = frequency in MHz
- Occupational/controlled limits apply in situations in which persons are exposed as a consequence of their employment provided those persons are fully aware of the potential for exposure and can exercise control over their exposure. Limits for occupational/controlled exposure also apply in situations when an individual is transient through a location where occupational/controlled limits apply provided they are made aware of the potential for exposure.



BUREAU
VERITAS

FCC RF Exposure Test Report



3. General population/uncontrolled exposures apply in situations in which the general public may be exposed, or in which persons that are exposed as a consequence of their employment may not be fully aware of the potential for exposure or cannot exercise control over their exposure.

2.3 MPE Assessment Method

Calculations can be made to predict RF field strength and power density levels around typical RF sources. For example, in the case of a single radiating antenna, a prediction for power density in the far-field of the antenna can be made by use of the general Equations below. This equation is generally accurate in the far-field of an antenna but will over-predict power density in the near field, where they could be used for making a "worst case" or conservative prediction.

$$\text{Power Density (S)} = \frac{PG}{4\pi R^2} = \frac{\text{EIRP}}{4\pi R^2}$$

Where

S = Power Density, unit in mW/cm²

P = Power input to the antenna, unit in mW

G = Power gain of the antenna in the direction of interest relative to an isotropic radiator

R = Distance to the center of radiation of the antenna, unit in cm

EIRP = Effective isotropically radiated power

2.4 MPE Calculation for Standalone Operations

The manufacturer expects that the radiated component of this device will not close to the human body during normal usage and the warning statement was also stated in the user instruction. Since the transmitting antenna will be kept at least 20 cm away from the human body, the MPE level is calculated based on this condition and the result is listed in below table.



BUREAU
VERITAS

FCC RF Exposure Test Report



Certificate # 3939.01

RF Exposure Evaluation Results:

Band	Frequency (MHz)	Antenna Gain (dBi)	Maximum Tune up Power (dBm)	Maximum EIRP (dBm)	Maximum EIRP (mW)	EIRP/ERP Limit (dBm)	Power Density at 20cm (mW/cm ²)	Limit (mW/cm ²)	Gain according to EIRP (dBi)	Gain according to PD (dBi)	Max Gain Allowed (dBi)	Conclusion
Bluetooth EDR	2402	2.5	5	7.50	5.623	36.00	0.001	1.000	31.00	32.00	31.00	Pass
Bluetooth LE	2402	2.5	7	9.50	8.913	36.00	0.002	1.000	29.00	30.00	29.00	Pass
2.4GHz WLAN	2412	2.5	17	19.50	89.125	36.00	0.018	1.000	19.00	20.00	19.00	Pass
5.2GHz WLAN	5180	4.5	17.5	22.00	158.489	30.00	0.032	1.000	12.50	19.50	12.50	Pass
5.3GHz WLAN	5260	4.5	17.5	22.00	158.489	30.00	0.032	1.000	12.50	19.50	12.50	Pass
5.5GHz WLAN	5500	4.5	17.5	22.00	158.489	30.00	0.032	1.000	12.50	19.50	12.50	Pass
5.8GHz WLAN	5745	4.5	17.5	22.00	158.489	36.00	0.032	1.000	18.50	19.50	18.50	Pass

Summary:

Since the ERP (effective radiated power) operated at < 1.5 GHz is less than 1.5 watts and > 1.5 GHz is less than 3 watts, the routine environmental evaluation is not required, and the MPE result calculated for this device complies with the MPE limit as specified in 47 CFR §1.1310.

2.5 Conclusion of Simultaneous Transmitter

Both of the WLAN and BT can transmit simultaneously, the formula of calculated the MPE is:

$$CPD1/LPD1 + CPD2/LPD2 + \dots \text{etc.} < 1$$

CPD = Calculation power density

LPD = Limit of power density

Band	Power Density / Limit	$\Sigma(\text{Power Density / Limit})$	Limit	Result
BT	0.002	0.034	1.000	PASS
WLAN	0.032			

Note: According to the above data, the total RF exposure ratio is less than 1, which meets the FCC requirements.



BUREAU
VERITAS

FCC RF Exposure Test Report



3. Information on the Testing Laboratories

We, BV 7LAYERS COMMUNICATIONS TECHNOLOGY (SHENZHEN) CO., LTD., were founded in 2015 to provide our best service in EMC, Radio, Telecom and Safety consultation. Our laboratories are accredited and approved according to ISO/IEC 17025.

If you have any comments, please feel free to contact us at the following:

Add: Room B37, Warehouse A5, No.3 Chiwan 4th Road, Zhaoshang Street, Nanshan District Shenzhen, Guangdong, People's Republic of China

Tel: 86-755-8869-6566

Fax: 86-755-8869-6577

Email: customerservice.sw@bureauveritas.com

Web Site: www.bureauveritas.com

The road map of all our labs can be found in our web site also.

---END---