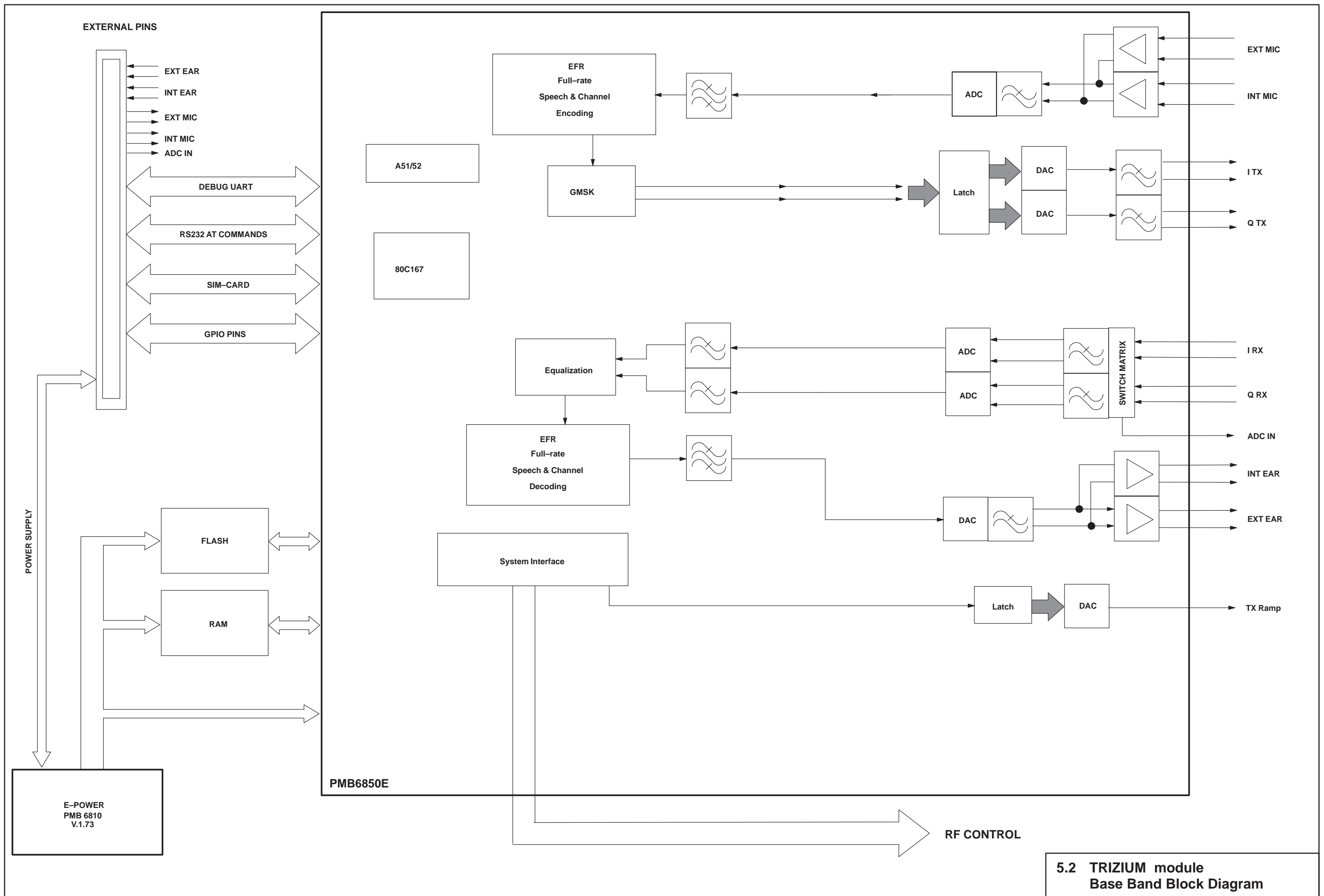


**5.1 TRIZIUM module
Radio Section Block Diagram**



5.2 TRIZIUM module Base Band Block Diagram