



LTE Band 7 / 10MHz / QPSK / RB Size 1 Offset 0/ The Worst Test Results for Lowest							
Frequency(MHz)	S G.Lev (dBm)	Ant(dBi)	Loss	PMea	Limit	Margin	Polarity
				(dBm)	(dBm)	(dBm)	
5010.03	-34.66	12.66	15.86	-37.86	-25.00	-12.86	H
7515.56	-34.03	11.46	19.28	-41.85	-25.00	-16.85	H
10020.57	-32.74	12.79	23.19	-43.14	-25.00	-18.14	H
5010.03	-35.33	12.66	15.86	-38.53	-25.00	-13.53	V
7515.56	-33.94	11.46	19.28	-41.76	-25.00	-16.76	V
10020.57	-31.91	12.79	23.19	-42.31	-25.00	-17.31	V
LTE Band 7 / 10MHz / QPSK / RB Size 1 Offset 0/ The Worst Test Results for Middle							
Frequency(MHz)	S G.Lev (dBm)	Ant(dBi)	Loss	PMea	Limit	Margin	Polarity
				(dBm)	(dBm)	(dBm)	
5069.80	-34.60	12.72	15.86	-37.74	-25.00	-12.74	H
7605.04	-35.05	11.46	19.28	-42.87	-25.00	-17.87	H
10139.96	-32.16	12.09	23.19	-43.26	-25.00	-18.26	H
5069.80	-35.98	12.72	15.86	-39.12	-25.00	-14.12	V
7605.04	-33.79	11.46	19.28	-41.61	-25.00	-16.61	V
10139.96	-32.66	12.09	23.19	-43.76	-25.00	-18.76	V
LTE Band 7 / 10MHz / QPSK / RB Size 1 Offset 0/ The Worst Test Results for Highest							
Frequency(MHz)	S G.Lev (dBm)	Ant(dBi)	Loss	PMea	Limit	Margin	Polarity
				(dBm)	(dBm)	(dBm)	
5129.23	-34.54	12.76	15.86	-37.64	-25.00	-12.64	H
7693.78	-34.55	11.45	19.28	-42.38	-25.00	-17.38	H
10258.79	-33.33	12.28	23.19	-44.24	-25.00	-19.24	H
5129.23	-35.44	12.76	15.86	-38.54	-25.00	-13.54	V
7693.78	-34.88	11.45	19.28	-42.71	-25.00	-17.71	V
10258.79	-32.11	12.28	23.19	-43.02	-25.00	-18.02	V



LTE Band 7 / 15MHz / QPSK / RB Size 1 Offset 0/ The Worst Test Results for Lowest							
Frequency(MHz)	S G.Lev (dBm)	Ant(dBi)	Loss	PMea	Limit	Margin	Polarity
				(dBm)	(dBm)	(dBm)	
5015.78	-33.96	12.66	15.86	-37.16	-25.00	-12.16	H
7524.12	-35.40	11.46	19.28	-43.22	-25.00	-18.22	H
10031.88	-33.09	12.79	23.19	-43.49	-25.00	-18.49	H
5015.78	-35.50	12.66	15.86	-38.70	-25.00	-13.70	V
7524.12	-34.06	11.46	19.28	-41.88	-25.00	-16.88	V
10031.88	-31.90	12.79	23.19	-42.30	-25.00	-17.30	V
LTE Band 7 / 15MHz / QPSK / RB Size 1 Offset 0/ The Worst Test Results for Middle							
Frequency(MHz)	S G.Lev (dBm)	Ant(dBi)	Loss	PMea	Limit	Margin	Polarity
				(dBm)	(dBm)	(dBm)	
5069.83	-33.49	12.72	15.86	-36.63	-25.00	-11.63	H
7604.77	-35.22	11.46	19.28	-43.04	-25.00	-18.04	H
10139.69	-33.14	12.09	23.19	-44.24	-25.00	-19.24	H
5069.83	-35.79	12.72	15.86	-38.93	-25.00	-13.93	V
7604.77	-34.25	11.46	19.28	-42.07	-25.00	-17.07	V
10139.69	-31.76	12.09	23.19	-42.86	-25.00	-17.86	V
LTE Band 7 / 15MHz / QPSK / RB Size 1 Offset 0/ The Worst Test Results for Highest							
Frequency(MHz)	S G.Lev (dBm)	Ant(dBi)	Loss	PMea	Limit	Margin	Polarity
				(dBm)	(dBm)	(dBm)	
5123.46	-34.62	12.76	15.86	-37.72	-25.00	-12.72	H
7524.02	-35.28	11.45	19.28	-43.11	-25.00	-18.11	H
10031.84	-32.44	12.28	23.19	-43.35	-25.00	-18.35	H
5123.46	-34.74	12.76	15.86	-37.84	-25.00	-12.84	V
7524.02	-34.70	11.45	19.28	-42.53	-25.00	-17.53	V
10031.84	-32.30	12.28	23.19	-43.21	-25.00	-18.21	V



LTE Band 7 / 20MHz / QPSK / RB Size 1 Offset 0/ The Worst Test Results for Lowest							
Frequency(MHz)	S G.Lev (dBm)	Ant(dBi)	Loss	PMea	Limit	Margin	Polarity
				(dBm)	(dBm)	(dBm)	
5020.93	-33.92	12.66	15.86	-37.12	-25.00	-12.12	H
7531.07	-35.23	11.46	19.28	-43.05	-25.00	-18.05	H
10258.87	-32.37	12.79	23.19	-42.77	-25.00	-17.77	H
5020.93	-35.33	12.66	15.86	-38.53	-25.00	-13.53	V
7531.07	-34.45	11.46	19.28	-42.27	-25.00	-17.27	V
10258.87	-32.19	12.79	23.19	-42.59	-25.00	-17.59	V
LTE Band 7 / 20MHz / QPSK / RB Size 1 Offset 0/ The Worst Test Results for Middle							
Frequency(MHz)	S G.Lev (dBm)	Ant(dBi)	Loss	PMea	Limit	Margin	Polarity
				(dBm)	(dBm)	(dBm)	
5069.79	-33.46	12.72	15.86	-36.60	-25.00	-11.60	H
7605.03	-34.48	11.46	19.28	-42.30	-25.00	-17.30	H
10139.76	-32.70	12.09	23.19	-43.80	-25.00	-18.80	H
5069.79	-34.68	12.72	15.86	-37.82	-25.00	-12.82	V
7605.03	-34.23	11.46	19.28	-42.05	-25.00	-17.05	V
10139.76	-32.14	12.09	23.19	-43.24	-25.00	-18.24	V
LTE Band 7 / 20MHz / QPSK / RB Size 1 Offset 0/ The Worst Test Results for Highest							
Frequency(MHz)	S G.Lev (dBm)	Ant(dBi)	Loss	PMea	Limit	Margin	Polarity
				(dBm)	(dBm)	(dBm)	
5118.83	-34.11	12.76	15.86	-37.21	-25.00	-12.21	H
7678.47	-34.00	11.45	19.28	-41.83	-25.00	-16.83	H
10237.76	-33.09	12.28	23.19	-44.00	-25.00	-19.00	H
5118.83	-34.67	12.76	15.86	-37.77	-25.00	-12.77	V
7678.47	-35.01	11.45	19.28	-42.84	-25.00	-17.84	V
10237.76	-31.71	12.28	23.19	-42.62	-25.00	-17.62	V



LTE Band 12 / 1.4MHz / QPSK / RB Size 1 Offset 0/ The Worst Test Results for Lowest							
Frequency(MHz)	S G.Lev (dBm)	Ant(dBi)	Loss	PMea	Limit	Margin	Polarity
				(dBm)	(dBm)	(dBm)	
1399.06	-33.71	8.17	9.34	-34.88	-13.00	-21.88	H
2098.69	-34.12	9.53	10.42	-35.01	-13.00	-22.01	H
2798.71	-32.39	11.27	11.12	-32.24	-13.00	-19.24	H
1399.06	-35.35	8.17	9.34	-36.52	-13.00	-23.52	V
2098.69	-35.10	9.53	10.42	-35.99	-13.00	-22.99	V
2798.71	-31.88	11.27	11.12	-31.73	-13.00	-18.73	V
LTE Band 12 / 1.4MHz / QPSK / RB Size 1 Offset 0/ The Worst Test Results for Middle							
Frequency(MHz)	S G.Lev (dBm)	Ant(dBi)	Loss	PMea	Limit	Margin	Polarity
				(dBm)	(dBm)	(dBm)	
1414.59	-33.74	8.17	9.34	-34.91	-13.00	-21.91	H
2122.45	-35.01	9.53	10.42	-35.90	-13.00	-22.90	H
2829.55	-33.21	11.27	11.12	-33.06	-13.00	-20.06	H
1414.59	-34.76	8.17	9.34	-35.93	-13.00	-22.93	V
2122.45	-34.24	9.53	10.42	-35.13	-13.00	-22.13	V
2829.55	-32.41	11.27	11.12	-32.26	-13.00	-19.26	V
LTE Band 12 / 1.4MHz / QPSK / RB Size 1 Offset 0/ The Worst Test Results for Highest							
Frequency(MHz)	S G.Lev (dBm)	Ant(dBi)	Loss	PMea	Limit	Margin	Polarity
				(dBm)	(dBm)	(dBm)	
1430.39	-34.49	8.17	9.34	-35.66	-13.00	-22.66	H
2145.71	-35.26	9.53	10.42	-36.15	-13.00	-23.15	H
2861.11	-33.55	11.27	11.12	-33.40	-13.00	-20.40	H
1430.39	-34.66	8.17	9.34	-35.83	-13.00	-22.83	V
2145.71	-34.54	9.53	10.42	-35.43	-13.00	-22.43	V
2861.11	-33.13	11.27	11.12	-32.98	-13.00	-19.98	V



LTE Band 12 / 3MHz / QPSK / RB Size 1 Offset 0/ The Worst Test Results for Lowest							
Frequency(MHz)	S G.Lev (dBm)	Ant(dBi)	Loss	PMea	Limit	Margin	Polarity
				(dBm)	(dBm)	(dBm)	
1400.86	-34.61	8.17	9.34	-35.78	-13.00	-22.78	H
2101.09	-34.89	9.53	10.42	-35.78	-13.00	-22.78	H
2801.76	-33.01	11.27	11.12	-32.86	-13.00	-19.86	H
1400.86	-34.92	8.17	9.34	-36.09	-13.00	-23.09	V
2101.09	-34.48	9.53	10.42	-35.37	-13.00	-22.37	V
2801.76	-33.13	11.27	11.12	-32.98	-13.00	-19.98	V
LTE Band 12 / 3MHz / QPSK / RB Size 1 Offset 0/ The Worst Test Results for Middle							
Frequency(MHz)	S G.Lev (dBm)	Ant(dBi)	Loss	PMea	Limit	Margin	Polarity
				(dBm)	(dBm)	(dBm)	
1414.72	-34.24	8.17	9.34	-35.41	-13.00	-22.41	H
2122.33	-34.56	9.53	10.42	-35.45	-13.00	-22.45	H
2829.86	-32.81	11.27	11.12	-32.66	-13.00	-19.66	H
1414.72	-35.00	8.17	9.34	-36.17	-13.00	-23.17	V
2122.33	-34.01	9.53	10.42	-34.90	-13.00	-21.90	V
2829.86	-32.26	11.27	11.12	-32.11	-13.00	-19.11	V
LTE Band 12 / 3MHz / QPSK / RB Size 1 Offset 0/ The Worst Test Results for Highest							
Frequency(MHz)	S G.Lev (dBm)	Ant(dBi)	Loss	PMea	Limit	Margin	Polarity
				(dBm)	(dBm)	(dBm)	
1428.65	-33.75	8.17	9.34	-34.92	-13.00	-21.92	H
2143.26	-35.24	9.53	10.42	-36.13	-13.00	-23.13	H
2857.51	-32.22	11.27	11.12	-32.07	-13.00	-19.07	H
1428.65	-35.23	8.17	9.34	-36.40	-13.00	-23.40	V
2143.26	-34.84	9.53	10.42	-35.73	-13.00	-22.73	V
2857.51	-32.64	11.27	11.12	-32.49	-13.00	-19.49	V



LTE Band 12 / 5MHz / QPSK / RB Size 1 Offset 0/ The Worst Test Results for Lowest							
Frequency(MHz)	S G.Lev (dBm)	Ant(dBi)	Loss	PMea	Limit	Margin	Polarity
				(dBm)	(dBm)	(dBm)	
1402.96	-34.46	8.17	9.34	-35.63	-13.00	-22.63	H
2104.12	-34.58	9.53	10.42	-35.47	-13.00	-22.47	H
2805.68	-33.44	11.27	11.12	-33.29	-13.00	-20.29	H
1402.96	-35.83	8.17	9.34	-37.00	-13.00	-24.00	V
2104.12	-34.72	9.53	10.42	-35.61	-13.00	-22.61	V
2805.68	-32.72	11.27	11.12	-32.57	-13.00	-19.57	V
LTE Band 12 / 5MHz / QPSK / RB Size 1 Offset 0/ The Worst Test Results for Middle							
Frequency(MHz)	S G.Lev (dBm)	Ant(dBi)	Loss	PMea	Limit	Margin	Polarity
				(dBm)	(dBm)	(dBm)	
1414.71	-33.92	8.17	9.34	-35.09	-13.00	-22.09	H
2122.28	-35.34	9.53	10.42	-36.23	-13.00	-23.23	H
2829.80	-33.04	11.27	11.12	-32.89	-13.00	-19.89	H
1414.71	-35.60	8.17	9.34	-36.77	-13.00	-23.77	V
2122.28	-35.09	9.53	10.42	-35.98	-13.00	-22.98	V
2829.80	-31.71	11.27	11.12	-31.56	-13.00	-18.56	V
LTE Band 12 / 5MHz / QPSK / RB Size 1 Offset 0/ The Worst Test Results for Highest							
Frequency(MHz)	S G.Lev (dBm)	Ant(dBi)	Loss	PMea	Limit	Margin	Polarity
				(dBm)	(dBm)	(dBm)	
1426.68	-33.97	8.17	9.34	-35.14	-13.00	-22.14	H
2140.05	-34.20	9.53	10.42	-35.09	-13.00	-22.09	H
2853.55	-33.63	11.27	11.12	-33.48	-13.00	-20.48	H
1426.68	-35.88	8.17	9.34	-37.05	-13.00	-24.05	V
2140.05	-34.65	9.53	10.42	-35.54	-13.00	-22.54	V
2853.55	-32.90	11.27	11.12	-32.75	-13.00	-19.75	V



LTE Band 12 / 10MHz / QPSK / RB Size 1 Offset 0/ The Worst Test Results for Lowest							
Frequency(MHz)	S G.Lev (dBm)	Ant(dBi)	Loss	PMea	Limit	Margin	Polarity
				(dBm)	(dBm)	(dBm)	
1407.82	-34.15	8.17	9.34	-35.32	-13.00	-22.32	H
2111.69	-34.35	9.53	10.42	-35.24	-13.00	-22.24	H
2815.60	-33.32	11.27	11.12	-33.17	-13.00	-20.17	H
1407.82	-35.77	8.17	9.34	-36.94	-13.00	-23.94	V
2111.69	-34.87	9.53	10.42	-35.76	-13.00	-22.76	V
2815.60	-31.87	11.27	11.12	-31.72	-13.00	-18.72	V
LTE Band 12 / 10MHz / QPSK / RB Size 1 Offset 0/ The Worst Test Results for Middle							
Frequency(MHz)	S G.Lev (dBm)	Ant(dBi)	Loss	PMea	Limit	Margin	Polarity
				(dBm)	(dBm)	(dBm)	
1414.55	-33.51	8.17	9.34	-34.68	-13.00	-21.68	H
2122.14	-35.41	9.53	10.42	-36.30	-13.00	-23.30	H
2829.92	-32.22	11.27	11.12	-32.07	-13.00	-19.07	H
1414.55	-36.01	8.17	9.34	-37.18	-13.00	-24.18	V
2122.14	-34.35	9.53	10.42	-35.24	-13.00	-22.24	V
2829.92	-33.19	11.27	11.12	-33.04	-13.00	-20.04	V
LTE Band 12 / 10MHz / QPSK / RB Size 1 Offset 0/ The Worst Test Results for Highest							
Frequency(MHz)	S G.Lev (dBm)	Ant(dBi)	Loss	PMea	Limit	Margin	Polarity
				(dBm)	(dBm)	(dBm)	
1421.54	-33.64	8.17	9.34	-34.81	-13.00	-21.81	H
2133.00	-35.11	9.53	10.42	-36.00	-13.00	-23.00	H
2843.60	-32.20	11.27	11.12	-32.05	-13.00	-19.05	H
1421.54	-35.73	8.17	9.34	-36.90	-13.00	-23.90	V
2133.00	-35.11	9.53	10.42	-36.00	-13.00	-23.00	V
2843.60	-31.73	11.27	11.12	-31.58	-13.00	-18.58	V





LTE Band 13 / 5MHz / QPSK / RB Size 1 Offset 0/ The Worst Test Results for Lowest							
Frequency(MHz)	S G.Lev (dBm)	Ant(dBi)	Loss	PMea	Limit	Margin	Polarity
				(dBm)	(dBm)	(dBm)	
1559.35	-47.56	9.56	9.72	-47.72	-40.00	-7.72	H
2338.44	-47.19	10.50	10.86	-47.55	-13.00	-34.55	H
3118.04	-45.25	12.78	11.57	-44.04	-13.00	-31.04	H
1559.35	-48.54	9.56	9.72	-48.70	-40.00	-8.70	V
2338.44	-47.13	10.50	10.86	-47.49	-13.00	-34.49	V
3118.04	-45.60	12.78	11.57	-44.39	-13.00	-31.39	V
LTE Band 13 / 5MHz / QPSK / RB Size 1 Offset 0/ The Worst Test Results for Middle							
Frequency(MHz)	S G.Lev (dBm)	Ant(dBi)	Loss	PMea	Limit	Margin	Polarity
				(dBm)	(dBm)	(dBm)	
1564.13	-48.89	9.56	9.72	-49.05	-40.00	-9.05	H
2346.05	-46.68	10.50	10.86	-47.04	-13.00	-34.04	H
3127.86	-45.33	12.78	11.57	-44.12	-13.00	-31.12	H
1564.13	-48.09	9.56	9.72	-48.25	-40.00	-8.25	V
2346.05	-46.63	10.50	10.86	-46.99	-13.00	-33.99	V
3127.86	-46.25	12.78	11.57	-45.04	-13.00	-32.04	V
LTE Band 13 / 5MHz / QPSK / RB Size 1 Offset 0/ The Worst Test Results for Highest							
Frequency(MHz)	S G.Lev (dBm)	Ant(dBi)	Loss	PMea	Limit	Margin	Polarity
				(dBm)	(dBm)	(dBm)	
1568.87	-47.45	9.56	9.72	-47.61	-40.00	-7.61	H
2353.34	-46.97	10.50	10.86	-47.33	-13.00	-34.33	H
3138.09	-45.51	12.78	11.57	-44.30	-13.00	-31.30	H
1568.87	-48.36	9.56	9.72	-48.52	-40.00	-8.52	V
2353.34	-46.23	10.50	10.86	-46.59	-13.00	-33.59	V
3138.09	-45.70	12.78	11.57	-44.49	-13.00	-31.49	V

LTE Band 13 / 10MHz / QPSK / RB Size 1 Offset 0/ The Worst Test Results for Middle							
Frequency(MHz)	S G.Lev (dBm)	Ant(dBi)	Loss	PMea	Limit	Margin	Polarity
				(dBm)	(dBm)	(dBm)	
1564.20	-48.37	9.56	9.72	-48.53	-40.00	-8.53	H
2346.13	-46.77	10.50	10.86	-47.13	-13.00	-34.13	H
3127.91	-46.09	12.78	11.57	-44.88	-13.00	-31.88	H
1564.20	-48.01	9.56	9.72	-48.17	-40.00	-8.17	V
2346.13	-46.75	10.50	10.86	-47.11	-13.00	-34.11	V
3127.91	-45.46	12.78	11.57	-44.25	-13.00	-31.25	V





LTE Band 14 / 5MHz / QPSK / RB Size 1 Offset 0/ The Worst Test Results for Lowest							
Frequency(MHz)	S G.Lev (dBm)	Ant(dBi)	Loss	PMea	Limit	Margin	Polarity
				(dBm)	(dBm)	(dBm)	
1581.17	-48.89	9.56	9.72	-49.05	-40.00	-9.05	H
2371.62	-47.01	10.50	10.86	-47.37	-13.00	-34.37	H
3161.97	-45.22	12.78	11.57	-44.01	-13.00	-31.01	H
1581.17	-47.80	9.56	9.72	-47.96	-40.00	-7.96	V
2371.62	-47.36	10.50	10.86	-47.72	-13.00	-34.72	V
3161.97	-46.48	12.78	11.57	-45.27	-13.00	-32.27	V
LTE Band 14 / 5MHz / QPSK / RB Size 1 Offset 0/ The Worst Test Results for Middle							
Frequency(MHz)	S G.Lev (dBm)	Ant(dBi)	Loss	PMea	Limit	Margin	Polarity
				(dBm)	(dBm)	(dBm)	
1581.75	-47.82	9.56	9.72	-47.98	-40.00	-7.98	H
2379.14	-47.30	10.50	10.86	-47.66	-13.00	-34.66	H
3171.84	-45.60	12.78	11.57	-44.39	-13.00	-31.39	H
1581.75	-47.57	9.56	9.72	-47.73	-40.00	-7.73	V
2379.14	-46.67	10.50	10.86	-47.03	-13.00	-34.03	V
3171.84	-46.65	12.78	11.57	-45.44	-13.00	-32.44	V
LTE Band 14 / 5MHz / QPSK / RB Size 1 Offset 0/ The Worst Test Results for Highest							
Frequency(MHz)	S G.Lev (dBm)	Ant(dBi)	Loss	PMea	Limit	Margin	Polarity
				(dBm)	(dBm)	(dBm)	
1590.80	-48.41	9.56	9.72	-48.57	-40.00	-8.57	H
2385.79	-46.25	10.50	10.86	-46.61	-13.00	-33.61	H
3182.24	-45.26	12.78	11.57	-44.05	-13.00	-31.05	H
1590.80	-48.50	9.56	9.72	-48.66	-40.00	-8.66	V
2385.79	-46.95	10.50	10.86	-47.31	-13.00	-34.31	V
3182.24	-46.14	12.78	11.57	-44.93	-13.00	-31.93	V

LTE Band 14 / 10MHz / QPSK / RB Size 1 Offset 0/ The Worst Test Results for Middle							
Frequency(MHz)	S G.Lev (dBm)	Ant(dBi)	Loss	PMea	Limit	Margin	Polarity
				(dBm)	(dBm)	(dBm)	
1582.15	-48.32	9.56	9.72	-48.48	-40.00	-8.48	H
2379.18	-47.23	10.50	10.86	-47.59	-13.00	-34.59	H
3171.72	-45.39	12.78	11.57	-44.18	-13.00	-31.18	H
1582.15	-47.94	9.56	9.72	-48.10	-40.00	-8.10	V
2379.18	-47.48	10.50	10.86	-47.84	-13.00	-34.84	V
3171.72	-45.33	12.78	11.57	-44.12	-13.00	-31.12	V



LTE Band 17 / 5MHz / QPSK / RB Size 1 Offset 0/ The Worst Test Results for Lowest							
Frequency(MHz)	S G.Lev (dBm)	Ant(dBi)	Loss	PMea	Limit	Margin	Polarity
				(dBm)	(dBm)	(dBm)	
1413.03	-33.50	8.17	9.34	-34.67	-13.00	-21.67	H
2120.61	-34.32	9.53	10.42	-35.21	-13.00	-22.21	H
2826.44	-33.47	11.27	11.12	-33.32	-13.00	-20.32	H
1413.03	-35.57	8.17	9.34	-36.74	-13.00	-23.74	V
2120.61	-35.06	9.53	10.42	-35.95	-13.00	-22.95	V
2826.44	-32.40	11.27	11.12	-32.25	-13.00	-19.25	V
LTE Band 17 / 5MHz / QPSK / RB Size 1 Offset 0/ The Worst Test Results for Middle							
Frequency(MHz)	S G.Lev (dBm)	Ant(dBi)	Loss	PMea	Limit	Margin	Polarity
				(dBm)	(dBm)	(dBm)	
1419.85	-33.89	8.17	9.34	-35.06	-13.00	-22.06	H
2129.98	-34.22	9.53	10.42	-35.11	-13.00	-22.11	H
2840.09	-33.47	11.27	11.12	-33.32	-13.00	-20.32	H
1419.85	-35.81	8.17	9.34	-36.98	-13.00	-23.98	V
2129.98	-34.86	9.53	10.42	-35.75	-13.00	-22.75	V
2840.09	-31.83	11.27	11.12	-31.68	-13.00	-18.68	V
LTE Band 17 / 5MHz / QPSK / RB Size 1 Offset 0/ The Worst Test Results for Highest							
Frequency(MHz)	S G.Lev (dBm)	Ant(dBi)	Loss	PMea	Limit	Margin	Polarity
				(dBm)	(dBm)	(dBm)	
1426.09	-34.09	8.17	9.34	-35.26	-13.00	-22.26	H
2139.27	-34.33	9.53	10.42	-35.22	-13.00	-22.22	H
2852.44	-33.49	11.27	11.12	-33.34	-13.00	-20.34	H
1426.09	-35.05	8.17	9.34	-36.22	-13.00	-23.22	V
2139.27	-34.39	9.53	10.42	-35.28	-13.00	-22.28	V
2852.44	-32.77	11.27	11.12	-32.62	-13.00	-19.62	V



LTE Band 17 / 10MHz / QPSK / RB Size 1 Offset 0/ The Worst Test Results for Lowest							
Frequency(MHz)	S G.Lev (dBm)	Ant(dBi)	Loss	PMea	Limit	Margin	Polarity
				(dBm)	(dBm)	(dBm)	
1418.18	-34.85	8.17	9.34	-36.02	-13.00	-23.02	H
2127.34	-34.44	9.53	10.42	-35.33	-13.00	-22.33	H
2836.51	-33.25	11.27	11.12	-33.10	-13.00	-20.10	H
1418.18	-35.96	8.17	9.34	-37.13	-13.00	-24.13	V
2127.34	-34.54	9.53	10.42	-35.43	-13.00	-22.43	V
2836.51	-32.85	11.27	11.12	-32.70	-13.00	-19.70	V
LTE Band 17 / 10MHz / QPSK / RB Size 1 Offset 0/ The Worst Test Results for Middle							
Frequency(MHz)	S G.Lev (dBm)	Ant(dBi)	Loss	PMea	Limit	Margin	Polarity
				(dBm)	(dBm)	(dBm)	
1420.16	-34.55	8.17	9.34	-35.72	-13.00	-22.72	H
2129.81	-35.05	9.53	10.42	-35.94	-13.00	-22.94	H
2840.07	-33.23	11.27	11.12	-33.08	-13.00	-20.08	H
1420.16	-35.34	8.17	9.34	-36.51	-13.00	-23.51	V
2129.81	-33.94	9.53	10.42	-34.83	-13.00	-21.83	V
2840.07	-31.94	11.27	11.12	-31.79	-13.00	-18.79	V
LTE Band 17 / 10MHz / QPSK / RB Size 1 Offset 0/ The Worst Test Results for Highest							
Frequency(MHz)	S G.Lev (dBm)	Ant(dBi)	Loss	PMea	Limit	Margin	Polarity
				(dBm)	(dBm)	(dBm)	
1421.00	-33.93	8.17	9.34	-35.10	-13.00	-22.10	H
2131.77	-34.49	9.53	10.42	-35.38	-13.00	-22.38	H
2842.80	-33.37	11.27	11.12	-33.22	-13.00	-20.22	H
1421.00	-34.80	8.17	9.34	-35.97	-13.00	-22.97	V
2131.77	-33.81	9.53	10.42	-34.70	-13.00	-21.70	V
2842.80	-32.37	11.27	11.12	-32.22	-13.00	-19.22	V



LTE Band 25 / 1.4MHz / QPSK / RB Size 1 Offset 0/ The Worst Test Results for Lowest							
Frequency(MHz)	S G.Lev (dBm)	Ant(dBi)	Loss	PMea	Limit	Margin	Polarity
				(dBm)	(dBm)	(dBm)	
3701.30	-34.53	12.60	12.93	-34.86	-13.00	-21.86	H
5552.01	-35.30	13.10	17.11	-39.31	-13.00	-26.31	H
7402.73	-32.35	11.50	22.20	-43.05	-13.00	-30.05	H
3701.30	-35.68	12.60	12.93	-36.01	-13.00	-23.01	V
5552.01	-34.49	13.10	17.11	-38.50	-13.00	-25.50	V
7402.73	-32.31	11.50	22.20	-43.01	-13.00	-30.01	V
LTE Band 25 / 1.4MHz / QPSK / RB Size 1 Offset 0/ The Worst Test Results for Middle							
Frequency(MHz)	S G.Lev (dBm)	Ant(dBi)	Loss	PMea	Limit	Margin	Polarity
				(dBm)	(dBm)	(dBm)	
3765.18	-34.15	12.60	12.93	-34.48	-13.00	-21.48	H
5646.82	-35.37	13.10	17.11	-39.38	-13.00	-26.38	H
7530.11	-32.38	11.50	22.20	-43.08	-13.00	-30.08	H
3765.18	-35.94	12.60	12.93	-36.27	-13.00	-23.27	V
5646.82	-34.05	13.10	17.11	-38.06	-13.00	-25.06	V
7530.11	-31.99	11.50	22.20	-42.69	-13.00	-29.69	V
LTE Band 25 / 1.4MHz / QPSK / RB Size 1 Offset 0/ The Worst Test Results for Highest							
Frequency(MHz)	S G.Lev (dBm)	Ant(dBi)	Loss	PMea	Limit	Margin	Polarity
				(dBm)	(dBm)	(dBm)	
3828.24	-34.64	12.60	12.93	-34.97	-13.00	-21.97	H
5727.70	-34.39	13.10	17.11	-38.40	-13.00	-25.40	H
7656.74	-33.31	11.50	22.20	-44.01	-13.00	-31.01	H
3828.24	-35.75	12.60	12.93	-36.08	-13.00	-23.08	V
5727.70	-35.13	13.10	17.11	-39.14	-13.00	-26.14	V
7656.74	-33.12	11.50	22.20	-43.82	-13.00	-30.82	V



LTE Band 25 / 3MHz / QPSK / RB Size 1 Offset 0/ The Worst Test Results for Lowest							
Frequency(MHz)	S G.Lev (dBm)	Ant(dBi)	Loss	PMea	Limit	Margin	Polarity
				(dBm)	(dBm)	(dBm)	
3702.81	-34.57	12.60	12.93	-34.90	-13.00	-21.90	H
5554.31	-34.05	13.10	17.11	-38.06	-13.00	-25.06	H
7405.97	-33.47	11.50	22.20	-44.17	-13.00	-31.17	H
3702.81	-35.44	12.60	12.93	-35.77	-13.00	-22.77	V
5554.31	-35.17	13.10	17.11	-39.18	-13.00	-26.18	V
7405.97	-32.43	11.50	22.20	-43.13	-13.00	-30.13	V
LTE Band 25 / 3MHz / QPSK / RB Size 1 Offset 0/ The Worst Test Results for Middle							
Frequency(MHz)	S G.Lev (dBm)	Ant(dBi)	Loss	PMea	Limit	Margin	Polarity
				(dBm)	(dBm)	(dBm)	
3764.82	-34.42	12.60	12.93	-34.75	-13.00	-21.75	H
5646.91	-34.94	13.10	17.11	-38.95	-13.00	-25.95	H
7530.19	-33.43	11.50	22.20	-44.13	-13.00	-31.13	H
3764.82	-35.36	12.60	12.93	-35.69	-13.00	-22.69	V
5646.91	-34.96	13.10	17.11	-38.97	-13.00	-25.97	V
7530.19	-32.71	11.50	22.20	-43.41	-13.00	-30.41	V
LTE Band 25 / 3MHz / QPSK / RB Size 1 Offset 0/ The Worst Test Results for Highest							
Frequency(MHz)	S G.Lev (dBm)	Ant(dBi)	Loss	PMea	Limit	Margin	Polarity
				(dBm)	(dBm)	(dBm)	
3826.85	-34.36	12.60	12.93	-34.69	-13.00	-21.69	H
5739.77	-34.90	13.10	17.11	-38.91	-13.00	-25.91	H
7654.52	-32.66	11.50	22.20	-43.36	-13.00	-30.36	H
3826.85	-35.66	12.60	12.93	-35.99	-13.00	-22.99	V
5739.77	-34.69	13.10	17.11	-38.70	-13.00	-25.70	V
7654.52	-32.59	11.50	22.20	-43.29	-13.00	-30.29	V



LTE Band 25 / 5MHz / QPSK / RB Size 1 Offset 0/ The Worst Test Results for Lowest							
Frequency(MHz)	S G.Lev (dBm)	Ant(dBi)	Loss	PMea	Limit	Margin	Polarity
				(dBm)	(dBm)	(dBm)	
3705.20	-34.07	12.60	12.93	-34.40	-13.00	-21.40	H
5557.12	-35.28	13.10	17.11	-39.29	-13.00	-26.29	H
7409.94	-32.77	11.50	22.20	-43.47	-13.00	-30.47	H
3705.20	-34.59	12.60	12.93	-34.92	-13.00	-21.92	V
5557.12	-35.23	13.10	17.11	-39.24	-13.00	-26.24	V
7409.94	-32.89	11.50	22.20	-43.59	-13.00	-30.59	V
LTE Band 25 / 5MHz / QPSK / RB Size 1 Offset 0/ The Worst Test Results for Middle							
Frequency(MHz)	S G.Lev (dBm)	Ant(dBi)	Loss	PMea	Limit	Margin	Polarity
				(dBm)	(dBm)	(dBm)	
3764.92	-34.41	12.60	12.93	-34.74	-13.00	-21.74	H
5647.05	-34.77	13.10	17.11	-38.78	-13.00	-25.78	H
7529.85	-33.58	11.50	22.20	-44.28	-13.00	-31.28	H
3764.92	-35.06	12.60	12.93	-35.39	-13.00	-22.39	V
5647.05	-34.50	13.10	17.11	-38.51	-13.00	-25.51	V
7529.85	-31.86	11.50	22.20	-42.56	-13.00	-29.56	V
LTE Band 25 / 5MHz / QPSK / RB Size 1 Offset 0/ The Worst Test Results for Highest							
Frequency(MHz)	S G.Lev (dBm)	Ant(dBi)	Loss	PMea	Limit	Margin	Polarity
				(dBm)	(dBm)	(dBm)	
3825.18	-34.79	12.60	12.93	-35.12	-13.00	-22.12	H
5737.36	-34.01	13.10	17.11	-38.02	-13.00	-25.02	H
7650.46	-32.53	11.50	22.20	-43.23	-13.00	-30.23	H
3825.18	-34.71	12.60	12.93	-35.04	-13.00	-22.04	V
5737.36	-33.79	13.10	17.11	-37.80	-13.00	-24.80	V
7650.46	-32.76	11.50	22.20	-43.46	-13.00	-30.46	V



LTE Band 25 / 10MHz / QPSK / RB Size 1 Offset 0/ The Worst Test Results for Lowest							
Frequency(MHz)	S G.Lev (dBm)	Ant(dBi)	Loss	PMea	Limit	Margin	Polarity
				(dBm)	(dBm)	(dBm)	
3710.44	-33.72	12.60	12.93	-34.05	-13.00	-21.05	H
5565.47	-34.85	13.10	17.11	-38.86	-13.00	-25.86	H
7420.09	-33.09	11.50	22.20	-43.79	-13.00	-30.79	H
3710.44	-35.08	12.60	12.93	-35.41	-13.00	-22.41	V
5565.47	-34.39	13.10	17.11	-38.40	-13.00	-25.40	V
7420.09	-32.68	11.50	22.20	-43.38	-13.00	-30.38	V
LTE Band 25 / 10MHz / QPSK / RB Size 1 Offset 0/ The Worst Test Results for Middle							
Frequency(MHz)	S G.Lev (dBm)	Ant(dBi)	Loss	PMea	Limit	Margin	Polarity
				(dBm)	(dBm)	(dBm)	
3765.17	-33.78	12.60	12.93	-34.11	-13.00	-21.11	H
5647.51	-34.14	13.10	17.11	-38.15	-13.00	-25.15	H
7530.17	-33.11	11.50	22.20	-43.81	-13.00	-30.81	H
3765.17	-35.86	12.60	12.93	-36.19	-13.00	-23.19	V
5647.51	-34.59	13.10	17.11	-38.60	-13.00	-25.60	V
7530.17	-32.45	11.50	22.20	-43.15	-13.00	-30.15	V
LTE Band 25 / 10MHz / QPSK / RB Size 1 Offset 0/ The Worst Test Results for Highest							
Frequency(MHz)	S G.Lev (dBm)	Ant(dBi)	Loss	PMea	Limit	Margin	Polarity
				(dBm)	(dBm)	(dBm)	
3820.19	-33.78	12.60	12.93	-34.11	-13.00	-21.11	H
5729.99	-34.87	13.10	17.11	-38.88	-13.00	-25.88	H
7640.05	-32.22	11.50	22.20	-42.92	-13.00	-29.92	H
3820.19	-35.12	12.60	12.93	-35.45	-13.00	-22.45	V
5729.99	-34.57	13.10	17.11	-38.58	-13.00	-25.58	V
7640.05	-32.98	11.50	22.20	-43.68	-13.00	-30.68	V





LTE Band 25 / 15MHz / QPSK / RB Size 1 Offset 0/ The Worst Test Results for Lowest							
Frequency(MHz)	S G.Lev (dBm)	Ant(dBi)	Loss	PMea	Limit	Margin	Polarity
				(dBm)	(dBm)	(dBm)	
3715.02	-33.67	12.60	12.93	-34.00	-13.00	-21.00	H
5572.08	-34.66	13.10	17.11	-38.67	-13.00	-25.67	H
7430.79	-32.95	11.50	22.20	-43.65	-13.00	-30.65	H
3715.02	-34.92	12.60	12.93	-35.25	-13.00	-22.25	V
5572.08	-35.05	13.10	17.11	-39.06	-13.00	-26.06	V
7430.79	-32.84	11.50	22.20	-43.54	-13.00	-30.54	V
LTE Band 25 / 15MHz / QPSK / RB Size 1 Offset 0/ The Worst Test Results for Middle							
Frequency(MHz)	S G.Lev (dBm)	Ant(dBi)	Loss	PMea	Limit	Margin	Polarity
				(dBm)	(dBm)	(dBm)	
3765.12	-34.59	12.60	12.93	-34.92	-13.00	-21.92	H
5647.59	-34.63	13.10	17.11	-38.64	-13.00	-25.64	H
7430.13	-32.77	11.50	22.20	-43.47	-13.00	-30.47	H
3765.12	-35.32	12.60	12.93	-35.65	-13.00	-22.65	V
5647.59	-34.14	13.10	17.11	-38.15	-13.00	-25.15	V
7430.13	-31.83	11.50	22.20	-42.53	-13.00	-29.53	V
LTE Band 25 / 15MHz / QPSK / RB Size 1 Offset 0/ The Worst Test Results for Highest							
Frequency(MHz)	S G.Lev (dBm)	Ant(dBi)	Loss	PMea	Limit	Margin	Polarity
				(dBm)	(dBm)	(dBm)	
3815.57	-33.80	12.60	12.93	-34.13	-13.00	-21.13	H
5722.34	-34.77	13.10	17.11	-38.78	-13.00	-25.78	H
7630.43	-32.70	11.50	22.20	-43.40	-13.00	-30.40	H
3815.57	-35.79	12.60	12.93	-36.12	-13.00	-23.12	V
5722.34	-34.67	13.10	17.11	-38.68	-13.00	-25.68	V
7630.43	-33.19	11.50	22.20	-43.89	-13.00	-30.89	V



LTE Band 25 / 20MHz / QPSK / RB Size 1 Offset 0/ The Worst Test Results for Lowest							
Frequency(MHz)	S G.Lev (dBm)	Ant(dBi)	Loss	PMea	Limit	Margin	Polarity
				(dBm)	(dBm)	(dBm)	
3720.06	-33.74	12.60	12.93	-34.07	-13.00	-21.07	H
5580.22	-34.40	13.10	17.11	-38.41	-13.00	-25.41	H
7439.76	-32.56	11.50	22.20	-43.26	-13.00	-30.26	H
3720.06	-35.92	12.60	12.93	-36.25	-13.00	-23.25	V
5580.22	-33.87	13.10	17.11	-37.88	-13.00	-24.88	V
7439.76	-32.91	11.50	22.20	-43.61	-13.00	-30.61	V
LTE Band 25 / 20MHz / QPSK / RB Size 1 Offset 0/ The Worst Test Results for Middle							
Frequency(MHz)	S G.Lev (dBm)	Ant(dBi)	Loss	PMea	Limit	Margin	Polarity
				(dBm)	(dBm)	(dBm)	
3765.05	-34.93	12.60	12.93	-35.26	-13.00	-22.26	H
5647.09	-35.08	13.10	17.11	-39.09	-13.00	-26.09	H
7530.08	-33.07	11.50	22.20	-43.77	-13.00	-30.77	H
3765.05	-35.00	12.60	12.93	-35.33	-13.00	-22.33	V
5647.09	-34.32	13.10	17.11	-38.33	-13.00	-25.33	V
7530.08	-32.42	11.50	22.20	-43.12	-13.00	-30.12	V
LTE Band 25 / 20MHz / QPSK / RB Size 1 Offset 0/ The Worst Test Results for Highest							
Frequency(MHz)	S G.Lev (dBm)	Ant(dBi)	Loss	PMea	Limit	Margin	Polarity
				(dBm)	(dBm)	(dBm)	
3810.13	-34.07	12.60	12.93	-34.40	-13.00	-21.40	H
5715.25	-35.48	13.10	17.11	-39.49	-13.00	-26.49	H
7620.10	-33.46	11.50	22.20	-44.16	-13.00	-31.16	H
3810.13	-35.37	12.60	12.93	-35.70	-13.00	-22.70	V
5715.25	-33.85	13.10	17.11	-37.86	-13.00	-24.86	V
7620.10	-32.65	11.50	22.20	-43.35	-13.00	-30.35	V



LTE Band 26(Part 22) / 1.4MHz / QPSK / RB Size 1 Offset 0/ The Worst Test Results for Lowest							
Frequency(MHz)	S G.Lev (dBm)	Ant(dBi)	Loss	PMea	Limit	Margin	Polarity
				(dBm)	(dBm)	(dBm)	
1649.27	-33.83	9.56	9.72	-33.99	-13.00	-20.99	H
2473.32	-35.33	10.50	10.86	-35.69	-13.00	-22.69	H
3298.62	-33.01	12.78	11.57	-31.80	-13.00	-18.80	H
1649.27	-35.07	9.56	9.72	-35.23	-13.00	-22.23	V
2473.32	-33.87	10.50	10.86	-34.23	-13.00	-21.23	V
3298.62	-32.01	12.78	11.57	-30.80	-13.00	-17.80	V
LTE Band 26(Part 22) / 1.4MHz / QPSK / RB Size 1 Offset 0/ The Worst Test Results for Middle							
Frequency(MHz)	S G.Lev (dBm)	Ant(dBi)	Loss	PMea	Limit	Margin	Polarity
				(dBm)	(dBm)	(dBm)	
1673.07	-34.02	9.56	9.72	-34.18	-13.00	-21.18	H
2509.23	-35.03	10.50	10.86	-35.39	-13.00	-22.39	H
3346.29	-33.13	12.78	11.57	-31.92	-13.00	-18.92	H
1673.07	-35.50	9.56	9.72	-35.66	-13.00	-22.66	V
2509.23	-34.66	10.50	10.86	-35.02	-13.00	-22.02	V
3346.29	-32.62	12.78	11.57	-31.41	-13.00	-18.41	V
LTE Band 26(Part 22) / 1.4MHz / QPSK / RB Size 1 Offset 0/ The Worst Test Results for Highest							
Frequency(MHz)	S G.Lev (dBm)	Ant(dBi)	Loss	PMea	Limit	Margin	Polarity
				(dBm)	(dBm)	(dBm)	
1696.70	-34.10	9.56	9.72	-34.26	-13.00	-21.26	H
2544.47	-34.17	10.50	10.86	-34.53	-13.00	-21.53	H
3393.20	-33.12	12.78	11.57	-31.91	-13.00	-18.91	H
1696.70	-35.51	9.56	9.72	-35.67	-13.00	-22.67	V
2544.47	-34.40	10.50	10.86	-34.76	-13.00	-21.76	V
3393.20	-31.97	12.78	11.57	-30.76	-13.00	-17.76	V



LTE Band 26(Part 22) / 3MHz / QPSK / RB Size 1 Offset 0/ The Worst Test Results for Lowest							
Frequency(MHz)	S G.Lev (dBm)	Ant(dBi)	Loss	PMea	Limit	Margin	Polarity
				(dBm)	(dBm)	(dBm)	
1651.09	-34.08	9.56	9.72	-34.24	-13.00	-21.24	H
2476.21	-34.56	10.50	10.86	-34.92	-13.00	-21.92	H
3301.66	-33.50	12.78	11.57	-32.29	-13.00	-19.29	H
1651.09	-35.14	9.56	9.72	-35.30	-13.00	-22.30	V
2476.21	-33.93	10.50	10.86	-34.29	-13.00	-21.29	V
3301.66	-32.71	12.78	11.57	-31.50	-13.00	-18.50	V
LTE Band 26(Part 22) / 3MHz / QPSK / RB Size 1 Offset 0/ The Worst Test Results for Middle							
Frequency(MHz)	S G.Lev (dBm)	Ant(dBi)	Loss	PMea	Limit	Margin	Polarity
				(dBm)	(dBm)	(dBm)	
1672.92	-33.77	9.56	9.72	-33.93	-13.00	-20.93	H
2508.99	-35.22	10.50	10.86	-35.58	-13.00	-22.58	H
3346.19	-33.00	12.78	11.57	-31.79	-13.00	-18.79	H
1672.92	-35.59	9.56	9.72	-35.75	-13.00	-22.75	V
2508.99	-35.19	10.50	10.86	-35.55	-13.00	-22.55	V
3346.19	-32.18	12.78	11.57	-30.97	-13.00	-17.97	V
LTE Band 26(Part 22) / 3MHz / QPSK / RB Size 1 Offset 0/ The Worst Test Results for Highest							
Frequency(MHz)	S G.Lev (dBm)	Ant(dBi)	Loss	PMea	Limit	Margin	Polarity
				(dBm)	(dBm)	(dBm)	
1695.81	-34.59	9.56	9.72	-34.75	-13.00	-21.75	H
2542.06	-34.59	10.50	10.86	-34.95	-13.00	-21.95	H
3390.13	-33.04	12.78	11.57	-31.83	-13.00	-18.83	H
1695.81	-35.16	9.56	9.72	-35.32	-13.00	-22.32	V
2542.06	-33.91	10.50	10.86	-34.27	-13.00	-21.27	V
3390.13	-32.89	12.78	11.57	-31.68	-13.00	-18.68	V



LTE Band 26(Part 22) / 5MHz / QPSK / RB Size 1 Offset 0/ The Worst Test Results for Lowest							
Frequency(MHz)	S G.Lev (dBm)	Ant(dBi)	Loss	PMea	Limit	Margin	Polarity
				(dBm)	(dBm)	(dBm)	
1652.98	-34.17	9.56	9.72	-34.33	-13.00	-21.33	H
2479.53	-35.39	10.50	10.86	-35.75	-13.00	-22.75	H
3306.63	-33.35	12.78	11.57	-32.14	-13.00	-19.14	H
1652.98	-36.01	9.56	9.72	-36.17	-13.00	-23.17	V
2479.53	-33.86	10.50	10.86	-34.22	-13.00	-21.22	V
3306.63	-32.47	12.78	11.57	-31.26	-13.00	-18.26	V
LTE Band 26(Part 22) / 5MHz / QPSK / RB Size 1 Offset 0/ The Worst Test Results for Middle							
Frequency(MHz)	S G.Lev (dBm)	Ant(dBi)	Loss	PMea	Limit	Margin	Polarity
				(dBm)	(dBm)	(dBm)	
1673.21	-34.56	9.56	9.72	-34.72	-13.00	-21.72	H
2509.06	-34.78	10.50	10.86	-35.14	-13.00	-22.14	H
3346.21	-33.15	12.78	11.57	-31.94	-13.00	-18.94	H
1673.21	-35.94	9.56	9.72	-36.10	-13.00	-23.10	V
2509.06	-34.45	10.50	10.86	-34.81	-13.00	-21.81	V
3346.21	-31.86	12.78	11.57	-30.65	-13.00	-17.65	V
LTE Band 26(Part 22) / 5MHz / QPSK / RB Size 1 Offset 0/ The Worst Test Results for Highest							
Frequency(MHz)	S G.Lev (dBm)	Ant(dBi)	Loss	PMea	Limit	Margin	Polarity
				(dBm)	(dBm)	(dBm)	
1693.68	-33.53	9.56	9.72	-33.69	-13.00	-20.69	H
2539.09	-34.65	10.50	10.86	-35.01	-13.00	-22.01	H
3386.23	-32.85	12.78	11.57	-31.64	-13.00	-18.64	H
1693.68	-34.70	9.56	9.72	-34.86	-13.00	-21.86	V
2539.09	-35.07	10.50	10.86	-35.43	-13.00	-22.43	V
3386.23	-32.22	12.78	11.57	-31.01	-13.00	-18.01	V



LTE Band 26(Part 22) / 10MHz / QPSK / RB Size 1 Offset 0/ The Worst Test Results for Lowest							
Frequency(MHz)	S G.Lev (dBm)	Ant(dBi)	Loss	PMea	Limit	Margin	Polarity
				(dBm)	(dBm)	(dBm)	
1657.75	-33.66	9.56	9.72	-33.82	-13.00	-20.82	H
2486.32	-34.02	10.50	10.86	-34.38	-13.00	-21.38	H
3315.59	-32.39	12.78	11.57	-31.18	-13.00	-18.18	H
1657.75	-35.34	9.56	9.72	-35.50	-13.00	-22.50	V
2486.32	-34.45	10.50	10.86	-34.81	-13.00	-21.81	V
3315.59	-32.86	12.78	11.57	-31.65	-13.00	-18.65	V
LTE Band 26(Part 22) / 10MHz / QPSK / RB Size 1 Offset 0/ The Worst Test Results for Middle							
Frequency(MHz)	S G.Lev (dBm)	Ant(dBi)	Loss	PMea	Limit	Margin	Polarity
				(dBm)	(dBm)	(dBm)	
1672.88	-33.59	9.56	9.72	-33.75	-13.00	-20.75	H
2509.07	-34.90	10.50	10.86	-35.26	-13.00	-22.26	H
3345.91	-33.46	12.78	11.57	-32.25	-13.00	-19.25	H
1672.88	-35.85	9.56	9.72	-36.01	-13.00	-23.01	V
2509.07	-35.03	10.50	10.86	-35.39	-13.00	-22.39	V
3345.91	-31.75	12.78	11.57	-30.54	-13.00	-17.54	V
LTE Band 26(Part 22) / 10MHz / QPSK / RB Size 1 Offset 0/ The Worst Test Results for Highest							
Frequency(MHz)	S G.Lev (dBm)	Ant(dBi)	Loss	PMea	Limit	Margin	Polarity
				(dBm)	(dBm)	(dBm)	
1688.58	-33.81	9.56	9.72	-33.97	-13.00	-20.97	H
2532.32	-35.03	10.50	10.86	-35.39	-13.00	-22.39	H
3376.09	-33.01	12.78	11.57	-31.80	-13.00	-18.80	H
1688.58	-34.54	9.56	9.72	-34.70	-13.00	-21.70	V
2532.32	-35.14	10.50	10.86	-35.50	-13.00	-22.50	V
3376.09	-31.76	12.78	11.57	-30.55	-13.00	-17.55	V



LTE Band 26(Part 22) / 15MHz / QPSK / RB Size 1 Offset 0/ The Worst Test Results for Lowest							
Frequency(MHz)	S G.Lev (dBm)	Ant(dBi)	Loss	PMea	Limit	Margin	Polarity
				(dBm)	( dBm )	(dBm)	
1663.08	-33.76	9.56	9.72	-33.92	-13.00	-20.92	H
2494.44	-34.50	10.50	10.86	-34.86	-13.00	-21.86	H
3325.67	-33.39	12.78	11.57	-32.18	-13.00	-19.18	H
1663.08	-35.67	9.56	9.72	-35.83	-13.00	-22.83	V
2494.44	-35.07	10.50	10.86	-35.43	-13.00	-22.43	V
3325.67	-31.82	12.78	11.57	-30.61	-13.00	-17.61	V
LTE Band 26(Part 22) / 15MHz / QPSK / RB Size 1 Offset 0/ The Worst Test Results for Middle							
Frequency(MHz)	S G.Lev (dBm)	Ant(dBi)	Loss	PMea	Limit	Margin	Polarity
				(dBm)	( dBm )	(dBm)	
1672.85	-34.89	9.56	9.72	-35.05	-13.00	-22.05	H
2508.97	-34.38	10.50	10.86	-34.74	-13.00	-21.74	H
3346.13	-32.80	12.78	11.57	-31.59	-13.00	-18.59	H
1672.85	-35.82	9.56	9.72	-35.98	-13.00	-22.98	V
2508.97	-34.77	10.50	10.86	-35.13	-13.00	-22.13	V
3346.13	-33.14	12.78	11.57	-31.93	-13.00	-18.93	V
LTE Band 26(Part 22) / 15MHz / QPSK / RB Size 1 Offset 0/ The Worst Test Results for Highest							
Frequency(MHz)	S G.Lev (dBm)	Ant(dBi)	Loss	PMea	Limit	Margin	Polarity
				(dBm)	( dBm )	(dBm)	
1683.39	-34.31	9.56	9.72	-34.47	-13.00	-21.47	H
2524.22	-34.44	10.50	10.86	-34.80	-13.00	-21.80	H
3366.62	-33.06	12.78	11.57	-31.85	-13.00	-18.85	H
1683.39	-35.87	9.56	9.72	-36.03	-13.00	-23.03	V
2524.22	-34.91	10.50	10.86	-35.27	-13.00	-22.27	V
3366.62	-32.63	12.78	11.57	-31.42	-13.00	-18.42	V





LTE Band 26(Part 90) / 1.4MHz / QPSK / RB Size 1 Offset 0/ The Worst Test Results for Lowest							
Frequency(MHz)	S G.Lev (dBm)	Ant(dBi)	Loss	PMea	Limit	Margin	Polarity
				(dBm)	(dBm)	(dBm)	
1629.07	-33.74	9.56	9.72	-33.90	-13.00	-20.90	H
2444.01	-34.08	10.50	10.86	-34.44	-13.00	-21.44	H
3258.75	-33.64	12.78	11.57	-32.43	-13.00	-19.43	H
1629.07	-35.68	9.56	9.72	-35.84	-13.00	-22.84	V
2444.01	-34.62	10.50	10.86	-34.98	-13.00	-21.98	V
3258.75	-31.97	12.78	11.57	-30.76	-13.00	-17.76	V
LTE Band 26(Part 90) / 1.4MHz / QPSK / RB Size 1 Offset 0/ The Worst Test Results for Middle							
Frequency(MHz)	S G.Lev (dBm)	Ant(dBi)	Loss	PMea	Limit	Margin	Polarity
				(dBm)	(dBm)	(dBm)	
1638.05	-34.82	9.56	9.72	-34.98	-13.00	-21.98	H
2457.18	-34.12	10.50	10.86	-34.48	-13.00	-21.48	H
3275.87	-32.49	12.78	11.57	-31.28	-13.00	-18.28	H
1638.05	-35.08	9.56	9.72	-35.24	-13.00	-22.24	V
2457.18	-34.45	10.50	10.86	-34.81	-13.00	-21.81	V
3275.87	-32.78	12.78	11.57	-31.57	-13.00	-18.57	V
LTE Band 26(Part 90) / 1.4MHz / QPSK / RB Size 1 Offset 0/ The Worst Test Results for Highest							
Frequency(MHz)	S G.Lev (dBm)	Ant(dBi)	Loss	PMea	Limit	Margin	Polarity
				(dBm)	(dBm)	(dBm)	
1646.26	-34.77	9.56	9.72	-34.93	-13.00	-21.93	H
2456.52	-34.65	10.50	10.86	-35.01	-13.00	-22.01	H
3258.02	-33.32	12.78	11.57	-32.11	-13.00	-19.11	H
1646.26	-34.74	9.56	9.72	-34.90	-13.00	-21.90	V
2456.52	-34.42	10.50	10.86	-34.78	-13.00	-21.78	V
3258.02	-33.18	12.78	11.57	-31.97	-13.00	-18.97	V



LTE Band 26(Part 90) / 3MHz / QPSK / RB Size 1 Offset 0/ The Worst Test Results for Lowest							
Frequency(MHz)	S G.Lev (dBm)	Ant(dBi)	Loss	PMea	Limit	Margin	Polarity
				(dBm)	(dBm)	(dBm)	
1631.28	-34.30	9.56	9.72	-34.46	-13.00	-21.46	H
2446.64	-35.16	10.50	10.86	-35.52	-13.00	-22.52	H
3261.47	-32.80	12.78	11.57	-31.59	-13.00	-18.59	H
1631.28	-35.72	9.56	9.72	-35.88	-13.00	-22.88	V
2446.64	-34.02	10.50	10.86	-34.38	-13.00	-21.38	V
3261.47	-32.29	12.78	11.57	-31.08	-13.00	-18.08	V
LTE Band 26(Part 90) / 3MHz / QPSK / RB Size 1 Offset 0/ The Worst Test Results for Middle							
Frequency(MHz)	S G.Lev (dBm)	Ant(dBi)	Loss	PMea	Limit	Margin	Polarity
				(dBm)	(dBm)	(dBm)	
1637.84	-33.44	9.56	9.72	-33.60	-13.00	-20.60	H
2457.20	-35.10	10.50	10.86	-35.46	-13.00	-22.46	H
3275.86	-32.99	12.78	11.57	-31.78	-13.00	-18.78	H
1637.84	-35.18	9.56	9.72	-35.34	-13.00	-22.34	V
2457.20	-35.04	10.50	10.86	-35.40	-13.00	-22.40	V
3275.86	-32.41	12.78	11.57	-31.20	-13.00	-18.20	V
LTE Band 26(Part 90) / 3MHz / QPSK / RB Size 1 Offset 0/ The Worst Test Results for Highest							
Frequency(MHz)	S G.Lev (dBm)	Ant(dBi)	Loss	PMea	Limit	Margin	Polarity
				(dBm)	(dBm)	(dBm)	
1644.67	-33.59	9.56	9.72	-33.75	-13.00	-20.75	H
2467.24	-34.79	10.50	10.86	-35.15	-13.00	-22.15	H
3276.23	-33.34	12.78	11.57	-32.13	-13.00	-19.13	H
1644.67	-35.26	9.56	9.72	-35.42	-13.00	-22.42	V
2467.24	-35.18	10.50	10.86	-35.54	-13.00	-22.54	V
3276.23	-32.01	12.78	11.57	-30.80	-13.00	-17.80	V



LTE Band 26(Part 90) / 5MHz / QPSK / RB Size 1 Offset 0/ The Worst Test Results for Lowest							
Frequency(MHz)	S G.Lev (dBm)	Ant(dBi)	Loss	PMea	Limit	Margin	Polarity
				(dBm)	(dBm)	(dBm)	
1632.75	-33.58	9.56	9.72	-33.74	-13.00	-20.74	H
2449.22	-34.19	10.50	10.86	-34.55	-13.00	-21.55	H
3266.59	-33.23	12.78	11.57	-32.02	-13.00	-19.02	H
1632.75	-35.82	9.56	9.72	-35.98	-13.00	-22.98	V
2449.22	-33.81	10.50	10.86	-34.17	-13.00	-21.17	V
3266.59	-33.07	12.78	11.57	-31.86	-13.00	-18.86	V

LTE Band 26(Part 90) / 5MHz / QPSK / RB Size 1 Offset 0/ The Worst Test Results for Middle							
Frequency(MHz)	S G.Lev (dBm)	Ant(dBi)	Loss	PMea	Limit	Margin	Polarity
				(dBm)	(dBm)	(dBm)	
1638.18	-34.60	9.56	9.72	-34.76	-13.00	-21.76	H
2457.02	-35.34	10.50	10.86	-35.70	-13.00	-22.70	H
3275.99	-33.12	12.78	11.57	-31.91	-13.00	-18.91	H
1638.18	-35.31	9.56	9.72	-35.47	-13.00	-22.47	V
2457.02	-35.18	10.50	10.86	-35.54	-13.00	-22.54	V
3275.99	-32.43	12.78	11.57	-31.22	-13.00	-18.22	V

LTE Band 26(Part 90) / 5MHz / QPSK / RB Size 1 Offset 0/ The Worst Test Results for Highest							
Frequency(MHz)	S G.Lev (dBm)	Ant(dBi)	Loss	PMea	Limit	Margin	Polarity
				(dBm)	(dBm)	(dBm)	
1642.75	-34.63	9.56	9.72	-34.79	-13.00	-21.79	H
2464.30	-35.05	10.50	10.86	-35.41	-13.00	-22.41	H
3286.32	-32.78	12.78	11.57	-31.57	-13.00	-18.57	H
1642.75	-34.95	9.56	9.72	-35.11	-13.00	-22.11	V
2464.30	-34.22	10.50	10.86	-34.58	-13.00	-21.58	V
3286.32	-31.88	12.78	11.57	-30.67	-13.00	-17.67	V

LTE Band 26(Part 90) / 10MHz / QPSK / RB Size 1 Offset 0/ The Worst Test Results for Middle							
Frequency(MHz)	S G.Lev (dBm)	Ant(dBi)	Loss	PMea	Limit	Margin	Polarity
				(dBm)	(dBm)	(dBm)	
1638.21	-34.89	9.56	9.72	-35.05	-13.00	-22.05	H
2456.84	-35.00	10.50	10.86	-35.36	-13.00	-22.36	H
3275.91	-32.53	12.78	11.57	-31.32	-13.00	-18.32	H
1638.21	-34.56	9.56	9.72	-34.72	-13.00	-21.72	V
2456.84	-34.53	10.50	10.86	-34.89	-13.00	-21.89	V
3275.91	-32.38	12.78	11.57	-31.17	-13.00	-18.17	V



LTE Band 41 / 5MHz / QPSK / RB Size 1 Offset 0/ The Worst Test Results for Lowest							
Frequency(MHz)	S G.Lev (dBm)	Ant(dBi)	Loss	PMea	Limit	Margin	Polarity
				(dBm)	(dBm)	(dBm)	
5114.85	-33.73	12.66	15.86	-36.93	-25.00	-11.93	H
7672.83	-35.43	11.46	19.28	-43.25	-25.00	-18.25	H
10230.19	-33.45	12.79	23.19	-43.85	-25.00	-18.85	H
4997.13	-34.94	12.66	15.86	-38.14	-25.00	-13.14	V
7495.64	-34.87	11.46	19.28	-42.69	-25.00	-17.69	V
9994.16	-32.57	12.79	23.19	-42.97	-25.00	-17.97	V
LTE Band 41 / 5MHz / QPSK / RB Size 1 Offset 0/ The Worst Test Results for Middle							
Frequency(MHz)	S G.Lev (dBm)	Ant(dBi)	Loss	PMea	Limit	Margin	Polarity
				(dBm)	(dBm)	(dBm)	
5209.84	-33.68	12.72	15.86	-36.82	-25.00	-11.82	H
7814.98	-34.80	11.46	19.28	-42.62	-25.00	-17.62	H
10420.02	-33.47	12.09	23.19	-44.57	-25.00	-19.57	H
5209.84	-35.23	12.72	15.86	-38.37	-25.00	-13.37	V
7814.98	-34.29	11.46	19.28	-42.11	-25.00	-17.11	V
10420.02	-32.44	12.09	23.19	-43.54	-25.00	-18.54	V
LTE Band 41 / 5MHz / QPSK / RB Size 1 Offset 0/ The Worst Test Results for Highest							
Frequency(MHz)	S G.Lev (dBm)	Ant(dBi)	Loss	PMea	Limit	Margin	Polarity
				(dBm)	(dBm)	(dBm)	
5304.87	-34.80	12.76	15.86	-37.90	-25.00	-12.90	H
7957.32	-34.48	11.45	19.28	-42.31	-25.00	-17.31	H
10610.01	-33.09	12.28	23.19	-44.00	-25.00	-19.00	H
5304.87	-34.95	12.76	15.86	-38.05	-25.00	-13.05	V
7957.32	-35.24	11.45	19.28	-43.07	-25.00	-18.07	V
10610.01	-33.06	12.28	23.19	-43.97	-25.00	-18.97	V



LTE Band 41 / 10MHz / QPSK / RB Size 1 Offset 0/ The Worst Test Results for Lowest							
Frequency(MHz)	S G.Lev (dBm)	Ant(dBi)	Loss	PMea	Limit	Margin	Polarity
				(dBm)	(dBm)	(dBm)	
5120.14	-34.29	12.66	15.86	-37.49	-25.00	-12.49	H
7679.95	-34.04	11.46	19.28	-41.86	-25.00	-16.86	H
10240.11	-32.21	12.79	23.19	-42.61	-25.00	-17.61	H
5120.14	-35.54	12.66	15.86	-38.74	-25.00	-13.74	V
7679.95	-34.27	11.46	19.28	-42.09	-25.00	-17.09	V
10240.11	-32.68	12.79	23.19	-43.08	-25.00	-18.08	V
LTE Band 41 / 10MHz / QPSK / RB Size 1 Offset 0/ The Worst Test Results for Middle							
Frequency(MHz)	S G.Lev (dBm)	Ant(dBi)	Loss	PMea	Limit	Margin	Polarity
				(dBm)	(dBm)	(dBm)	
5210.04	-34.31	12.72	15.86	-37.45	-25.00	-12.45	H
7815.37	-34.54	11.46	19.28	-42.36	-25.00	-17.36	H
10420.30	-32.98	12.09	23.19	-44.08	-25.00	-19.08	H
5210.04	-34.75	12.72	15.86	-37.89	-25.00	-12.89	V
7815.37	-34.23	11.46	19.28	-42.05	-25.00	-17.05	V
10420.30	-33.17	12.09	23.19	-44.27	-25.00	-19.27	V
LTE Band 41 / 10MHz / QPSK / RB Size 1 Offset 0/ The Worst Test Results for Highest							
Frequency(MHz)	S G.Lev (dBm)	Ant(dBi)	Loss	PMea	Limit	Margin	Polarity
				(dBm)	(dBm)	(dBm)	
5300.04	-34.68	12.76	15.86	-37.78	-25.00	-12.78	H
7950.25	-34.41	11.45	19.28	-42.24	-25.00	-17.24	H
10600.18	-32.80	12.28	23.19	-43.71	-25.00	-18.71	H
5300.04	-35.17	12.76	15.86	-38.27	-25.00	-13.27	V
7950.25	-34.11	11.45	19.28	-41.94	-25.00	-16.94	V
10600.18	-32.33	12.28	23.19	-43.24	-25.00	-18.24	V



LTE Band 41 / 15MHz / QPSK / RB Size 1 Offset 0/ The Worst Test Results for Lowest							
Frequency(MHz)	S G.Lev (dBm)	Ant(dBi)	Loss	PMea	Limit	Margin	Polarity
				(dBm)	(dBm)	(dBm)	
5125.09	-33.59	12.66	15.86	-36.79	-25.00	-11.79	H
7687.84	-35.30	11.46	19.28	-43.12	-25.00	-18.12	H
10250.37	-33.65	12.79	23.19	-44.05	-25.00	-19.05	H
5125.09	-35.06	12.66	15.86	-38.26	-25.00	-13.26	V
7687.84	-34.05	11.46	19.28	-41.87	-25.00	-16.87	V
10250.37	-33.14	12.79	23.19	-43.54	-25.00	-18.54	V
LTE Band 41 / 15MHz / QPSK / RB Size 1 Offset 0/ The Worst Test Results for Middle							
Frequency(MHz)	S G.Lev (dBm)	Ant(dBi)	Loss	PMea	Limit	Margin	Polarity
				(dBm)	(dBm)	(dBm)	
5209.79	-34.66	12.72	15.86	-37.80	-25.00	-12.80	H
7815.27	-34.13	11.46	19.28	-41.95	-25.00	-16.95	H
10420.16	-32.20	12.09	23.19	-43.30	-25.00	-18.30	H
5209.79	-35.67	12.72	15.86	-38.81	-25.00	-13.81	V
7815.27	-34.00	11.46	19.28	-41.82	-25.00	-16.82	V
10420.16	-31.92	12.09	23.19	-43.02	-25.00	-18.02	V
LTE Band 41 / 15MHz / QPSK / RB Size 1 Offset 0/ The Worst Test Results for Highest							
Frequency(MHz)	S G.Lev (dBm)	Ant(dBi)	Loss	PMea	Limit	Margin	Polarity
				(dBm)	(dBm)	(dBm)	
5209.79	-34.66	12.76	15.86	-37.76	-25.00	-12.76	H
7815.27	-34.13	11.45	19.28	-41.96	-25.00	-16.96	H
10420.16	-32.20	12.28	23.19	-43.11	-25.00	-18.11	H
5209.79	-35.67	12.76	15.86	-38.77	-25.00	-13.77	V
7815.27	-34.00	11.45	19.28	-41.83	-25.00	-16.83	V
10420.16	-31.92	12.28	23.19	-42.83	-25.00	-17.83	V



LTE Band 41 / 20MHz / QPSK / RB Size 1 Offset 0/ The Worst Test Results for Lowest							
Frequency(MHz)	S G.Lev (dBm)	Ant(dBi)	Loss	PMea	Limit	Margin	Polarity
				(dBm)	(dBm)	(dBm)	
5129.89	-33.93	12.66	15.86	-37.13	-25.00	-12.13	H
7694.98	-34.64	11.46	19.28	-42.46	-25.00	-17.46	H
10260.09	-32.76	12.79	23.19	-43.16	-25.00	-18.16	H
5129.89	-34.83	12.66	15.86	-38.03	-25.00	-13.03	V
7694.98	-34.26	11.46	19.28	-42.08	-25.00	-17.08	V
10260.09	-32.99	12.79	23.19	-43.39	-25.00	-18.39	V
LTE Band 41 / 20MHz / QPSK / RB Size 1 Offset 0/ The Worst Test Results for Middle							
Frequency(MHz)	S G.Lev (dBm)	Ant(dBi)	Loss	PMea	Limit	Margin	Polarity
				(dBm)	(dBm)	(dBm)	
5210.05	-34.06	12.72	15.86	-37.20	-25.00	-12.20	H
7815.38	-34.17	11.46	19.28	-41.99	-25.00	-16.99	H
10419.97	-32.46	12.09	23.19	-43.56	-25.00	-18.56	H
5210.05	-34.89	12.72	15.86	-38.03	-25.00	-13.03	V
7815.38	-34.65	11.46	19.28	-42.47	-25.00	-17.47	V
10419.97	-32.63	12.09	23.19	-43.73	-25.00	-18.73	V
LTE Band 41 / 20MHz / QPSK / RB Size 1 Offset 0/ The Worst Test Results for Highest							
Frequency(MHz)	S G.Lev (dBm)	Ant(dBi)	Loss	PMea	Limit	Margin	Polarity
				(dBm)	(dBm)	(dBm)	
5289.84	-34.71	12.76	15.86	-37.81	-25.00	-12.81	H
7934.90	-35.04	11.45	19.28	-42.87	-25.00	-17.87	H
10579.87	-33.62	12.28	23.19	-44.53	-25.00	-19.53	H
5289.84	-34.77	12.76	15.86	-37.87	-25.00	-12.87	V
7934.90	-35.12	11.45	19.28	-42.95	-25.00	-17.95	V
10579.87	-33.21	12.28	23.19	-44.12	-25.00	-19.12	V





LTE Band 66 / 1.4MHz / QPSK / RB Size 1 Offset 0/ The Worst Test Results for Lowest							
Frequency(MHz)	S G.Lev (dBm)	Ant(dBi)	Loss	PMea	Limit	Margin	Polarity
				(dBm)	(dBm)	(dBm)	
3421.41	-34.35	12.90	12.56	-34.01	-13.00	-21.01	H
5131.90	-34.79	13.10	16.32	-38.01	-13.00	-25.01	H
6842.40	-32.95	12.33	21.13	-41.75	-13.00	-28.75	H
3421.41	-35.28	12.90	12.56	-34.94	-13.00	-21.94	V
5131.90	-34.12	13.10	16.32	-37.34	-13.00	-24.34	V
6842.40	-33.01	12.33	21.13	-41.81	-13.00	-28.81	V
LTE Band 66 / 1.4MHz / QPSK / RB Size 1 Offset 0/ The Worst Test Results for Middle							
Frequency(MHz)	S G.Lev (dBm)	Ant(dBi)	Loss	PMea	Limit	Margin	Polarity
				(dBm)	(dBm)	(dBm)	
3489.92	-33.89	12.90	12.56	-33.55	-13.00	-20.55	H
5234.93	-34.75	13.10	16.32	-37.97	-13.00	-24.97	H
6979.95	-32.19	12.33	21.13	-40.99	-13.00	-27.99	H
3489.92	-35.61	12.90	12.56	-35.27	-13.00	-22.27	V
5234.93	-34.05	13.10	16.32	-37.27	-13.00	-24.27	V
6979.95	-32.05	12.33	21.13	-40.85	-13.00	-27.85	V
LTE Band 66 / 1.4MHz / QPSK / RB Size 1 Offset 0/ The Worst Test Results for Highest							
Frequency(MHz)	S G.Lev (dBm)	Ant(dBi)	Loss	PMea	Limit	Margin	Polarity
				(dBm)	(dBm)	(dBm)	
3557.81	-34.25	12.90	12.56	-33.91	-13.00	-20.91	H
5337.03	-35.41	13.10	16.32	-38.63	-13.00	-25.63	H
7116.98	-33.13	12.33	21.13	-41.93	-13.00	-28.93	H
3557.81	-34.80	12.90	12.56	-34.46	-13.00	-21.46	V
5337.03	-34.94	13.10	16.32	-38.16	-13.00	-25.16	V
7116.98	-32.52	12.33	21.13	-41.32	-13.00	-28.32	V



LTE Band 66 / 3MHz / QPSK / RB Size 1 Offset 0/ The Worst Test Results for Lowest							
Frequency(MHz)	S G.Lev (dBm)	Ant(dBi)	Loss	PMea	Limit	Margin	Polarity
				(dBm)	(dBm)	(dBm)	
3423.11	-34.65	12.90	12.56	-34.31	-13.00	-21.31	H
5134.43	-34.59	13.10	16.32	-37.81	-13.00	-24.81	H
6845.77	-32.24	12.33	21.13	-41.04	-13.00	-28.04	H
3423.11	-34.92	12.90	12.56	-34.58	-13.00	-21.58	V
5134.43	-34.11	13.10	16.32	-37.33	-13.00	-24.33	V
6845.77	-32.17	12.33	21.13	-40.97	-13.00	-27.97	V
LTE Band 66 / 3MHz / QPSK / RB Size 1 Offset 0/ The Worst Test Results for Middle							
Frequency(MHz)	S G.Lev (dBm)	Ant(dBi)	Loss	PMea	Limit	Margin	Polarity
				(dBm)	(dBm)	(dBm)	
3490.03	-34.75	12.90	12.56	-34.41	-13.00	-21.41	H
5234.87	-34.08	13.10	16.32	-37.30	-13.00	-24.30	H
6979.96	-32.32	12.33	21.13	-41.12	-13.00	-28.12	H
3490.03	-34.64	12.90	12.56	-34.30	-13.00	-21.30	V
5234.87	-33.98	13.10	16.32	-37.20	-13.00	-24.20	V
6979.96	-32.29	12.33	21.13	-41.09	-13.00	-28.09	V
LTE Band 66 / 3MHz / QPSK / RB Size 1 Offset 0/ The Worst Test Results for Highest							
Frequency(MHz)	S G.Lev (dBm)	Ant(dBi)	Loss	PMea	Limit	Margin	Polarity
				(dBm)	(dBm)	(dBm)	
3556.95	-34.08	12.90	12.56	-33.74	-13.00	-20.74	H
5262.17	-35.46	13.10	16.32	-38.68	-13.00	-25.68	H
7114.05	-33.56	12.33	21.13	-42.36	-13.00	-29.36	H
3556.95	-34.86	12.90	12.56	-34.52	-13.00	-21.52	V
5262.17	-33.81	13.10	16.32	-37.03	-13.00	-24.03	V
7114.05	-32.53	12.33	21.13	-41.33	-13.00	-28.33	V



LTE Band 66 / 5MHz / QPSK / RB Size 1 Offset 0/ The Worst Test Results for Lowest							
Frequency(MHz)	S G.Lev (dBm)	Ant(dBi)	Loss	PMea	Limit	Margin	Polarity
				(dBm)	(dBm)	(dBm)	
3425.01	-34.30	12.90	12.56	-33.96	-13.00	-20.96	H
5137.10	-34.70	13.10	16.32	-37.92	-13.00	-24.92	H
6850.39	-33.65	12.33	21.13	-42.45	-13.00	-29.45	H
3425.01	-35.56	12.90	12.56	-35.22	-13.00	-22.22	V
5137.10	-34.81	13.10	16.32	-38.03	-13.00	-25.03	V
6850.39	-33.11	12.33	21.13	-41.91	-13.00	-28.91	V
LTE Band 66 / 5MHz / QPSK / RB Size 1 Offset 0/ The Worst Test Results for Middle							
Frequency(MHz)	S G.Lev (dBm)	Ant(dBi)	Loss	PMea	Limit	Margin	Polarity
				(dBm)	(dBm)	(dBm)	
3489.95	-34.15	12.90	12.56	-33.81	-13.00	-20.81	H
5235.14	-34.55	13.10	16.32	-37.77	-13.00	-24.77	H
6980.26	-33.28	12.33	21.13	-42.08	-13.00	-29.08	H
3489.95	-34.71	12.90	12.56	-34.37	-13.00	-21.37	V
5235.14	-34.14	13.10	16.32	-37.36	-13.00	-24.36	V
6980.26	-32.11	12.33	21.13	-40.91	-13.00	-27.91	V
LTE Band 66 / 5MHz / QPSK / RB Size 1 Offset 0/ The Worst Test Results for Highest							
Frequency(MHz)	S G.Lev (dBm)	Ant(dBi)	Loss	PMea	Limit	Margin	Polarity
				(dBm)	(dBm)	(dBm)	
3558.07	-33.59	12.90	12.56	-33.25	-13.00	-20.25	H
52353.80	-34.42	13.10	16.32	-37.64	-13.00	-24.64	H
7110.16	-33.50	12.33	21.13	-42.30	-13.00	-29.30	H
3558.07	-35.99	12.90	12.56	-35.65	-13.00	-22.65	V
52353.80	-34.41	13.10	16.32	-37.63	-13.00	-24.63	V
7110.16	-32.12	12.33	21.13	-40.92	-13.00	-27.92	V



LTE Band 66 / 10MHz / QPSK / RB Size 1 Offset 0/ The Worst Test Results for Lowest							
Frequency(MHz)	S G.Lev (dBm)	Ant(dBi)	Loss	PMea	Limit	Margin	Polarity
				(dBm)	(dBm)	(dBm)	
3429.92	-33.62	12.90	12.56	-33.28	-13.00	-20.28	H
5145.14	-34.36	13.10	16.32	-37.58	-13.00	-24.58	H
6879.86	-32.61	12.33	21.13	-41.41	-13.00	-28.41	H
3429.92	-34.66	12.90	12.56	-34.32	-13.00	-21.32	V
5145.14	-35.11	13.10	16.32	-38.33	-13.00	-25.33	V
6879.86	-33.06	12.33	21.13	-41.86	-13.00	-28.86	V
LTE Band 66 / 10MHz / QPSK / RB Size 1 Offset 0/ The Worst Test Results for Middle							
Frequency(MHz)	S G.Lev (dBm)	Ant(dBi)	Loss	PMea	Limit	Margin	Polarity
				(dBm)	(dBm)	(dBm)	
3490.06	-33.56	12.90	12.56	-33.22	-13.00	-20.22	H
5234.93	-34.08	13.10	16.32	-37.30	-13.00	-24.30	H
6979.82	-32.18	12.33	21.13	-40.98	-13.00	-27.98	H
3490.06	-34.91	12.90	12.56	-34.57	-13.00	-21.57	V
5234.93	-34.13	13.10	16.32	-37.35	-13.00	-24.35	V
6979.82	-32.23	12.33	21.13	-41.03	-13.00	-28.03	V
LTE Band 66 / 10MHz / QPSK / RB Size 1 Offset 0/ The Worst Test Results for Highest							
Frequency(MHz)	S G.Lev (dBm)	Ant(dBi)	Loss	PMea	Limit	Margin	Polarity
				(dBm)	(dBm)	(dBm)	
3550.38	-34.02	12.90	12.56	-33.68	-13.00	-20.68	H
5235.32	-34.98	13.10	16.32	-38.20	-13.00	-25.20	H
7100.18	-33.05	12.33	21.13	-41.85	-13.00	-28.85	H
3550.38	-35.36	12.90	12.56	-35.02	-13.00	-22.02	V
5235.32	-33.86	13.10	16.32	-37.08	-13.00	-24.08	V
7100.18	-33.02	12.33	21.13	-41.82	-13.00	-28.82	V



LTE Band 66 / 15MHz / QPSK / RB Size 1 Offset 0/ The Worst Test Results for Lowest							
Frequency(MHz)	S G.Lev (dBm)	Ant(dBi)	Loss	PMea	Limit	Margin	Polarity
				(dBm)	(dBm)	(dBm)	
3435.04	-34.80	12.90	12.56	-34.46	-13.00	-21.46	H
5152.45	-35.15	13.10	16.32	-38.37	-13.00	-25.37	H
6869.82	-32.88	12.33	21.13	-41.68	-13.00	-28.68	H
3435.04	-34.70	12.90	12.56	-34.36	-13.00	-21.36	V
5152.45	-34.99	13.10	16.32	-38.21	-13.00	-25.21	V
6869.82	-32.23	12.33	21.13	-41.03	-13.00	-28.03	V
LTE Band 66 / 15MHz / QPSK / RB Size 1 Offset 0/ The Worst Test Results for Middle							
Frequency(MHz)	S G.Lev (dBm)	Ant(dBi)	Loss	PMea	Limit	Margin	Polarity
				(dBm)	(dBm)	(dBm)	
3490.18	-34.79	12.90	12.56	-34.45	-13.00	-21.45	H
5235.13	-35.11	13.10	16.32	-38.33	-13.00	-25.33	H
6979.91	-32.97	12.33	21.13	-41.77	-13.00	-28.77	H
3490.18	-34.73	12.90	12.56	-34.39	-13.00	-21.39	V
5235.13	-35.17	13.10	16.32	-38.39	-13.00	-25.39	V
6979.91	-32.34	12.33	21.13	-41.14	-13.00	-28.14	V
LTE Band 66 / 15MHz / QPSK / RB Size 1 Offset 0/ The Worst Test Results for Highest							
Frequency(MHz)	S G.Lev (dBm)	Ant(dBi)	Loss	PMea	Limit	Margin	Polarity
				(dBm)	(dBm)	(dBm)	
3544.89	-34.59	12.90	12.56	-34.25	-13.00	-21.25	H
5332.56	-34.98	13.10	16.32	-38.20	-13.00	-25.20	H
7089.74	-32.18	12.33	21.13	-40.98	-13.00	-27.98	H
3544.89	-34.84	12.90	12.56	-34.50	-13.00	-21.50	V
5332.56	-34.03	13.10	16.32	-37.25	-13.00	-24.25	V
7089.74	-32.07	12.33	21.13	-40.87	-13.00	-27.87	V



LTE Band 66 / 20MHz / QPSK / RB Size 1 Offset 0/ The Worst Test Results for Lowest							
Frequency(MHz)	S G.Lev (dBm)	Ant(dBi)	Loss	PMea	Limit	Margin	Polarity
				(dBm)	(dBm)	(dBm)	
3440.04	-34.67	12.90	12.56	-34.33	-13.00	-21.33	H
5160.01	-34.30	13.10	16.32	-37.52	-13.00	-24.52	H
6879.95	-32.66	12.33	21.13	-41.46	-13.00	-28.46	H
3440.04	-34.80	12.90	12.56	-34.46	-13.00	-21.46	V
5160.01	-35.11	13.10	16.32	-38.33	-13.00	-25.33	V
6879.95	-32.99	12.33	21.13	-41.79	-13.00	-28.79	V
LTE Band 66 / 20MHz / QPSK / RB Size 1 Offset 0/ The Worst Test Results for Middle							
Frequency(MHz)	S G.Lev (dBm)	Ant(dBi)	Loss	PMea	Limit	Margin	Polarity
				(dBm)	(dBm)	(dBm)	
3490.22	-33.49	12.90	12.56	-33.15	-13.00	-20.15	H
5235.24	-35.08	13.10	16.32	-38.30	-13.00	-25.30	H
6980.04	-32.67	12.33	21.13	-41.47	-13.00	-28.47	H
3490.22	-35.97	12.90	12.56	-35.63	-13.00	-22.63	V
5235.24	-35.15	13.10	16.32	-38.37	-13.00	-25.37	V
6980.04	-32.14	12.33	21.13	-40.94	-13.00	-27.94	V
LTE Band 66 / 20MHz / QPSK / RB Size 1 Offset 0/ The Worst Test Results for Highest							
Frequency(MHz)	S G.Lev (dBm)	Ant(dBi)	Loss	PMea	Limit	Margin	Polarity
				(dBm)	(dBm)	(dBm)	
3539.90	-34.23	12.90	12.56	-33.89	-13.00	-20.89	H
5310.08	-34.51	13.10	16.32	-37.73	-13.00	-24.73	H
7080.75	-33.43	12.33	21.13	-42.23	-13.00	-29.23	H
3539.90	-34.63	12.90	12.56	-34.29	-13.00	-21.29	V
5310.08	-33.90	13.10	16.32	-37.12	-13.00	-24.12	V
7080.75	-32.83	12.33	21.13	-41.63	-13.00	-28.63	V



LTE Band 71 / 5MHz / QPSK / RB Size 1 Offset 0/ The Worst Test Results for Lowest							
Frequency(MHz)	S G.Lev (dBm)	Ant(dBi)	Loss	PMea	Limit	Margin	Polarity
				(dBm)	(dBm)	(dBm)	
1330.84	-33.51	8.17	9.34	-34.68	-13.00	-21.68	H
1966.61	-34.48	9.53	10.42	-35.37	-13.00	-22.37	H
2662.00	-32.27	11.27	11.12	-32.12	-13.00	-19.12	H
1330.84	-35.74	8.17	9.34	-36.91	-13.00	-23.91	V
1966.61	-34.89	9.53	10.42	-35.78	-13.00	-22.78	V
2662.00	-32.24	11.27	11.12	-32.09	-13.00	-19.09	V
LTE Band 71 / 5MHz / QPSK / RB Size 1 Offset 0/ The Worst Test Results for Middle							
Frequency(MHz)	S G.Lev (dBm)	Ant(dBi)	Loss	PMea	Limit	Margin	Polarity
				(dBm)	(dBm)	(dBm)	
1361.20	-33.82	8.17	9.34	-34.99	-13.00	-21.99	H
2041.24	-35.11	9.53	10.42	-36.00	-13.00	-23.00	H
2722.05	-33.05	11.27	11.12	-32.90	-13.00	-19.90	H
1361.20	-35.52	8.17	9.34	-36.69	-13.00	-23.69	V
2041.24	-34.84	9.53	10.42	-35.73	-13.00	-22.73	V
2722.05	-32.72	11.27	11.12	-32.57	-13.00	-19.57	V
LTE Band 71 / 5MHz / QPSK / RB Size 1 Offset 0/ The Worst Test Results for Highest							
Frequency(MHz)	S G.Lev (dBm)	Ant(dBi)	Loss	PMea	Limit	Margin	Polarity
				(dBm)	(dBm)	(dBm)	
1390.87	-34.46	8.17	9.34	-35.63	-13.00	-22.63	H
2085.90	-35.31	9.53	10.42	-36.20	-13.00	-23.20	H
2781.98	-32.31	11.27	11.12	-32.16	-13.00	-19.16	H
1390.87	-35.43	8.17	9.34	-36.60	-13.00	-23.60	V
2085.90	-35.22	9.53	10.42	-36.11	-13.00	-23.11	V
2781.98	-31.96	11.27	11.12	-31.81	-13.00	-18.81	V





LTE Band 71 / 10MHz / QPSK / RB Size 1 Offset 0/ The Worst Test Results for Lowest							
Frequency(MHz)	S G.Lev (dBm)	Ant(dBi)	Loss	PMea	Limit	Margin	Polarity
				(dBm)	(dBm)	(dBm)	
1335.81	-34.21	8.17	9.34	-35.38	-13.00	-22.38	H
2004.00	-34.24	9.53	10.42	-35.13	-13.00	-22.13	H
2672.02	-32.30	11.27	11.12	-32.15	-13.00	-19.15	H
1335.81	-35.28	8.17	9.34	-36.45	-13.00	-23.45	V
2004.00	-35.22	9.53	10.42	-36.11	-13.00	-23.11	V
2672.02	-32.33	11.27	11.12	-32.18	-13.00	-19.18	V
LTE Band 71 / 10MHz / QPSK / RB Size 1 Offset 0/ The Worst Test Results for Middle							
Frequency(MHz)	S G.Lev (dBm)	Ant(dBi)	Loss	PMea	Limit	Margin	Polarity
				(dBm)	(dBm)	(dBm)	
1361.03	-34.24	8.17	9.34	-35.41	-13.00	-22.41	H
2041.28	-34.01	9.53	10.42	-34.90	-13.00	-21.90	H
2721.75	-33.30	11.27	11.12	-33.15	-13.00	-20.15	H
1361.03	-34.59	8.17	9.34	-35.76	-13.00	-22.76	V
2041.28	-34.88	9.53	10.42	-35.77	-13.00	-22.77	V
2721.75	-32.05	11.27	11.12	-31.90	-13.00	-18.90	V
LTE Band 71 / 10MHz / QPSK / RB Size 1 Offset 0/ The Worst Test Results for Highest							
Frequency(MHz)	S G.Lev (dBm)	Ant(dBi)	Loss	PMea	Limit	Margin	Polarity
				(dBm)	(dBm)	(dBm)	
1385.89	-34.75	8.17	9.34	-35.92	-13.00	-22.92	H
2078.98	-34.96	9.53	10.42	-35.85	-13.00	-22.85	H
2721.81	-33.06	11.27	11.12	-32.91	-13.00	-19.91	H
1385.89	-34.96	8.17	9.34	-36.13	-13.00	-23.13	V
2078.98	-34.35	9.53	10.42	-35.24	-13.00	-22.24	V
2721.81	-32.27	11.27	11.12	-32.12	-13.00	-19.12	V



LTE Band 71 / 15MHz / QPSK / RB Size 1 Offset 0/ The Worst Test Results for Lowest							
Frequency(MHz)	S G.Lev (dBm)	Ant(dBi)	Loss	PMea	Limit	Margin	Polarity
				(dBm)	(dBm)	(dBm)	
1340.98	-34.47	8.17	9.34	-35.64	-13.00	-22.64	H
2010.94	-35.11	9.53	10.42	-36.00	-13.00	-23.00	H
2681.93	-33.52	11.27	11.12	-33.37	-13.00	-20.37	H
1340.98	-34.84	8.17	9.34	-36.01	-13.00	-23.01	V
2010.94	-34.27	9.53	10.42	-35.16	-13.00	-22.16	V
2681.93	-32.12	11.27	11.12	-31.97	-13.00	-18.97	V
LTE Band 71 / 15MHz / QPSK / RB Size 1 Offset 0/ The Worst Test Results for Middle							
Frequency(MHz)	S G.Lev (dBm)	Ant(dBi)	Loss	PMea	Limit	Margin	Polarity
				(dBm)	(dBm)	(dBm)	
1361.28	-33.84	8.17	9.34	-35.01	-13.00	-22.01	H
2041.54	-34.13	9.53	10.42	-35.02	-13.00	-22.02	H
2721.71	-33.38	11.27	11.12	-33.23	-13.00	-20.23	H
1361.28	-35.43	8.17	9.34	-36.60	-13.00	-23.60	V
2041.54	-34.20	9.53	10.42	-35.09	-13.00	-22.09	V
2721.71	-33.07	11.27	11.12	-32.92	-13.00	-19.92	V
LTE Band 71 / 15MHz / QPSK / RB Size 1 Offset 0/ The Worst Test Results for Highest							
Frequency(MHz)	S G.Lev (dBm)	Ant(dBi)	Loss	PMea	Limit	Margin	Polarity
				(dBm)	(dBm)	(dBm)	
1380.94	-34.62	8.17	9.34	-35.79	-13.00	-22.79	H
2071.14	-35.30	9.53	10.42	-36.19	-13.00	-23.19	H
2762.19	-32.47	11.27	11.12	-32.32	-13.00	-19.32	H
1380.94	-35.79	8.17	9.34	-36.96	-13.00	-23.96	V
2071.14	-34.68	9.53	10.42	-35.57	-13.00	-22.57	V
2762.19	-32.09	11.27	11.12	-31.94	-13.00	-18.94	V



LTE Band 71 / 20MHz / QPSK / RB Size 1 Offset 0/ The Worst Test Results for Lowest							
Frequency(MHz)	S G.Lev (dBm)	Ant(dBi)	Loss	PMea	Limit	Margin	Polarity
				(dBm)	(dBm)	(dBm)	
1346.05	-34.82	8.17	9.34	-35.99	-13.00	-22.99	H
2019.00	-35.24	9.53	10.42	-36.13	-13.00	-23.13	H
2691.86	-32.60	11.27	11.12	-32.45	-13.00	-19.45	H
1346.05	-35.89	8.17	9.34	-37.06	-13.00	-24.06	V
2019.00	-34.93	9.53	10.42	-35.82	-13.00	-22.82	V
2691.86	-32.09	11.27	11.12	-31.94	-13.00	-18.94	V
LTE Band 71 / 20MHz / QPSK / RB Size 1 Offset 0/ The Worst Test Results for Middle							
Frequency(MHz)	S G.Lev (dBm)	Ant(dBi)	Loss	PMea	Limit	Margin	Polarity
				(dBm)	(dBm)	(dBm)	
1361.25	-34.51	8.17	9.34	-35.68	-13.00	-22.68	H
2041.20	-35.34	9.53	10.42	-36.23	-13.00	-23.23	H
2721.82	-33.62	11.27	11.12	-33.47	-13.00	-20.47	H
1361.25	-34.97	8.17	9.34	-36.14	-13.00	-23.14	V
2041.20	-34.61	9.53	10.42	-35.50	-13.00	-22.50	V
2721.82	-33.05	11.27	11.12	-32.90	-13.00	-19.90	V
LTE Band 71 / 20MHz / QPSK / RB Size 1 Offset 0/ The Worst Test Results for Highest							
Frequency(MHz)	S G.Lev (dBm)	Ant(dBi)	Loss	PMea	Limit	Margin	Polarity
				(dBm)	(dBm)	(dBm)	
1376.16	-34.68	8.17	9.34	-35.85	-13.00	-22.85	H
2063.88	-34.52	9.53	10.42	-35.41	-13.00	-22.41	H
2751.75	-33.54	11.27	11.12	-33.39	-13.00	-20.39	H
1376.16	-35.81	8.17	9.34	-36.98	-13.00	-23.98	V
2063.88	-34.44	9.53	10.42	-35.33	-13.00	-22.33	V
2751.75	-32.43	11.27	11.12	-32.28	-13.00	-19.28	V

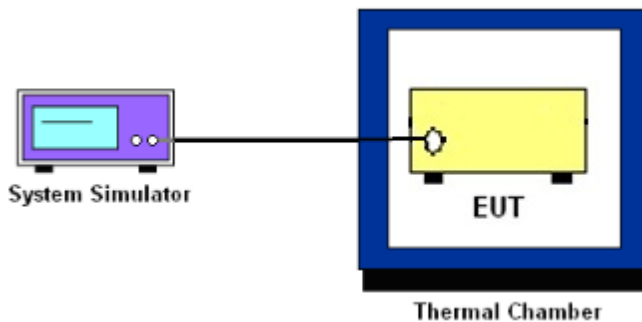
## 10. FREQUENCY STABILITY

### 10.1 DESCRIPTION OF FREQUENCY STABILITY MEASUREMENT

#### 10.1.1 MEASUREMENT METHOD

The frequency stability shall be measured by variation of ambient temperature and variation of primary supply voltage to ensure that the fundamental emission stays within the authorized frequency block. The frequency stability of the transmitter shall be maintained within  $\pm 0.00025\%$  ( $\pm 2.5\text{ppm}$ ) of the center frequency.

#### 10.1.2 TEST SETUP



#### 10.1.3 TEST PROCEDURES FOR TEMPERATURE VARIATION

1. The EUT was set up in the thermal chamber and connected with the system simulator.
2. With power OFF, the temperature was decreased to  $-30^{\circ}\text{C}$  and the EUT was stabilized before testing. Power was applied and the maximum change in frequency was recorded within one minute.
3. With power OFF, the temperature was raised in  $10^{\circ}\text{C}$  step up to  $50^{\circ}\text{C}$ . The EUT was stabilized at each step for at least half an hour. Power was applied and the maximum frequency change was recorded within one minute.

#### 10.1.4 TEST PROCEDURES FOR VOLTAGE VARIATION

1. The testing follows FCC KDB 971168 D01v01r03 Section 9.
2. The EUT was placed in a temperature chamber at  $25\pm 5^{\circ}\text{C}$  and connected with the system simulator.
3. The power supply voltage to the EUT was varied from 85% to 115% of the nominal value measured at the input to the EUT.
4. The variation in frequency was measured for the worst case.



10.1.5 TEST RESULTS

LTE Band 2 (QPSK) / 1880MHz / BW10M					
Temperature (°C)	Voltage	Freq. Dev.	Freq. Dev.	Limit	Result
	(Volt)	(Hz)	(ppm)		
50	Normal Voltage	18.71	0.010	2.5ppm	PASS
40		33.55	0.018		
30		30.94	0.016		
20		32.72	0.017		
10		16.56	0.009		
0		20.75	0.011		
-10		23.22	0.012		
-20		12.39	0.007		
-30		17.12	0.009		
20		Maximum Voltage	33.87		
20	BEP	20.17	0.011		

LTE Band 2 (QPSK) / 1880MHz / BW20M					
Temperature (°C)	Voltage	Freq. Dev.	Freq. Dev.	Limit	Result
	(Volt)	(Hz)	(ppm)		
50	Normal Voltage	19.20	0.010	2.5ppm	PASS
40		23.43	0.012		
30		13.31	0.007		
20		13.97	0.007		
10		24.15	0.013		
0		32.89	0.017		
-10		24.43	0.013		
-20		25.60	0.014		
-30		13.40	0.007		
20		Maximum Voltage	28.45		
20	BEP	31.05	0.017		



LTE Band 4 (QPSK) / 1733MHz / BW10M					
Temperature (°C)	Voltage	Freq. Dev.	Freq. Dev.	Limit	Result
	(Volt)	(Hz)	(ppm)		
50	Normal Voltage	30.15	0.017	2.5ppm	PASS
40		35.81	0.021		
30		22.28	0.013		
20		28.07	0.016		
10		25.25	0.015		
0		30.43	0.018		
-10		19.75	0.011		
-20		34.78	0.020		
-30		21.74	0.013		
20		Maximum Voltage	27.80		
20	BEP	25.30	0.015		

LTE Band 4 (QPSK) / 1733MHz / BW20M					
Temperature (°C)	Voltage	Freq. Dev.	Freq. Dev.	Limit	Result
	(Volt)	(Hz)	(ppm)		
50	Normal Voltage	32.20	0.019	2.5ppm	PASS
40		14.48	0.008		
30		12.26	0.007		
20		16.90	0.010		
10		35.65	0.021		
0		22.55	0.013		
-10		18.09	0.010		
-20		25.50	0.015		
-30		30.54	0.018		
20		Maximum Voltage	28.81		
20	BEP	36.06	0.021		



LTE Band 5 (QPSK) / 836.5MHz / BW5M					
Temperature (°C)	Voltage	Freq. Dev.	Freq. Dev.	Limit	Result
	(Volt)	(Hz)	(ppm)		
50	Normal Voltage	30.48	0.043	2.5ppm	PASS
40		12.11	0.017		
30		36.50	0.051		
20		34.51	0.049		
10		31.71	0.045		
0		27.15	0.038		
-10		25.85	0.004		
-20		21.31	0.030		
-30		27.56	0.039		
20		Maximum Voltage	17.68		
20	BEP	31.09	0.044		

LTE Band 5 (QPSK) / 836.5MHz / BW10M					
Temperature (°C)	Voltage	Freq. Dev.	Freq. Dev.	Limit	Result
	(Volt)	(Hz)	(ppm)		
50	Normal Voltage	21.70	0.031	2.5ppm	PASS
40		26.17	0.037		
30		27.85	0.039		
20		23.31	0.033		
10		15.32	0.022		
0		16.60	0.023		
-10		19.00	0.003		
-20		11.71	0.016		
-30		11.94	0.017		
20		Maximum Voltage	34.13		
20	BEP	25.57	0.036		





LTE Band 7 (QPSK) / 2535MHz / BW10M					
Temperature (°C)	Voltage	Freq. Dev.	Freq. Dev.	Limit	Result
	(Volt)	(Hz)	(ppm)		
50	Normal Voltage	19.91	0.008	2.5ppm	PASS
40		12.02	0.005		
30		35.71	0.014		
20		20.08	0.008		
10		15.37	0.006		
0		27.07	0.011		
-10		36.44	0.014		
-20		28.98	0.011		
-30		36.40	0.014		
20		Maximum Voltage	18.98		
20	BEP	32.84	0.013		

LTE Band 7 (QPSK) / 2535MHz / BW20M					
Temperature (°C)	Voltage	Freq. Dev.	Freq. Dev.	Limit	Result
	(Volt)	(Hz)	(ppm)		
50	Normal Voltage	25.96	0.010	2.5ppm	PASS
40		25.11	0.010		
30		17.65	0.007		
20		27.09	0.011		
10		12.77	0.005		
0		27.05	0.011		
-10		28.90	0.011		
-20		17.77	0.007		
-30		14.44	0.006		
20		Maximum Voltage	24.48		
20	BEP	35.36	0.014		



LTE Band 12 (QPSK) / 707.5MHz / BW5M					
Temperature (°C)	Voltage	Freq. Dev.	Freq. Dev.	Limit	Result
	(Volt)	(Hz)	(ppm)		
50	Normal Voltage	16.65	0.023	2.5ppm	PASS
40		11.59	0.016		
30		15.18	0.021		
20		28.97	0.041		
10		33.16	0.047		
0		20.84	0.029		
-10		19.98	0.003		
-20		28.77	0.041		
-30		23.31	0.033		
20		Maximum Voltage	30.40		
20	BEP	20.07	0.028		

LTE Band 12 (QPSK) / 707.5MHz / BW10M					
Temperature (°C)	Voltage	Freq. Dev.	Freq. Dev.	Limit	Result
	(Volt)	(Hz)	(ppm)		
50	Normal Voltage	33.24	0.047	2.5ppm	PASS
40		18.56	0.026		
30		19.53	0.028		
20		17.64	0.025		
10		28.09	0.040		
0		33.44	0.047		
-10		12.77	0.002		
-20		11.59	0.016		
-30		19.97	0.028		
20		Maximum Voltage	28.05		
20	BEP	31.92	0.045		



LTE Band 13 (QPSK) / 782MHz / BW5M					
Temperature (°C)	Voltage	Freq. Dev.	Freq. Dev.	Limit	Result
	(Volt)	(Hz)	(ppm)		
50	Normal Voltage	28.71	0.040	2.5ppm	PASS
40		29.38	0.041		
30		14.41	0.020		
20		29.28	0.041		
10		16.07	0.023		
0		29.14	0.041		
-10		19.96	0.003		
-20		19.87	0.028		
-30		31.59	0.044		
20		Maximum Voltage	28.86		
20	BEP	30.79	0.043		

LTE Band 13 (QPSK) / 782MHz / BW10M					
Temperature (°C)	Voltage	Freq. Dev.	Freq. Dev.	Limit	Result
	(Volt)	(Hz)	(ppm)		
50	Normal Voltage	31.80	0.045	2.5ppm	PASS
40		18.15	0.026		
30		17.28	0.024		
20		13.30	0.019		
10		27.22	0.038		
0		25.84	0.036		
-10		27.04	0.004		
-20		31.74	0.045		
-30		22.43	0.032		
20		Maximum Voltage	22.89		
20	BEP	13.38	0.019		



LTE Band 14 (QPSK) / 793MHz / BW5M					
Temperature (°C)	Voltage	Freq. Dev.	Freq. Dev.	Limit	Result
	(Volt)	(Hz)	(ppm)		
50	Normal Voltage	28.03	0.039	1ppm	PASS
40		36.04	0.051		
30		31.12	0.044		
20		35.20	0.050		
10		28.14	0.040		
0		16.77	0.024		
-10		16.94	0.002		
-20		16.02	0.023		
-30		25.42	0.036		
20		Maximum Voltage	14.76		
20	BEP	31.23	0.044		

LTE Band 14 (QPSK) / 793MHz / BW10M					
Temperature (°C)	Voltage	Freq. Dev.	Freq. Dev.	Limit	Result
	(Volt)	(Hz)	(ppm)		
50	Normal Voltage	24.21	0.034	1ppm	PASS
40		20.85	0.029		
30		32.86	0.046		
20		16.05	0.023		
10		20.40	0.029		
0		36.23	0.051		
-10		17.80	0.003		
-20		27.84	0.039		
-30		13.20	0.019		
20		Maximum Voltage	35.08		
20	BEP	36.40	0.051		



LTE Band 17 (QPSK) / 710MHz / BW5M					
Temperature (°C)	Voltage	Freq. Dev.	Freq. Dev.	Limit	Result
	(Volt)	(Hz)	(ppm)		
50	Normal Voltage	21.03	0.030	2.5ppm	PASS
40		20.42	0.029		
30		15.35	0.022		
20		16.85	0.024		
10		35.48	0.050		
0		16.16	0.023		
-10		29.82	0.004		
-20		31.42	0.044		
-30		22.53	0.032		
20		Maximum Voltage	24.54		
20	BEP	31.02	0.044		

LTE Band 17 (QPSK) / 710MHz / BW10M					
Temperature (°C)	Voltage	Freq. Dev.	Freq. Dev.	Limit	Result
	(Volt)	(Hz)	(ppm)		
50	Normal Voltage	35.95	0.051	2.5ppm	PASS
40		14.28	0.020		
30		17.60	0.025		
20		25.11	0.035		
10		12.20	0.017		
0		19.09	0.027		
-10		15.52	0.002		
-20		36.03	0.051		
-30		13.92	0.020		
20		Maximum Voltage	15.31		
20	BEP	23.49	0.033		



LTE Band 25 (QPSK) / 1882.5MHz / BW10M					
Temperature (°C)	Voltage	Freq. Dev.	Freq. Dev.	Limit	Result
	(Volt)	(Hz)	(ppm)		
50	Normal Voltage	14.18	0.008	2.5ppm	PASS
40		24.91	0.013		
30		23.24	0.012		
20		18.76	0.010		
10		22.44	0.012		
0		24.75	0.013		
-10		34.02	0.018		
-20		15.05	0.008		
-30		35.39	0.019		
20		Maximum Voltage	30.52		
20	BEP	35.71	0.019		

LTE Band 25 (QPSK) / 1882.5MHz / BW20M					
Temperature (°C)	Voltage	Freq. Dev.	Freq. Dev.	Limit	Result
	(Volt)	(Hz)	(ppm)		
50	Normal Voltage	22.08	0.012	2.5ppm	PASS
40		17.15	0.009		
30		26.85	0.014		
20		24.88	0.013		
10		29.39	0.016		
0		14.97	0.008		
-10		23.55	0.013		
-20		13.60	0.007		
-30		19.42	0.010		
20		Maximum Voltage	13.61		
20	BEP	33.26	0.018		



LTE Band 26(Part 22) (QPSK) / 836.5MHz / BW10M					
Temperature (°C)	Voltage	Freq. Dev.	Freq. Dev.	Limit	Result
	(Volt)	(Hz)	(ppm)		
50	Normal Voltage	29.47	0.017	2.5ppm	PASS
40		20.93	0.012		
30		23.51	0.014		
20		29.11	0.017		
10		12.24	0.007		
0		13.12	0.008		
-10		24.28	0.014		
-20		16.51	0.010		
-30		14.70	0.008		
20		Maximum Voltage	30.92		
20	BEP	15.20	0.009		

LTE Band 26(Part 22) (QPSK) / 836.5MHz / BW20M					
Temperature (°C)	Voltage	Freq. Dev.	Freq. Dev.	Limit	Result
	(Volt)	(Hz)	(ppm)		
50	Normal Voltage	23.14	0.013	2.5ppm	PASS
40		23.86	0.014		
30		23.15	0.013		
20		28.02	0.016		
10		35.39	0.020		
0		17.68	0.010		
-10		25.83	0.015		
-20		26.53	0.015		
-30		33.76	0.019		
20		Maximum Voltage	12.19		
20	BEP	13.74	0.008		





LTE Band 26(Part 90) (QPSK) / 819MHz / BW5M					
Temperature (°C)	Voltage	Freq. Dev.	Freq. Dev.	Limit	Result
	(Volt)	(Hz)	(ppm)		
50	Normal Voltage	28.16	0.016	2.5ppm	PASS
40		28.87	0.017		
30		31.98	0.018		
20		15.25	0.009		
10		26.17	0.015		
0		32.30	0.019		
-10		16.32	0.009		
-20		30.71	0.018		
-30		20.74	0.012		
20		Maximum Voltage	25.25		
20	BEP	24.55	0.014		

LTE Band 26(Part 90) (QPSK) / 819MHz / BW10M					
Temperature (°C)	Voltage	Freq. Dev.	Freq. Dev.	Limit	Result
	(Volt)	(Hz)	(ppm)		
50	Normal Voltage	25.15	0.015	2.5ppm	PASS
40		36.38	0.021		
30		31.23	0.018		
20		18.22	0.011		
10		13.38	0.008		
0		21.32	0.012		
-10		29.48	0.017		
-20		14.82	0.009		
-30		26.42	0.015		
20		Maximum Voltage	12.01		
20	BEP	23.71	0.014		



LTE Band 41 (QPSK) / 2605MHz / BW10M					
Temperature (°C)	Voltage	Freq. Dev.	Freq. Dev.	Limit	Result
	(Volt)	(Hz)	(ppm)		
50	Normal Voltage	22.51	0.009	2.5ppm	PASS
40		27.50	0.011		
30		34.82	0.014		
20		17.09	0.007		
10		29.29	0.012		
0		32.26	0.013		
-10		20.16	0.008		
-20		14.17	0.006		
-30		35.81	0.014		
20		Maximum Voltage	23.07		
20	BEP	13.03	0.005		

LTE Band 41 (QPSK) / 2605MHz / BW20M					
Temperature (°C)	Voltage	Freq. Dev.	Freq. Dev.	Limit	Result
	(Volt)	(Hz)	(ppm)		
50	Normal Voltage	33.82	0.013	2.5ppm	PASS
40		17.21	0.007		
30		23.14	0.009		
20		34.69	0.014		
10		25.25	0.010		
0		35.41	0.014		
-10		35.11	0.014		
-20		20.06	0.008		
-30		15.40	0.006		
20		Maximum Voltage	12.45		
20	BEP	22.33	0.009		



LTE Band 66 (QPSK) / 1745MHz / BW10M					
Temperature (°C)	Voltage	Freq. Dev.	Freq. Dev.	Limit	Result
	(Volt)	(Hz)	(ppm)		
50	Normal Voltage	29.45	0.017	2.5ppm	PASS
40		31.75	0.018		
30		22.32	0.013		
20		34.18	0.020		
10		17.12	0.010		
0		17.60	0.010		
-10		27.44	0.016		
-20		34.18	0.020		
-30		14.73	0.008		
20		Maximum Voltage	27.25		
20	BEP	31.98	0.018		

LTE Band 66 (QPSK) / 1745MHz / BW20M					
Temperature (°C)	Voltage	Freq. Dev.	Freq. Dev.	Limit	Result
	(Volt)	(Hz)	(ppm)		
50	Normal Voltage	30.76	0.018	2.5ppm	PASS
40		19.01	0.011		
30		13.45	0.008		
20		18.39	0.011		
10		13.19	0.008		
0		22.69	0.013		
-10		17.47	0.010		
-20		32.68	0.019		
-30		24.75	0.014		
20		Maximum Voltage	36.16		
20	BEP	24.88	0.014		



LTE Band 71 (QPSK) / 680.5MHz / BW10M					
Temperature (°C)	Voltage	Freq. Dev.	Freq. Dev.	Limit	Result
	(Volt)	(Hz)	(ppm)		
50	Normal Voltage	30.35	0.043	2.5ppm	PASS
40		34.50	0.049		
30		36.06	0.051		
20		12.21	0.017		
10		16.70	0.024		
0		26.90	0.038		
-10		23.23	0.003		
-20		12.25	0.017		
-30		25.91	0.036		
20		Maximum Voltage	28.22		
20	BEP	15.50	0.022		

LTE Band 71 (QPSK) / 680.5MHz / BW20M					
Temperature (°C)	Voltage	Freq. Dev.	Freq. Dev.	Limit	Result
	(Volt)	(Hz)	(ppm)		
50	Normal Voltage	24.09	0.034	2.5ppm	PASS
40		23.88	0.034		
30		23.41	0.033		
20		28.74	0.040		
10		25.35	0.036		
0		27.31	0.038		
-10		15.34	0.002		
-20		34.76	0.049		
-30		33.58	0.047		
20		Maximum Voltage	12.25		
20	BEP	25.87	0.036		



## APPENDIX-PHOTOS OF TEST SETUP

Note: See test photos in setup photo document for the actual connections between Product and support equipment.

※※※※END OF THE REPORT※※※※

