

ATOP3.5G Product Description (OM12030)

80447ST10636A rev.10 - 2015-03-03



APPLICABILITY TABLE

PRODUCT	REGIONS		
	W (orld)	U (SA)	A (PAC)
ATOP 3.5G	√	√	√
+ SMX	√	√	√
+ SMX + NFC	√	√	√

SPECIFICATIONS SUBJECT TO CHANGE WITHOUT NOTICE

Notice

While reasonable efforts have been made to assure the accuracy of this document, Telit assumes no liability resulting from any inaccuracies or omissions in this document, or from use of the information obtained herein. The information in this document has been carefully checked and is believed to be entirely reliable. However, no responsibility is assumed for inaccuracies or omissions. Telit reserves the right to make changes to any products described herein and reserves the right to revise this document and to make changes from time to time in content hereof with no obligation to notify any person of revisions or changes. Telit does not assume any liability arising out of the application or use of any product, software, or circuit described herein; neither does it convey license under its patent rights or the rights of others.

It is possible that this publication may contain references to, or information about Telit products (machines and programs), programming, or services that are not announced in your country. Such references or information must not be construed to mean that Telit intends to announce such Telit products, programming, or services in your country.

Copyrights

This instruction manual and the Telit products described in this instruction manual may be, include or describe copyrighted Telit material, such as computer programs stored in semiconductor memories or other media. Laws in the Italy and other countries preserve for Telit and its licensors certain exclusive rights for copyrighted material, including the exclusive right to copy, reproduce in any form, distribute and make derivative works of the copyrighted material. Accordingly, any copyrighted material of Telit and its licensors contained herein or in the Telit products described in this instruction manual may not be copied, reproduced, distributed, merged or modified in any manner without the express written permission of Telit. Furthermore, the purchase of Telit products shall not be deemed to grant either directly or by implication, estoppel, or otherwise, any license under the copyrights, patents or patent applications of Telit, as arises by operation of law in the sale of a product.

Computer Software Copyrights

The Telit and 3rd Party supplied Software (SW) products described in this instruction manual may include copyrighted Telit and other 3rd Party supplied computer programs stored in semiconductor memories or other media. Laws in the Italy and other countries preserve for Telit and other 3rd Party supplied SW certain exclusive rights for copyrighted computer programs, including the exclusive right to copy or reproduce in any form the copyrighted computer program. Accordingly, any copyrighted Telit or other 3rd Party supplied SW computer programs contained in the Telit products described in this instruction manual may not be copied (reverse engineered) or reproduced in any manner without the express written permission of Telit or the 3rd Party SW supplier. Furthermore, the purchase of Telit products shall not be deemed to grant either directly or by implication, estoppel or otherwise, any license under the copyrights, patents or patent applications of Telit or other 3rd Party supplied SW, except for the normal non-exclusive, royalty free license to use that arises by operation of law in the sale of a product.

Usage and Disclosure Restrictions

License Agreements

The software described in this document is the property of Telit and its licensors. It is furnished by express license agreement only and may be used only in accordance with the terms of such an agreement.

Copyrighted Materials

Software and documentation are copyrighted materials. Making unauthorized copies is prohibited by law. No part of the software or documentation may be reproduced, transmitted, transcribed, stored in a retrieval system, or translated into any language or computer language, in any form or by any means, without prior written permission of Telit.

High Risk Materials

Components, units, or third-party products used in the product described herein are NOT fault-tolerant and are NOT designed, manufactured, or intended for use as on-line control equipment in the following hazardous environments requiring fail-safe controls: the operation of Nuclear Facilities, Aircraft Navigation or Aircraft Communication Systems, Air Traffic Control, Life Support, or Weapons Systems ("High Risk Activities"). Telit and its supplier(s) specifically disclaim any expressed or implied warranty of fitness for such High Risk Activities.

Trademarks

TELIT and the Stylized T Logo are registered in Trademark Office. All other product or service names are the property of their respective owners.

Copyright © Telit Communications S.p.A.

ATOP 3.5G (OM12030)

Automotive telematics on-board unit platform 3.5G

1 Introduction

ATOP 3.5G (OM12030) is Telit's platform for automotive telematics on-board units (OBU's) for applications such as road pricing and eCall, based on the following technologies:

- 3G cellular for voice and data communication
- GPS/GLONASS for positioning service
- NFC for short range communication, e.g. configuration and law enforcement
- SmartMX smartcard with Java card JCOP OS for security
- J9 Virtual Machine for application portability and easy creation
- Dedicated processor for Real-Time and connection to system via ADC, CAN, UART, Ethernet, USB
- Backward hardware compatibility with ATOP 2.5G EVO (OM12001)
- Designed for automotive markets¹

Thanks to on-board ATOP 3.5G security resources, product developers and manufacturers can offer products which guarantee fraud prevention and tamper evidence without extra effort for additional security precautions. These products can be used in end-to-end transaction systems requiring Common Criteria level 5+.

ATOP 3.5G can be used by itself as a complete solution for GNSS-3G based road pricing and eCall applications. In this case, ATOP 3.5G just needs to be complemented with a power supply, speaker, microphone, some knobs and an optional display. ATOP 3.5G provides the processing power and software application environment resources on board to complement road pricing and eCall with some other added value telematics services.

ATOP 3.5G can also be applied as a front end for more elaborate telematics products, by making its resources, i.e. GNSS, mobile communication, security (ID authentication) available for use by other resources in the OBU.

Three different 3G band configuration variants are defined for OM12030:

- World market configuration
- American market configuration
- Pacific market configuration

For applications where security is not paramount, such as eCall, variants without NFC short range communication and/or the SmartMX security processor are available.

¹ In accordance with Telit's Robustness Validation, using AEC-Q100-defined qualification tests.

2 General description

Figure 1 represents ATOP 3.5G connections in a typical application, with its connection to batteries, antennas and USIM. For communication with the external world, serial link, GPIOs, and ADCs will connect to screen, keys, and sensors. UART, CAN, SDIO, Ethernet or USB can be used to connect to an on-board computer.

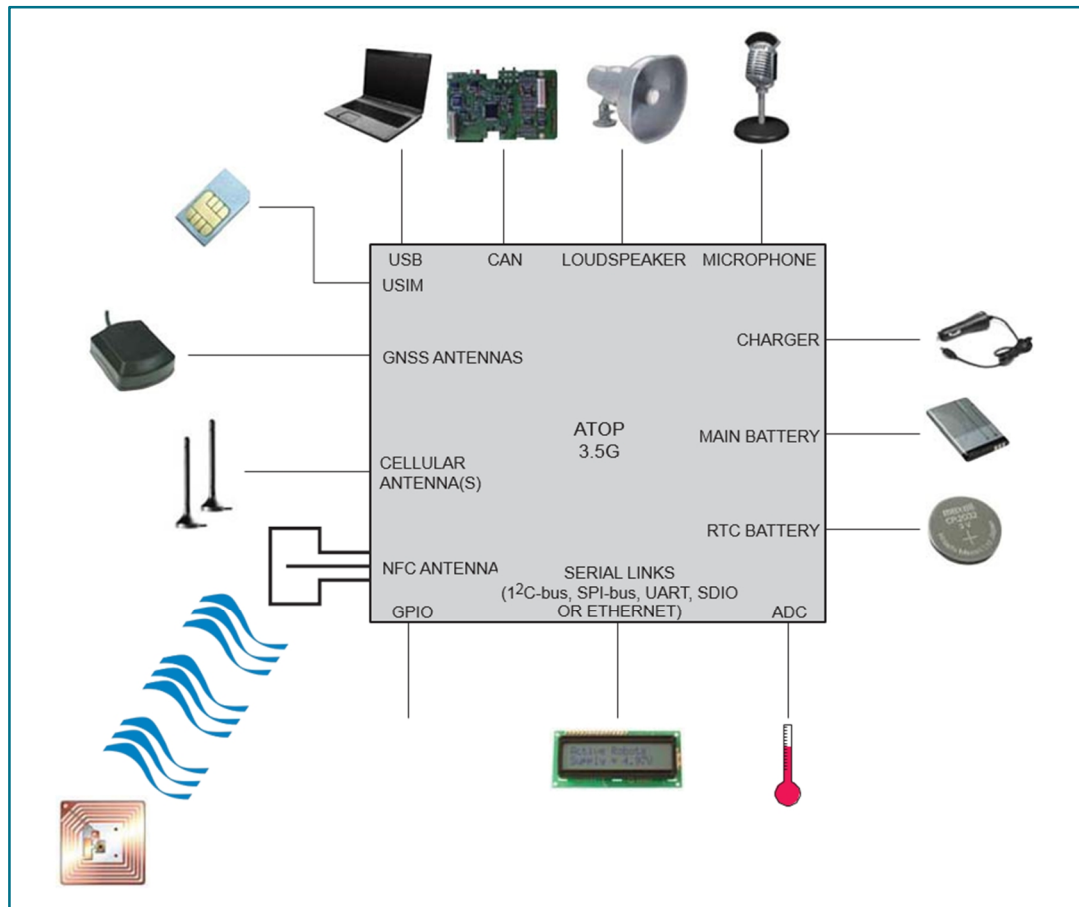


Figure 1 ATOP 3.5G module connections

Figure 2 represents a more conceptual view of ATOP from a system point of view, showing three main components:

- Application processor: This processor will run code specific to the application (road tolling, insurance ...) which is portable from one platform to another one in order to avoid recertification. The application drives the three following conceptual co-processors:
 - A Positioning processor provides accurate location information to the application;
 - An NFC processor² provides connection to an external bignette, card reader, or other NFC enabled device to increase application security;
 - A Communication processor allows the application to connect to servers and receive update and notifications, receive or generate voice call or SMS.

² Only for OM12030/1X0, with X as defined in Section 5.

- Security processor³: This processor provides a root of trust for signing messages to servers; authenticates the presence of an external vignette; and/or runs multiple security applications.
- Utility processor: This processor takes care of all housekeeping tasks such as connecting to external interfaces, displays, etc. but also handles power management, waking-up and booting-up the system, i.e. all support tasks which are not part of the high-level applications but are required to make the system work.

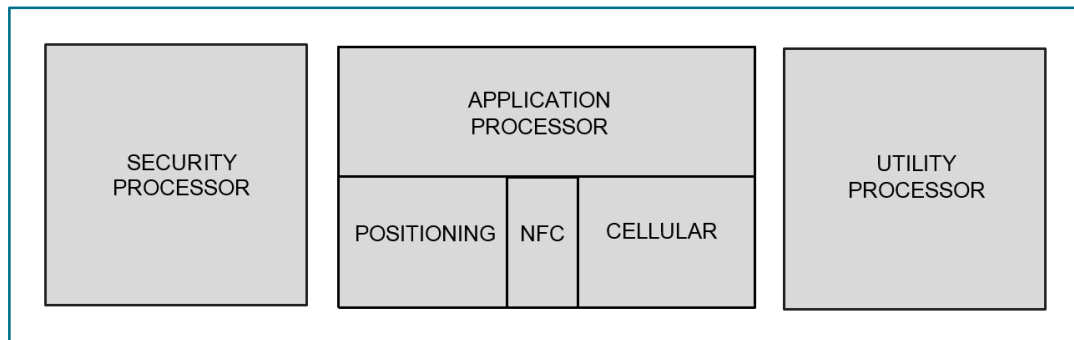


Figure 2 ATOP conceptual view

3 Features and benefits

- Utility processor for interfacing with external world and house-keeping
 - ARM Cortex M3 microcontroller with Ethernet, CAN, USB Host, Device and OTG, UART, SPI-bus, I²C-bus, ADCs, DAC, GPIOs, and PWMs
 - Internal temperature sensor
- Application processor to run customer application code
 - Virtual Machine for customer application
 - Communication coprocessor with Quad-band 3.5G/EDGE/GPRS/GSM terminal
 - GPS/GLONASS receiver
- Near Field Communication (NFC) coprocessor to connect to external vignette, smart card, mobile phone²
- Security processor for providing a source of trust³
 - SmartMX smartcard running JCOP 2.4.2
- Mandatory and voluntary certification
 - R&TTE and FCC passed for safety, EMC, and RF
 - Certification for GCF, including field test
 - Certification for PTCRB
 - Certification for AT&T
- Designed and qualified for use in automotive applications¹
- -40 °C to +85 °C / limited operating range as defined in Table 11

³ Only for OM12030/1X0 and OM12030/2X0, with X as defined in Section 5.

4 Applications

ATOP 3.5G can be used for telematics applications where tamper-resistance, confidentiality, integrity and authenticity of end-user information are required, e.g.:

- Road pricing
- Pay as you drive insurance
- Stolen vehicles tracking
- Emergency call
- Internet connectivity

5 Ordering information

ATOP 3.5G is defined in multiple variants:

Table 1 Type names

Type number	Package Name	Description
OM12030/X00 ^[1]	LGA350	Worldwide Quad-band UMTS 2100 (I), 1900 (II), 850 (V) including 800 (VI), 900 (VIII)
OM12030/X10 ^[1]		North American Quad-band UMTS 2100 (I), 1900 (II), 1700 (IV), 850 (V) including 800 (VI)
OM12030/X20 ^[1]		Pacific Quad-band UMTS 2100 (I), 1800 (III) including 1700 (IX), 850 (V) including 800 (VI), 900 (VIII)

[1] X = 1 Includes NFC short range communication and the SmartMX security element.
Feature combination nicknamed "Full".

X = 0 Omits NFC short range communication and the SmartMX security element.
Feature combination nicknamed "Minus".

X = 2 Omits NFC short range communication but retains the SmartMX security element.
Feature combination nicknamed "Auth".

All variants support 2G bands 850, 900, 1800, and 1900.

6 Block diagram

Figure 3 represents the data connections within the ATOP 3.5G module.

Two main groups of components can be distinguished:

- The first group includes the cellular baseband, GPS/GLONASS and secure element (SMX). They offer to the application running on a Virtual Machine all services required for telematics applications.
- The second group includes the microcontroller which takes care of interfacing with the external world via its interfaces: Ethernet, USB, CAN, UARTs, SPIs, GPIOs, PWMs, and ADCs.

Depending on which ATOP software features are used in the customer application, some of its interfaces that are exported due to multiplexing may be used internally and thus may not be usable by the application.

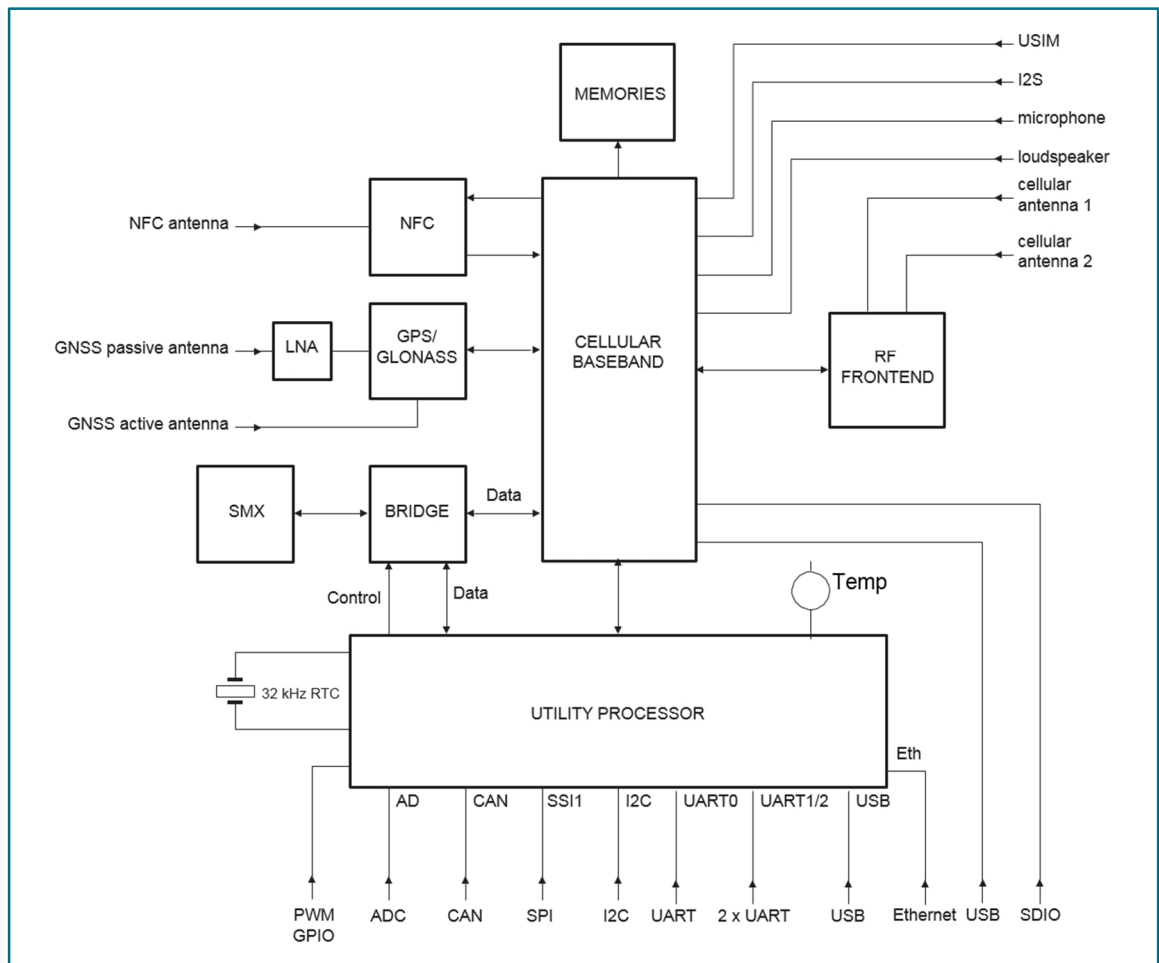


Figure 3 ATOP 3.5G internal connections

7 Pinning information

7.1 Pinning

Figure 4 shows a transparent top view of ATOP 3.5G to identify all pins.

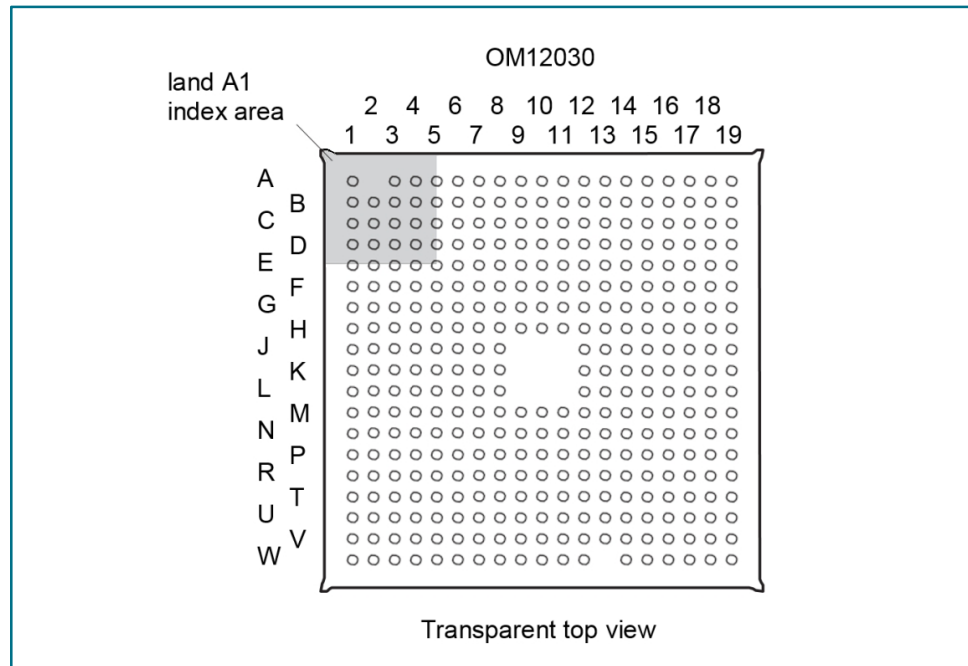


Figure 4 ATOP 3.5G pin configuration

7.2 Pin description

7.2.1 Module pinning list

Table 2 ATOP 3.5G pinning list

Symbol ^[1]	Pin	Level	Description ^[2]
Utility processor			
UART0			
MC_P002_TXD0_AD07	M15	3.0	transmitter output for UART0 [3]
MC_P003_RXD0_AD06	M19	3.0	receiver input for UART0 [3]
UART1			
MC_P015_TXD1_SCK0_SCK	V15	3.0	transmitter output for UART1 [4][5]
MC_P016_RXD1_SSEL0_SSEL	T7	3.0	receiver input for UART1 [4][5]
MC_P022_RTS1_TD1	T9	3.0	ready to send [5]
MC_P017_CTS1_MISO0_MISO	V13	3.0	clear to send [4][5]
MC_P021_RI1_RD1	R10	3.0	ring indicator [5]
MC_P018_DCD1_MOSI0_MOSI	R11	3.0	data carrier detect [4][5]
UART2			
MC_P010_TXD2_SDA2_MAT30	R13	3.0	transmitter output for UART2 [5]
MC_P011_RXD2_SCL2_MAT31	U10	3.0	receiver input for UART2 [5]

Symbol ^[1]	Pin	Level	Description ^[2]
UART3			
MC_P428_RXMCLK_MAT20_TXD3	V14	3.0	transmitter output for UART3 [5][6]
MC_P429_TXMCLK_MAT21_RXD3	N11	3.0	receiver input for UART3 [5][6]
I²C-bus 0			
MC_P028_SCL0_USBSCL	T12	3.0	I ² C-bus clock input/output [7]
MC_P027_SDA0_USBSDA	T11	3.0	I ² C-bus data input/output [7]
SSI			
MC_P007_I2STXCLK_SCK1_MAT21	T18	3.0	serial clock [5]
MC_P009_I2STXSDA_MOSI1_MAT23	V18	3.0	master out/slave in [5]
MC_P008_I2STXWS_MISO1_MAT22	V17	3.0	master in/slave out [5]
MC_P006_I2SRXSDA_SSEL1_MAT20	R18	3.0	slave select [5]
I²S-bus			
MC_P023_AD00_I2SRXCLK_CAP30	P16	3.0	receive serial clock [3]
MC_P024_AD01_I2SRXWS_CAP31	M16	3.0	receive word select [3]
MC_P025_AD02_I2SRXSDA_TXD3	N16	3.0	receive data [3]
MC_P211_EINT1_I2STXCLK	T13	3.0	transmit serial clock [8]
MC_P212_EINT2_I2STXWS	R9	3.0	transmit word select [8]
MC_P213_EINT3_I2STXSDA	T10	3.0	transmit data [8]
CAN1			
MC_P000_RD1_TXD3_SDA1	T14	3.0	receive data [5]
MC_P001_TD1_RXD3_SCL1	R12	3.0	transmit data [5]
CAN2			
MC_P004_I2SRXCLK_RD2_CAP20	P19	3.0	receive data [5]
MC_P005_I2SRXWS_TD2_CAP21	P15	3.0	transmit data [5]
Universal Serial Bus (USB)			
MC_P029_USBDP	N12		USB data P [9]
MC_P030_USBDN	L13		USB data N [9]
MC_P130_VBUS_AD04	L12		USB V _{bus} detect [3]
MC_P209_USBCNT_RXD2	R14		USB device connect [5]
Ethernet			
MC_P115_ENETREFCLK	T19	3.0	[5]
MC_P116_ENETMDC	U18	3.0	[5]
MC_P100_ENETTXD0	R16	3.0	[5]
MC_P101_ENETTXD1	R15	3.0	[5]
MC_P104_ENETTXEN	V19	3.0	[5]
MC_P109_ENETRXD0	T15	3.0	[5]
MC_P110_ENETRXD1	T16	3.0	[5]
MC_P114_ENETRXER	T8	3.0	[5]
MC_P108_ENETCRS	P14	3.0	[5]

Symbol ^[1]	Pin	Level	Description ^[2]
MC_P117_ENETMDIO	V16	3.0	[5]
Control			
Analog I/Os			
MC_P026_AD03_AOUT_RXD3	N18	3.0	digital analog converter output [10]
GPIO/PWM			
MC_P210_EINT0_NMI	W14	3.0	external interrupt; pull up in ATOP 2.5G EVO (OM120001) not in LPC1768 [8]
MC_P119_MCOA0_CAP11	N13	3.0	PWM, event capture input, ... [5]
MC_P118_USBLD_PWM11_CAP10	N15	3.0	
MC_P122_MCOB0_USBWRD_MAT10	M10	3.0	
MC_P129_MCOB2_PCAP11_MAT01	M11	3.0	
Debug Interfaces			
Microcontroller JTAG			
MC_JTAG_TCK_SWDCLK	K16	3.0	[11]
MC_JTAG_TDO_SWO	K19	3.0	[5]
MC_JTAG_TDI	L16	3.0	[12]
MC_JTAG_TMS_SWDIO	L18	3.0	[12]
MC_JTAG_RTCK	M18	3.0	[11]
MC_JTAG_TRST	K18	3.0	[12]
Microcontroller PC trace			
		3.0	
MC_P206_TRCLK_PCAP10_RI1	N10	3.0	[5]
MC_P205_TRDATA0_PWM16_DTR1	N9	3.0	[5]
MC_P204_TRDATA1_PWM15_DSR1	P18	3.0	[5]
MC_P203_TRDATA2_PWM14_DCD1	M12	3.0	[5]
MC_P202_TRDATA3_PWM13_CTS1	N8	3.0	[5]
Audio interfaces			
Analog in			
BB_AUDIO_IN1_N	G12		microphone 1 (optionally digital)
BB_AUDIO_IN1_P	H13		
BB_AUDIO_IN1_BIAS	G13		
BB_AUDIO_IN2_N	G16		microphone 2
BB_AUDIO_IN2_P	F16		
BB_AUDIO_IN2_BIAS	G15		
BB_AUDIO_IN_L	H14		line in left
BB_AUDIO_IN_R	J14		line in right
Analog out			
BB_AUDIO_OUT1_LP	J15		positive left out
BB_AUDIO_OUT1_LN	H15		negative left out
BB_AUDIO_OUT1_2_RP	K13		positive right out

Symbol ^[1]	Pin	Level	Description ^[2]
BB_AUDIO_OUT1_2_RN	K15		negative right out
BB_AUDIO_SPKL_P	D17		positive speaker left out
BB_AUDIO_SPKL_N	E17		negative speaker left out
BB_AUDIO_SPKR_P	F17		positive speaker right out
BB_AUDIO_SPKR_N	G17		negative speaker right out
Digital			
BB_I2S_SCLK_PCM_CLK	E14	1.8	
BB_I2S_WS_PCM_SYNC	D15	1.8	
BB_I2S_DOUT_PCM_DATA_IN	E12	1.8	
BB_I2S_MCLK_PCM_DATA_OUT	E13	1.8	
BB_I2S_DIN	G14	1.8	
System interfaces			
USB interface			
BB_USBDN	U12		USB data N
BB_USBDP	U11		USB data P
BB_USBID	U13		USB device connect
BB_USBVBUS	U14		USB V _{bus} detect
SDIO interface			
BB_SDIOCMD	P7	2.85	
BB_SDIOCLK	P8	2.85	
BB_SDIO_PWR_EN_N	P9	2.85	
BB_SDIO_DET	P11	1.8	active low, no pull up needed
BB_SDIOD0	U6	2.85	
BB_SDIOD1	U7	2.85	
BB_SDIOD2	U8	2.85	
BB_SDIOD3	U9	2.85	
USIM interface			ISO7316-3 class B/C I/O levels
BB_SIM_DATA	E16		
BB_SIM_CLK	D14		
BB_SIM_RST	D13		
BB_USIM_DETEC_N	L14		active low, no pull up needed
Battery and power management			
VBAT_RTC_SNK	J18		power supply for microcontroller RTC battery
VBAT_SNK	J2; J4		power supply for whole system except RF power amplifier and utility processor [13]
VBAT_PA_SNK	J1; K1; K2		power supply for RF power amplifier [13]
VBAT_MC_SNK	K4		main power supply for utility processor

Symbol ^[1]	Pin	Level	Description ^[2]
VDD_SPKR	H17		power supply for class D amplifier
VCHG_SNK	G10; H10		charger supply connection
VBAT_SENSE	E10		battery voltage sense
BB_ICHG	H11		charger output
BB_BATT_FET_N	E11		external charge FET control
BB_BATT_THERM	H18		battery thermistor
VIO_REF	P5		voltage (1.8 V) reference for baseband digital interface
VADC_REF	W16		voltage reference for MC_ADC
VADC_GND	W17		ground reference for MC_ADC
VUSIM_SRC	J13		USIM power supply
VDD_3V0_SRC	N19		microcontroller current source and voltage reference
VDD_3V0_SRC_ENA	W18		enables VDD_3V0_SRC (active HIGH, internal pull up)
Clock generation			
BB_EXT_CLK	D10	2.6	clock source
MC_XTAL1	M13		optional quartz for microcontroller
MC_XTAL2	N7		
GPS_1PPS	R4	1.8	one pulse per second (output)
System reset			
MC_RESET	L15	3.0	reset ATOP module [14]
Antennas			
NFC antenna			
NFC_ANT1	W10	TX1	
NFC_ANT2	W11	TX2	
NFC_ANT3	V12	RX	
Cellular antenna			
CELL_ANT1	C1	[15]	
CELL_ANT2	A3	[15]	
GPS antenna			
GPS_PAS_ANT	V1		passive GPS antenna input
GPS_ACT_ANT	W3		active antenna input
GPS_ACT_ANT_BIAS	T4		active antenna bias (1 V PIN diode drop inside ATOP 3.5G) [16]
GPS_PAS_ANT_DIS	T2		passive antenna disable: 3-state: internal LNA enabled; active LOW: internal LNA disabled
Industrial test			
Baseband JTAG			
BB_JTAG_NTRST	E9	1.8	

ATOP3.5G Product Description
80447ST10636A rev.10 - 2015-03-03

Symbol ^[1]	Pin	Level	Description ^[2]
BB_JTAG_TCK	G7	1.8	
BB_JTAG_TDI	G8	1.8	
BB_JTAG_RTCK	G9	1.8	
BB_JTAG_TDO	H7	1.8	
BB_JTAG_TMS	J7	1.8	
Other baseband debug			
BB_BOOTMODE	J8	1.8	internal pull up; high = normal boot; low = flash mode
BB_BOOT_SCUR	P12	1.8	used for debug of Secure Boot
BB_PS_HOLD	H8		used for JTAG debug of application processor
BB_PON_RESETN	D12		
Reserved for future use – Do not connect			
	F15; H9; H12; H16; J16; J17; K12; L17; M2; M4; M5; M14; M17; N2; N4; N17; P2; P4; P13; P17; R5; R7; R8; R17; T17; U4; U5; U15; U16; V5; V7; V8		
Ground			
GND	A1; A4; A5; A6; A7; A8; A9; A10; A11; A12; A13; A14; A15; A16; A17; A18; A19; B1; B2; B3; B4; B5; B6; B7; B8; B9; B10; B11; B12; B13; B14; B15; B16; B17; B18; B19; C2; C3; C4; C5; C6; C7; C8; C9; C10; C11; C12; C13; C14; C15; C16; C17; C18; C19; D1; D2; D3; D4; D5; D6; D7; D8; D9; D11; D16; D18; D19; E1; E2; E3; E4; E5; E6; E7; E8; E15; E18; E19; F1; F2; F3; F4; F5; F6; F7; F8; F9; F10; F11; F12; F13; F14; F18; F19; G1; G2; G3; G4; G5; G6; G11; G18; G19; H1; H2; H3; H4; H5; H6; H19; J3; J5; J6; J12; J19; K3; K5; K6; K7; K8; K14; K17; L1; L2; L3; L4; L5; L6; L7; L8; L19; M1; M3; M6; M7; M8; M9; N1; N3; N5; N6; N14; P1; P3; P6; P10; R1; R2; R3; R6; R19; T1; T3; T5; T6; U1; U2; U3; U17; U19; V2; V3; V4; V6; V9; V10; V11; W1; W2; W4; W5; W6; W7; W8; W9; W12; W15; W19		

Symbol ^[1]	Pin	Level	Description ^[2]
Unused			
	A2;W13		

[1] Pin names are encoded as follows: MC_Pxyy_iii_ddd_kkk indicates a microcontroller pin. Each pin can be configured between several functions (typically 4), all mentioned in the pin name:

Pxyy:	GPIO yy of GPIO port x;
AD0x:	ADC input x;
EINTx:	external interrupt x;
MATxy:	match output for timer x, channel y;
PCAPxy:	capture input for PWM x, channel y;
PWMxy:	PWM x, channel y;
RDx/TDx:	CAN port x;
SDx/SCLx:	I ² C-bus x;
TXx/RXy:	UART x;
BB_xxx	indicates a pin connected respectively to baseband;
GPS_xxx	indicates a pin connected respectively to GPS/GLONASS;
NFC_xxx:	indicates a pin connected respectively to NFC;
Vxxx_REF	indicates a voltage reference – no current should be drawn from this pin;
Vxxx_SNK	indicates a voltage sink – current is drawn by this pin;
Vxxx_SRC	indicates a current source – current can be drawn from this pin.

- [2] Only the main function is described for microcontroller pins, but all functions available for a given pin can be found in its name.
- [3] 5 V tolerant pad providing digital I/O functions (with TTL levels and hysteresis) and analog input. When configured as an ADC input, digital section of the pad is disabled and the pin is not 5 V tolerant.
- [4] SSP0 is used internally and therefore is not available for customer application.
- [5] 5 V tolerant pad providing digital I/O functions with TTL levels and hysteresis.
- [6] V14 and N11 optionally connected to BB_UART_RX/BB_UART_TX for debugging.
- [7] Open-drain 5 V tolerant digital I/O pad, compatible with I²C-bus 400 kHz specification. This pad requires an external pull up to provide output functionality. When power is switched off, this pin is connected to the I²C-bus and does not disturb the I²C-bus lines. Open-drain configuration applies to all functions on this pin.
- [8] 5 V tolerant pad with 5 ns glitch filter providing digital I/O functions with TTL levels and hysteresis.
- [9] Pad provides digital I/O and USB functions. It is designed in accordance with the USB specification, revision 2.0 (Full-speed and Low-speed mode only). This pad is not 5 V tolerant.
- [10] 5 V tolerant pad providing digital I/O with TTL levels and hysteresis and analog output function. When configured as the DAC output, digital section of the pad is disabled.
- [11] 5 V tolerant pad providing digital I/O functions with TTL levels and hysteresis. Internal pull up and pull down resistors disabled.
- [12] 5 V tolerant pad providing digital I/O functions with TTL levels and hysteresis and internal pull up resistor.
- [13] The VBAT_SNK and VBAT_PA_SNK pins should be supplied only whenever VBAT_MC_SNK is supplied.
- [14] 5 V tolerant pad with 20 ns glitch filter providing digital I/O function with TTL levels and hysteresis.
- [15] Cellular antennas switchable under control of the utility processor.
- [16] A minimum current of 1 mA is required to minimize insertion loss. Maximum rating pin diode 100 mA.

7.2.2 Internal pins list

Table 3 lists a number of internal pins controlled by the Utility Processor that are of interest to ATOP 3.5G application programmers. Most of these pins are controlled by low-level software drivers provided by TELIT and so should not be controlled directly. They are there described only for reference.

Table 3 Internal microcontroller pins, controlled by TELIT-provided libraries

All these pins are controlled via TELIT-provided libraries and should not be used/controlled directly in any way.

Pin name	GPIO number	Description
BB_RESETN	P1.25	0 = reset application processor, otherwise should be left floating
BB_POK	P1.28	0 = enable application processor
BB_SSI[3:0]	P1.20	serial communication channel
	P1.21	
	P1.23	
	P1.24	
BB_SDB[4:0]	P2.0	internal communication channel
	P2.1	
	P2.7	
	P2.8	
	P3.26	
ANT_SW	P3.25	antenna switch
BB_UART_RX	P4.28	BB UART internally connected to MC UART3 by means of level shifter
BB_UART_TX	P4.29	
INT_TEMP	P1.31	ADC input to internal temperature sensor. A TELIT-provided function call converts value to °C. For more information see section 12.1.
I2C_SDA	P0.19 [1]	I ² C bus to SmartMX security processor bridge
I2C_SCL	P0.20 [1]	
I2C_GATE	P2.1 [1]	
		SmartMX security processor bridge control line. This is used to switch the SmartMX data communication channel between the base band and the Utility Processor (see Figure 3). This is shared with one of the BB_SDB pins. For detailed usage instructions, see Ref 12.
SMX_NRESET	P1.26 [1]	SmartMX security processor reset line
RFU	P1.27	32KHz tree distribution

[1] Only for OM1230/1X0 and OM12030/2X0, with X as defined in Section 5. On all other ATOP 3.5G variants this pin is RFU.

8 Functional description

8.1 Utility Processor

The LPC1768 Utility Processor is responsible for tasks such as:

- booting the system
- handling RTC and regular wake-up
- interfacing with external sensors, display, buttons via I²C-bus, SPI-bus, UART, ...
- communicating with others car's units via CAN, UART, Ethernet, ...
- controlling operator access for firmware upgrade, data retrieval via USB, UART, ...
- managing eCall access through the lower layers of the application processor. Due to license restrictions, only service calls are allowed from the J9 VM, no eCalls.
- monitoring internal thermal sensor

Except for a few services provided by TELIT to handle communication between the applications running on the Virtual Machine and virtualized external devices, the Utility Processor is completely available to the application developer.

8.1.1 General features

- ARM Cortex-M3 microcontroller, running up to 100 MHz
- 512 KB on-chip Flash Program Memory with In-System Programming (ISP) and In-Application Programming (IAP) capabilities. Single Flash sector or full-chip erase in 100 ms and 256 bytes programming in 1 ms. Flash program memory is on the ARM local bus for high performance CPU access
 - 10000 erase cycles⁴
 - 10 years retention powered on; 20 years powered off
 - First 16 erase block are 4 KB large, others are 32 KB large
- 64 KB RAM memory:
 - 32 KB Static RAM with local code/data bus for high-performance CPU access
 - 2 * 16 KB Static RAM blocks with separate access paths for higher throughput, for Ethernet, USB, DMA memory as well as for CPU code and data
 - These SRAM blocks may be used for Ethernet, USB, and DMA memory, as well as for general-purpose CPU instruction and data storage for general-purpose SRAM
- Multilayer AHB matrix interconnect with separate bus for each AHB master, providing simultaneous DMA and program execution from on-chip flash with no contention between these functions
- Nested Vectored Interrupt Controller (NVIC), supporting up to 33 vectored interrupts
- 8 channel General Purpose DMA controller (GPDMA) on the AHB multilayer matrix that can be used with the SSP, serial interfaces, the I2S-bus port, as well as for memory-to-memory transfers

⁴ If data needs to be saved regularly by utility processor, it is advised to use an external EEPROM connected to I²C-bus or SPI-bus.

- Serial interfaces available externally:
 - 3 UARTs with fractional baud rate generation, one with modem control I/O, one with IrDA support, all with FIFO. These reside on the APB-bus
 - 1 SSP controller with FIFO and multi-protocol capabilities, as well as a SPI port, sharing its interrupt. The SSP controller can be used with the GPDMA controller and reside on the APB-bus
 - 2 I²C-bus interfaces reside on the APB-bus. The I²C-bus interfaces are expansion I²C-bus interfaces with standard port pins
 - I²S-bus (Inter-IC Sound) interface for digital audio input or output, residing on the APB bus. The I²S-bus interface can be used with the GPDMA
 - 2 channels with Acceptance Filter/FullCAN mode residing on the APB-bus
- High-speed serial interfaces
 - USB 2.0 Full-speed Device/Host/OTG controller with on-chip PHY and associated DMA controller
 - Ethernet MAC with RMIi interface and dedicated DMA controller
 - 2 CAN channels
- Other APB peripherals
 - 12-bit A/D converter with input multiplexing among 7 external pins
 - 10-bit D/A converter with DMA support
 - 4 general-purpose timers with a total of 8 capture inputs and ten compare output pins each. Each timer block has an external count input
 - 1 PWM/Timer block with support for three-phase motor control
 - Real-Time Clock (RTC) with separate power pin; clock source can be the RTC oscillator or the APB clock oscillator
 - Watchdog Timer: the watchdog timer can be clocked from the internal RC oscillator, the RTC oscillator or the APB clock
- Standard ARM Test/Debug interface for compatibility with existing tools
- 4 reduced power modes: Sleep mode, Deep-sleep mode, Power-down mode and Deep Power-down mode
- 4 external interrupt inputs. In addition every PORT0/2 pin can be configured as an edge sensing interrupt
- Processor wake-up from Power-down mode via any interrupt able to operate during Power-down mode (includes external interrupts, RTC interrupt)
- Brownout detection with separate thresholds for interrupt and forced reset
- On-chip Power-On Reset
- On-chip crystal oscillator with an operating range of 1 MHz to 25 MHz
 - For CAN and USB, a clock generated internally to ATOP 3.5G is provided or an external crystal can be used
- On-chip PLL allows CPU operation up to the maximum CPU rate without the need for a high-frequency crystal. May be run from the main oscillator, the internal RC oscillator or the RTC oscillator
- Versatile pin function selections allow more possibilities for using on-chip peripheral functions

8.1.2 Utility Processor block diagram

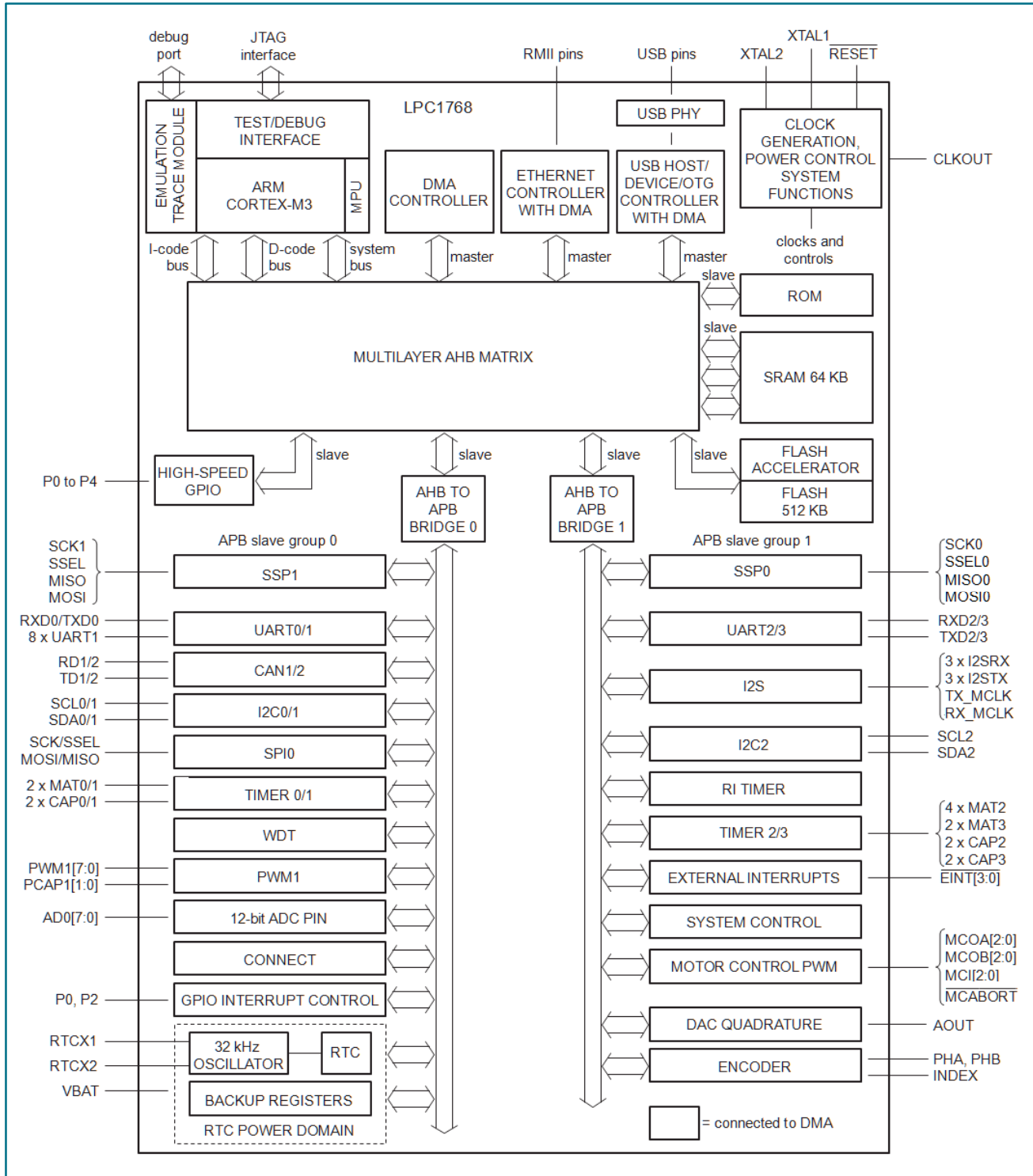


Figure 5 LPC1768 block diagram

Remark: Some interfaces, such as 1 UART, 1 I²C-bus, 1 SSP are not available externally, as they are used within ATOP 3.5G. For more details, refer to Section 7.2.2.

8.1.3 Ethernet

The Ethernet block supports bus clock rates of up to 100 MHz. It contains a full featured 10 Mbit/s or 100 Mbit/s Ethernet MAC designed to provide optimized performance by using DMA hardware acceleration. Features include a generous suite of control registers, half or full-duplex operation, flow control, control frames, hardware acceleration for transmit retry, receive packet filtering and wake-up on LAN activity. Automatic frame transmission and reception with scatter-gather DMA off-loads many operations from the CPU.

The Ethernet block and the CPU share the ARM Cortex M3 D-CODE and system bus through the AHB-multilayer matrix to access the various on-chip SRAM blocks for Ethernet data, control and status information.

The Ethernet block interfaces between an off-chip Ethernet PHY using the Reduced MII (RMII) protocol and the on-chip Media Independent Interface Management (MIIM) serial bus.

8.1.4 USB

Device and host controller with on-chip PHY.

8.1.4.1 USB device controller

This controller enables Full-speed (12 Mbit/s) data exchange with a USB Host controller. It consists of a register interface, serial interface engine, endpoint buffer memory and a DMA controller. The serial interface engine decodes the USB data stream and writes data to the appropriate endpoint buffer. The status of a completed USB transfer or error condition is indicated via status registers. If enabled, an interrupt is also generated. When enabled, the DMA controller transfers data between the endpoint buffer and the on-chip SRAM.

8.1.4.2 USB host controller

This controller enables full- and low-speed data exchange with USB devices attached to the bus. It consists of a register interface, a serial interface engine and a DMA controller. The register interface complies with the OHCI specification.

8.1.5 CAN

8.1.5.1 Description

The Controller Area Network (CAN) is a serial communications protocol which efficiently supports distributed real-time control with a very high level of security. Its application domain ranges from high-speed networks to low-cost multiplex wiring. The CAN block is intended to support multiple CAN buses simultaneously, allowing the device to be used as a gateway, switch or router among a number of CAN buses in industrial or automotive applications.

8.1.5.2 Features

- 2 CAN controllers and buses
- Data rates to 1 Mbit/s on each bus
- 32-bit register and RAM access
- Compatible with CAN specification 2.0B, ISO 11898-1
- Global Acceptance Filter recognizes 11- and 29-bit receive identifiers for all CAN buses
- Acceptance Filter can provide FullCAN-style automatic reception for selected Standard Identifiers
- FullCAN messages can generate interrupts

8.1.6 Power-saving modes

8.1.6.1 Peripheral and clock control

As shown in Figure 6, the CPU clock rate can also be controlled as needed by changing clock sources, reconfiguring PLL values and/or altering the CPU clock divider value. This allows a trade-off of power versus processing speed based on application requirements. In addition, Peripheral Power Control allows shutting down the clocks to individual on-chip peripherals, allowing fine-tuning of power consumption by eliminating all dynamic power use in any peripherals that are not required for the application.

The LPC1768 includes three independent oscillators. These are the main oscillator, the IRC oscillator and the RTC oscillator. Each oscillator can be used for more than one purpose as required in a particular application. Any of the 3-clock sources can be chosen by software to drive the main PLL and ultimately the CPU.

Following reset, the LPC1768 operates from the Internal RC oscillator until switched by software. This allows systems to operate without any external crystal and the boot loader code to operate at a known frequency. Main oscillator is driven by an optional external crystal on customer board. Its presence might be required if an accurate clock is necessary, for instance for USB or HS CAN compliancy.

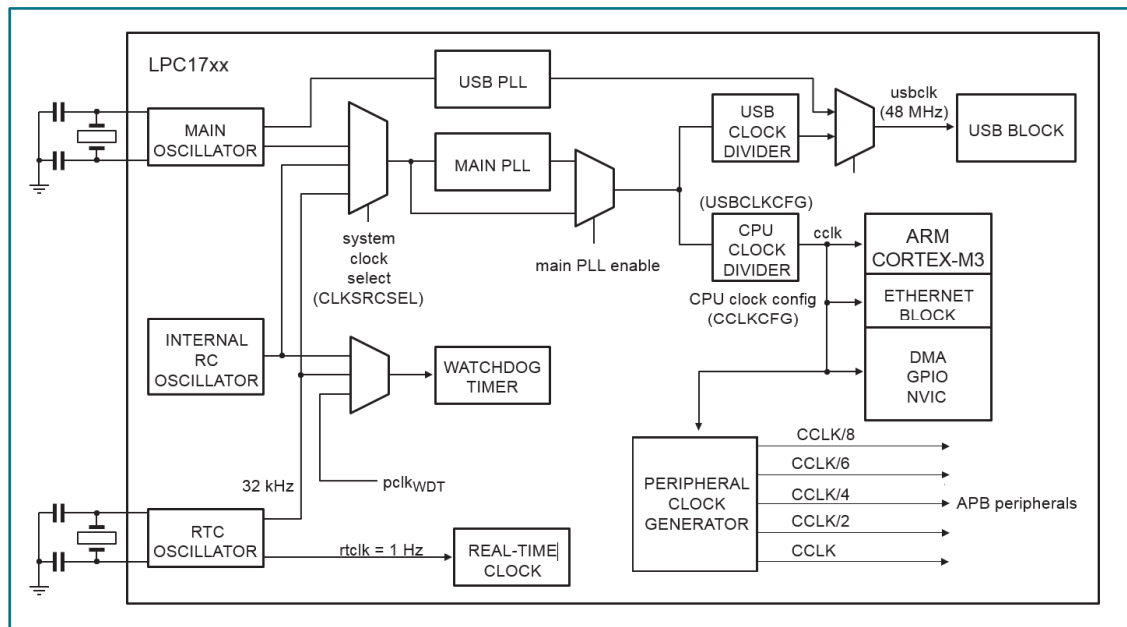


Figure 6 LPC1768 clock generation

8.1.6.2 Power modes

The LPC1768 supports various power control features. There are 4 special modes of processor power reduction:

- Sleep mode
- Deep sleep mode
- Power-down mode
- Deep power-down mode

The CPU clock rate may also be controlled as needed by changing clock sources, reconfiguring PLL values and/or altering the CPU clock divider value. This allows a trade-off of power versus processing speed based on application requirements. In addition, Peripheral Power Control allows shutting down the clocks to individual on-chip peripherals, allowing fine-tuning of power consumption by eliminating all dynamic power use in any peripherals that are not required for the application. Each of the peripherals has its own clock divider which provides even better power control.

An integrated PMU (Power Management Unit) automatically adjusts internal regulators to minimize power consumption during Sleep mode, Deep sleep mode, Power-down mode and Deep power-down mode.

The LPC1768 also implements a separate power domain to allow turning off power to the bulk of the device while maintaining operation of the RTC and a small set of registers for storing data during any of the Power-down modes.

Sleep mode: When Sleep mode is entered, the clock to the core is stopped. Resumption from the Sleep mode does not need any special sequence but re-enabling the clock to the ARM core.

In Sleep mode, execution of instructions is suspended until either a Reset or interrupt occurs. Peripheral functions continue operation during Sleep mode and may generate interrupts to cause the processor to resume execution. Sleep mode eliminates dynamic power used by the processor itself, memory systems and related controllers and internal buses.

Deep sleep mode: In Deep sleep mode, the oscillator is shut down and the chip receives no internal clocks. The processor state and registers, peripheral registers and internal SRAM values are preserved throughout Deep sleep mode and the logic levels of chip pins remain static. The output of the IRC is disabled but the IRC is not powered down for a fast wake-up later.

The RTC oscillator is not stopped because the RTC interrupts may be used as the wake-up source. The PLL is automatically turned off and disconnected.

The Deep sleep mode can be terminated and normal operation resumed by either a reset or certain specific interrupts that are able to function without clocks. Since all dynamic operation of the chip is suspended, this mode reduces chip power consumption to a very low value. Power to the flash memory is left on in Deep sleep mode, allowing a very quick wake-up.

Power-down mode: Power-down mode does everything that Deep sleep mode does, but also turns off the power to the IRC oscillator and flash memory. This saves more power but requires waiting for resumption of flash operation before code execution or data access can resume.

Deep power-down mode: The Deep power-down mode can only be entered from the RTC block. In Deep power-down mode, power is shut off to the entire chip except for the RTC module and the RESET pin. The LPC1768 can wake up from Deep power-down mode via the RESET pin or an alarm time match event of the RTC.

Wake-up interrupt controller: The wake-up Interrupt Controller (WIC) allows the CPU to wake up automatically from any enabled priority interrupt that can occur while the clocks are stopped in Deep sleep mode, Power-down mode and Deep power-down mode.

The WIC works with the Nested Vectored Interrupt Controller (NVIC). When the CPU enters Deep sleep mode, Power-down mode or Deep power-down mode, the NVIC sends a mask of the current interrupt situation to the WIC. This mask includes all of the interrupts that are both enabled and of sufficient priority to be serviced immediately. With this information, the WIC notices when one of the interrupts has occurred and then it wakes up the CPU. The WIC eliminates the need to periodically wake up the CPU and poll the interrupts.

8.1.7 RTC

The RTC is designed to have low-power consumption: less than 1 μ A. The RTC typically runs from the main chip power supply, conserving battery power while the rest of the device is powered up. When operating from a battery, the RTC is operational down to 2.1 V. Battery power can be provided from a standard 3 V Lithium button cell.

An ultra-low power 32 kHz oscillator provides a 1 Hz clock to the time counting portion of the RTC, moving most of the power consumption out of the time counting function.

The RTC contains a small set of backup registers (20 bytes) for holding data while the main part of the LPC1768 is powered off.

The RTC includes an alarm function that can wake up the LPC1768 from all reduced power modes with a time resolution of 1 s.

8.2 Application processor

The application processor is running a Virtual Machine (VM) able to interpret Java applications. It is running on the main CPU of the UMTS/EDGE/GPRS/GSM baseband and offers:

- portability to numerous platforms
- maintainability via secure download and update mechanisms
- large virtualized feature set, such as:
 - secure network access (https)
 - cryptography
 - Near Field Communication (NFC)²
- Java VM with the following features:
 - High performance J2ME Virtual Machine
 - based on IBM J9
 - Connected Device Configuration 1.1.2
- CDC Foundation Profile 1.1.2, extended with the following Telit API's
 - Wireless Messaging
 - Location
 - Audio playback
 - Telephony
 - Contactless communication - including secure element access
 - Power management
 - Service calls
 - Firmware Update over The Air
- Connection to microcontroller via message passing

As for memory, the application processor features:

- 256 MB of NAND flash memory available to store application data and code
- 128 MB of volatile memory for application data (LPDDR)

8.3 Position processing

8.3.1 Key features

ATOP 3.5 G features GNSS reception used for positioning services. This support is provided in software integrated on the application processor with the following key features:

- Supports both GPS and GLONASS
- “All in view” tracking capability
- Dual antenna support with internal switching:
 - passive antenna input with internal separate LNA
 - active antenna input with internal LNA bypass
- Supports following Satellite Based Augmentation Systems: WAAS, EGNOS, MSAS
- Receiver Autonomous Integrity Monitoring (RAIM) & Fault Detection and Exclusion (FDE) support
- Support of assistance data (Ephemerides, location, time...) provided by customer application to ensure faster Time To First Fix (TTFF)
- 1 Pulse Per Second (1PPS) output for synchronization with GPS system clock
- Software upgradable
- CEP50 < 2 m

8.3.2 Sensitivity

Table 4 shows acquisition and tracking sensitivity measurements for a passive antenna.

Table 4 Sensitivity

Symbol	Parameter	Conditions	Min	Typ	Max	Unit
t_{TTFF}	time to first fix time	open sky, hot start, -130 dBm signal	-	1.5	-	s
		open sky, warm start, -130 dBm signal	-	< 27	-	s
		open sky, cold start, -130 dBm signal	-	< 36	-	s
$P_{i(acq)}$	minimum acquisition input power	ephemeris decode, cold start	-	-145	-	dBm
		hot start	-	-152	-	dBm
$P_{i(trck)}$	minimum tracking input power		-	-160	-	dBm
$P_{i(reacq)}$	minimum reacquisition input power		-	-159	-	dBm

An active antenna should have an integrated LNA with a noise figure of 1.6dB, or lower, and a gain of 17dB, or higher, to achieve the same sensitivity as measured on the passive antenna input. A higher (or lower) noise figure results in a one to one worse (or better) sensitivity.

8.4 UMTS/EDGE/GSM/GPRS coprocessor

Connection to mobile networks is provided by a certified communications protocol stack that is field tested worldwide, with best-in-class RF performance and power consumption.

- 32-bit ARM1136EJ-S control processor, up to 390 MHz
- Communication engine
 - Support for 2 antennas allowing backup of primary antenna for 2G and 3G as well as receive diversity for high bit rate
 - UMTS/HSDPA/HSUPA Quad-band support for worldwide coverage: 2100 (I), 1900 (II), 1700 (IV/IX), 850 (V) (including 800 (VI)) and 900 (VIII), power class 3
 - 2.75G Quad-band support: GSM 850, PCS 1900, E-GSM 900, and DCS 1800 with EDGE/GPRS multi-slot class 12, class B, power class E2
- Audio subsystem
 - W-AMR/HR/FR/EFR/AMR Vocoders
 - Noise suppression and echo cancelation
 - 2 microphone inputs
 - 1 stereo or 2 mono outputs
 - 1 stereo class D up to 1 W @ 5 V / 8 Ω
 - Digital IO
- USIM card interface
 - class B and C
 - SIM toolkit R99 support for all provisioning functions that do not need a UI
- High performance interfacing
 - High-speed OTG USB
 - SDIO interface

The following maximum theoretical transfer speed can be reached for the different standards:

- HSUPA mode: 5.76 Mbps (Cat 6) uplink speed
- HSDPA mode: 14.4 Mbps (Cat 10) downlink speed
- UMTS mode: 384 Kbps DL/384 Kbps UL
- EDGE: 236.8 Kbps DL/236.8 Kbps UL (class 12)
- GPRS: 85.6 Kbps DL/85.6 Kbps UL (class 12)
- GSM: 14.4 Kbps DL/14.4 Kbps UL

8.5 Near Field Communication coprocessor

Remark: This paragraph applies only to OM12030/1X0 (with X as defined in Section 5).

To connect to an external device, such as vignette, mobile phone, or personalization station for car sharing scheme, an NFC communication link is present with the following features:

- Reader/writer and card interface modes
 - Baud rate up to 424 kbps
 - Complete NFC framing and error detection
 - Support for ISO14443 A, ISO14443 B, and MIFARE

This interface can also be used to exchange data with ISO14443/MIFARE cards.

8.6 Smartcard and JCOP operating system

Remark: This paragraph applies only to OM12030/1X0 (with X as defined in Section 5).

For telematics and other high value applications, it is paramount to protect against data tampering, loading of unauthorized applications, ID stealing, as well as to protect end-user privacy. For this, a secured component such as a smartcard is required as a root of trust.

In ATOP 3.5G this is achieved by a SmartMX co-processor with the following features:

- Latest built-in security features to avoid power (SPA/DPA), timing and fault attacks
- 20 KB EEPROM
 - Typical 500000 cycles endurance and minimum 20 years retention time
- 6144 Bytes RAM
- Secure cryptographic processor
 - High-performance secured Public Key Infrastructure (PKI) with RSA up to 2048, ECC GF(p) up to 320 bits
 - AES up to 256 bits and triple-DES

For portability and to allow multiple secure application cardlets to run in complete isolation, ATOP 3.5G offers a Java Card Open Platform operating system (JCOP) v2.4.2 based on independent, third-party specifications, that is, by Sun Microsystems, the Global Platform consortium, the International Organization for Standards (ISO), EMV (Europay, MasterCard and VISA) and others.

The SmartMX family was designed to service high volume, single-application and multi-application markets such as eGovernment, Smart Passport, banking/finance, mobile communications, public transportation, pay TV, conditional access, network access and digital rights management, thus ensuring applications running on ATOP 3.5G can rely on the highest level of security available.

For more information, contact the **Telit Technical Support Center (TTSC)**.

8.7 Debugging versus software security

While debug capabilities are a must, the observability, test, and control capabilities they provide can also be used for device tampering. ATOP 3.5G offers debug capabilities and security features that ensure that only signed software is executed. It is up to the customer to enable this. Unlocking is not possible.

For debug, the following features are present:

- LPC1768 MCU
 - CPU debug via JTAG or Serial Wire Debug interface;
 - Unique Serial Number;
 - Core Read Protection with multiple levels.

For security, the following features are present and can protect against unauthorized debug, code tampering and insertion:

- Observability
 - JTAG access locked down until authentication is performed;
 - Secure debug with authentication.
- Code authentication and integrity
 - Code is signed with Public Key cryptography to ensure authentication and checked at boot.

8.8 Firmware update Over The Air (FOTA)

Considering the long lifetime of Telematics applications, it is mandatory to be able to update the different software elements of an application over the air. To this purpose, ATOP 3.5G provides multiple mechanisms:

- 2 partitions of 27 MB for storing communication stack and virtual machine
 - Dual boot mechanism, to switch between newer or older stack
 - API to access to firmware versions
- Utility processor microcode update mechanism
- Update mechanism embedded in virtual machine for applications

8.9 Battery and power management

All voltage conversion and battery charging management are handled by ATOP 3.5G.

- Direct connection to mobile phone type battery
 - Optional connection to coin cells for RTC
- Battery charging management
 - Full hardware and software support of single cell Li-Ion, Li-Ion polymer battery with voltage and charge current monitoring
- Support large voltage range: See Table 11
- Integration of all required LDO and DC-to-DC converters

Separate power supply pins are provided for microcontroller, RTC and the rest of the system, so that each part can be separately disabled.

The utility microcontroller can be programmed to wake up ATOP 3.5G on external (CAN, GPIO ...) or RTC events.

1 μ A are drawn by RTC standalone via an optional separate power supply.

8.10 OTP content

Storage in One Time Programmable memory (OTP) of critical parameters:

- IMEI
- Serial Number
- Assembly data, including week code, etc.
- ATOP 3.5G type description
- RF calibration parameters
- Essential NV items for proper 3GPP behavior

9 Application design-in information

9.1 Battery charging

ATOP 3.5G natively handles Lithium Ion battery technology.

The charging algorithm supports three charging techniques: trickle charge, constant-current and constant voltage. The charging state machine is mostly automated, with a minimum of software intervention.

- The first step in the automated charging process determines if trickle charging is needed. Charging of a severely depleted battery must begin with trickle charging to limit the current and protect the battery from more charging current than it can handle.
- Once a minimum battery voltage is established using trickle charging, constant-current charging is enabled to charge the battery quickly – this mode is sometimes called fast charging.
- Once the battery approaches its target voltage, the charge is completed using constant-voltage charging.

A battery thermistor sensor allows controlling the temperature window within which the charger is active.

For characteristics of the charging process, refer to Sections 12.2 and 13.5.

Figure 7 shows the internal and external components involved in battery charging.

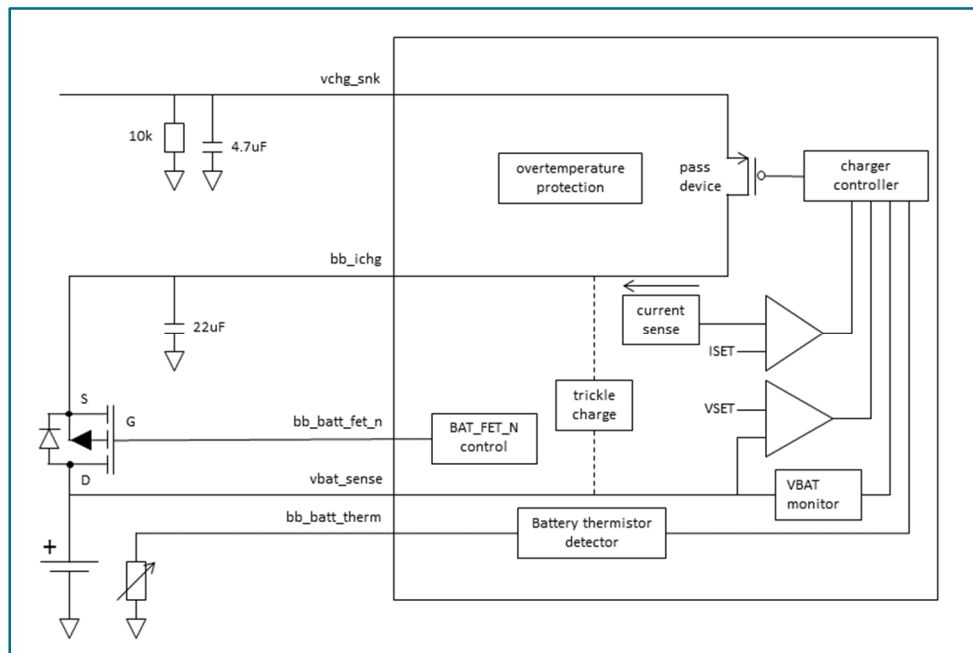


Figure 7 ATOP 3.5G battery charging

If no rechargeable battery is used in the application, the charging control pins must be connected as follows:

- VCHG_SNK, BB_BATT_FET_N, BB_ICHG, and BB_BATT_THERM must be left unconnected
- VBAT_SENSE must be connect to VBAT_PA_SNK

9.2 Current source

ATOP 3.5G handles all its voltage conversion internally.

For the Utility Processor, a separate input, VBAT_MC_SNK, is used. Internally, an LDO, controlled by VDD_3V0_SRC_ENA (active HIGH, with internal pull up), converts it to the 3 V required by the utility processor. As described in Figure 8, the output of the LDO is also available externally to power external component, up to a maximum of 50 mA can be drawn, depending on the operating temperature range and the VBAT_MC_SNK value. Other limiting values can be found in Table 14.

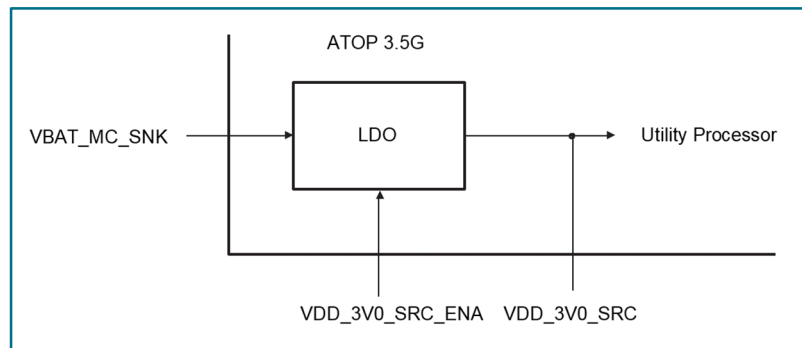


Figure 8 ATOP 3.5G VDD_3V0_SRC current source

9.3 RTC

The MCU RTC is internally supplied by the output of the LDO described in Figure 8. It can also be supplied by a separate battery such as a coin cell via VBAT_RTC_SNK such that the RTC is kept alive in case of power loss.

9.4 ESD protection

All pins are tested against ESD according to HBM. Pins that have direct a connection to external world in the application, such as antennas and battery charging, are tested against ESD following HMM models.

- Human Body Model (HBM): 2000 V requirements are fulfilled
- Human Metal Model (HMM), detailed list is as follows:
 - CELL_ANT1 and CELL_ANT2 up to 4 kV
 - VBAT_SNK, VBAT_MC_SNK, and VBAT_VCC_PA_SNK up to 4 kV
 - For GPS_PAS_ANT and GPS_ACT_ANT up to 4 kV. For GPS_ACT_ANT an external ESD protection diode is recommended if used externally

Charged Device Model (CDM) is considered not applicable for metal-shielded modules, such as OM12030.

9.5 NFC antenna design

Remark: This paragraph applies only to OM12030/1X0 (with X as defined in Section 5).

For NFC antenna design, refer to Ref [6] for antenna design and Ref [7] in case the application requires to boost the NFC signal.

Figure 9 describes the internal setup of NFC_ANT pins, with $R_1 = 1\text{ k}\Omega$, $R_2 = 2.7\text{ k}\Omega$, $C_{rx} = 1\text{ nF}$, $C_{vmid} = 100\text{ nF}$.

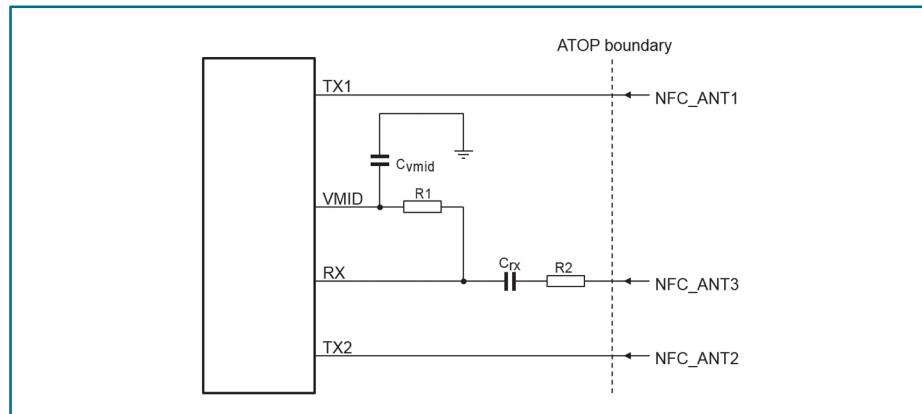


Figure 9 ATOP 3.5G internal setup of NFC antenna

9.6 Antenna placement

Care must be taken to introduce sufficient distance between the various antennas in the system. In particular, if an active GNSS antenna is positioned too close to a 3G cellular antenna, the LNA of the active GNSS antenna will amplify any spurious that the 3G antenna may radiate in the GNSS frequency bands. For more information, refer to section 15.

9.7 Electrical safety

ATOP 3.5G is intended only for installation in a restricted area location.

It shall be supplied by a limited power source complying with clause 2.5 of EN 60950-1 and mounted on a V1 flammability class material or better.

it shall be supplied by a power supply which next features:

- If you do not use overcurrent protection devices: Current of short-circuit of power supply < 8 A. / Apparent power < 100 VA;
- If you use overcurrent protection devices: Current of short-circuit < 333 A. / Apparent power < 250 VA. (The rated current of overprotection device shall be < 5A).

9.8 Software package

For customer production and end-of-line testing, the following software tools are provided to interface to the module:

- ATOP test software example in source
- Parameters settings in OTP (IMEI, RF parameters)
- Flashing tool for the application processor

A flashing tool for the utility processor can be downloaded from a third party web site.

10 Limiting values

Table 5 Power supply

Parameters mentioned in this table are indicative and taken from supplier data sheets.

Symbol	Parameter	Conditions	Min	Max	Unit
$V_{BAT(VBAT_PA_SNK)}$	battery supply voltage on pin VBAT_PA_SNK	battery voltage for RF amplifier	3.2	4.6	V
$V_{BAT(VBAT_SNK)}$	battery supply voltage on pin VBAT_SNK	battery voltage for application processor	3.2	4.4	V
$V_{BAT(VBAT_MC_SNK)}$	battery supply voltage on pin VBAT_MC_SNK	battery voltage for utility processor	3.1	5.5	V
$V_{BAT(VBAT_RTC_SNK)}$	battery supply voltage on pin VBAT_RTC_SNK	battery voltage for utility processor RTC	2.1	3.25	V
$V_{BAT(VBAT_CHG)}$	battery supply voltage on pin VBAT_CHG	charger supply voltage	-	5.0	V
$V_{BAT(VBAT_SPKR)}$	battery supply voltage on pin VBAT_SPKR	amplifier supply voltage	-	5.0	V

Table 6 Microcontroller pins

Parameters mentioned in this table are indicative and taken from supplier data sheets.

Symbol	Parameter	Conditions	Min	Max	Unit
$V_{I(a)}$	analog input voltage	on ADC-related pins	-0.5	+5.1	V
V_i	input voltage	5 V tolerant I/O pins [1][2]	-0.5	+5.5	V
		other I/O pins [1]	-0.5	+3.6	V
		input voltage for MC_XTAL1; internal oscillator input	0	1.95	V

[1] $V_{BAT(VBAT_MC_SNK)}$ (battery voltage for utility processor) must be present.

[2] 3-state outputs go into 3-state mode when $V_{BAT(VBAT_MC_SNK)}$ (battery voltage for utility processor) is grounded.

Table 7 Cellular baseband digital interfaces

Parameters mentioned in this table are indicative and taken from supplier data sheets.

Symbol	Parameter	Conditions	Min	Max	Unit
V_i	input voltage		-0.5	+2.3	V
I_i	input current		-100	+100	mA

Table 8 Cellular antennas

Due to their ESD protection implementation the antennas are DC grounded. Parameters mentioned in this table are indicative and taken from supplier data sheets.

Symbol	Parameter	Conditions	Min	Max	Unit
R_I	input resistance	DC voltage	-	1	Ω
$VSWR_{load}$	load voltage standing wave ratio	all phase angles	-	20:1	-
$P_{o(sp)}$	spurious output power	LOW bands; for all phase angles, load VSWR = 12:1, all phase angles	-	-30	dBm
		HIGH bands; for all phase angles, load VSWR = 8:1, all phase angles	-	-30	dBm

Table 9 GPS passive antenna input

Due to its ESD protection implementation, the GPS antenna is DC grounded. Parameters mentioned in this table are indicative and taken from supplier data sheets.

Symbol	Parameter	Conditions	Min	Max	Unit
R_I	input resistance	DC voltage	-	1	Ω

Table 10 GPS active antenna input and antenna bias

Parameters mentioned in this table are indicative and taken from supplier data sheets.

Symbol	Parameter	Conditions	Min	Max	Unit
$V_{I(max)}$	maximum input voltage	DC voltage	-25	+25	V
I_I	input current	DC current	-	70	mA

11 Recommended operating conditions

ATOP 3.5G is qualified for automotive use, in accordance with TELIT's "Knowledge-Based Qualification" ("KBQ", based on ZVEI's Robustness Validation, Ref. [1]), using AEC-Q100-defined qualification tests, targeting 15 years lifetime.

Table 11 Recommended operating conditions

Allowed temperature ranges.

Symbol	Parameter	Conditions	Min	Max	Unit
T_{stg}	storage temperature	module storage temperature range before final reflow, stored in dry pack	-40	+125	°C
T_{amb}	ambient temperature	module limited ambient temperature range for utility processor (LPC1768)	-40	+85	°C
		module ambient temperature range all functions (the limiting factor is NFC)	-30	+85	°C
$V_{ch(VCHG_SNK)}$	charge voltage on pin VCHG_SNK		-	5.0	V
$V_{BAT(VBAT_PA_SNK)}$	battery supply voltage on pin VBAT_PA_SNK	battery voltage for RF amplifier	3.4	4.4	V
$V_{BAT(VBAT_SNK)}$	battery supply voltage on pin VBAT_SNK	battery voltage for application processor	3.2	4.4	V
$V_{BAT(VBAT_MC_SNK)}$	battery supply voltage on pin VBAT_MC_SNK	battery voltage for utility processor	3.1	5.5	V
$I_{BAT(m)}$	peak current to be used to dimension decoupling capacitors on pin VBAT_PA_SNK		-	2200	mA

12 Thermal characteristics

12.1 Internal temperature sensor

ATOP 3.5G includes an internal temperature sensor. The LPC1768 has access to this sensor to adapt its behavior to conditions.

12.2 Battery charging

To improve battery lifetime, it is recommended to avoid charging batteries outside of the temperature range specified by their manufacturers, typically 0 °C to 50 °C.

13 Static characteristics

13.1 Pins

Table 12 Characteristics for microcontroller pins

Parameters mentioned in this table are indicative and taken from supplier data sheets.

Symbol	Parameter	Conditions	Min	Typ	Max	Unit
V_o	output voltage		0	-	3.0	V
V_{IH}	HIGH-level input voltage		2.0	-	-	V
V_{IL}	LOW-level input voltage		-	-	0.8	V
I_{IL}	LOW-level input current	$V_I = 0$ V; no pull up	-	-	10	nA
I_{IH}	HIGH-level input current	$V_I = 3.0$ V; no pull-down	-	-	10	nA
V_{OH}	HIGH-level output voltage	$I_{OH} = -4$ mA	2.6	-	-	V
V_{OL}	LOW-level output voltage	$I_{OL} = -4$ mA	-	-	0.4	V
I_{OL}	LOW-level output current	$V_{OL} = 0.4$ V	4	-	-	mA
I_{OH}	HIGH-level output current	$V_{OH} = 2.6$ V	-4	-	-	mA
I_{OSL}	LOW-level short-circuit output current	$V_I = 3.0$ V [1]	-	-	50	mA
I_{OSH}	HIGH-level short-circuit output current	$V_I = 0$ V [1]	-	-	-45	mA
I_{OZ}	OFF-state output current	$V_O = 3.0$ V or 0 V; no pull up/pull-down	-	-	10	μ A
I_{pd}	pull-down current	$V_I = 5$ V	10	50	150	μ A
I_{pu}	pull up current	$V_I = 0$ V	-15	-50	-85	μ A
		3.0 V < V_I < 5 V	0	0	0	μ A
$I_{lu(IO)}$	input/output latch-up current	-1.5 V < V_I < 4.5 V; $T_{amb} < 125$ °C	-	-	100	mA

[1] Only allowed for a short time period.

Table 13 Characteristic for baseband digital interface

Parameters mentioned in this table are indicative and taken from supplier data sheets.

Symbol	Parameter	Conditions	Min	Typ	Max	Unit
V_{IH}	HIGH-level input voltage		1.2	-	2.1	V
V_{IL}	LOW-level input voltage		-0.3	-	0.6	V
I_{IL}	LOW-level input current		-1	-	-	μ A
I_{IH}	HIGH-level input current		-	-	1	μ A
V_{OH}	HIGH-level output voltage		1.35	-	1.8	V
V_{OL}	LOW-level output voltage		-	-	0.1	V
R_{pu}	pull up resistance		-	100	-	k Ω
R_{pd}	pull-down resistance		-	100	-	k Ω
C_i	input capacitance		-	-	10	pF

13.2 Current sources

Table 14 VDD_3V0_SRC current source

Can be used to supply external components.

Symbol	Parameter	Conditions	Min	Typ	Max	Unit
Pin: VDD_3V0_SRC						
V_o	output voltage	for $T_{amb} = -40\text{ °C to }+85\text{ °C}$	2.9	3.0	3.1	V
I_o	output current		-	-	50	mA
t_{on}	turn-on time	measured from the moment VDD_3V0_SRC_ENA exceeds 1.4 V [1]	-	240	-	μs
Load regulation						
$\Delta V_o / (V_o \times \Delta I_o)$	relative output voltage variation with output	[1]	-	0.002	0.004	%/mA
Line regulation						
$\Delta V_o / (V_o \times \Delta V_i)$	relative output voltage variation with input	for $V_{BAT}(V_{BAT_MC_SNK})$ variation [1]	-0.1	0.02	0.1	%/V

[1] Parameter is indicative and taken from supplier data sheet.

Table 15 VSIM_SRC current source

To be only used to supply SIM cards^[1]. Parameters mentioned in this table are indicative and taken from supplier data sheets.

Symbol	Parameter	Conditions	Min	Typ	Max	Unit
Pin: VSIM_SRC						
V_o	output voltage	for ISO7816-3 class B SIMs	2.80	-	3.00	V
		for ISO7816-3 class C SIMs	1.7	-	1.80	V
I_o	output current	full power mode	-	-	150	mA
		sleep mode	-	-	3	mA

[1] Voltage is dynamically controlled to reduce power consumption when SIM card is not accessed.

13.3 Voltage references

Table 16 VIO_REF voltage reference

To be used as a reference for connecting BB digital interfaces. Parameters mentioned in this table are indicative and taken from supplier data sheets.

Symbol	Parameter	Conditions	Min	Typ	Max	Unit
Pin: VIO_REF						
V_o	output voltage		1.74	1.80	1.86	V
$\Delta V_o/V_o$	relative output voltage variation	for V_{BAT} (V_{BAT_SNK}) variation	-	-	3	%/V

Table 17 VADC_REF voltage reference

Used as power supply reference for internal ADCs.

Symbol	Parameter	Conditions	Min	Typ	Max	Unit
Pin: VADC_REF						
V_o	output voltage	for $T_{amb} = -40\text{ °C}$ to $+85\text{ °C}$	2.9	3.0	3.1	V
I_o	output current	for $T_{amb} = -40\text{ °C}$ to $+85\text{ °C}$ [1]	-	-	1	mA
$\Delta V_o/(V_o \times \Delta V_i)$	relative output voltage variation with input voltage	for V_{BAT} ($V_{BAT_MC_SNK}$) variation [2]	-0.1	-	0.1	%/V

[1] To be used only as a reference voltage.

[2] Parameter is indicative and taken from supplier data sheet.

13.4 Clocks

Table 18 1PPS

This pulse is synchronized with GPS system clock.

Symbol	Parameter	Conditions	Min	Typ	Max	Unit
t_w	pulse width		-	100	-	μs
t_{jit}	jitter time RMS	stationary and receiving 4 or more satellites	-	4.1	-	ms
V_{OH}	HIGH-level output voltage		1.35	-	1.80	V
V_{OL}	LOW-level output voltage		-	-	0.1	V

Table 19 BB_EXT_CLK

Symbol	Parameter	Conditions	Min	Typ	Max	Unit
f_{xtal}	reference oscillator frequency		-	19.2	-	MHz
$\Delta f_{xtal}/f_{xtal}$	reference oscillator frequency accuracy (-40°C to +85°C)		-	2	5	ppm
V_{OH}	HIGH-level output voltage	at 6 mA	2.15	2.60	-	V
V_{OL}	LOW-level output voltage	at 6 mA	-	-	0.45	V

Table 20 Microcontroller clock

External crystal required for high-speed CAN, for all other purposes, internal RC oscillator is sufficient. Parameters mentioned in this table are indicative and taken from supplier data sheets.

Symbol	Parameter	Conditions	Min	Typ	Max	Unit
f_{xtal}	crystal frequency	in case of externally oscillator, connected to MC_XTAL_1 and MC_XTAL_2	1	-	25	MHz
$V_{i(clk)RMS}$	RMS clock input voltage		0.2	-	-	V
$t_{cy(clk)}$	clock cycle time		40	-	1000	ns
$t_{clk(H)}$	clock HIGH time		$0.4 \times t_{cy(clk)}$	-	-	ns
$t_{clk(L)}$	clock LOW time		$0.4 \times t_{cy(clk)}$	-	-	ns
$t_{r(clk)}$	clock rise time		-	-	5	ns
$t_{f(clk)}$	clock fall time		-	-	5	ns
f_{osc}	oscillator frequency	frequency of internal RC oscillator	3.96	4	4.04	MHz

Table 21 Internal Real-Time Clock

An internal crystal generates RTC. Parameters mentioned in this table are indicative and taken from supplier data sheets.

Symbol	Parameter	Conditions	Min	Typ	Max	Unit
f_{xtal}	crystal frequency	in case of externally generated clock	-	32.768	-	KHz
$\Delta f_{xtal}/f_{xtal}$	relative crystal frequency variation	first year of aging	-20	-	20	10^{-6}
TC	temperature coefficient		-0.028	-0.034	-0.04	$10^{-6}/C^{\circ 2}$
T_{turnp}	turning point temperature		20	25	30	C°
t_d	delay time	time to reach stability; at 25 °C, starting from VDD_3V0 > 2 V	-	300	-	ms

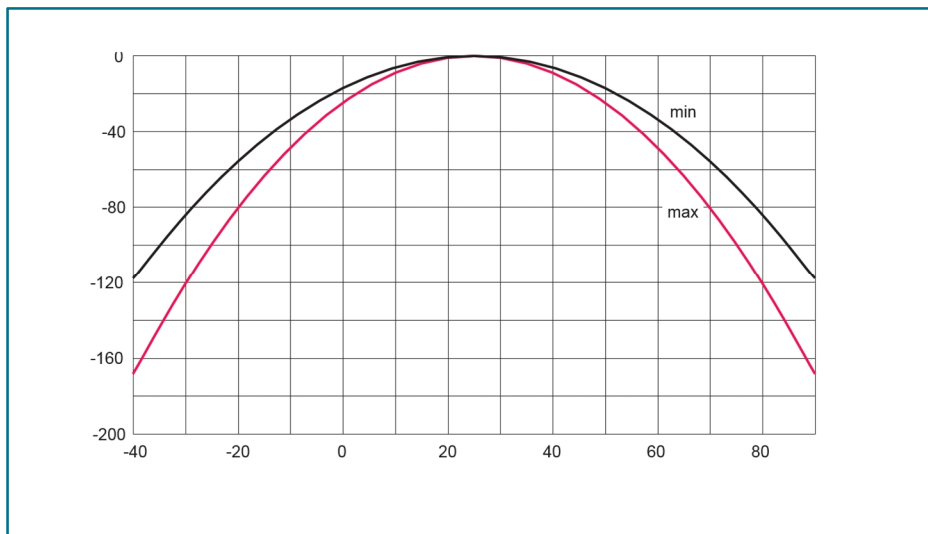


Figure 10 32KHz deviation in ppm depending on temperature

13.5 Battery charging

Table 22 Battery charging

Handled by integrated battery charging unit. Parameters mentioned in this table are indicative and taken from supplier data sheets.

Symbol	Parameter	Conditions	Min	Typ	Max	Unit
$V_{DD(chg)}$	charger supply voltage		-	-	5	V
$T_{en(ch)}$	charge enable temperature	charger only enabled within this window	0	-	40	deg
$V_{ch(trickle)}$	trickle charge voltage	battery level at which fast charge mode starts	-	[1]	-	V
$I_{ch(trickle)}$	trickle charge current		10	[1]	160	mA
$V_{ch(fast)}$	fast charge voltage	constant voltage phase	-	[1]	-	V
$I_{ch(fast)}$	fast charge current	constant current phase	I_{EOC}	[1]	1000	mA
I_{eoc}	end of charge current	auto charge ends when battery current reaches this level	-	[1]	$I_{ch(fast)}$	mA
$V_{th(ch)}$	charge threshold voltage	auto charge resumes when battery level drops below this level	-	[1]	-	V

- [1] Settings are software programmable, depending on battery technology (Lilon, LiFePO4...) and need to be set accordingly.

14 Dynamic characteristics

14.1 Power consumption

Table 23 Utility processor power consumption

Measured at $T_{amb} = 25\text{ °C}$ with a power supply at 3.7 V. Covers LPC1768 and LDO.

Symbol	Parameter	Conditions	Min	Typ	Max	Unit
I_i	input current	Cortex M3 at 12 MHz [1]	-	7	-	mA
		Cortex M3 at 100 MHz [1]	-	45	-	mA
		Cortex M3 in Power-down mode [2]	-	100	-	μA
		RTC active [3]	-	1	-	μA

[1] No peripherals enabled.

[2] Wake-up can be initiated by event on RTC, CAN, USB and most GPIOs.

[3] In case a separate power source such as a coin cell is connected to VBAT_RTC_SNK and no power is supplied via VBAT_MC_SNK.

Table 24 Application processor power consumption

Baseband ARM and memories power consumption additionally to cellular function.

Symbol	Parameter	Conditions	Min	Typ	Max	Unit
I_i	input current	application processor	-	[1]	-	mA

[1] Application dependent.

Table 25 Security processor power consumption

Measured at $T_{amb} = 25\text{ °C}$ with a power supply at 3.7 V. Only for OM12030/1X0 and OM12030/2X0 (with X as defined in Section 5).

Symbol	Parameter	Conditions	Min	Typ	Max	Unit
I_i	input current	function switched OFF; included in NFC coprocessor	-	-	0	μA
		function active	-	6	-	mA

Table 26 NFC coprocessor power consumption

Measured at $T_{amb} = 25\text{ °C}$ with a power supply at 3.7 V. Covers NFC. Only for OM12030/1X0 (with X as defined in Section 5).

Symbol	Parameter	Conditions	Min	Typ	Max	Unit
I_i	input current	function switched OFF	-	2	-	μA
		Power-down mode; RF field detection ON	-	35	-	μA
		NFC and SMX active	-	30	-	mA
		NFC and SMX active with RF transmission ongoing	-	90	130	mA

Table 27 Communication processor power consumption

Measured at $T_{amb} = 25\text{ °C}$ with a power supply at 3.7 V.

Symbol	Parameter	Conditions	Min	Typ	Max	Unit	
DC1800I _i	input current (combined VBAT_SNK and VBAT_PA_SNK)	Data transfer					
		WCDMA 2100 (Band I)	-	220	630 [2]	mA	
		WCDMA 1900 (Band II)	-	-	630 [2]	mA	
		WCDMA 1800 (Band III)	-	-	<td>	mA	
		WCDMA 1700 (Band IV)	-	-	630 [2]	mA	
		WCDMA 850 (Band V)	-	-	600 [2]	mA	
		WCDMA 900 (Band VIII)	-	-	600 [2]	mA	
		EDGE class 12 (high bands) 4Tx - 1 Rx slots	-	-	550 [3]	mA	
		EDGE class 12 (low bands)	-	-	600 [3]	mA	
		GPRS class 12 (high bands)	-	-	800 [4]	mA	
		GPRS class 12 (low bands)	-	-	900 [4]	mA	
		Voice					
		GSM	-	-	200 [5]	mA	
		WCDMA	-	-	250 [6]	mA	
		Stand-by					
GSM900	-	-	2.3	mA			
DCS800	-	-	2.1	mA			
WCDMA	-	-	1.7	mA			

[1] Average current. Measurements are performed according to 3GPP 4.14 subclause 5.4 for 2G, 34.121 app C2 for 3G.

[2] 24 dBm transmit power.

[3] 27 dBm for low bands, 26 dBm for high bands.

[4] 33 dBm for low bands, 30 dBm for high bands.

[5] 33 dBm for low bands, 30 dBm for high bands.

[6] Weighted current consumption. Reference document DG.09, WCDMA 2100

14.2 Cellular RF parameters

Table 28 Operating frequencies

The operating frequencies in GSM850, EGSM900, CDS1800, PCS1900, and WCDMA conform to 3GPP specifications.

Mode	Freq.TX (MHz)	Freq RX (MHz)	Channels	TX – RX offset
GSM850	824.2 ~ 848.8	869.2 ~ 893.8	128 ~ 251	45 MHz
EGSM900	890.0 ~ 914.8	935.0 ~ 959.8	0 ~ 124	45 MHz
	880.2 ~ 889.8	925.2 ~ 934.8	975 ~ 1023	45 MHz
DCS1800	1710.2 ~ 1784.8	1805.2 ~ 1879.8	512 ~ 885	95 MHz
PCS1900	1850.2 ~ 1909.8	1930.2 ~ 1989.8	512 ~ 810	80 MHz
WCDMA850 (CLR)	826.4 ~ 846.6	871.4 ~ 891.6	TX: 4132 ~ 4233	45 MHz
			RX: 4357 ~ 4458	
WCDMA900	882.4 ~ 912.6	927.4 ~ 957.6	TX: 2712 ~ 2863	45 MHz
			RX: 2937 ~ 3088	
WCDMA1700 (AWS)	1712.4 ~ 1752.6	2112.4 ~ 2152.6	TX: 1312 ~ 1513	400 MHz
			RX: 1537 ~ 1738	
WCDMA1800 (DCS)	1710.4 ~ 1785.6	1805.4 ~ 1180.6	RX: 937 ~ 1288	95 MHz
			TX: 1162 ~ 1513	
WCDMA1900 (PCS)	1852.4 ~ 1907.6	1932.4 ~ 1097.6	TX: 9262 ~ 9538	80 MHz
			RX: 9662 ~ 9938	
WCDMA2100 (IMT)	1922.4 ~ 1977.6	2112.4 ~ 2167.6	TX: 9512 ~ 9888	190 MHz
			RX: 10562 ~ 10838	

Not all ATOP 35G variants support all of the above bands. The band combinations per variant are defined in section 5.

Table 29 Receiver sensitivity in GSM

Typical values measured on TELIT reference board at 3.8 V and for $T_{amb} = 25\text{ }^{\circ}\text{C}$ for all channels; 3GPP requirement is -102 dBm ; for $T_{amb} = 25\text{ }^{\circ}\text{C}$ and all voltage conditions ($3.4\text{ V} \leq V_{BAT(VBAT_PA_SNK)} \leq 4.4\text{ V}$).

Symbol	Parameter	Conditions	Min	Typ	Max	Unit
S _{RX}	receiver sensitivity	GSM850 band	-	-110.3	-	dBm
		GSM900 band	-	-111.3	-	dBm
		DCS1800 band	-	-108.6	-	dBm
		PCS1900 band	-	-108.9	-	dBm

Table 30 Receiver sensitivity in UMTS

Typical values measured on TELIT reference board at 3.8 V and for $T_{amb} = 25\text{ }^{\circ}\text{C}$ for all channels; 3GPP requirement is band specific; for $T_{amb} = 25\text{ }^{\circ}\text{C}$ and all voltage conditions ($3.4\text{ V} \leq V_{BAT(VBAT_PA_SNK)} \leq 4.4\text{ V}$).

Symbol	Parameter	Conditions	Min	Typ	Max	Unit	
S _{RX}	receiver sensitivity	band I	3GPP requirement is -106.0	-	-109.5	-	dBm
		band II	3GPP requirement is -104.0	-	-110.3	-	dBm
		band III (IX)	3GPP requirement is -103.3	-	-<td>	-	dBm
		band IV	3GPP requirement is -106.0	-	-110.1	-	dBm
		band V (VI)	3GPP requirement is -104.0	-	-111.2	-	dBm
		band VIII	3GPP requirement is -103.0	-	-111.0	-	dBm

Table 31 Transmit GSM output power

Typical values at 3.8 V and for $T_{amb} = 25\text{ }^{\circ}\text{C}$; 3GPP requirement is 33 / 27 dBm +/- 2.5dB for GSM / EDGE 850 + 900 MHz and 30 / 26 dBm +/- 2.5dB for GSM / EDGE 1800 + 1900 MHz for all temperature conditions (-40 to + 85 C) and all voltage conditions ($3.4\text{ V} \leq V_{BAT(VBAT_PA_SNK)} \leq 4.4\text{ V}$).

Symbol	Parameter	Conditions	Min	Typ	Max	Unit
P _{TX}	GSM / GPRS mode (up to 4 TX slots)	GSM850 band / PCL 5	30.5	32.8	35.5	dBm
		GSM900 band / PCL 5	30.5	32.5	35.5	dBm
		DCS1800 band / PCL 0	27.5	29.6	32.5	dBm
		PCS1900 band / PCL 0	27.5	29.7	32.5	dBm
	EDGE mode	GSM850 band / PCL 8	24.5	26.8	29.5	dBm
		GSM900 band / PCL 8	24.5	26.5	29.5	dBm
		DCS1800 band / PCL 2	23.5	25.7	28.5	dBm
		PCS1900 band / PCL 2	23.5	25.6	28.5	dBm

Table 32 Transmit UMTS maximum RMS power

Typical values at 3.8 V and for $T_{amb} = 25\text{ }^{\circ}\text{C}$; 3GPP requirement is 24 dBm +/-3 for all temperature conditions ($-40\text{ }^{\circ}\text{C} \leq T_{amb} \leq +85\text{ }^{\circ}\text{C}$) and all voltage conditions ($3.4\text{ V} \leq V_{BAT(VBAT_SNK)} \leq 4.4\text{ V}$).

Symbol	Parameter	Conditions	Min	Typ	Max	Unit
P _{MAX}	maximum RMS power	band I	21	22.9	25	dBm
		band II	21	22.9	25	dBm
		band III (IX)	21	22.9	25	dBm
		band IV	21	22.9	25	dBm
		band V (VI)	21	22.9	25	dBm
		band VIII	21	22.9	25	dBm

15 Test and qualification information

ATOP 3.5G is a class A digital device for use in a commercial, industrial or business environment.

It is tested to conform to FCC and AT&T as well as to R&TTE articles 3.1(a) and (b), safety and EMC respectively and relevant article 3.2 requirements using the TELIT reference board. The manufacturer of the final product integrating ATOP 3.5G must assess its equipment against the essential requirements of the R&TTE, FCC and AT&T directives.

ATOP 3.5G is targeted to be compliant with the following standards:

- Mandatory European standards
 - R&TTE Article 3.1a: Electrical safety (EN60950)
 - R&TTE Article 3.1a: SAR (EN62209-1): MPE calculation as distance > 20 cm
 - R&TTE Article 3.1b: EMC (EN62311:2008, EN301489-1, and EN301489-7 for GSM, EN301489-24 for UMTS)
 - R&TTE Article 3.2: Radiated RF (EN301511 for GSM, EN301908-1/-2 for UMTS, EN300440-1/-2 for GPS, EN300291-1/-2 for NFC)
 - Notified Body opinion according to Annex IV: Evaluation of compliance with essential requirements
- Mandatory US and Canadian standards
 - FCC EMC: part 15B
 - FCC RF: part 24 for PCS1900, part 22 for GSM850, part 15.225 for NFC
 - FCC certificate from Telecom Certification body
- Voluntary certification
 - Global Certification Forum (GCF), including Field Tests
 - PCS-1900 Type Certification Review Board (PTCRB)
 - AT&T certificate
 - Certification for Japanese Radio and Telecommunication law (TELEC)

Certification reports are available upon request.

SAR according to EN 62209-1 has not been checked and replaced by MPE calculation. Hence the antenna(s) used in the final application must be installed to provide a separation distance of at least 20 centimeters from all persons and must not be co-located or operating with any other antenna or transmitter. Additionally, for FCC compliance, the system antenna(s) gain must not exceed 3 dBi for mobile and fixed or mobile operating configurations.

The manufacturer of the final product using ATOP 3.5G will have to provide instructions for antenna installation and transmitter operating conditions to satisfy to RF exposure compliance.

The manufacturer of the final product using ATOP 3.5G should take care that ATOP 3.5G is always within the operating limits (temperature, power supply, ...) described in the present document. In particular it must be supplied by a limited power source according to EN 60950-1.

Physically, the clearance and creepage distances required by the end product must be upheld when the module is installed. The cooling of the end product shall not negatively be influenced by the installation of the module.

Manufacturers of devices incorporating this module are advised to clarify any regulatory questions and to have their complete product tested and approved for R&TTE, FCC, AT&T compliance and all relevant regulations.

15.1 FCC and IC Cautions

Modification statement



“Telit Communications S.P.A.” has not approved any changes or modifications to this device by the user. Any changes or modifications could void the user’s authority to operate the equipment.

“Telit Communications S.P.A.” n’approuve aucune modification apportée à l’appareil par l’utilisateur, quelle qu’en soit la nature. Tout changement ou modification peuvent annuler le droit d’utilisation de l’appareil par l’utilisateur.

Interference statement



This device complies with Part 15 of the FCC Rules and Industry Canada licence-exempt RSS standard(s). Operation is subject to the following two conditions: (1) this device may not cause interference, and (2) this device must accept any interference, including interference that may cause undesired operation of the device.

Le présent appareil est conforme aux CNR d’Industrie Canada applicables aux appareils radio exempts de licence. L’exploitation est autorisée aux deux conditions suivantes : (1) l’appareil ne doit pas produire de brouillage, et (2) l’utilisateur de l’appareil doit accepter tout brouillage radioélectrique subi, même si le brouillage est susceptible d’en compromettre le fonctionnement.

Wireless notice



This equipment complies with FCC and IC radiation exposure limits set forth for an uncontrolled environment. The antenna should be installed and operated with minimum distance of 20 cm between the radiator and your body. Antenna gain must be below:

Frequency band	Maximum antenna gain
GSM 850/FDD V	1.92
PCS 1900/FDD II	0.51
FDD IV	5.00

This transmitter must not be co-located or operating in conjunction with any other antenna or transmitter.

Cet appareil est conforme aux limites d’exposition aux rayonnements de la IC pour un environnement non contrôlé. L’antenne doit être installé de façon à garder une distance minimale de 20 centimètres entre la source de rayonnements et votre corps. Gain de l’antenne doit être ci-dessous:

Bande de fréquence	Gain de l’antenne maximum
GSM 850/FDD V	1.92
PCS 1900/FDD II	0.51
FDD IV	5.00

L’émetteur ne doit pas être colocalisé ni fonctionner conjointement avec à autre antenne ou autre émetteur.

FCC Class B digital device notice



This equipment has been tested and found to comply with the limits for a Class B digital device, pursuant to part 15 of the FCC Rules. These limits are designed to provide reasonable protection against harmful interference in a residential installation. This equipment generates, uses and can radiate radio frequency energy and, if not installed and used in accordance with the instructions, may cause harmful interference to radio communications. However, there is no guarantee that interference will not occur in a particular installation. If this equipment does cause harmful interference to radio or television reception, which can be determined by turning the equipment off and on, the user is encouraged to try to correct the interference by one or more of the following measures:

- Reorient or relocate the receiving antenna.
- Increase the separation between the equipment and receiver.
- Connect the equipment into an outlet on a circuit different from that to which the receiver is connected.
- Consult the dealer or an experienced radio/TV technician for help..

Labelling Requirements for the Host device



The host device shall be properly labelled to identify the modules within the host device. The certification label of the module shall be clearly visible at all times when installed in the host device, otherwise the host device must be labelled to display the FCC ID and IC of the module, preceded by the words "Contains transmitter module", or the word "Contains", or similar wording expressing the same meaning, as follows:

For OM12030/XY0 (with X and Y as defined in section 5):

Contains FCC ID: R17OM12030-XY0
Contains IC: 5131A-OM12030XY0

L'appareil hôte doit être étiqueté comme il faut pour permettre l'identification des modules qui s'y trouvent. L'étiquette de certification du module donné doit être posée sur l'appareil hôte à un endroit bien en vue en tout temps. En l'absence d'étiquette, l'appareil hôte doit porter une étiquette donnant le FCC ID et le IC du module, précédé des mots « Contient un module d'émission », du mot « Contient » ou d'une formulation similaire exprimant le même sens, comme suit:

Pour OM12030/XY0 (avec X et Y comme définit par la section 5):

*Contains FCC ID: R17OM12030-XY0
Contient IC: 5131A-OM12030XY0.*

CAN ICES-3 (B) / NMB-3 (B)



This Class B digital apparatus complies with Canadian ICES-003.

Cet appareil numérique de classe B est conforme à la norme canadienne NMB-003..

15.2 1999/5/EC Directive regulatory notices

This device has been evaluated against the essential requirements of the 1999/5/EC Directive.

Bulgarian	С настоящето "Telit Communications S.P.A." декларира, че "OM12030/X00" ^(*) отговаря на съществените изисквания и другите приложими изисквания на Директива 1999/5/EC.
Croatian	Ovime "Telit Communications S.P.A.", izjavljuje da je ovaj "OM12030/X00" ^(*) je u skladu s osnovnim zahtjevima i drugim relevantnim odredbama Direktive 1999/5/EC.
Czech	"Telit Communications S.P.A." tímto prohlašuje, že tento "OM12030/X00" ^(*) je ve shodě se základními požadavky a dalšími příslušnými ustanoveními směrnice 1999/5/ES.
Danish	Undertegnede "Telit Communications S.P.A." erklærer herved, at følgende udstyr "OM12030/X00" ^(*) overholder de væsentlige krav og øvrige relevante krav i direktiv 1999/5/EF.
Dutch	Hierbij verklaart "Telit Communications S.P.A." dat het toestel "OM12030/X00" ^(*) in overeenstemming is met de essentiële eisen en de andere relevante bepalingen van richtlijn 1999/5/EG.
English	Hereby, "Telit Communications S.P.A.", declares that this "OM12030/X00" ^(*) is in compliance with the essential requirements and other relevant provisions of Directive 1999/5/EC.
Estonian	Käesolevaga kinnitab "Telit Communications S.P.A." seadme "OM12030/X00" ^(*) vastavust direktiivi 1999/5/EÜ põhinõuetele ja nimetatud direktiivist tulenevatele teistele asjakohastele sätetele.
German	Hiermit erklärt "Telit Communications S.P.A.", dass sich das Gerät "OM12030/X00" ^(*) in Übereinstimmung mit den grundlegenden Anforderungen und den übrigen einschlägigen Bestimmungen der Richtlinie 1999/5/EG befindet.
Greek	ΜΕ ΤΗΝ ΠΑΡΟΥΣΑ "Telit Communications S.P.A." ΔΗΛΩΝΕΙ ΟΤΙ "OM12030/X00" ^(*) ΣΥΜΜΟΡΦΩΝΕΤΑΙ ΠΡΟΣ ΤΙΣ ΟΥΣΙΩΔΕΙΣ ΑΠΑΙΤΗΣΕΙΣ ΚΑΙ ΤΙΣ ΛΟΙΠΕΣ ΣΧΕΤΙΚΕΣ ΔΙΑΤΑΞΕΙΣ ΤΗΣ ΟΔΗΓΙΑΣ 1999/5/ΕΚ.
Hungarian	Alulírott, "Telit Communications S.P.A." nyilatkozom, hogy a "OM12030/X00" ^(*) megfelel a vonatkozó alapvető követelményeknek és az 1999/5/EC irányelv egyéb előírásainak.
Finnish	"Telit Communications S.P.A." vakuuttaa täten että "OM12030/X00" ^(*) tyyppinen laite on direktiivin 1999/5/EY oleellisten vaatimusten ja sitä koskevien direktiivin muiden ehtojen mukainen.
French	Par la présente "Telit Communications S.P.A." déclare que l'appareil "OM12030/X00" ^(*) est conforme aux exigences essentielles et aux autres dispositions pertinentes de la directive 1999/5/CE.
Icelandic	Hér með lýsir "Telit Communications S.P.A." yfir því að "OM12030/X00" ^(*) er í samræmi við grunnkröfur og aðrar kröfur, sem gerðar eru í tilskipun 1999/5/EC
Italian	Con la presente "Telit Communications S.P.A." dichiara che questo "OM12030/X00" ^(*) è conforme ai requisiti essenziali ed alle altre disposizioni pertinenti stabilite dalla direttiva 1999/5/CE.
Latvian	Ar šo "Telit Communications S.P.A." deklarē, ka "OM12030/X00" ^(*) atbilst Direktīvas 1999/5/EK būtiskajām prasībām un citiem ar to saistītajiem noteikumiem.
Lithuanian	Šiuo "Telit Communications S.P.A." deklaruoja, kad šis "OM12030/X00" ^(*) atitinka esminius reikalavimus ir kitas 1999/5/EB Direktyvos nuostatas.
Maltese	Hawnhekk, "Telit Communications S.P.A.", jiddikjara li dan "OM12030/X00" ^(*) jikkonforma mal-htigijiet essenzjali u ma provvedimenti oħrajn relevanti li hemm fid-Direttiva 1999/5/EC.
Norwegian	"Telit Communications S.P.A." erklærer herved at utstyret "OM12030/X00" ^(*) er i samsvar med de grunnleggende krav og øvrige relevante krav i direktiv 1999/5/EF.
Polish	Niniejszym "Telit Communications S.P.A." oświadcza, że "OM12030/X00" ^(*) jest zgodny z zasadniczymi wymogami oraz pozostałymi stosownymi postanowieniami Dyrektywy 1999/5/EC
Portuguese	"Telit Communications S.P.A." declara que este "OM12030/X00" ^(*) está conforme com os requisitos essenciais e outras disposições da Directiva 1999/5/CE.
Slovak	"Telit Communications S.P.A." týmto vyhlasuje, že "OM12030/X00" ^(*) spĺňa základné požiadavky a všetky príslušné ustanovenia Smernice 1999/5/ES.
Slovenian	"Telit Communications S.P.A." izjavlja, da je ta "OM12030/X00" ^(*) v skladu z bistvenimi zahtevami in ostalimi relevantnimi določili direktive 1999/5/ES.
Spanish	Por medio de la presente "Telit Communications S.P.A." declara que "OM12030/X00" ^(*) cumple con los requisitos esenciales y cualesquiera otras disposiciones aplicables o exigibles de la Directiva 1999/5/CE.
Swedish	Härmed intygar "Telit Communications S.P.A." att denna "OM12030/X00" ^(*) står i överensstämmelse med de väsentliga egenskapskrav och övriga relevanta bestämmelser som framgår av direktiv 1999/5/EG.

^(*) Valid for OM12030/000, OM12030/100 and OM12030/200.

In order to satisfy the essential requirements of 1999/5/EC Directive, the product is compliant with the following standards:

RF spectrum use (R&TTE art. 3.2)	EN 301 511 V9.0.2 EN 301 908-1 V5.2.1 EN 301 908-2 V5.2.1 EN 300 440-1 v 1.6.1 EN 300 440-2 v1.4.1 EN 302 291-1 v 1.1.1 ⁽¹⁾ EN 302 291-2 v 1.1.1 ⁽¹⁾
EMC (R&TTE art. 3.1b)	EN 301 489-1 V1.9.2 EN 301 489-3 V1.4.1 EN 301 489-7 V1.3.1 EN 301 489-24 V1.5.1
Health & Safety (R&TTE art. 3.1a)	EN 60950-1:2006 + A11:2009 + A1:2010 + A12:2011 + AC:2011 EN 62311:2008

⁽¹⁾ Only applicable to the product OM12030/1X0 with X as defined in section 5.

The conformity assessment procedure referred to in Article 10 and detailed in Annex IV of Directive 1999/5/EC has been followed with the involvement of the following Notified Body:

AT4 wireless, S.A.
Parque Tecnológico de Andalucía
C/ Severo Ochoa 2
29590 Campanillas – Málaga
SPAIN
Notified Body No: 1909

Thus, the following marking is included in the product:



There is no restriction for the commercialization of this device in all the countries of the European Union.

Final product integrating this module must be assessed against essential requirements of the 1999/5/EC (R&TTE) Directive. It should be noted that assessment does not necessarily lead to testing. Telit Communications S.p.A. recommends carrying out the following assessments:

RF spectrum use (R&TTE art. 3.2)	It will depend on the antenna used on the final product.
EMC (R&TTE art. 3.1b)	Testing
Health & Safety (R&TTE art. 3.1a)	Testing

15.3 Reliability qualification

ATOP is qualified according to AEC-Q100 Grade 3. The qualification is done in accordance with the concept of "Robustness Validation". Reliability tests used are compliant with those as described in AEC-Q100.

The basis for Robustness Validation is the "Mission Profile", reflecting the specific use case of a device (application, location, and environment) and the associated stress factors. The Mission Profile used for ATOP is "Dashboard application" in a car. The qualification strategy, based on the Mission Profile includes so-called extended read points, meaning that the reliability stress tests are not stopped after the required read point needed to determine fit for use, but in some cases are extended up to twice the required read point, in order to determine the reliability margin.

Table 33 presents in more details the tests performed to guarantee module lifetime.

Table 33 Electrical and environmental qualification

Test	Abbreviation	Conditions	Description
Characterization and performance-related test methods			
Electrical characterization	CHAR	$T_{amb} = -40\text{ °C to }+85\text{ °C}$	
Electromagnetic compatibility	EMC	according to IEC 62132-4, IEC 61967-4, LIN EMC test specification	
Operational and environmental test methods			
High temperature operational life (HTOL)	ERF	based on worst case	Stress test accelerating the operational intrinsic lifetime of semiconductor devices. Also in this case operation means that the device is in an application like environment: supply voltage, supply and output current, input signals, output loads. The acceleration is achieved by temperature (normally at maximal junction temperature inside the packaged device), but supply voltage and sometimes current can be used too. Failure modes are typically wear out related: electro migration, gate oxide breakdown, transistor threshold voltage shifting or transistor characteristic degradation due to hot carriers or negative bias instability, mobile ions.
	IFR	applicative case, biased, $T_{ja} = 85\text{ °C}$	
High temperature storage life	HTSL	$T_{amb} = 125\text{ °C}$	Environment stress simulating storage and accelerating intermetallic bonding fracture failures at high temperatures (without supply).
Moisture sensitive level assessment	MSLA	2 reflows	Methodology to determine the moisture sensitivity for Surface Mount Devices (SMD) in relation to PCB assembly by Hot Convection reflow.
Unbiased HAST (Highly Accelerated Steam Test)	UHST	$T_{amb} = 110\text{ °C} / 85\% \text{ RH}$	Preferred unbiased humidity stress test to investigate endurance of the product regarding internal corrosion and leakage formation by transport of ions/water. Typical for standoff without voltage supply.
Temperature humidity test	THB	$T_{amb} = 85\text{ °C} / 85\% \text{ RH} / V \text{ biased}$	Preferred biased humidity stress to investigate endurance of the product regarding internal corrosion and leakage formation by transport of ions/water. Typical for standoff with voltage supply on.

Test	Abbreviation	Conditions	Description
Temperature cycling	TMCL	$T_{amb} = -40\text{ °C to }+105\text{ °C}$	Acceleration test to investigate thermo-mechanical failure modes (like delamination, die lift, wire break, bond ball lift, die crack, pattern shift, and passivation crack) due to both ambient and internal temperature changes during device or application power-up and switching OFF as well as ambient storage.
Vibration	VIBR	ISO 17650, Random RMS 2.78G, $T_{amb} = -40\text{ °C to }+85\text{ °C}$	Test used to determine the ability of the device to withstand repetitive vibration as a result of motion produced by transportation or field operation.
Board level test methods			
Board level temperature cycling	BL-TMCL	$T_{amb} = -40\text{ °C to }+125\text{ °C}$	Acceleration test to investigate thermo-mechanical failure modes (like solder fatigue) at the interconnect between the device and the printed circuit board due to both ambient and internal temperature changes during device and application power-up and switching OFF as well as ambient storage.
System level ESD	ESDS	IEC61000-4-2, ESD gun	

16 Marking

Figure 11 outlines the label information for ATOP 3.5G as template.

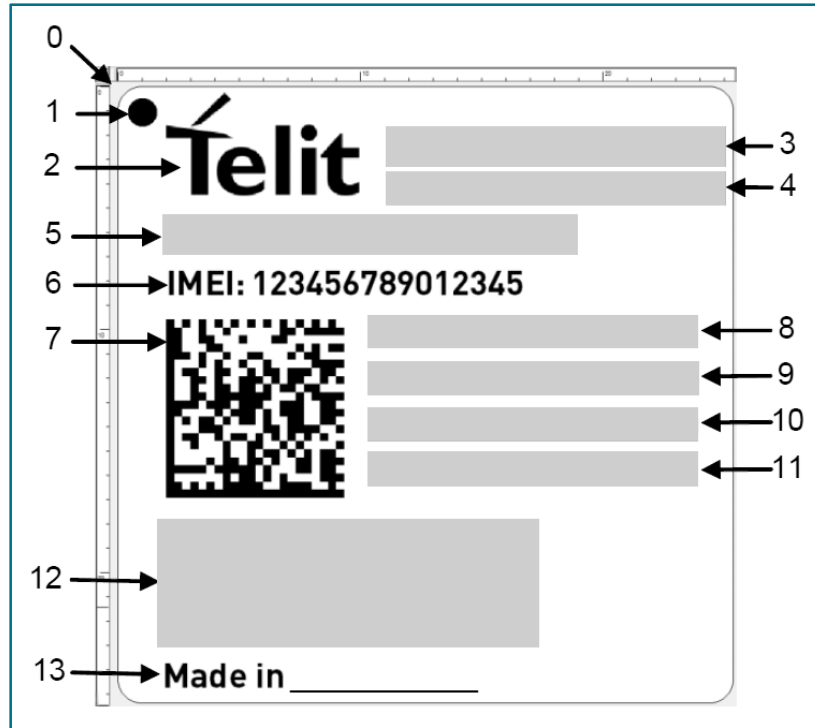


Figure 11 ATOP label informaton

The label contains the following information:

1. Black solid O: pin A1 indicator
2. Telit logo
3. Commercial name
4. (empty by default)
5. Type of sample (marketing, released, ...)
6. IMEI
7. Barcode type 2D matrix: ECC200 of the IMEI, followed a semicolon, and a 42 character string for Telit EMS internal use
8. Model number designator
9. FCC ID
10. IC ID
11. (empty by default)
12. Certification logo(s)
13. Production country

The maximum barcode size is 8x8 +/-0.5mm. The offset between the reference point (0) and barcode upper left corner is x = 1,5mm y = 9.6mm, both values +/- 0.5mm

17 Packing information

ATOP 3.5G modules are packed in trays or as tape & reel. Before packing and shipping, trays and reels are dry baked for 16 hours at 125 °C, according to IPC/JEDEC J-STD-033B.1.

ATOP 3.5G has been tested according to IPC/JEDEC J-STD 020D and is classified as Moisture Sensitivity Level 3 (MSL3).

17.1 Footprint information for reflow soldering

The PCB footprint design is a copy of the metal LGA pattern at the bottom side of the ATOP package.

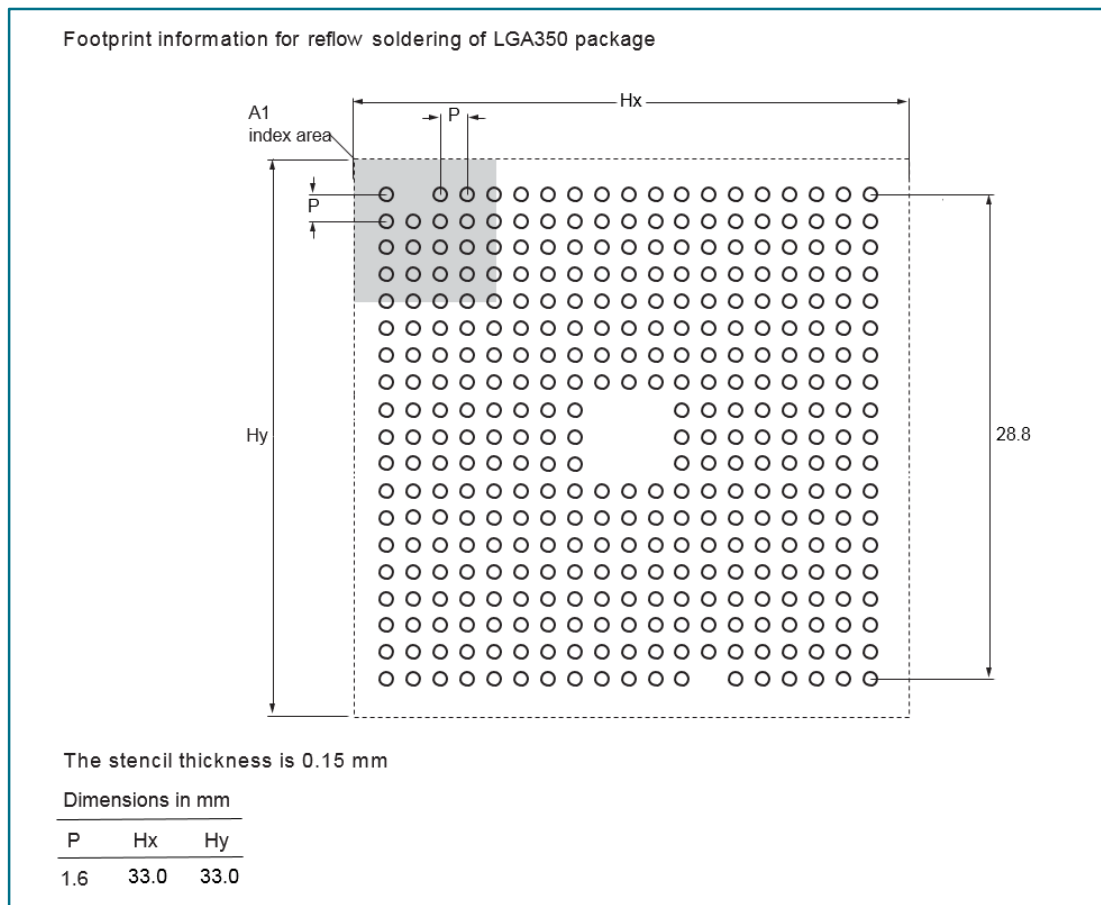


Figure 12 ATOP 3.5G footprint

18 Package outline

ATOP 3.5G is a 33 × 33 × 3.35 mm laminate based module with a metal cover and a Land Grid Array (LGA) at the bottom side of the product. The pad size is 0.8 mm with a 1.6 mm pitch.

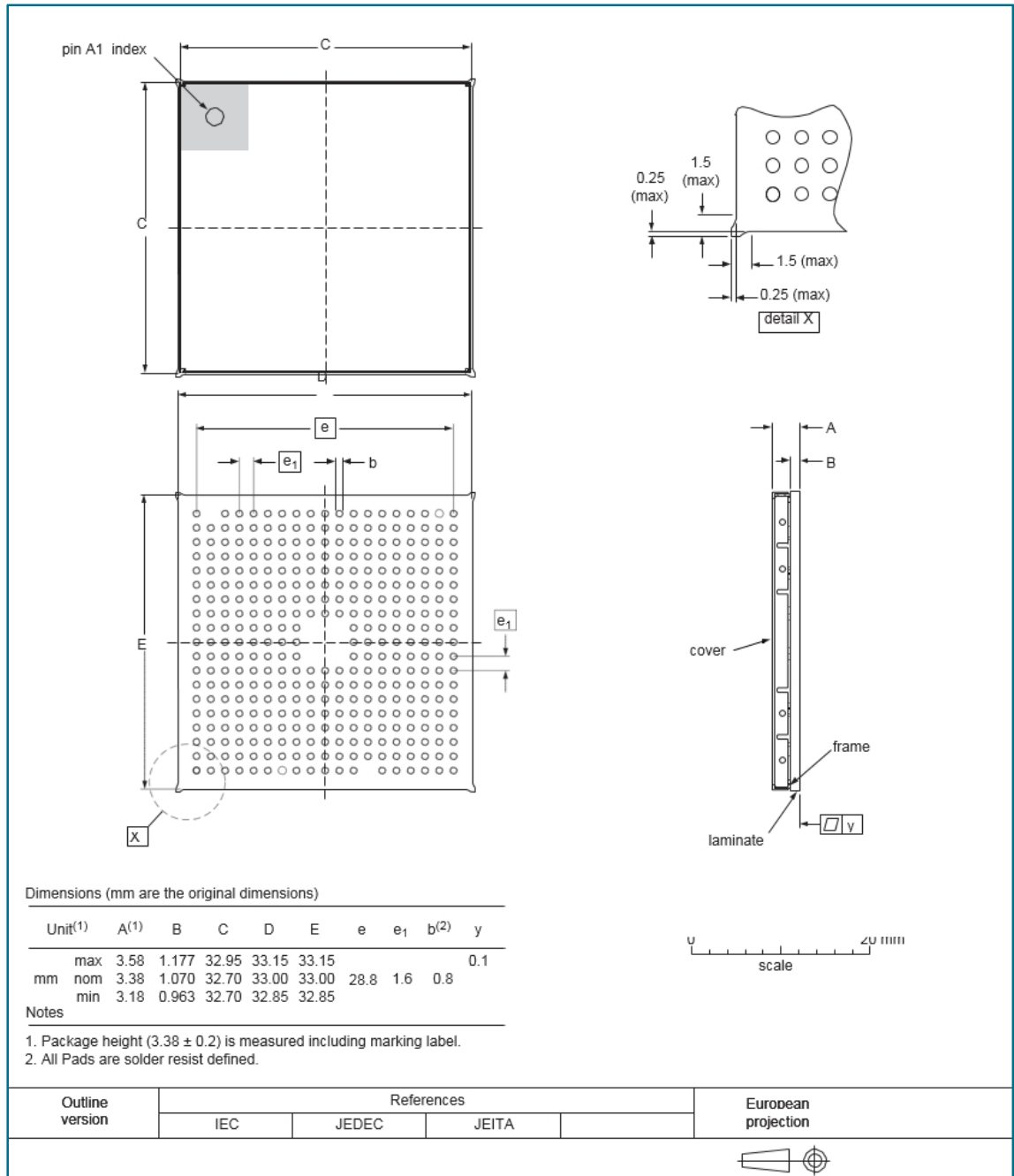


Figure 13 ATOP 3.5G package outline

19 Soldering

The ATOP 3.5G (OM12030) can be assembled using a standard Surface Mount Technology (SMT) reflow process in a convection oven. Figure 14 and Table 34 indicate the maximum and minimum limits of the solder profile. The applied profile has to fit within these limits. This temperature profile is based on the IPC/JEDEC joint industry standard J-STD-020C.

It is recommended to use a standard no-clean SAC solder paste for a lead free assembly process. No cleaning should be applied during or after module soldering process.

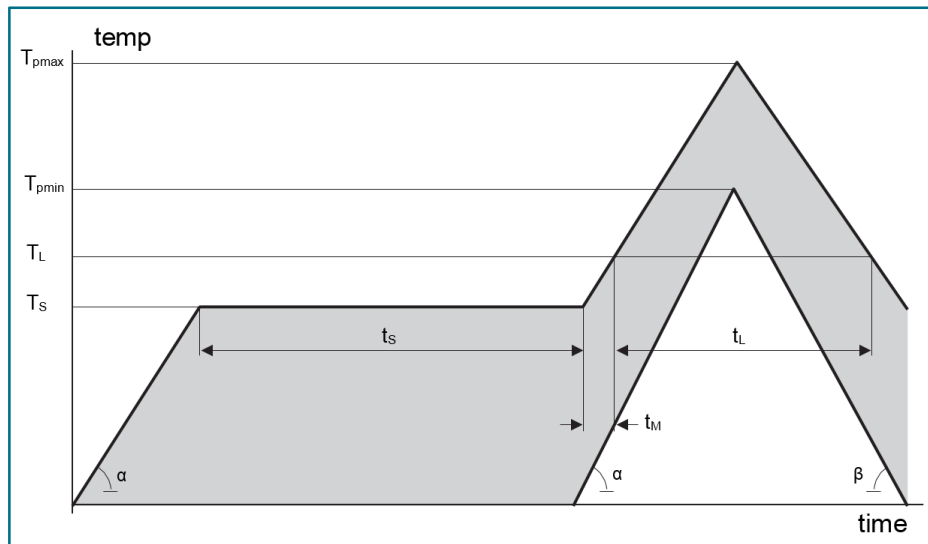


Figure 14 Reflow profile

Table 34 Reflow profile parameters

Reflow condition	Value	Unit
ramp-up rate (α)	≤ 3	$^{\circ}\text{C/s}$
ramp-down rate (β)	≤ 6	$^{\circ}\text{C/s}$
preheat temperature (T_S)	150 to 200	$^{\circ}\text{C}$
preheat time (t_s)	60 to 180	s
time to melting (t_M)	6 to 35	s
time maintained above temperature (T_L)	> 217	$^{\circ}\text{C}$
time maintained above time (t_L)	60 to 150	s
peak/classification temperature minimum (T_{pmin})	235	$^{\circ}\text{C}$
peak/classification temperature maximum (T_{pmax})	250	$^{\circ}\text{C}$
maximum time above $250\text{ }^{\circ}\text{C}$	10	s
maximum time from $25\text{ }^{\circ}\text{C}$ to peak temperature	8	mn

20 Abbreviations

Table 35 Abbreviations

Acronym	Description
1PPS	1 Pulse Per Second
3GPP	Third-Generation Partnership Project
A/D	Analog to Digital interface
ACLR	Adjacent Channel Leakage Ratio (out-of-band power ratio falling in the adjacent channel)
ADC	Analog to Digital Converter
AEC	Automotive Electronics Council
AES	Advanced Encryption Standard
AHR	Advanced High-Performance Bus
APB	Advanced Peripheral Bus
API	Application Programming Interface
ATOP	Automotive Telematics On-board unit Platform
CAN	Controller Area Network
CDC	Connected Device Configuration
CDM ESD	Charged Device Model ESD
CEP50	Circular Error Probable 50%
CLK	Clock
CPU	Central Processing Unit
D/A	Digital to Analog interface
DAC	Digital to Analog Converter
DCS	Digital Cellular System
DDR	Double Data Rate (memory)
DES	Data Encryption Standard
DL	DownLink
DMA	Direct Memory Access
DPA	Differential Power Analysis
DSP	Digital Signal Processor
ECC	Error Correcting Code
EDGE	Enhanced Data Rates for GSM Evolution
EEPROM	Electrically Erasable Programmable Read-Only Memory
EGNOS	European Geostationary Navigation Overlay Service
EJTAG	Extended Joint Test Action Group
EMC	ElectroMagnetic Compatibility
EMV	Eurocard MasterCard Visa
EN	European Norm
ESD	ElectroStatic Discharge
EVM	Error Vector Magnitude

Acronym	Description
FCC	Federal Communication Commission
FDE	Fault Detection and Exclusion
FIFO	First In First Out
FOTA	Firmware upgrade Over The Air
GCF	Global Certification Forum
GLONASS	GLObalnaïa NAvigatsionnaïa Spoutnikovaïa Sistéma
GND	GrounND
GNSS	Global Navigation Satellite System
GP	General Purpose
GPDMA	General Purpise Direct Memory Access
GPIO	General-Purpose Input Output
GPRS	General Packet Radio Service
GSM	Global System Mobile
GPS	Global Positioning System
HBM ESD	Human Body Model ESD
HMM ESD	Human Metal Model ESD
HR/FR/EFR/AMR	Half Rate / Full Rate / Enhanced Full Rate / Adaptive Multi-Rate vocoder
HS CAN	High-Speed Controller Area Network
HSDPA	High-Speed Downlink Packet Access
HSUPA	High-Speed Uplink Packet Access
HW	HardWare
I2C	Inter-Integrated Cicuit
I2S	Inter-IC Sound
ID	Identification
IF	Intermediate Frequency
IMEI	International Mobile Equipment Identity
IO	Input Output
IRC	Internal RC
IrDA	Infrared Data Association
IRQ	Interrupt ReQuest
ISO	International Organization for Standardization
J2ME	Java 2 Micro Edition
J2SE	Java 2 Standard Edition
J9 VM	Java Virtual Machine
JCOP	Java Card Open Platform
JEDEC	Joint Electron Device Engineering Council
JTAG	Joint Test Action Group
LBS	Location Based Services
LGA	Land Grid Array
LDO	Low DropOut

Acronym	Description
LNA	Low Noise Amplifier
LPDDR	Low Power DDR (memory)
MAC	Media Access Control
MCE	Master Controller Element
MCU	MicroController Unit
MIDP	Mobile Information Device Profile
MIIM	Media Independent Interface Management
MSAS	MTSAT Satellite-based Augmentation System
NGC	Near Field Communication
NIMH	Nickel Metal Hydride
NV item	Non Volatile (data) item
NVIC	Nested Vectored Interrupt Controller
OBU	On-Board Unit
OHCI	Open Host Controller Interface
OS	Operating System
OTG	On The Go
OTP	One Time Programmable
PA	Power Amplifier
PCB	Printed-Circuit Board
PCM	Pulse Code Modulation
PCS	Personal Communication Service
PHY	PHYSical layer
PKI	Public Key Infrastructure
PLL	Phase-Locked Loop
PMU	Power Management Unit
PPS	Pulse Per Second
PTCRB	PCS Type Certification Review Board
PWM	Pulse Width Modulation
R&TTE	Radio and Telecommunication Terminal Equipment
RAIM	Receiver Autonomous Integrity Monitoring
RAM	Random Access Memory
RF	Radio Frequency
RFU	Reserved for Future Use
RMII	Reduced Media Independent Interface
RMS	Root Mean Square
ROM	Read-Only Memory
RSA	A public-key encryption technology developed by RSA Data Security, Inc. The acronym stands for Rivest, Shamir and Adelman, the inventors of the technique
RTC	Real-Time Clock
RTOS	Real-Time Operating System

Acronym	Description
SAW	Surface Acoustic Wave
SBAS	Satellite Based Augmentation System
SDIO	Secure Digital Input Output
SIM	Subscriber Identification Module
SMD	Surface Mounted Device
SMS	Short Message Service
SNR	Signal to Noise Ratio
SPA	Simple Power Analysis
SPI	Serial Peripheral Interface
SRAM	Static Random Access Memory
SSP	Synchronous Serial Port
TCXO	Temperature Controlled Crystal Oscillator
THD	Total Harmonic Distortion
TTF	Time To First Fix
TTL	Transistor-Transistor Logic
TTSC	Telit Technical Support Center
UART	Universal Asynchronous Receiver Transmitter
UL	UpLink
UMTS	Universal Mobile Telecommunications Service
USB	Universal Serial Bus
USIM	Universal Subscriber Identity Module
VM	Virtual Machine
VSWR	Voltage Standing Wave Ratio
WAAS	Wide Area Augmentation System
W-AMR	Wide band - Adaptive Multi-Rate
WIC	Wake-up Interrupt Controller

21 References

- [1] ZVEI - Zentralverband Elektrotechnik- und Elektronikindustrie e.V. — <http://www.zvei.org/Verband/Publikationen/Seiten/default.aspx?k=robustness%u020validation>
- [2] LPC1768 data sheet — http://www.nxp.com/documents/data_sheet/LPC1769_68_67_66_65_64_63.pdf
- [3] LPC1768 user manual — http://www.nxp.com/documents/user_manual/UM10360.pdf
- [4] LPC1768 errata sheet — http://www.nxp.com/documents/errata_sheet/ES_LPC176X.pdf
- [5] LPC1768 web page — http://www.nxp.com/products/microcontrollers/cortex_m3/lpc1700/LPC1768FET100html#overview
- [6] AN1445 Antenna design guide for MFRC52x, PN51x, PN53x AN1444 RF Design Guideplus Excel Calculation — http://www.nxp.com/documents/application_note/AN1445_An1444.zip
- [7] AN1425 RF Amplifier for NFC Reader IC's AN166510 Amplifier antenna matching calculation (Excel) — http://www.nxp.com/documents/application_note/AN1425_AN166510.zip
- [8] Global Certification Forum — <http://www.globalcertificationforum.org>
- [9] R&TTE Radio and Telecommunications Terminal Equipment — <http://ec.europa.eu/enterprise/policies/european-standards/harmonised-standards/rtte/>
- [10] PCS Type Certification Review Board — <http://www.ptcrb.org>
- [11] Third-Generation Partnership Project — <http://www.3gpp.org>
- [12] Applicable ATOP 3.5G software documentation.

22 Legal information

22.1 Definitions

Draft — The document is a draft version only. The content is still under internal review and subject to formal approval, which may result in modifications or additions. Telit does not give any representations or warranties as to the accuracy or completeness of information included herein and shall have no liability for the consequences of use of such information.

Short data sheet — A short data sheet is an extract from a full data sheet with the same product type number(s) and title. A short data sheet is intended for quick reference only and should not be relied upon to contain detailed and full information. For detailed and full information see the relevant full data sheet, which is available on request via the local Telit sales office. In case of any inconsistency or conflict with the short data sheet, the full data sheet shall prevail.

Product specification — The information and data provided in a Product data sheet shall define the specification of the product as agreed between Telit and its customer, unless Telit and customer have explicitly agreed otherwise in writing. In no event however, shall an agreement be valid in which Telit's product is deemed to offer functions and qualities beyond those described in the Product data sheet.

22.2 Disclaimers

Limited warranty and liability — Information in this document is believed to be accurate and reliable. However, Telit does not give any representations or warranties, expressed or implied, as to the accuracy or completeness of such information and shall have no liability for the consequences of use of such information. Telit takes no responsibility for the content in this document if provided by an information source outside of Telit.

In no event shall Telit be liable for any indirect, incidental, punitive, special or consequential damages (including - without limitation - lost profits, lost savings, business interruption, costs related to the removal or replacement of any products or rework charges) whether or not such damages are based on tort (including negligence), warranty, breach of contract or any other legal theory.

Notwithstanding any damages that customer might incur for any reason whatsoever, Telit' aggregate and cumulative liability towards customer for the products described herein shall be limited in accordance with the *Terms and conditions of commercial sale* of Telit.

Right to make changes — Telit reserves the right to make changes to information published in this document, including without limitation specifications and product descriptions, at any time and without notice. This document supersedes and replaces all information supplied prior to the publication hereof.

Applications — Applications that are described herein for any of these products are for illustrative purposes only. Telit makes no representation or warranty that such applications will be suitable for the specified use without further testing or modification.

Customers are responsible for the design and operation of their applications and products using Telit products, and Telit accepts no liability for any assistance with applications or customer product design. It is customer's sole responsibility to determine whether Telit's product is suitable and fit for the customer's applications and products planned, as well as for the planned application and use of customer's third party customer(s). Customers should provide appropriate design and operating safeguards to minimize the risks associated with their applications and products.

Telit does not accept any liability related to any default, damage, costs or problem which is based on any weakness or default in the customer's applications or products, or the application or use by customer's third party customer(s). Customer is responsible for doing all necessary testing for the customer's applications and products using Telit products in order to avoid a default of the applications and the products or of the application or use by customer's third party customer(s). Telit does not accept any liability in this respect.

Limiting values — Stress above one or more limiting values (as defined in the Absolute Maximum Ratings System of IEC 60134) will cause permanent damage to the device. Limiting values are stress ratings only and (proper) operation of the device at these or any other conditions above those given in the Recommended operating conditions section (if present) or the Characteristics sections of this document is not warranted. Constant or repeated exposure to limiting values will permanently and irreversibly affect the quality and reliability of the device.

Terms and conditions of commercial sale — Telit products are sold subject to the general terms and conditions of commercial sale, as published at <http://www.telit.com/profile/terms>, unless otherwise agreed in a valid written individual agreement. In case an individual agreement is concluded only the terms and conditions of the respective agreement shall apply. Telit hereby expressly objects to applying the customer's general terms and conditions with regard to the purchase of Telit products by customer.

No offer to sell or license — Nothing in this document may be interpreted or construed as an offer to sell products that is open for acceptance or the grant, conveyance or implication of any license under any copyrights, patents or other industrial or intellectual property rights.

Export control — This document as well as the item(s) described herein may be subject to export control regulations. Export might require a prior authorization from competent authorities.

ATOP product — Any offer of Telit's ATOP to customers ("CUSTOMER") is subject to the following conditions:

CUSTOMER recognizes that since the parts were not originally designed for automotive use, it will not be possible to achieve the levels of quality and failure analysis that are normally associated with parts explicitly designed for automotive use.

CUSTOMER further recognizes that Telit is not obligated to qualify the ATOP Product to the AEC-Q100 automotive quality standard or indeed to any other such existing or future automotive industry standards. Note that the AEC-Q100 applies to Integrated Circuits and was not designed for modules such as ATOP.

Subject to the foregoing, in the event that CUSTOMER designs-in and uses the ATOP OM120xx beyond Telit' then existing ATOP OM120xx Product specification (latest version of the ATOP OM120xx Datasheet), CUSTOMER understands and agrees:

- (a) that CUSTOMER shall use ATOP OM120xx Product without Telit's warranty;
- (b) that such use shall be solely at the CUSTOMER's own risk;
- (c) to fully indemnify Telit for any liability, damages or failed ATOP OM120xx Product claims resulting from such use.

Translations — A non-English (translated) version of a document is for reference only. The English version shall prevail in case of any discrepancy between the translated and English versions.

22.3 Licenses

Modules with GSM or 3G functionality

Purchase of a Telit module with GSM functionality does not convey an implied license under any patent right on the GSM or 3G Standard. A license for the portfolio of GSM and 3G patents of Koninklijke Philips Electronics N.V. needs to be obtained via Philips Intellectual Property and Standards (www.ip.philips.com), e-mail: info.licensing@philips.com

Modules with DPA Countermeasures functionality



TELIT Modules containing functionality implementing countermeasures to Differential Power Analysis and Simple Power Analysis are produced and sold under applicable license from Cryptography Research, Inc.

Telit Modules with ISO/IEC 14443 type B functionality



RATP/Innovation
Technology

This Telit module is ISO/IEC 14443 Type B software enabled and is licensed under Innovatron's Contactless Card patents license for ISO/IEC 14443 B.

The license includes the right to use the module in systems and/or end-user equipment.

Modules with NFC functionality

Purchase of a Telit module that complies with one of the Near Field Communication (NFC) standards ISO/IEC 18092 and ISO/IEC 21481 does not convey an implied license under any patent right infringed by implementation of any of those standards

22.4 Trademarks

All referenced brands, product names, service names and trademarks are the property of their respective owners.

I2C-bus — logo is a trademark of NXP B.V.

MIFARE — is a trademark of NXP B.V.

SmartMX — is a trademark of NXP B.V.

23 Contact information

For general contact, technical support, to report documentation errors and to order manuals, contact Telit Technical Support Center (TTSC) at:

TS-Automotive@telit.com

TS-EMEA@telit.com

TS-NORTHAMERICA@telit.com

TS-LATINAMERICA@telit.com

TS-APAC@telit.com

Alternatively, use:

<http://www.telit.com/en/products/technical-support-center/contact.php>

For detailed information about where you can buy the Telit modules or for recommendations on accessories and components visit:

<http://www.telit.com>

To register for product news and announcements or for product questions contact Telit Technical Support Center (TTSC). Our aim is to make this guide as helpful as possible. Keep us informed of your comments and suggestions for improvements.

Telit appreciates feedback from the users of our information.

24 Tables

Table 1	Type names.....	8
Table 2	ATOP 3.5G pinning list.....	10
Table 3	Internal microcontroller pins, controlled by TELIT-provided libraries.....	17
Table 4	Sensitivity.....	25
Table 5	Power supply.....	32
Table 6	Microcontroller pins.....	32
Table 7	Cellular baseband digital interfaces.....	32
Table 8	Cellular antennas.....	33
Table 9	GPS passive antenna input.....	33
Table 10	GPS active antenna input and antenna bias.....	33
Table 11	Recommended operating conditions.....	34
Table 12	Characteristics for microcontroller pins.....	35
Table 13	Characteristic for baseband digital interface.....	35
Table 14	VDD_3V0_SRC current source.....	36
Table 15	VSIM_SRC current source.....	36
Table 16	VIO_REF voltage reference.....	37
Table 17	VADC_REF voltage reference.....	37
Table 18	1PPS.....	37
Table 19	BB_EXT_CLK.....	37
Table 20	Microcontroller clock.....	38
Table 21	Internal Real-Time Clock.....	38
Table 22	Battery charging.....	39
Table 23	Utility processor power consumption.....	40
Table 24	Application processor power consumption.....	40
Table 25	Security processor power consumption.....	40
Table 26	NFC coprocessor power consumption.....	40
Table 27	Communication processor power consumption.....	41
Table 28	Operating frequencies.....	42
Table 29	Receiver sensitivity in GSM.....	43
Table 30	Receiver sensitivity in UMTS.....	43
Table 31	Transmit GSM output power.....	44
Table 32	Transmit UMTS maximum RMS power.....	44
Table 33	Electrical and environmental qualification.....	50
Table 34	Reflow profile parameters.....	55
Table 35	Abbreviations.....	56
Table 36	Revision history.....	66

25 Figures

Figure 1	ATOP 3.5G module connections	6
Figure 2	ATOP conceptual view.....	7
Figure 3	ATOP 3.5G internal connections	9
Figure 4	ATOP 3.5G pin configuration.....	10
Figure 5	LPC1768 block diagram.....	20
Figure 6	LPC1768 clock generation	22
Figure 7	ATOP 3.5G battery charging	29
Figure 8	ATOP 3.5G VDD_3V0_SRC current source.....	30
Figure 9	ATOP 3.5G internal setup of NFC antenna	31
Figure 10	32KHz deviation in ppm dependng on temperature	38
Figure 11	ATOP label informaton.....	52
Figure 12	ATOP 3.5G footprint	53
Figure 13	ATOP 3.5G package outline.....	54
Figure 14	Reflow profile.....	55

26 Contents

1	Introduction.....	5	9.3	RTC	30
2	General description.....	6	9.4	ESD protection.....	30
3	Features and benefits	7	9.5	NFC antenna design	30
4	Applications	8	9.6	Antenna placement	31
5	Ordering information	8	9.7	Electrical safety.....	31
6	Block diagram.....	9	9.8	Software package.....	31
7	Pinning information	10	10	Limiting values	32
7.1	Pinning	10	11	Recommended operating conditions	34
7.2	Pin description	10	12	Thermal characteristics.....	34
7.2.1	Module pinning list.....	10	12.1	Internal temperature sensor.....	34
7.2.2	Internal pins list.....	17	12.2	Battery charging.....	34
8	Functional description	18	13	Static characteristics	35
8.1	Utility Processor	18	13.1	Pins.....	35
8.1.1	General features.....	18	13.2	Current sources.....	36
8.1.2	Utility Processor block diagram.....	20	13.3	Voltage references	37
8.1.3	Ethernet	21	13.4	Clocks.....	37
8.1.4	USB	21	13.5	Battery charging.....	39
8.1.5	CAN	21	14	Dynamic characteristics	40
8.1.6	Power-saving modes.....	22	14.1	Power consumption.....	40
8.1.7	RTC	24	14.2	Cellular RF parameters	42
8.2	Application processor	24	15	Test and qualification information	45
8.3	Position processing	25	15.1	FCC and IC Cautions	46
8.3.1	Key features.....	25	15.2	1999/5/EC Directive regulatory notices.....	48
8.3.2	Sensitivity.....	25	15.3	Reliability qualification	50
8.4	UMTS/EDGE/GSM/GPRS coprocessor	26	16	Marking.....	52
8.5	Near Field Communication coprocessor	26	17	Packing information.....	53
8.6	Smartcard and JCOP operating system.....	27	17.1	Footprint information for reflow soldering ...	53
8.7	Debugging versus software security	27	18	Package outline	54
8.8	Firmware update Over The Air (FOTA).....	28	19	Soldering	55
8.9	Battery and power management.....	28	20	Abbreviations	56
8.10	OTP content.....	28	21	References	60
9	Application design-in information.....	29	22	Legal information	61
9.1	Battery charging.....	29	22.1	Definitions	61
9.2	Current source	30	22.2	Disclaimers	61
			22.3	Licenses.....	62
			22.4	Trademarks.....	62
			23	Contact information	62
			24	Tables.....	63
			25	Figures	64
			26	Contents	65
			27	Revision history.....	66

27 Revision history

Table 36 Revision history

Revision	Date	Changes
10	20150303	Final maximum antenna gain calculation results added.
9	20150225	Removed 3 non-existing pins from pin configuration figure in Section 7.1 Corrected audio pin descriptions in Table 2 Added statement about active GNSS antenna sensitivity Corrected erroneous maximum supply charger voltage; VSIM_SRC output current for full power mode; 1PPS signal jitter information. Removed RF performance tables not helpful for application designers and added oreviously missing GSM/GPRS output power table Refined module height information to match measured values form production in Figure 13 Updated OTP content description and label information Final FCC/IC and EC cautions.
8	20141008	Editorial corrections and update of missing characterization values.
7	20140928	Editorial corrections.
6	20140921	Review of all characterization values. Major clean up of the formatting.
5	20140917	Corrected more known issues pending since the last pre-Telit version and filled out most characterization values.
4	20140727	Corrected most known issues pending since the last pre-Telit version
3	20140703	Recomposed for Telit. style only. No content updated

Document ID	Date	Data sheet status	Changes
OM12030 v2	-	NXP Objective data sheet	(Never released)
OM12030 v1	20131010	NXP Objective data sheet	-
OM12030 v0.x	multiple	NXP Objective data sheet drafts	-

Please be aware that important notices concerning this document and the product(s) described herein, have been included in section 'Legal information'.

© TEIT S.p.A. 2015. All rights reserved.

For more information, please visit: <http://www.Telit.com>
For sales office addresses, please send an email to cs-automotive@Telit.com

Date of release: dd.mmmm.2014

Document identifier: OM12030