

APPLICABILITY TABLE

PRODUCT
GE910-GNSS
GE910-QUAD
GE910-QUAD V3



7.4.9.	Powering the External LNA (active antenna).....	46
7.4.10.	External LNA Enable.....	47
8.	Logic Level Specifications	48
9.	USB Port	49
9.1.	USB 2.0 FS	49
10.	Serial Ports	50
10.1.	Modem Serial Port	50
10.2.	RS232 level translation	52
11.	Audio Section Overview	54
11.1.	Digital Voice Interface (DVI)	54
11.1.1.	DVI Electrical Connections.....	54
11.2.	Analog Front-End.....	54
11.2.1.	MIC connection	54
11.2.2.	LINE-IN connection.....	56
11.2.3.	EAR connection	57
11.2.4.	Electrical Characteristics.....	59
12.	General Purpose I/O.....	61
12.1.	Using a GPIO Pad as INPUT	62
12.2.	Using a GPIO Pad as OUTPUT	62
12.3.	Indication of network service availability	63
12.4.	RTC Bypass out	64
12.5.	External SIM Holder Implementation	64
12.6.	ADC Converter	64
12.6.1.	Description	64
12.6.2.	Using ADC Converter	64
13.	Mounting the GE910 on your Board.....	65
13.1.	General.....	65
13.2.	Module finishing & dimensions	65
13.3.	Recommended foot print for the application.....	66
13.4.	Stencil.....	67
13.5.	PCB pad design	67
13.6.	Recommendations for PCB pad dimensions	67
13.7.	Solder paste	69
13.7.1.	GE910 Solder reflow.....	69
14.	Packing system.....	71
14.1.	Packing on Reel.....	71
14.1.1.	Carrier Tape Detail.....	71
14.1.2.	Reel Detail.....	72
14.1.3.	Packaging Detail.....	73
14.2.	Packing on tray.....	74
14.3.	Moisture sensibility	76
15.	Conformity Assessment Issues.....	77
16.	SAFETY RECOMMANDATIONS.....	82
17.	Document History	83



1. Introduction

1.1. Scope

The aim of this document is the description of some hardware solutions useful for developing a product with the Telit GE910 module.

1.2. Audience

This document is intended for Telit customers, who are integrators, about to implement their applications using our GE910 modules.

1.3. Contact Information, Support

For general contact, technical support, to report documentation errors and to order manuals, contact Telit's Technical Support Centre (TTSC) at:

TS-EMEA@telit.com
TS-NORTHAMERICA@telit.com
TS-LATINAMERICA@telit.com
TS-APAC@telit.com

Alternatively, use:

<http://www.telit.com/en/products/technical-support-center/contact.php>

For detailed information about where you can buy the Telit modules or for recommendations on accessories and components visit:

<http://www.telit.com>

To register for product news and announcements or for product questions contact Telit's Technical Support Centre (TTSC).

Our aim is to make this guide as helpful as possible. Keep us informed of your comments and suggestions for improvements.

Telit appreciates feedback from the users of our information.



1.5. Text Conventions



Danger – This information MUST be followed or catastrophic equipment failure or bodily injury may occur.



Caution or Warning – Alerts the user to important points about integrating the module, if these points are not followed, the module and end user equipment may fail or malfunction.



Tip or Information – Provides advice and suggestions that may be useful when integrating the module.

All dates are in ISO 8601 format, i.e. YYYY-MM-DD.

1.6. Related Documents

- Telit 's GSM/GPRS Family Software User Guide, 1vv0300784
- Audio settings application note , 80000NT10007a
- Digital Voice Interface Application Note, 80000NT10004a
- GE910 Product description, 80397ST10107A
- SIM Holder Design Guides, 80000NT10001a
- AT Commands Reference Guide, 80000ST10025a
- Telit EVK2 User Guide, 1vv0300704



2. Overview

The aim of this document is the description of some hardware solutions useful for developing a product with the Telit GE910 module.

In this document all the basic functions of a mobile phone will be taken into account; for each one of them a proper hardware solution will be suggested and eventually the wrong solutions and common errors to be avoided will be evidenced. Obviously this document cannot embrace the whole hardware solutions and products that may be designed. The wrong solutions to be avoided shall be considered as mandatory, while the suggested hardware configurations shall not be considered mandatory, instead the information given shall be used as a guide and a starting point for properly developing your product with the Telit GE910 module. For further hardware details that may not be explained in this document refer to the Telit GE910 Product Description document where all the hardware information is reported.



NOTICE:

(The integration of the GSM/GPRS **GE910** cellular module within user application shall be done according to the design rules described in this manual.)

The information presented in this document is believed to be accurate and reliable. However, no responsibility is assumed by Telit Communications S.p.A. for its use, nor any infringement of patents or other rights of third parties which may result from its use. No license is granted by implication or otherwise under any patent rights of Telit Communications S.p.A. other than for circuitry embodied in Telit products. This document is subject to change without notice.



3. GE910 module connections

3.1. PIN-OUT

PAD	Signal	I/O	Function	Type	COMMENT
USB 2.0 COMMUNICATION PORT					
B15	USB_D+	I/O	USB differential Data (+)	3.3V	Reserved on GE910-QUAD V3
C15	USB_D-	I/O	USB differential Data (-)	3.3V	Reserved on GE910-QUAD V3
A13	VUSB	AI	Power sense for USB presence	5V	Accepted range 1.8V to 5V Reserved on GE910-QUAD V3
Asynchronous UART1 – Program / Data + HW Flow Control					
N15	C103/TXD	I	Serial data input from DTE	CMOS 1.8V	UART1
M15	C104/RXD	O	Serial data output to DTE	CMOS 1.8V	UART1
M14	C108/DTR	I	Input for (DTR) from DTE	CMOS 1.8V	
L14	C105/RTS	I	Input for Request to send signal (RTS) from DTE	CMOS 1.8V	
P15	C106/CTS	O	Output for Clear to Send signal (CTS) to DTE	CMOS 1.8V	
N14	C109/DCD	O	Output for (DCD) to DTE	CMOS 1.8V	
P14	C107/DSR	O	Output for (DSR) to DTE	CMOS 1.8V	
R14	C125/RING	O	Output for Ring (RI) to DTE	CMOS 1.8V	
Asynchronous Auxiliary UART2					
D15	TX_AUX	O	Auxiliary UART (TX Data to DTE)	CMOS 1.8V	UART2
E15	RX_AUX	I	Auxiliary UART (RX Data from DTE)	CMOS 1.8V	UART2
SIM card interface					
A6	SIMCLK	O	External SIM signal – Clock	1.8 / 3V	
A7	SIMRST	O	External SIM signal – Reset	1.8 / 3V	
A5	SIMIO	I/O	External SIM signal – Data I/O	1.8 / 3V	
A4	SIMIN	I	External SIM signal – Presence (active low)	CMOS 1.8	
A3	SIMVCC	-	External SIM signal – Power supply for the SIM	1.8 / 3V	
Analog Voice Interface					
B2	EAR+	AO	Ear signal output, phase +		
B3	EAR-	AO	Ear signal output, phase -		
B4	MIC+	AI	Microphone signal input; phase +		
B5	MIC-	AI	Microphone signal input; phase -		
Digital Voice Interface (DVI)					
B9	DVI_WA0	I/O	Digital Audio Interface (WA0)	CMOS 1.8V	
B6	DVI_RX	I/O	Digital Audio Interface (RX)	CMOS 1.8V	
B7	DVI_TX	I/O	Digital Audio Interface (TX)	CMOS 1.8V	
B8	DVI_CLK	I/O	Digital Audio Interface (CLK)	CMOS 1.8V	
ADC					
B1	ADC_IN1	AI	Analog to Digital converter input	A/D	Values 0 to 1.3V 0 to 1.2V on GE910-QUAD V3
DIGITAL IO					



C8	GPIO_01	I/O	GPIO_01 / STAT_LED	CMOS 1.8V	Alternate Function STATUS LED
C9	GPIO_02	I/O	GPIO_02	CMOS 1.8V	
C10	GPIO_03	I/O	GPIO_03	CMOS 1.8V	
C11	GPIO_04	I/O	GPIO_04	CMOS 1.8V	
B14	GPIO_05	I/O	GPIO_05 / RFTXMON	CMOS 1.8V	Alternate Function RFTXMON
C12	GPIO_06	I/O	GPIO_06	CMOS 1.8V	
C13	GPIO_07	I/O	GPIO_07	CMOS 1.8V	
K15	GPIO_08	I/O	GPIO_08	CMOS 1.8V	
L15	GPIO_09	I/O	GPIO_09	CMOS 1.8V	
G15	GPIO_10	I/O	GPIO_10	CMOS 1.8V	
RF SECTION GSM					
K1	ANTENNA GSM	-	GSM/GPRS Antenna (50 ohm)	RF	
GNSS SECTION					
R9	ANTENNA GNSS	-	GNSS Antenna (50 ohm)	RF	Reserved on GE910-QUAD V3
G14	GNSS_EN*	I	External GNSS ON-OFF	VBATT ref.	Open Collector active low Reserved on GE910-QUAD V3
J14	GNSS_NMEA_TX	O	UART NMEA Output	1.8V	UART3 or GNSS_BOOT Reserved on GE910-QUAD V3
K14	GNSS_NMEA_RX	I	UART NMEA Input	1.8V	UART3 Reserved on GE910-QUAD V3
R7	GNSS_LNA_EN	O	GNSS External LNA Enable	1.8V	Active Antenna Control Reserved on GE910-QUAD V3
MISCELLANEOUS FUNCTIONS					
R13	HW_SHUTDOWN*	I	HW Unconditional Shutdown	VBATT ref.	Open Collector active low
R12	ON_OFF*	I	Input command for power ON	VRTC 2,3V ref.	Open Collector active low
C14	VRTC	I	VRTC Backup capacitor	RTC Power	Backup for the embedded RTC supply, don't connect to VBATT!
R11	VAUX/PWRMON	O	Supply Output for external accessories / Power ON Monitor	1.8V	
POWER SUPPLY					
M1	VBATT	-	Main power supply (Baseband)	Power	
M2	VBATT	-	Main power supply (Baseband)	Power	
N1	VBATT_PA	-	Main power supply (Radio PA)	Power	
N2	VBATT_PA	-	Main power supply (Radio PA)	Power	
P1	VBATT_PA	-	Main power supply (Radio PA)	Power	
P2	VBATT_PA	-	Main power supply (Radio PA)	Power	
E1	GND	-	Ground	Power	
G1	GND	-	Ground	Power	
H1	GND	-	Ground	Power	
J1	GND	-	Ground	Power	
L1	GND	-	Ground	Power	
A2	GND	-	Ground	Power	
E2	GND	-	Ground	Power	
F2	GND	-	Ground	Power	
G2	GND	-	Ground	Power	



H2	GND	-	Ground	Power	
J2	GND	-	Ground	Power	
K2	GND	-	Ground	Power	
L2	GND	-	Ground	Power	
R2	GND	-	Ground	Power	
M3	GND	-	Ground	Power	
N3	GND	-	Ground	Power	
P3	GND	-	Ground	Power	
R3	GND	-	Ground	Power	
M4	GND	-	Ground	Power	
N4	GND	-	Ground	Power	
P4	GND	-	Ground	Power	
R4	GND	-	Ground	Power	
N5	GND	-	Ground	Power	
P5	GND	-	Ground	Power	
R5	GND	-	Ground	Power	
N6	GND	-	Ground	Power	
P6	GND	-	Ground	Power	
R6	GND	-	Ground	Power	
P8	GND	-	Ground	Power	
R8	GND	-	Ground	Power	
P9	GND	-	Ground	Power	
P10	GND	-	Ground	Power	
R10	GND	-	Ground	Power	
M12	GND	-	Ground	Power	
B13	GND	-	Ground	Power	
P13	GND	-	Ground	Power	
E14	GND	-	Ground	Power	
RESERVED					
C1	RESERVED	-	RESERVED		
P7	RESERVED	-	RESERVED		
D1	RESERVED	-	RESERVED		
C2	RESERVED	-	RESERVED		
D2	RESERVED	-	RESERVED		
C3	RESERVED	-	RESERVED		
D3	RESERVED	-	RESERVED		
E3	RESERVED	-	RESERVED		
F3	RESERVED	-	RESERVED		
G3	RESERVED	-	RESERVED		
H3	RESERVED	-	RESERVED		
J3	RESERVED	-	RESERVED		
K3	RESERVED	-	RESERVED		



L3	RESERVED	-	RESERVED		
C4	RESERVED	-	RESERVED		
C5	RESERVED	-	RESERVED		
C6	RESERVED	-	RESERVED		
C7	RESERVED	-	RESERVED		
N7	RESERVED	-	RESERVED		
N8	RESERVED	-	RESERVED		
N9	RESERVED	-	RESERVED		
A10	RESERVED	-	RESERVED		
N10	RESERVED	-	RESERVED		
N11	RESERVED	-	RESERVED		
B12	RESERVED	-	RESERVED		
D12	RESERVED	-	RESERVED		
N12	RESERVED	-	RESERVED		
P12	RESERVED	-	RESERVED		
F14	RESERVED	-	RESERVED		
H14	RESERVED	-	RESERVED		
N13	RESERVED	-	RESERVED		
L13	RESERVED	-	RESERVED		
J13	RESERVED	-	RESERVED		
M13	RESERVED	-	RESERVED		
K13	RESERVED	-	RESERVED		
H13	RESERVED	-	RESERVED		
G13	RESERVED	-	RESERVED		
F13	RESERVED	-	RESERVED		
A11	RESERVED	-	RESERVED		
A12	RESERVED	-	RESERVED		
B11	RESERVED	-	RESERVED		
B10	RESERVED	-	RESERVED		
A9	RESERVED	-	RESERVED		
A8	RESERVED	-	RESERVED		
A14	RESERVED	-	RESERVED		
D13	RESERVED	-	RESERVED		
D14	RESERVED	-	RESERVED		
H15	RESERVED	-	RESERVED		
J15	RESERVED	-	RESERVED		
F1	RESERVED	-	RESERVED		
D4	RESERVED	-	RESERVED		
E13	RESERVED	-	RESERVED		
F15	RESERVED	-	RESERVED		
P11	RESERVED	-	RESERVED		





WARNING:

Reserved pins must not be connected.

3.2. Important Pin-out to Debug in customer’s application

The followings pins are necessary to debug the application when the module is assembled on customer’s application. We recommend connecting them also to dedicated test point.

PADs for GE910	Signal
M1,M2,N1,N2,P1,P2	VBATT & VBATT_PA
E1,G1,H1,J1,L1,A2,E2,F2,G2,H2, J2,K2,L2,R2,M3,N3,P3,R3,M4, N4,P4,R4,N5,P5,R5,N6,P6,R6,P8, R8,P9,P10,R10,M12,B13,P13,E14	GND
R12	ON/OFF*
R13	HW_SHUTDOWN*
K1	ANTENNA GSM
B15 (RESERVED on GE910-QUAD V3)	USB_D+
C15 (RESERVED on GE910-QUAD V3)	USB_D-
N15	C103/TXD
M15	C104/RXD
L14	C105/RTS
P15	C106/CTS
D15	TXD_AUX
E15	RXD_AUX

ADDITIONAL PADs for GE910-GNSS only	Signal
R9	ANTENNA GNSS
G14	GNSS_EN*
J14	GNSS_NMEA_TX
K14	GNSS_NMEA_RX



NOTE:

Not used pins apart from table above can be left unconnected.

RTS pin should be connected to the GND (on the module side) if flow control is not used.



3.3. LGA PADS Layout

TOP VIEW

	A	B	C	D	E	F	G	H	J	K	L	M	N	P	R
1		ADC IN1	RES	RES	GND	RES	GND	GND	GND	ANT_GSM	GND	VBATT	VBATT_PA	VBATT_PA	
2	GND	EAR+	RES	RES	GND	GND	GND	GND	GND	GND	GND	VBATT	VBATT_PA	VBATT_PA	GND
3	SIMVCC	EAR-	RES	RES	RES	RES	RES	RES	RES	RES	RES	GND	GND	GND	GND
4	SIMIN	MIC+	RES	RES								GND	GND	GND	GND
5	SIMIO	MIC-	RES										GND	GND	GND
6	SIMCLK	DVL_RX	RES										GND	GND	GND
7	SIMRST	DVL_TX	RES										RES	RES	GNSS_LNA_EN
8	RES	DVL_CLK	GPIO_01										RES	GND	GND
9	RES	DVL_WA0	GPIO_02										RES	GND	ANT_GNSS
10	RES	RES	GPIO_03										RES	GND	GND
11	RES	RES	GPIO_04										RES	RES	VAUX / PWRMON
12	RES	RES	GPIO_06	RES								GND	RES	RES	ON_OFF*
13	USB_VBUS	GND	GPIO_07	RES	RES	RES	RES	RES	RES	RES	RES	RES	RES	GND	HW_SHUT DOWN*
14	RES	GPIO_05	VRTC	RES	GND	RES	GNSS_EN*	RES	GNSS_NMEA_TX	GNSS_NMEA_RX	C105/RTS	C108/DTR	C109/DCD	C107/DSR	C125/RING
15		USB_D+	USB_D-	TX AUX	RX AUX	RES	GPIO_10	RES	RES	GPIO_08	GPIO_09	C104/RXD	C103/TXD	C106/CTS	



NOTE:

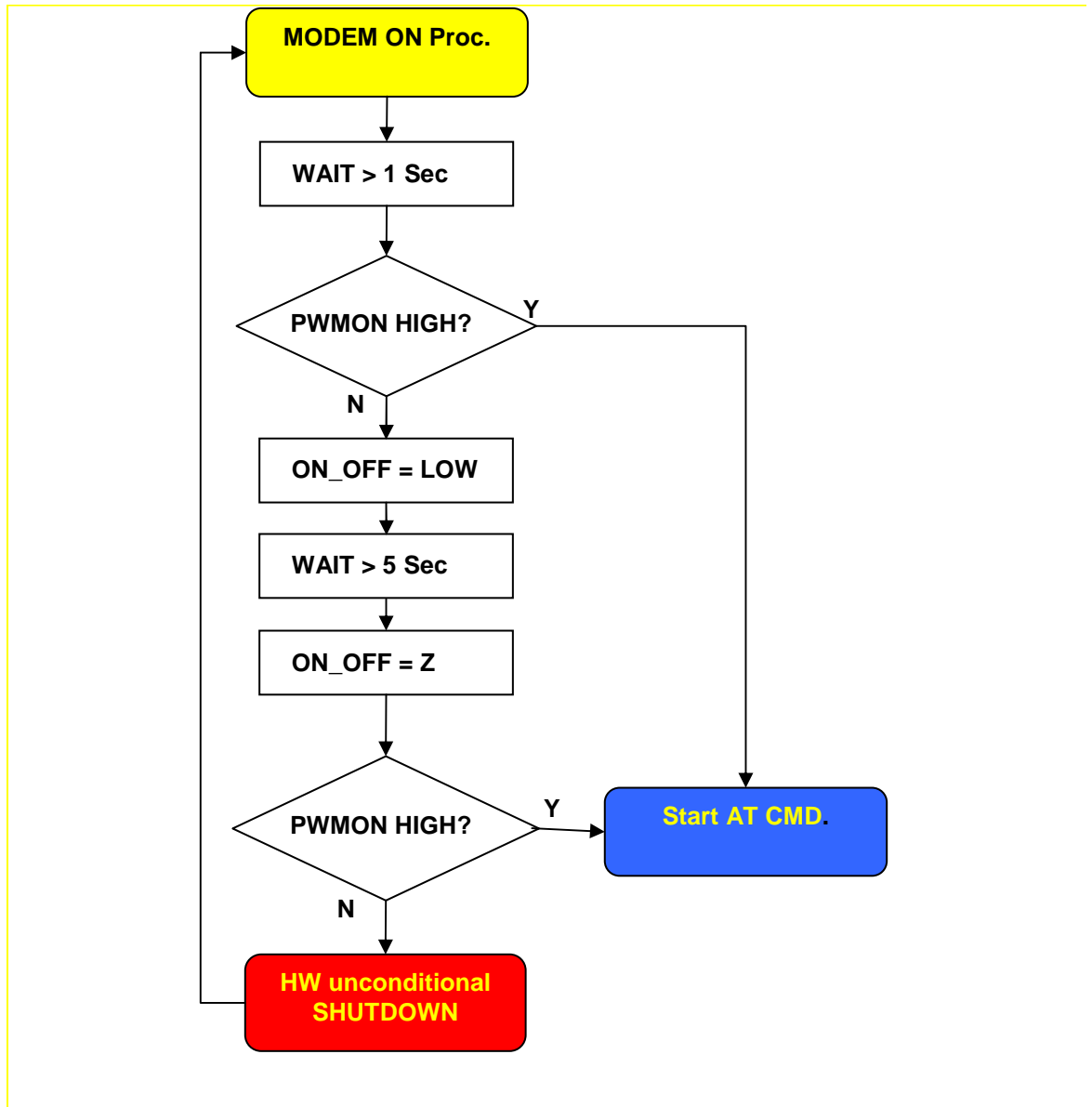
The pin defined as RES has to be considered RESERVED and not connected on any pin in the application. The related area on the application has to be kept empty.

Pin G14; J14; K14; R7; R9 are available only on GE910-GNSS variant.

Pin B15; C15; A13 are NOT available on GE910-QUAD V3 variant



The flow chart showing the proper TURN ON procedure is displayed below:

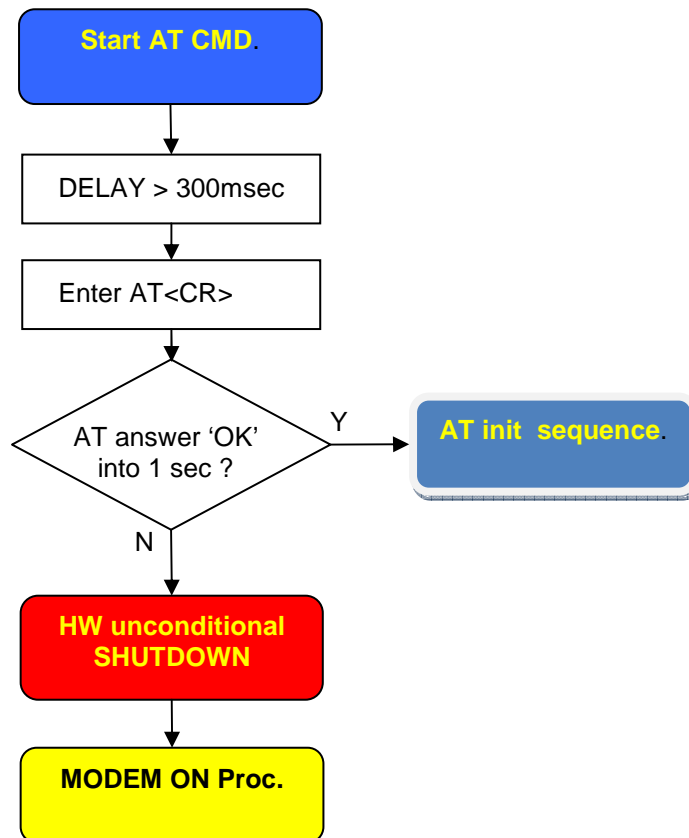


NOTE:

In order to avoid a back powering effect it is recommended to avoid having any HIGH logic level signal applied to the digital pins of the GE910 when the module is powered off or during an ON/OFF transition.



The Flow chart showing the AT commands managing procedure is displayed below:



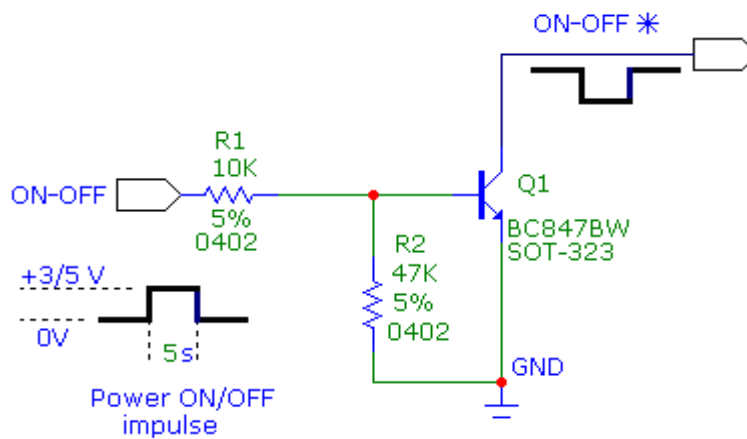
NOTE:

Do not give any commands before 300 msec after ON/OFF procedure.

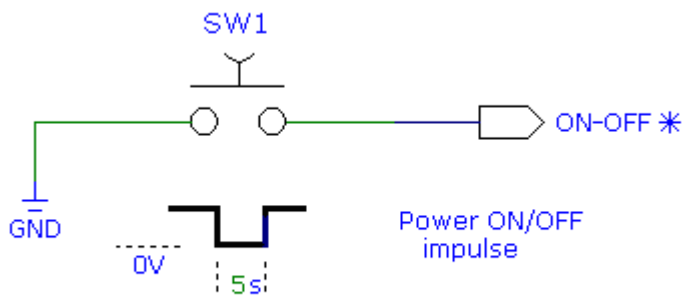


ON-OFF Circuit Examples:

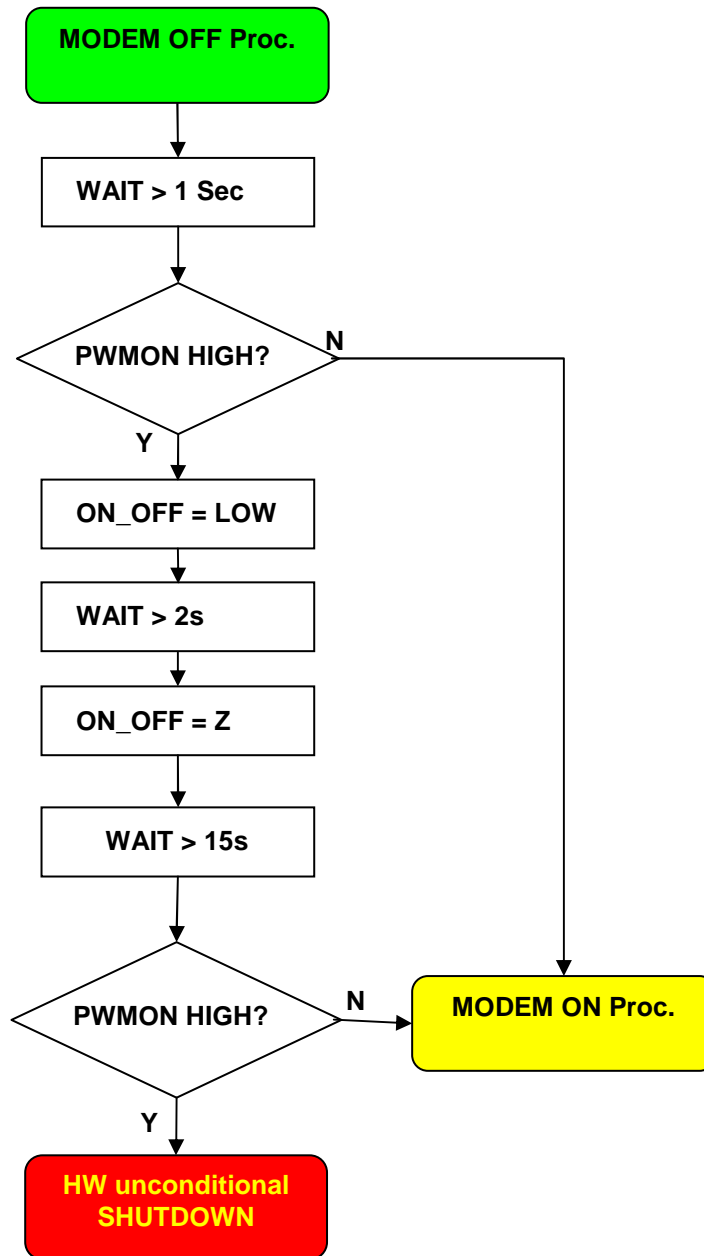
1- If your system does not have Open Collector bus, use this interface:



2- Using a simple ON/OFF external switch:



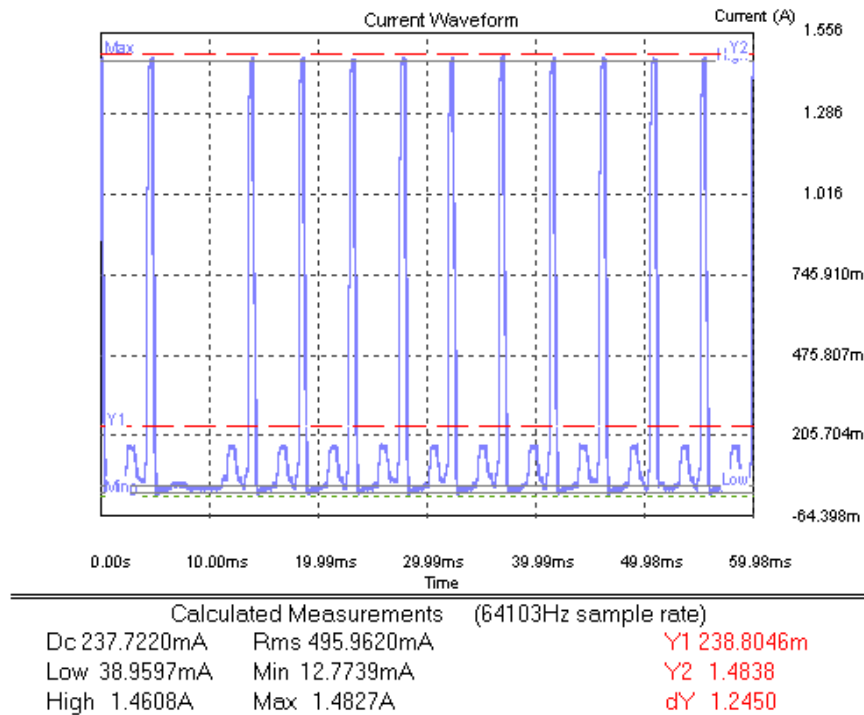
The following flow chart shows the proper HW TURN OFF procedure:



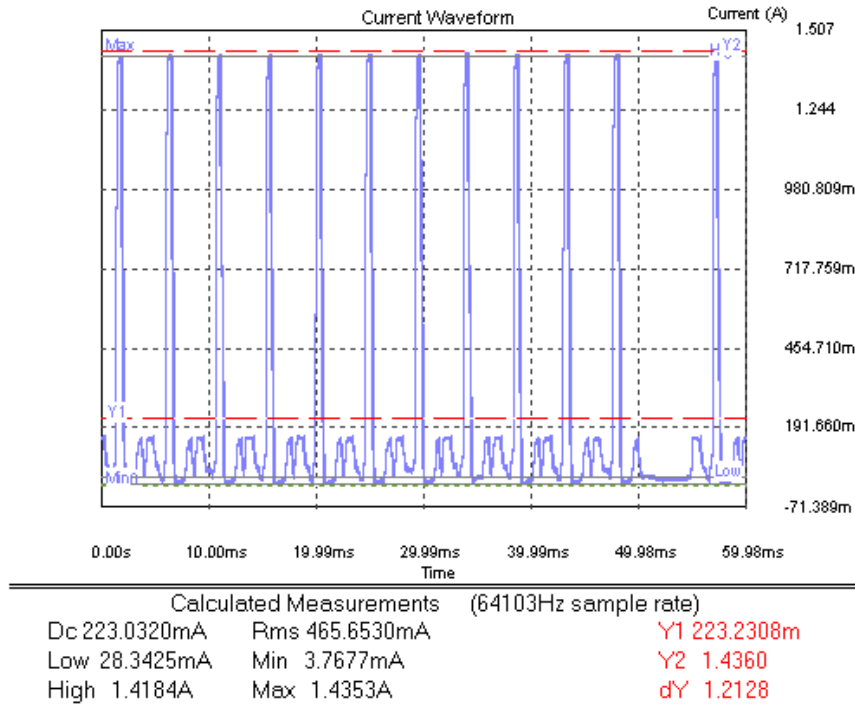
5.2.1. Power consumption Plots

This document section is showing the typical Current consumption plots (using Agilent 66319D) in the normal working conditions of the module.

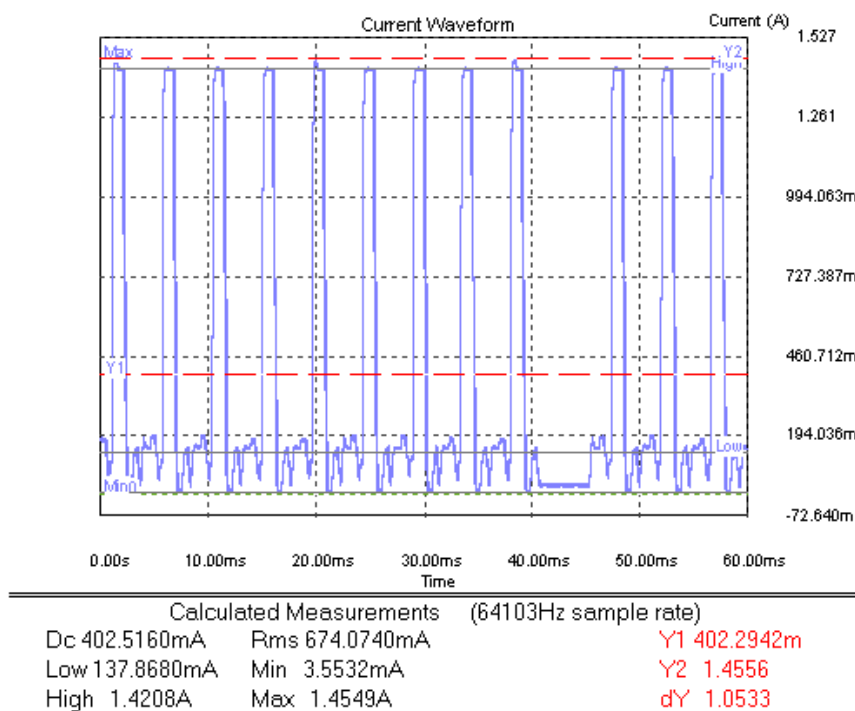
GSM900 – Voice Call – Power level 5



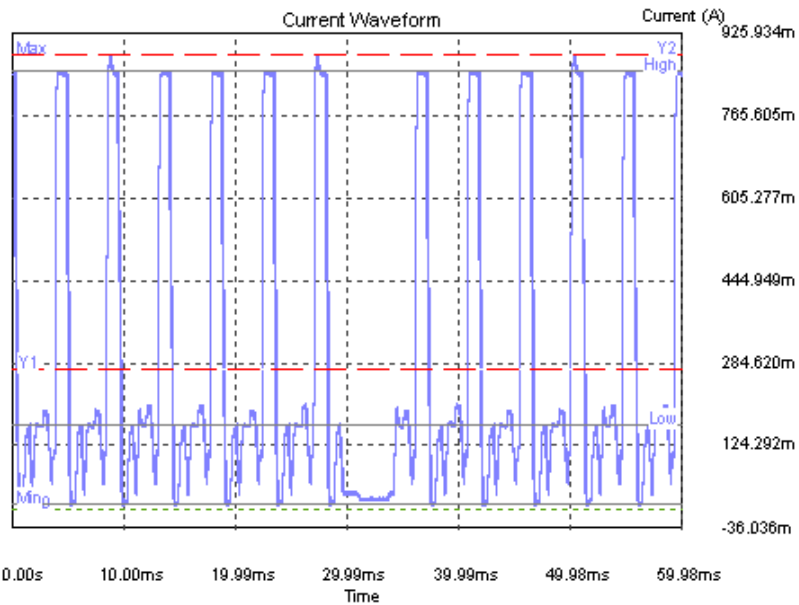
GSM900 – GPRS Call – Power level 5 - 1 Slot TX



GSM900 – GPRS Call – Power level 5 - 2 Slot TX, 3 Slot RX



PCS1900 – GPRS Call – Power level 0 - 2 Slot TX, 3 Slot RX



Calculated Measurements (64103Hz sample rate)		
Dc 274.4900mA	Rms 412.9800mA	Y1 274.5464m
Low 163.0430mA	Min 9.7719mA	Y2 882.7347m
High 850.5330mA	Max 882.3070mA	dY 608.1882m



5.3. General Design Rules

The principal guidelines for the Power Supply Design embrace three different design steps:

- the electrical design
- the thermal design
- the PCB layout

5.3.1. Electrical Design Guidelines

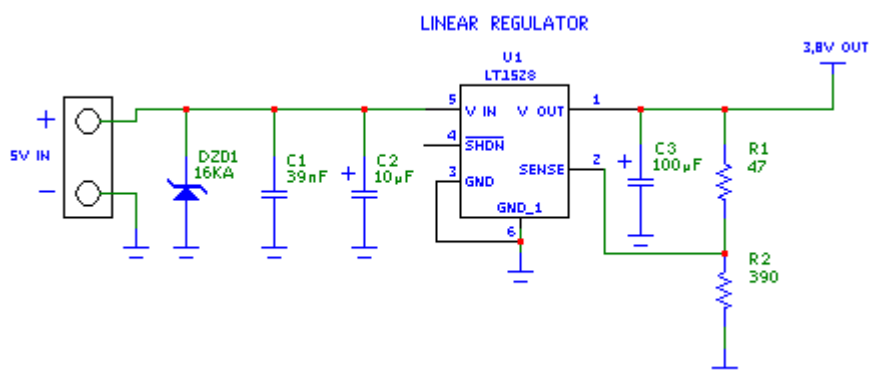
The electrical design of the power supply depends strongly from the power source where this power is drained. We will distinguish them into three categories:

- +5V input (typically PC internal regulator output)
- +12V input (typically automotive)
- Battery

5.3.1.1. + 5V input Source Power Supply Design Guidelines

- The desired output for the power supply is 3.8V, hence there's not a big difference between the input source and the desired output and a linear regulator can be used. A switching power supply will not be suited because of the low drop out requirements.
- When using a linear regulator, a proper heat sink shall be provided in order to dissipate the power generated.
- A Bypass low ESR capacitor of adequate capacity must be provided in order to cut the current absorption peaks close to the GE910, a 100 μ F tantalum capacitor is usually suited.
- Make sure the low ESR capacitor on the power supply output (usually a tantalum one) is rated at least 10V.
- A protection diode should be inserted close to the power input, in order to save the GE910 from power polarity inversion.

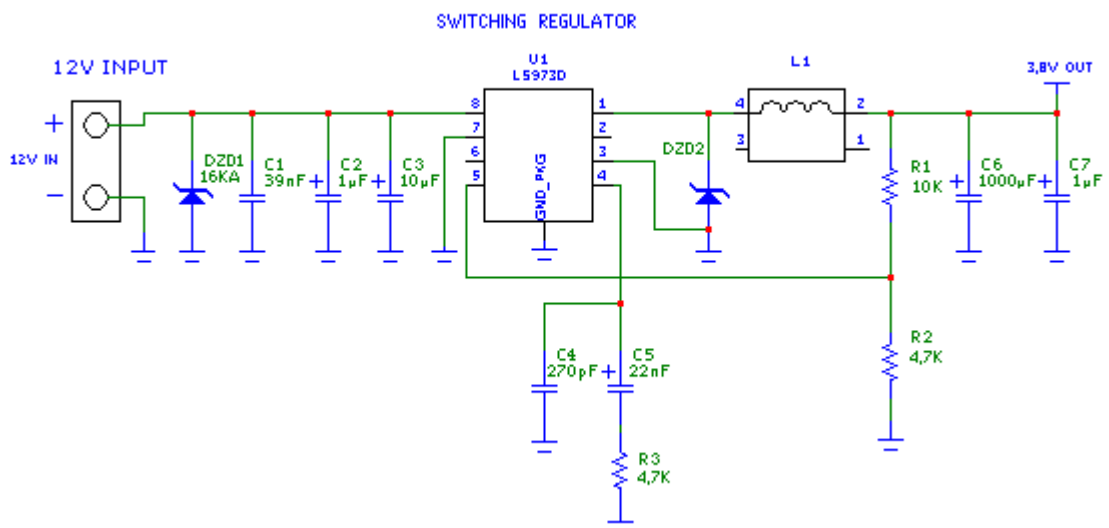
An example of linear regulator with 5V input is:



5.3.1.2. + 12V input Source Power Supply Design Guidelines

- The desired output for the power supply is 3.8V, hence due to the big difference between the input source and the desired output, a linear regulator is not suited and shall not be used. A switching power supply will be preferable because of its better efficiency especially with the 2A peak current load represented by the GE910.
- When using a switching regulator, a 500kHz or more switching frequency regulator is preferable because of its smaller inductor size and its faster transient response. This allows the regulator to respond quickly to the current peaks absorption.
- In any case the frequency and Switching design selection is related to the application to be developed due to the fact the switching frequency could also generate EMC interferences.
- For car PB battery the input voltage can rise up to 15,8V and this should be kept in mind when choosing components: all components in the power supply must withstand this voltage.
- A Bypass low ESR capacitor of adequate capacity must be provided in order to cut the current absorption peaks, a 100µF tantalum capacitor is usually suited.
- Make sure the low ESR capacitor on the power supply output (usually a tantalum one) is rated at least 10V.
- For Car applications a spike protection diode should be inserted close to the power input, in order to clean the supply from spikes.
- A protection diode should be inserted close to the power input, in order to save the GE910 from power polarity inversion. This can be the same diode as for spike protection.

An example of switching regulator with 12V input is in the below schematic:



5.3.1.3. Battery Source Power Supply Design Guidelines

- The desired nominal output for the power supply is 3.8V and the maximum voltage allowed is 4.2V, hence a single 3.7V Li-Ion cell battery type is suited for supplying the power to the Telit GE910 module.



WARNING:

The three cells Ni/Cd or Ni/MH 3,6 V Nom. battery types or 4V PB types **MUST NOT BE USED DIRECTLY** since their maximum voltage can rise over the absolute maximum voltage for the GE910 and damage it.



NOTE:

DON'T USE any Ni-Cd, Ni-MH, and Pb battery types directly connected with GE910. Their use can lead to overvoltage on the GE910 and damage it. USE ONLY Li-Ion battery types.

- A Bypass low ESR capacitor of adequate capacity must be provided in order to cut the current absorption peaks, a 100 μ F tantalum capacitor is usually suited.
- Make sure the low ESR capacitor (usually a tantalum one) is rated at least 10V.
- A protection diode should be inserted close to the power input, in order to save the GE910 from power polarity inversion. Otherwise the battery connector should be done in a way to avoid polarity inversions when connecting the battery.
- The battery capacity must be at least 500mAh in order to withstand the current peaks of 2A; the suggested capacity is from 500mAh to 1000mAh.



5.3.2. Thermal Design Guidelines

The thermal design for the power supply heat sink should be done with the following specifications:

See section 6.2 Power Consumption



NOTE:

The average consumption during transmissions depends on the power level at which the device is requested to transmit by the network. The average current consumption hence varies significantly.

Considering the very low current during idle, especially if Power Saving function is enabled, it is possible to consider from the thermal point of view that the device absorbs current significantly only during calls.

For the heat generated by the GE910, you can consider it to be during transmission 1W max during VOICE calls and 2W max during class10 GPRS upload.

This generated heat will be mostly conducted to the ground plane under the GE910; you must ensure that your application can dissipate it.



5.3.3. Power Supply PCB layout Guidelines

As seen on the electrical design guidelines the power supply shall have a low ESR capacitor on the output to cut the current peaks and a protection diode on the input to protect the supply from spikes and polarity inversion. The placement of these components is crucial for the correct working of the circuitry. A misplaced component can be useless or can even decrease the power supply performances.

- The Bypass low ESR capacitor must be placed close to the Telit GE910 power input pads or in the case the power supply is a switching type it can be placed close to the inductor to cut the ripple provided the PCB trace from the capacitor to the GE910 is wide enough to ensure a drop less connection even during the 2A current peaks.
- The protection diode must be placed close to the input connector where the power source is drained.
- The PCB traces from the input connector to the power regulator IC must be wide enough to ensure no voltage drops occur when the 2A current peaks are absorbed. Note that this is not made in order to save power loss but especially to avoid the voltage drops on the power line at the current peaks frequency of 216 Hz that will reflect on all the components connected to that supply, introducing the noise floor at the burst base frequency. For this reason while a voltage drop of 300-400 mV may be acceptable from the power loss point of view, the same voltage drop may not be acceptable from the noise point of view. If your application doesn't have audio interface but only uses the data feature of the Telit GE910, then this noise is not so disturbing and power supply layout design can be more forgiving.
- The PCB traces to the GE910 and the Bypass capacitor must be wide enough to ensure no significant voltage drops occur when the 2A current peaks are absorbed. This is for the same reason as previous point. Try to keep this trace as short as possible.
- The PCB traces connecting the Switching output to the inductor and the switching diode must be kept as short as possible by placing the inductor and the diode very close to the power switching IC (only for switching power supply). This is done in order to reduce the radiated field (noise) at the switching frequency (100-500 kHz usually).
- The use of a good common ground plane is suggested.
- The placement of the power supply on the board should be done in such a way to guarantee that the high current return paths in the ground plane are not overlapped to any noise sensitive circuitry as the microphone amplifier/buffer or earphone amplifier.
- The power supply input cables should be kept separate from noise sensitive lines such as microphone/earphone cables.



6. GSM Radio Section

The antenna connection and board layout design are the most important aspect in the full product design as they strongly affect the product overall performances, hence read carefully and follow the requirements and the guidelines for a proper design.

6.1. GSM Antenna Requirements

As suggested on the Product Description the antenna and antenna transmission line on PCB for a Telit GE910 device shall fulfill the following requirements:

ANTENNA REQUIREMENTS	
Frequency range	Depending by frequency band(s) provided by the network operator, the customer shall use the most suitable antenna for that/those band(s)
Bandwidth	70 MHz in GSM850, 80 MHz in GSM900, 170 MHz in DCS & 140 MHz PCS band
Impedance	50Ω
Input power	> 2 W
VSWR absolute max	≤ 10:1 (limit to avoid permanent damage)
VSWR recommended	≤ 2:1 (limit to fulfill all regulatory requirements)

When using the GE910, since there's no antenna connector on the module, the antenna must be connected to the GE910 antenna pad (LGA pad K1) by means of a transmission line implemented on the PCB.

In the case the antenna is not directly connected at the antenna pad of the GE910, then a PCB line is needed in order to connect with it or with its connector.

This transmission line shall fulfill the following requirements:

ANTENNA LINE ON PCB REQUIREMENTS	
Characteristic Impedance	50Ω
Max Attenuation	0,3 dB
Coupling with other signals shall be avoided	
Cold End (Ground Plane) of antenna shall be equipotential to the GE910 ground pins	



Furthermore if the device is developed for the US market and/or Canada market, it shall comply with the FCC and/or IC approval requirements.

This device is to be used only for mobile and fixed application. In order to re-use the Telit FCC/IC approvals the antenna(s) used for this transmitter must be installed to provide a separation distance of at least 20 cm from all persons and must not be co-located or operating in conjunction with any other antenna or transmitter. See chapter 15. Conformity Assessment Issues

6.2. GSM Antenna - PCB line Guidelines

- Make sure that the transmission line's characteristic impedance is 50Ω ;
- Keep line on the PCB as short as possible, since the antenna line loss shall be less than around 0,3 dB;
- Line geometry should have uniform characteristics, constant cross section, avoid meanders and abrupt curves;
- Any kind of suitable geometry / structure (Microstrip, Stripline, Coplanar, Grounded Coplanar Waveguide...) can be used for implementing the printed transmission line afferent the antenna;
- If a Ground plane is required in line geometry, that plane has to be continuous and sufficiently extended, so the geometry can be as similar as possible to the related canonical model;
- Keep, if possible, at least one layer of the PCB used only for the Ground plane; If possible, use this layer as reference Ground plane for the transmission line;
- It is wise to surround (on both sides) the PCB transmission line with Ground, avoid having other signal tracks facing directly the antenna line track.
- Avoid crossing any un-shielded transmission line footprint with other signal tracks on different layers;
- The ground surrounding the antenna line on PCB has to be strictly connected to the main Ground Plane by means of via holes (once per 2mm at least), placed close to the ground edges facing line track;
- Place EM noisy devices as far as possible from GE910 antenna line;
- Keep the antenna line far away from the GE910 power supply lines;
- If EM noisy devices are present on the PCB hosting the GE910, such as fast switching ICs, take care of the shielding of the antenna line by burying it inside the layers of PCB and surround it with Ground planes, or shield it with a metal frame cover.
- If EM noisy devices are not present around the line, the use of geometries like Microstrip or Grounded Coplanar Waveguide has to be preferred, since they typically ensure less attenuation if compared to a Stripline having same length;



6.3. PCB Guidelines in case of FCC certification

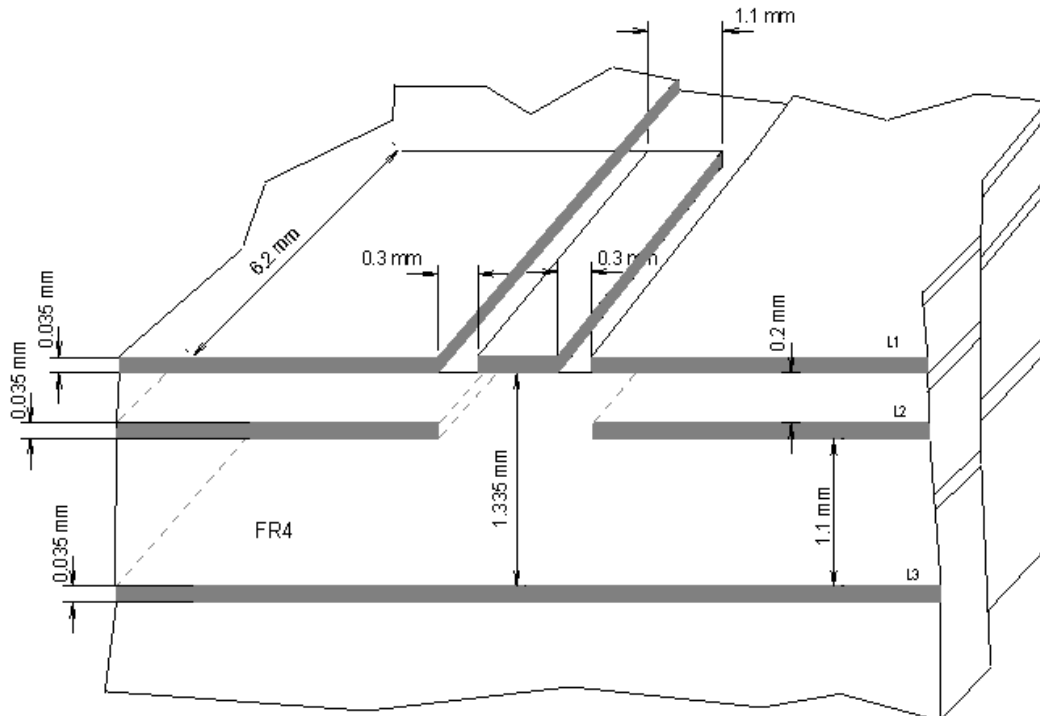
In the case FCC certification is required for an application using GE910, according to FCC KDB 996369 for modular approval requirements, the transmission line has to be similar to that implemented on GE910 interface board and described in the following chapter.

6.3.1. Transmission line design

During the design of the GE910 interface board, the placement of components has been chosen properly, in order to keep the line length as short as possible, thus leading to lowest power losses possible. A Grounded Coplanar Waveguide (G-CPW) line has been chosen, since this kind of transmission line ensures good impedance control and can be implemented in an outer PCB layer as needed in this case. A SMA female connector has been used to feed the line.

The interface board is realized on a FR4, 4-layers PCB. Substrate material is characterized by relative permittivity $\epsilon_r = 4.6 \pm 0.4 @ 1 \text{ GHz}$, $\text{TanD} = 0.019 \div 0.026 @ 1 \text{ GHz}$.

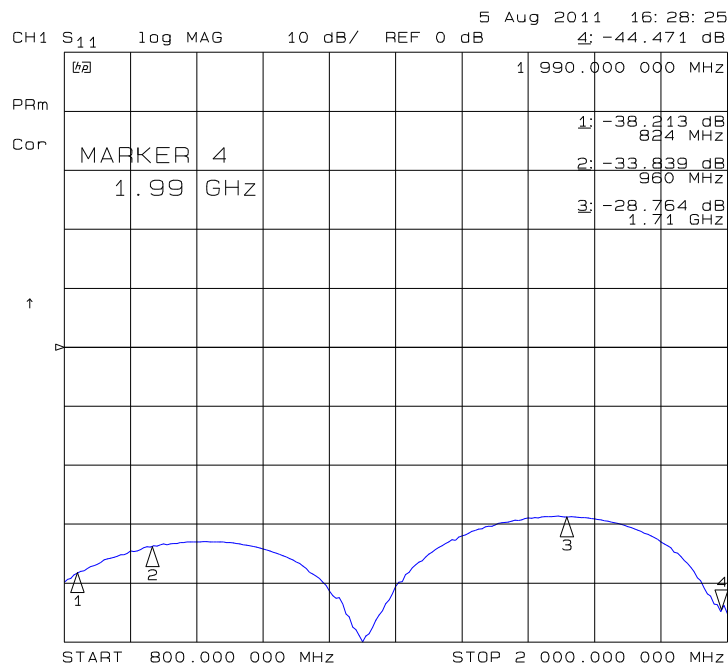
A characteristic impedance of nearly 50Ω is achieved using trace width = 1.1 mm, clearance from coplanar ground plane = 0.3 mm each side. The line uses reference ground plane on layer 3, while copper is removed from layer 2 underneath the line. Height of trace above ground plane is 1.335 mm. Calculated characteristic impedance is 51.6Ω , estimated line loss is less than 0.1 dB. The line geometry is shown below:



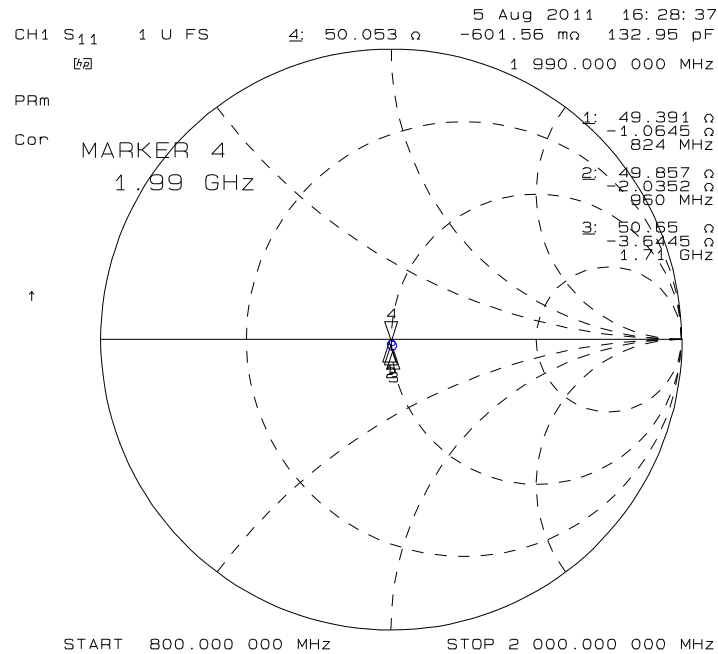
6.3.2. Transmission line measurements

HP8753E VNA (Full-2-port calibration) has been used in this measurement session. A calibrated coaxial cable has been soldered at the pad corresponding to GE910 RF output; a SMA connector has been soldered to the board in order to characterize the losses of the transmission line including the connector itself. During Return Loss / impedance measurements, the transmission line has been terminated to 50 Ω load.

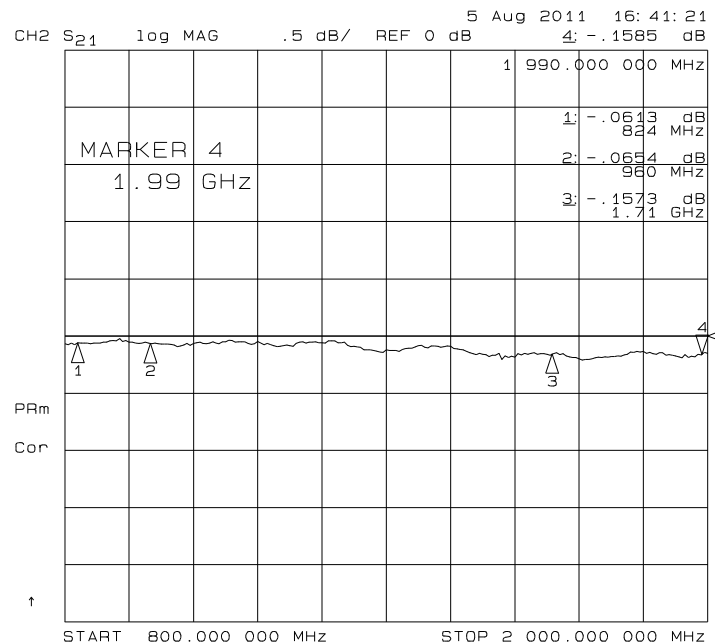
Return Loss plot of line under test is shown below:



Line input impedance (in Smith Chart format, once the line has been terminated to 50 Ω load) is shown in the following figure:



Insertion Loss of G-CPW line plus SMA connector is shown below:



6.4. GSM Antenna - Installation Guidelines

- Install the antenna in a place covered by the GSM signal.
- If the device antenna is located greater than 20cm from the human body and there are no co-located transmitter then the Telit FCC/IC approvals can be re-used by the end product
- If the device antenna is located less than 20cm from the human body or there are no co-located transmitter then the additional FCC/IC testing may be required for the end product (Telit FCC/IC approvals cannot be reused)
- Antenna shall not be installed inside metal cases
- Antenna shall be installed also according Antenna manufacturer instructions.



7. Global Navigation Satellite System (GE910-GNSS)

The GNSS part of GE910-GNSS module is a new age of receiver that can simultaneously search and track satellite signals from multiple satellite constellations. This multi-GNSS receiver uses the entire spectrum of GNSS systems available: GPS, Glonass, Galileo and QZSS.

It features advanced real time hardware correlation engine for enhanced sensitivity navigation engine (PVT), Fast Acquisition giving rapid Time-to-First-Fix (TTFF), low power consumption and fast time to first fix, 32 track verification channels, stand Alone and Assisted mode and Satellite Based Augmentation Systems (SBAS): WAAS, EGNOS, and MSAS. It also offers an accurate timing pulse and jamming immunity.

Operation in a high interference signal environment is common practice in today's electronic age. By incorporating 3-stage rejection architecture, it is able to remove interfering signals pre- and post-correlation.

With the help of advanced digital signal processing algorithms and the use of A-GPS data, the receiver is capable to achieve higher sensitivity values required for indoor applications.

The following table is listing the GE910 variants that support the GNSS receiver:

Product	GNSS Receiver
GE910-GNSS	YES
GE910-QUAD	NO
GE910-QUAD V3	NO



NOTE: The GNSS part of GE910-GNSS module has the same electrical and performance specifications as referred in Telit "SL869 Product Description". Please refer to that document for more detail information.

7.1. Principles of operation

The GSM and GNSS part of the module can be used in two ways: standalone or hosted.

In the standalone mode the GE910-GNSS module has independent Power ON-OFF and UART. In the hosted mode the GNSS is controlled by GSM at start-up, left GNSS_EN* pad unconnected. In this mode the GNSS commands and NMEA strings can be either through the dedicated GNSS UART3 or via GSM UARTs, leaving UART3 for different use.

The GNSS firmware is upgradable as standalone or host, in host operation, leave GNSS_BOOT (GNSS_NMEA_TX) pin floating. In Standalone mode of operation place into BOOT mode by tying GNSS_BOOT pin to Ground through a 1K pull-up resistor.

The host serial I/O port of the receiver's serial data interface supports full duplex communication between the receiver and the user.

The default serial configuration on UART3 (GNSS_NMEA_UART) is as follows:
NMEA, 115200 bps, 8 data bits, no parity, and 1stop bit.



7.2. GNSS Signals Pinout

GNSS SECTION					
R9	ANTENNA GNSS	-	GNSS Antenna (50 ohm)	RF	
G14	GNSS_EN*	I	External GNSS ON-OFF	VBATT ref.	Open Colector active low
J14	GNSS_NMEA_TX	O	UART NMEA Output	1.8V	UART3 or GNSS_BOOT
K14	GNSS_NMEA_RX	I	UART NMEA Input	1.8V	UART3
R7	GNSS_LNA_EN	O	GNSS External LNA Enable	1.8V	Active Antenna Control

7.3. Turning ON/OFF the GNSS module only in standalone mode

Turning ON/OFF the GNSS device can be done in two ways:

- via AT command (see GE910 Software User Guide, AT\$GPSP)
- Keeping low the external pad GNSS_EN* to Power On or releasing it to Power OFF.



NOTE:

Connect GNSS_EN* pad in an open collector configuration, since it is pulled-up to VBATT.

TIP:

To check if the GNSS device has powered on, you can use the GNSS_LNA_EN, it goes high on power-on until first fix, and only then, it may pulse for power saving requirements.

7.4. RF Front End Design

The GE910 Module contains an integrated LNA and pre-select SAW filter. This allows the module to work properly with a passive GPS antenna. If the antenna cannot be located near the GE910, then an active antenna (i.e. an antenna with a built-in low noise amplifier) can be used.



7.4.1. RF Signal Requirements

Thanks to the internal LNA it amplifies the GNSS signals and provides enough gain for the receiver to use a passive antenna. A very low noise design is utilized to provide maximum sensitivity. For better performance the system requires an external BIAS-T and antenna voltage supply for active antenna.

7.4.2. GNSS Antenna – PCB Line Guidelines

- Ensure that the antenna line impedance is 50ohm.
- Keep the antenna line on the PCB as short as possible to reduce the loss.
- Antenna line must have uniform characteristics, constant cross section, avoid meanders and abrupt curves.
- Keep one layer of the PCB used only for the Ground plane, if possible.
- Surround (on both the sides, over and under) the antenna line on PCB with Ground, avoid having other signal tracks facing directly the antenna line of track.
- The ground around the antenna line on PCB has to be strictly connected to the Ground Plane by placing vias once per 2mm at least.
- Place EM noisy devices as far as possible from antenna line.
- Keep the antenna line far away from power supply lines.
- Keep the antenna line far away from GSM RF lines.
- If you have EM noisy devices around the PCB hosting the module, such as fast switching ICs, take care of the shielding of the antenna line by burying it inside the layers of PCB and surround it with Ground planes, or shield it with a metal frame cover.
- If you do not have EM noisy devices around the PCB hosting the module, use a strip-line on the superficial copper layer for the antenna line. The line attenuation will be lower than a buried one.

7.4.3. GNSS Antenna Polarization

The GNSS signal as broadcast is a right hand circularly polarized signal. The best antenna to receive these signals is a right hand circularly (RHCP) polarized antenna. Remember that IS-GPS-200E specifies the received power level with a linearly polarized antenna. A linearly polarized antenna will have 3 dB losses as compared to an RHCP antenna assuming the same antenna gain (specified in dBi and dBic respectively).

An RHCP antenna is better at rejecting multipath than a linearly polarized antenna. This is because the reflected signal changes polarization to LHCP, which would be rejected by the RHCP antenna by typically 20 dB or so. If the multipath signal is attenuating the line of sight signal, then the RHCP antenna would show a higher signal level than a linearly polarized antenna because the interfering signal is rejected.

However, in the case where the multipath signal is replacing the line of sight signal, such as in an urban canyon environment, then the number of satellites in view could drop below the needed number to determine a 3D solution. This is a case where a bad signal may be better than no signal. The system designer needs to make tradeoffs in his application to choose the better solution.



7.4.4. GNSS Antenna Gain

Antenna gain is defined as the extra signal power from the antenna as compared to a theoretical isotropic antenna (equally sensitive in all directions).

For example, a 25x25mm² patch antenna on a reference ground plane (usually 70x70mm²) will give an antenna gain at zenith of 5 dBiC. A smaller 18mm by 18mm square patch on a reference ground plane (usually 50x50mm²) will give an antenna gain at zenith of 2 dBiC.

While an antenna vendor will specify a nominal antenna gain (usually at zenith, or directly overhead) antenna pattern curves should be supplied, specifying gain as a function of elevation and gain at a fixed elevation as a function of azimuth. Pay careful attention to the requirement to meet these specifications, such as required ground plane and any external matching components. Failure to follow these requirements could result in very poor antenna performance.

It is important to note that GPS antenna gain is not the same thing as external LNA gain. Most antenna vendors will specify these numbers separately, but some combine them into a single number. It is important to know both numbers when designing and evaluating the front end of a GPS receiver.

For example, antenna X has an antenna gain of 5 dBiC at azimuth and an LNA gain of 20 dB for a combined total of 25 dB. Antenna Y has an antenna gain of -5 dBiC at azimuth and an LNA gain of 30 dB for a combined total of 25 dB. However, in the system, antenna X will outperform antenna Y by about 10 dB (refer to next chapter for more details on system noise floor).

An antenna with higher gain will generally outperform an antenna with lower gain. Once the signals are above about -130 dBm for a particular satellite, no improvement in performance would be gained. However, for those satellites that are below about -125 dBm, a higher gain antenna would improve the gain and improve the performance of the GPS receiver. In the case of really weak signals, a good antenna could make the difference between being able to use a particular satellite signal or not.

7.4.5. Active versus Passive Antenna

If the GPS antenna is placed near the GE910 and the RF traces losses are not excessive (nominally 1 dB), then a passive antenna can be used. This would normally be the lowest cost option and most of the time the simplest to use. However, if the antenna needs to be located away from the GE910 then an active antenna may be required to obtain the best system performance. The active antenna has its own built-in low noise amplifier to overcome RF trace or cable losses after the active antenna.

However, an active antenna has a low noise amplifier (LNA) with associated gain and noise figure. In addition, many active antennas have a pre-select filter, a post-select filter, or both.



7.4.6. RF Trace Losses

RF Trace losses are difficult to estimate on a PCB without having the appropriate tables or RF simulation software to estimate what the losses would be. A good rule of thumb would be to keep the RF traces as short as possible, make sure they are 50 ohms impedance and don't contain any sharp bends.

7.4.7. Implications of the Pre-select SAW Filter

The module GE910-GNSS contains a SAW filter used in a pre-select configuration with the built-in LNA, that is, the RF input of the module ties directly into the SAW filter. Any circuit connected to the input of the module would see complex impedance presented by the SAW filter, particularly out of band, rather than the relatively broad and flat return loss presented by the LNA. Filter devices pass the desired in band signal to the output, resulting in low reflected energy (good return loss), and reject the out of band signal by reflecting it back to the input, resulting in high reflected energy (bad return loss).

If an external amplifier is used with the module, the overall design should be checked for RF stability to prevent the external amplifier from oscillating. Amplifiers that are unconditionally stable at the output will be fine to use with the module.

7.4.8. External LNA Gain and Noise Figure

The module GE910-GNSS can be used with an external LNA such as what might be found in an active antenna. Because of the internal LNA, the overall gain (including signal losses past the external LNA) should not exceed 14 dB. Higher levels can affect the jamming detection capability of the module. If a higher gain LNA is used, either a resistive Pi or T attenuator can be inserted after the LNA to bring the gain down to 14 dB.

The external LNA should have a noise figure better than 1 dB. This will give an overall system noise figure of around 2 dB assuming the LNA gain is 14 dB, or if higher the low gain mode is automatically managed with its internal AGC.

The external LNA, if having no pre-select filter, needs to be able to handle signals other than the GNSS signal. These signals are typically at much higher levels. The amplifier needs to stay in the linear region when presented with these other signals. Again, the system designer needs to determine all of the unintended signals and their possible levels that can be presented and make sure the external LNA will not be driven into compression. If this were to happen, the GNSS signal itself would start to be attenuated and the performance would suffer.

7.4.9. Powering the External LNA (active antenna)

The external LNA needs a source of power. Many of the active antennas accept a 3 volt or 5 volt DC voltage that is impressed upon the RF signal line. This voltage is not supplied by the GE910-GNSS module, but can be easily supplied by the host design.



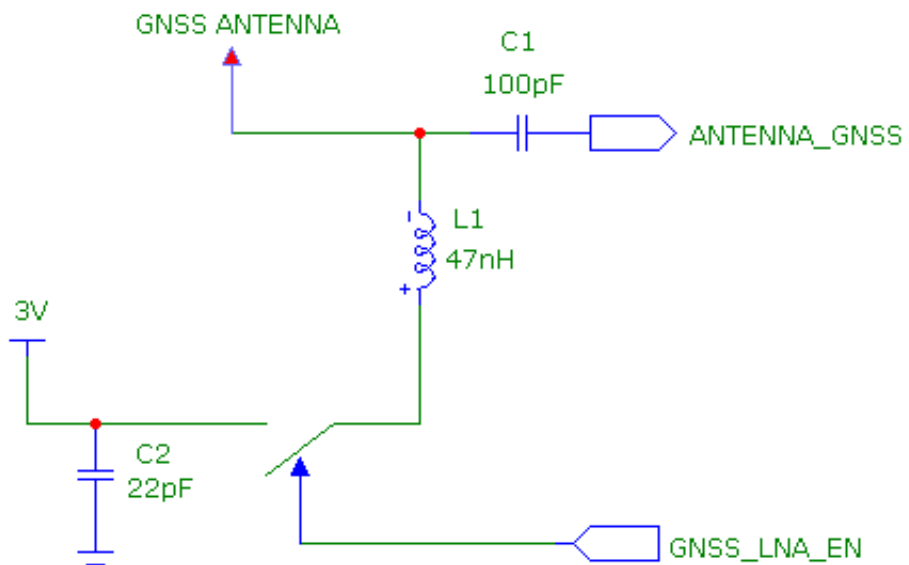
7.4.10. External LNA Enable

The GE910 is already provided by an internal LNA. In case the Application needs to include an additional LNA stage, the module is provided by a digital signal usable to enable the power supply of the external amplifier. The signal is set to High only when the GPS receiver is active.

The electrical characteristics of the GPS_LNA_EN signal are:

Level	Min [V]	Max [V]
Output High Level	1.6	1.9
Output Low Level	0V	0.2

Example of external antenna bias circuitry:



8. Logic Level Specifications

Where not specifically stated, all digital interface circuits work at 1.8V CMOS logic levels. The following table shows the logic level specifications used in the GE910 interface circuits:

Absolute Maximum Ratings -Not Functional

Parameter	Min	Max
Input level on any digital pin (CMOS 1.8) when ON	-0.3V	+2.1V

Operating Range - Interface levels (1.8V CMOS)

Level	Min	Max
Input high level	1.5V	1.9V
Input low level	0V	0.35V
Output high level	1.6V	1.9V
Output low level	0V	0.2V

Current characteristics

Level	Typical
Output Current	1mA
Input Current	1uA



9. USB Port

The GE910 includes one integrated universal serial bus (USB) transceiver USB 2.0 FS.

Note: NOT supported on GE910-QUAD V3.

9.1. USB 2.0 FS

This port is compliant with the USB 2.0 FS (Full Speed) specifications.

The following table is listing the available signals:

PAD	Signal	I/O	Function	Type	COMMENT
B15	USB_D+	I/O	USB differential Data (+)	3.3V	
C15	USB_D-	I/O	USB differential Data (-)	3.3V	
A13	VUSB	AI	Power sense for USB presence	5V	Accepted range 1.8V to 5V

The USB_DPLUS and USB_DMINUS signals have a clock rate of 12 MHz.

The signal traces should be routed carefully. Trace lengths, number of vias and capacitive loading should be minimized. The impedance value should be as close as possible to 90 Ohms differential.



NOTE:

VUSB pin should be disconnected before activating the Power Saving Mode.



10. Serial Ports

The serial port on the GE910 is the core of the interface between the module and OEM hardware.

3 serial ports are available on the module:

- MODEM SERIAL PORT 1 (Main)
- MODEM SERIAL PORT 2 (Auxiliary)
- MODEM SERIAL PORT 3 (NMEA on GE910-GNSS products).

10.1. Modem Serial Port

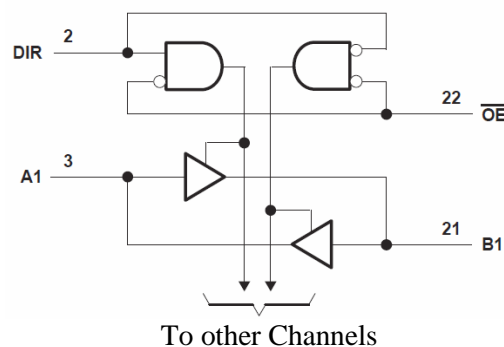
Several configurations can be designed for the serial port on the OEM hardware, but the most common are:

- RS232 PC com port
- microcontroller UART @ 1.8V (Universal Asynchronous Receive Transmit)
- microcontroller UART @ 3V or other voltages different from 1.8V
- microcontroller UART @ 5V or other voltages different from 1.8V

The serial port on the GE910 is a +1.8V CMOS UART with all the 8 RS232 signals. It differs from the PC-RS232 in the signal polarity (RS232 is reversed) and levels.

For system working on different digital supply standard, a level translator circuit may be needed to make the system work properly.

An Example of level translation implementation could be the use of a standard 74LVC245, a Dual-Supply Bus Transceiver, which Logic Diagram is shown here:



NOTE:

OE connected to VAUX pin may be a useful solution to avoid Back-Powering by means of disabling the bus, not to supply a voltage level, while modem is OFF.



The signals of the GE910 Serial Port are:

RS232 Pin Number	Signal	GE910 Pad Number	Name	Usage
1	DCD - dcd_uart	N14	Data Carrier Detect	Output from the GE910 that indicates the carrier presence
2	RXD - tx_uart	M15	Transmit line *see Note	Output transmit line of GE910 UART
3	TXD -rx_uart	N15	Receive line *see Note	Input receive of the GE910 UART
4	DTR - dtr_uart	M14	Data Terminal Ready	Input to the GE910 that controls the DTE READY condition
5	GND	P13	Ground	Ground
6	DSR - dsr_uart	P14	Data Set Ready	Output from the GE910 that indicates the module is ready
7	RTS -rts_uart	L14	Request to Send	Input to the GE910 that controls the Hardware flow control
8	CTS - cts_uart	P15	Clear to Send	Output from the GE910 that controls the Hardware flow control
9	RI - ri_uart	R14	Ring Indicator	Output from the GE910 that indicates the incoming call condition



NOTE:

According to V.24, RX/TX signal names are referred to the application side, therefore on the GE910 side these signal are on the opposite direction: TXD on the application side will be connected to the receive line (here named TXD/ rx_uart) of the GE910 serial port and vice versa for RX.



NOTE:

For a minimum implementation, only the TXD and RXD lines can be connected, the other lines can be left open provided a software flow control is implemented.



NOTE:

DTR pin should be disconnected before activating the Power Saving Mode.



NOTE:

In order to avoid a back powering effect it is recommended to avoid having HIGH logic level signal applied to digital pins of the module when powered off or during an ON/OFF transition.



10.2. RS232 level translation

In order to interface the GE910 with a PC com port or a RS232 (EIA/TIA-232) application a level translator is required. This level translator must:

- invert the electrical signal in both directions;
- change the level from 0/1.8V to +15/-15V

Actually, the RS232 UART 16450, 16550, 16650 & 16750 chipsets accept signals with lower levels on the RS232 side (EIA/TIA-562), allowing a lower voltage-multiplying ratio on the level translator. Note that the negative signal voltage must be less than 0V and hence some sort of level translation is always required.

The simplest way to translate the levels and invert the signal is by using a single chip level translator. There are a multitude of them, differing in the number of drivers and receivers and in the levels (be sure to get a true RS232 level translator not a RS485 or other standards).

By convention the driver is the level translator from the 0-1.8V UART to the RS232 level. The receiver is the translator from the RS232 level to 0-1.8V UART.

In order to translate the whole set of control lines of the UART you will need:

- 5 drivers
- 3 receivers



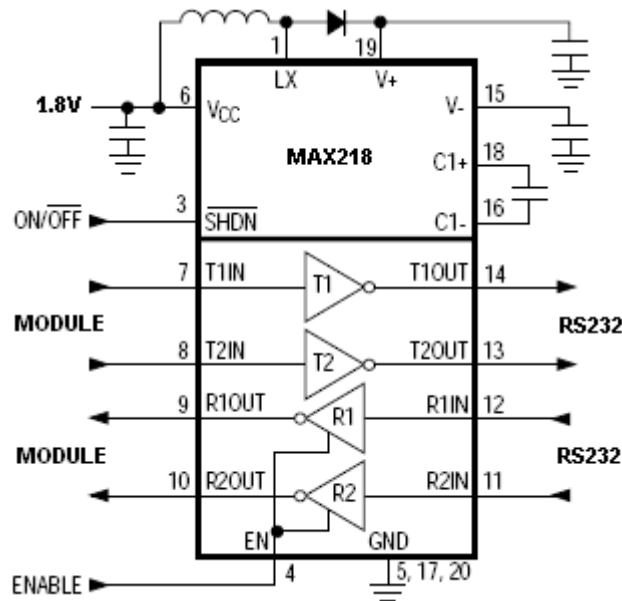
NOTE:

The digital input lines working at 1.8V CMOS have an absolute maximum input voltage of 2.1V; therefore the level translator IC shall not be powered by the +3.8V supply of the module. Instead, it must be powered from a +1.8V (dedicated) power supply.

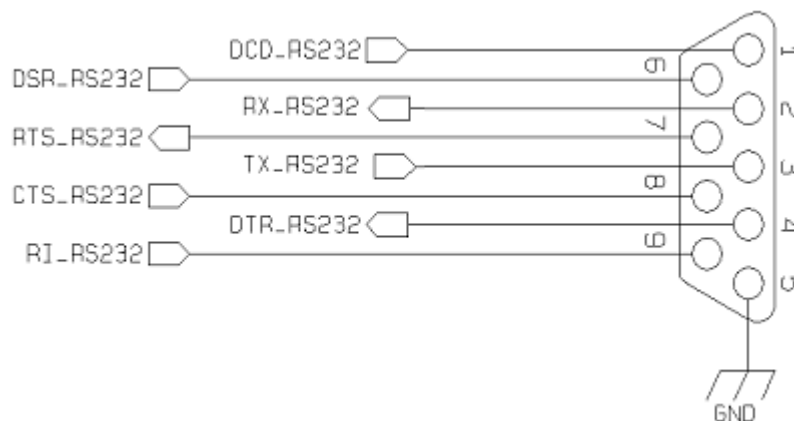


An example of RS232 level adaptation circuitry could be done using a MAXIM transceiver (MAX218).

In this case the chipset is capable to translate directly from 0/1.8V to the RS232 levels (Example done on 4 signals only).



The RS232 serial port lines are usually connected to a DB9 connector with the following layout:



11. Audio Section Overview

The audio paths are:

- Digital Voice Interface (DVI).
- Analog Front-End.

11.1. Digital Voice Interface (DVI)

11.1.1. DVI Electrical Connections

The product is providing the Digital Audio Interface (DVI) on the following Pins:

Digital Voice Interface (DVI)					
PAD	Signal	I/O	Function	Note	Type
B9	DVI_WA0	I/O	Digital Audio Interface (Word Alignment / LRCLK)		CMOS 1.8V
B6	DVI_RX	I	Digital Audio Interface (RX)		CMOS 1.8V
B7	DVI_TX	O	Digital Audio Interface (TX)		CMOS 1.8V
B8	DVI_CLK	I/O	Digital Audio Interface (BCLK)		CMOS 1.8V



NOTE:

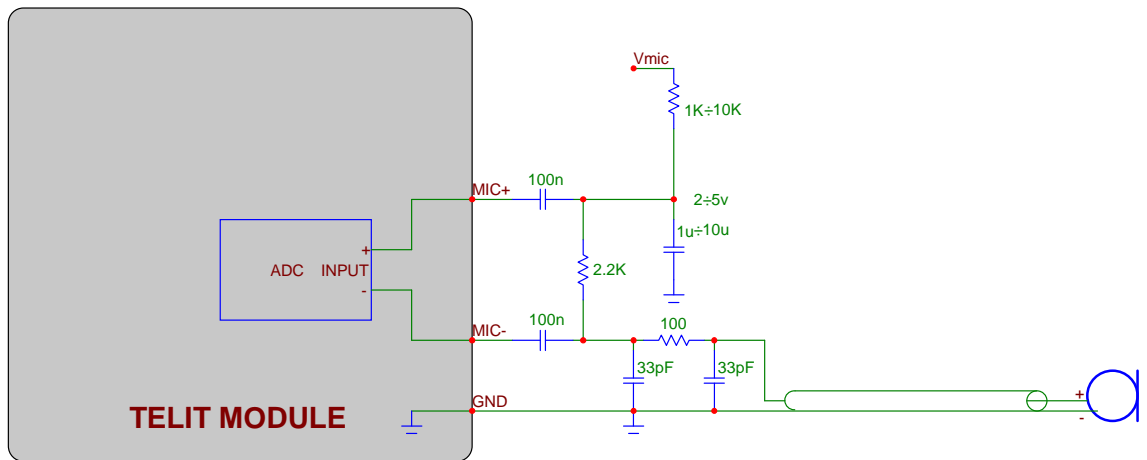
For more information refer to Telit document: "80000NT10004a Digital Voice Interface Application Note".

11.2. Analog Front-End

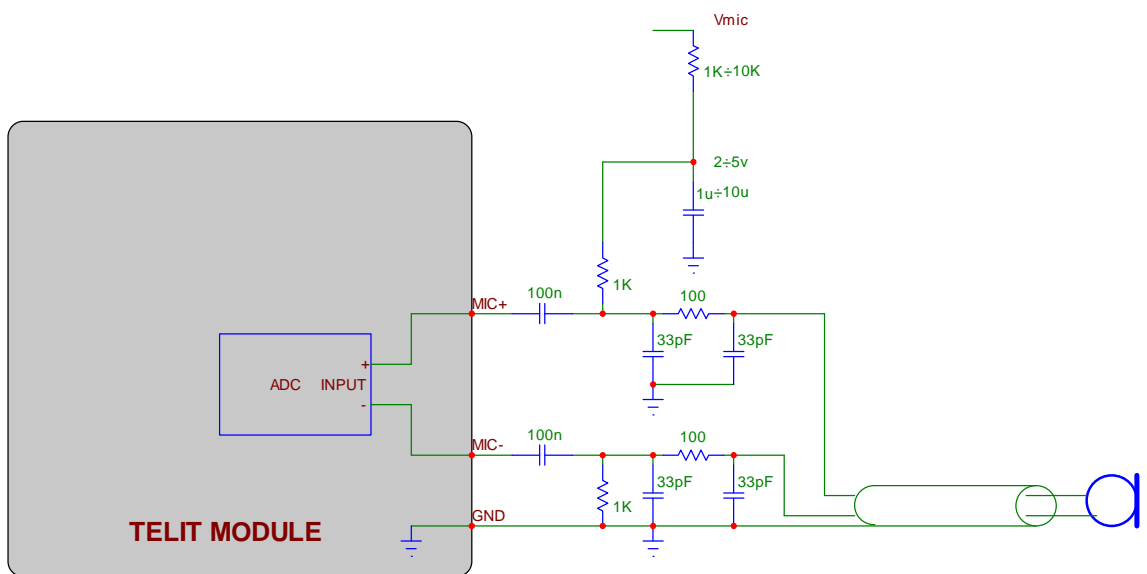
11.2.1. MIC connection

The bias for the microphone has to be as clean as possible; the first connection (single ended) is preferable since the Vmic noise and ground noise are fed into the input as common mode and then rejected. This sounds strange; usually the connection to use in order to reject the common mode is the balanced one. In this situation we have to recall that the microphone is a sound to current transducer, so the resistor is the current to tension transducer, so finally the resistor feeds the input in balanced way even if the configuration, from a microphone point of view, seems to be un-balanced.





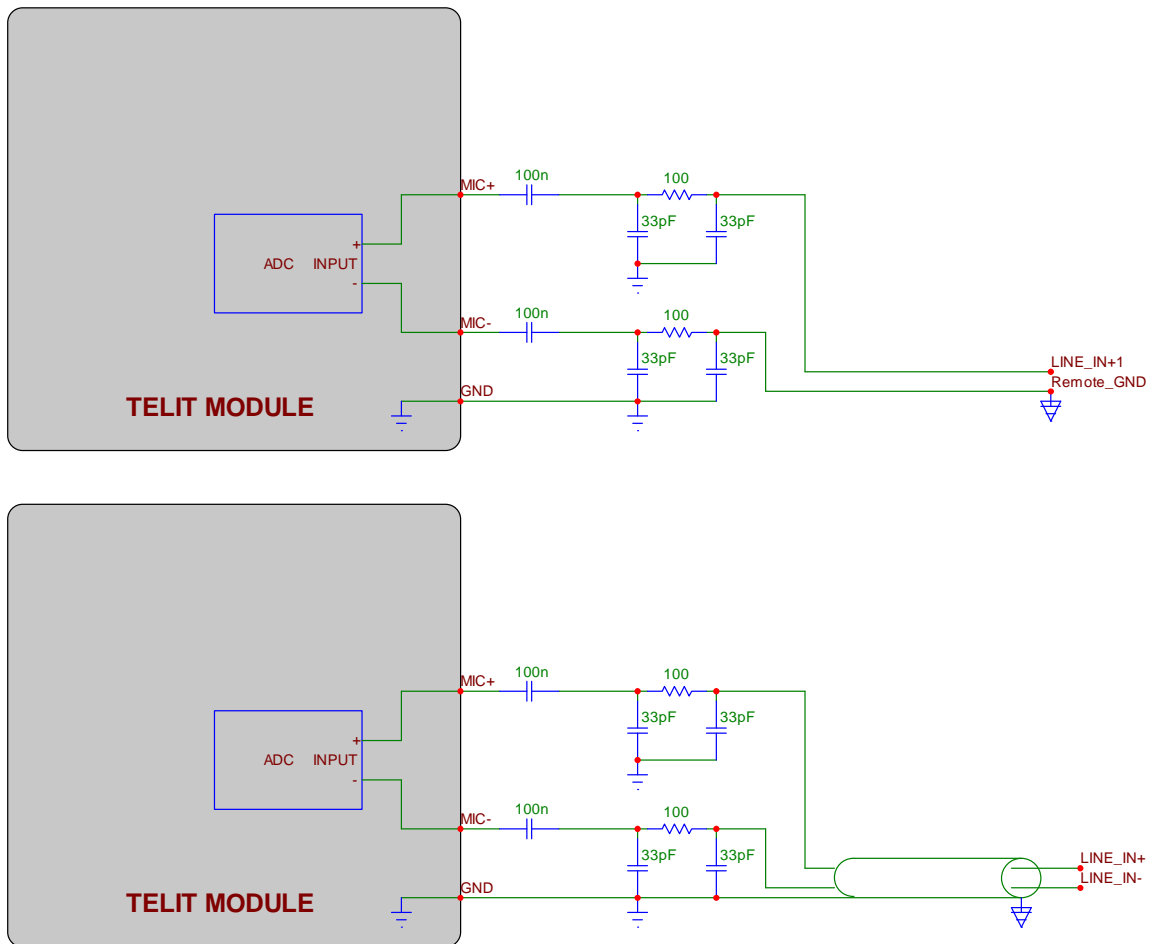
If a "balanced way" is anyway desired, much more care has to be taken to Vmic noise and ground noise; also the 33pF-100Ohm-33pF Π -RF filter has to be doubled (one each wire).



TIP: Since the J-FET transistor inside the microphone acts as RF detector amplifier, ask vendor for a microphone with anti-EMI capacitor (usually a 33pF or a 10pF capacitor placed across the output terminals inside the case).



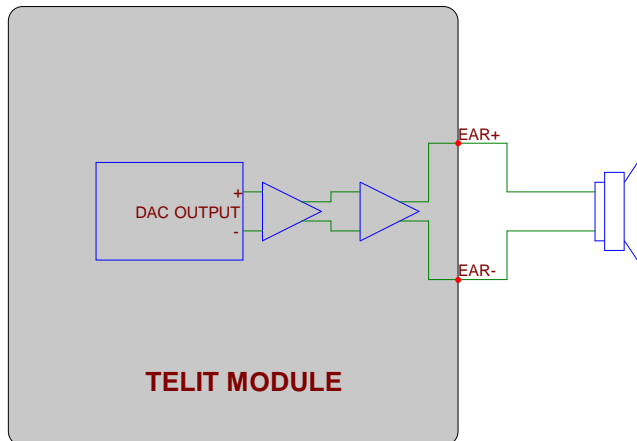
11.2.2. LINE-IN connection



If the audio source is not a mike but a different device, the following connections can be done. Place 100nF capacitor in series with both inputs, so the DC current is blocked. Place the 33pF-100Ohm-33pF I-RF filter, in order to prevent some EMI field to get into the high impedance high gain MIC inputs. Since the input is differential, the common mode voltage noise between the two (different) grounds is rejected, provided that both MIC+ & MIC- are connected directly onto the source.



11.2.3. EAR connection



The audio output of the GE910 is balanced, this is helpful to double the level and to reject common mode (click and pop are common mode and therefore rejected); furthermore the output stage is class-D, so it can manage directly a loudspeaker with electrical impedance of at least 80hm. This stage is powered by switching from VBATT to GND at a frequency ranging from 0.6 to 2MHz, so it has a good efficiency and a power budget up to 0.7W; being a class-D architecture, please use some caution (see the NOTE below).



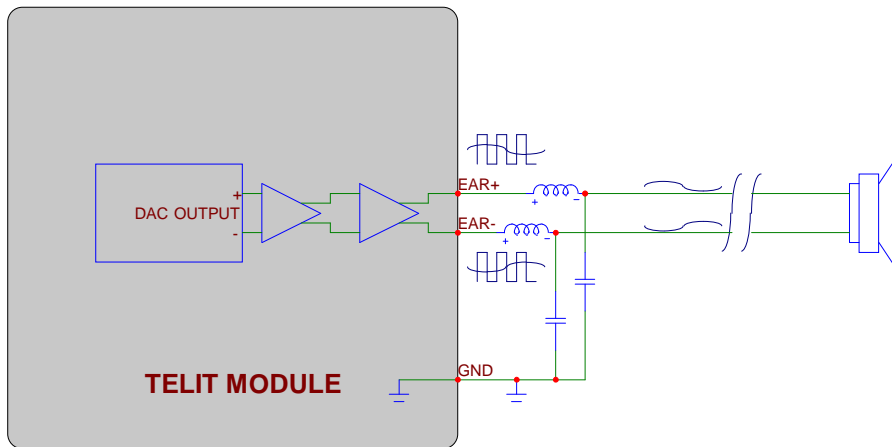
NOTE:

When the loudspeaker is connected with a long cable, an L-C filter is recommended.
When the EAR+/- are feeding some electronic circuitry, an R-C filter is recommended.

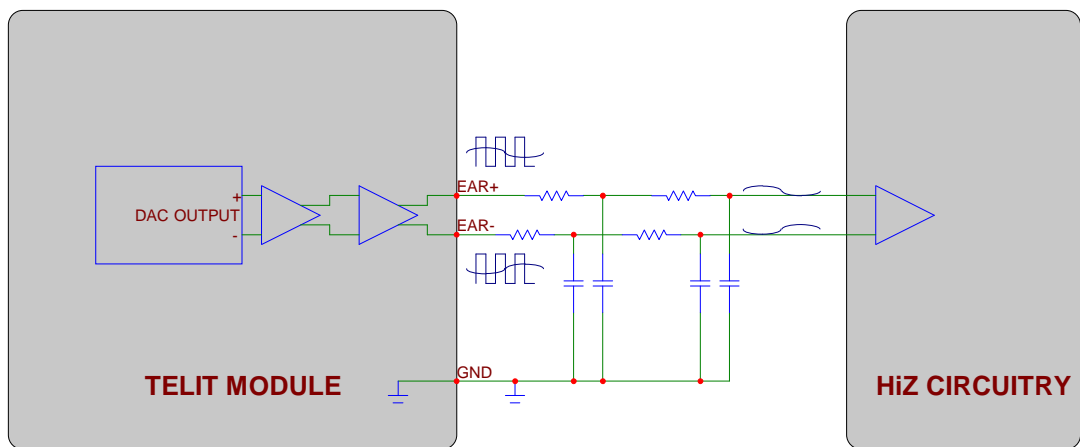


TIP: in order to get the maximum audio level at a given output voltage level (dBspl/Vrms), the following breaking through procedure can be used. Have the loudspeaker as close as you can to the listener (this simplify also the echo cancelling); choose the loudspeaker with the higher sensitivity (dBspl per W); choose loudspeakers with the impedance close to the limit (ex: 16 or 8 Ohm), in order to feed more power inside the transducer (it increases the W/Vrms ratio). If this were not enough, an external amplifier should be used.





L-C filtering for LOW impedance load.



R-C filtering for HIGH impedance load.



11.2.4. Electrical Characteristics

11.2.4.1. Input Lines

Microphone/Line-in path	
Line Type	Differential
Coupling capacitor	$\geq 100\text{nF}$
Differential input resistance	$10\text{k}\Omega$
Levels	
To have 0dBm0 @ 1KHz (*)	Differential input voltage
AT#HFMICG=0	290mVrms
AT#HFMICG=1 (+6dB)	145mVrms
AT#HFMICG=2 (+12dB)	72mVrms
AT#HFMICG=3 (+18dB)	36mVrms
AT#HFMICG=4 (+24dB)	18mVrms
AT#HFMICG=5 (+30dB)	9mVrms
AT#HFMICG=6 (+36dB)	4.5mVrms
AT#HFMICG=7 (+42dB)	2.25mVrms

(*) 0 dBm0 in the network are -3.14 dBfs



TIP: The Electret microphone is internally amplified by a J-FET transistor, thus the sound is carried out as saturation drain current; this means that the Norton equivalence has to be considered. The signal is converted to voltage on the 2.2KOhm resistance, from there on circuitry has to be routed in order to not pick up common mode noise; beware of the return path (ground).

11.2.4.2. Output Lines

EAR/Line-out Output	
Differential line coupling	Direct connection ($V_{DC}=1.3\div 1.6V$)
output load resistance	$\geq 8 \Omega$
signal bandwidth	250÷3400Hz (@ -3dB with default filter)
max. differential output voltage	1120mV _{pp} @3.14dBm0 (*)
differential output voltage	550mV _{rms} @0dBm0 (*)
volume	-20÷0 dB step 2dB

(*) in default condition: AT+CLVL=10, AT#HFRECG=0



TIP:

We suggest driving the load differentially; this kills all the common mode noises (click and pop, for example), the output swing will double (+6dB) and the big output coupling capacitor will be avoided.

However if particular OEM application needs, also a Single Ended (*S.E*) circuitry can be implemented. The OEM circuitry shall be designed to reduce the common mode noise typically generated by the return path of the big currents.

In order to get the maximum power output from the device, the resistance of the tracks has to be negligible in comparison to the load.



NOTES:

For more information refer to Telit document: "80000NT10007a Audio Settings Application Note".



12. General Purpose I/O

The general purpose I/O pads can be configured to act in three different ways:

- input
- output
- alternate function (*internally controlled*)

Input pads: they report the digital value (*high or low*) present on the pad at the moment of reading.

Output pads: can be written, set the output value of the pad, and read.

Alternate function pad: internally controlled by the GE910 firmware and acts depend on implemented function.

The following table shows the available GPIO on the GE910.

PAD	Signal	I/O	Function	Type	Drive strength	Default State	Note
C8	GPIO_01	I/O	Configurable GPIO	CMOS 1.8V	1 mA	INPUT PD	Alternate function STAT LED
C9	GPIO_02	I/O	Configurable GPIO	CMOS 1.8V	1 mA	INPUT PD	
C10	GPIO_03	I/O	Configurable GPIO	CMOS 1.8V	1 mA	INPUT PD	
C11	GPIO_04	I/O	Configurable GPIO	CMOS 1.8V	1 mA	INPUT PD	
B14	GPIO_05	I/O	Configurable GPIO	CMOS 1.8V	1 mA	INPUT PD	Alternate function RFTXMON
C12	GPIO_06	I/O	Configurable GPIO	CMOS 1.8V	1 mA	INPUT PD	
C13	GPIO_07	I/O	Configurable GPIO	CMOS 1.8V	1 mA	INPUT PD	
K15	GPIO_08	I/O	Configurable GPIO	CMOS 1.8V	1 mA	INPUT PD	
L15	GPIO_09	I/O	Configurable GPIO	CMOS 1.8V	1 mA	INPUT PD	
G15	GPIO_10	I/O	Configurable GPIO	CMOS 1.8V	1 mA	INPUT PD	



NOTE:

Pull-Up or Pull-Down can be set on every GPIO, see “AT Commands Reference Guide”.

By default at start time, if no previous set were saved, they are set as Input Pull-Down.



12.1. Using a GPIO Pad as INPUT

The GPIO pads, when used as inputs, can be connected to a digital output of another device and report its status, provided this device has interface levels compatible with the 1.8V CMOS levels of the GPIO.

If the digital output of the device to be connected with the GPIO input pad has interface levels different from the 1.8V CMOS, then it can be buffered with an open collector transistor with a 47K pull up to 1.8V.



NOTE:

In order to avoid a back powering effect it is recommended to avoid having any HIGH logic level signal applied to the digital pins of the GE910 when the module is powered off or during an ON/OFF transition.

12.2. Using a GPIO Pad as OUTPUT

The GPIO pads, when used as outputs, can drive 1.8V CMOS digital devices or compatible hardware. When set as outputs, the pads have a push-pull output and therefore the pull-up resistor may be omitted.



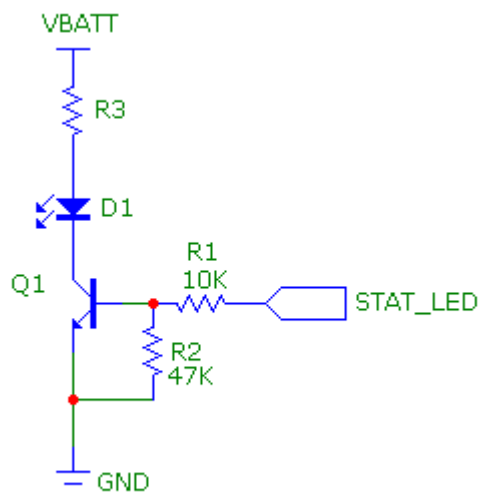
12.3. Indication of network service availability

The STAT_LED pin status shows information on the network service availability and Call status. In the GE910 modules, the STAT_LED usually needs an external transistor to drive an external LED.

Therefore, the status indicated in the following table is reversed with respect to the pin status.

LED status	Device Status
Permanently off	Device off
Fast blinking (Period 1s, Ton 0,5s)	Net search / Not registered / turning off
Slow blinking (Period 3s, Ton 0,3s)	Registered full service
Permanently on	a call is active

A schematic example could be:



12.4. RTC Bypass out

The VRTC pin brings out the Real Time Clock supply, which is separate from the rest of the digital part, allowing having only RTC going on when all the other parts of the device are off. To this power output a backup capacitor can be added in order to increase the RTC autonomy during power off of the battery. NO Devices must be powered from this pin. If ON_OFF* signal is connected to GND, the RTC autonomy will decrease.



WARNING:

Never connect VRTC pin to VBATT.

12.5. External SIM Holder Implementation



NOTE:

Please refer to the related User Guide (SIM Holder Design Guides, 80000NT10001a).

12.6. ADC Converter

12.6.1. Description

The on board ADC has 10-bit resolution. It is able to read a voltage level in the range of 0÷1.3 volts, to store and to convert into a 10 bits word.

	Min	Max	Units
Input Voltage range	0	1.3	Volt
AD conversion	-	10	bits
Resolution	-	< 1.3	mV

The ADC input line is named as **ADC_IN1** and it is available on **PAD B1**.

12.6.2. Using ADC Converter

AT command to manage the ADC is:

AT#ADC=1,2

The read value is expressed in mV



NOTE:

Refer to SW User Guide or AT Commands Reference Guide for the full description of this function.



13. Mounting the GE910 on your Board

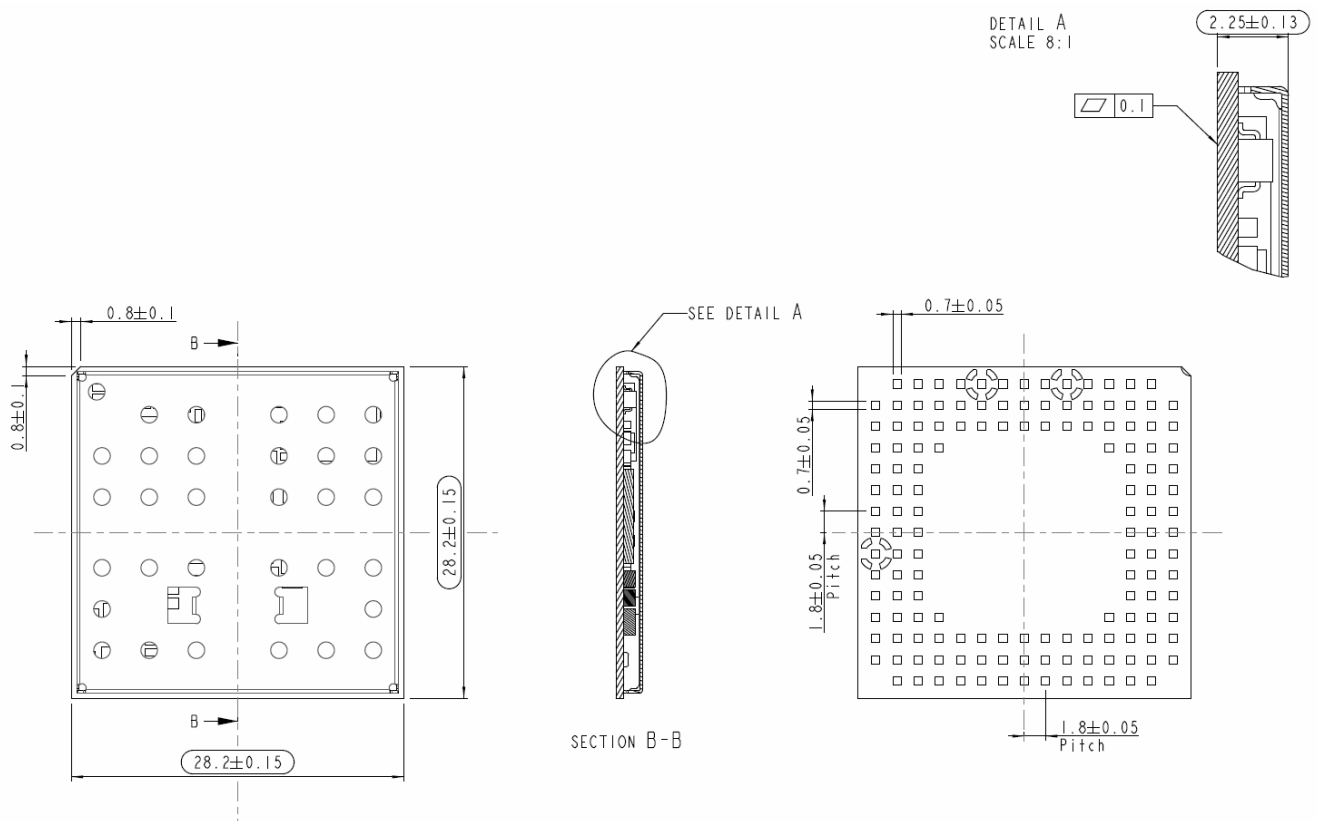
13.1. General

The GE910 modules have been designed in order to be compliant with a standard lead-free SMT process.

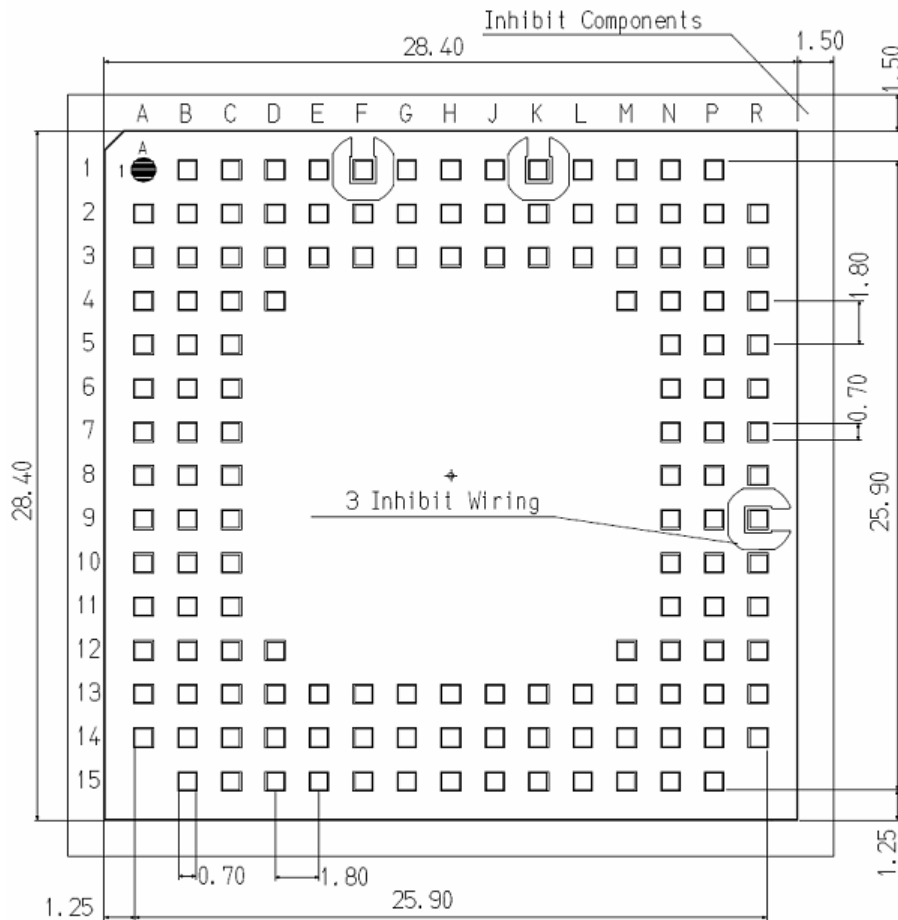
13.2. Module finishing & dimensions

The GE910 overall dimensions are:

- Length: 28.2 mm
- Width: 28.2 mm
- Thickness: 2.25 mm
- Weight: 3.6 g



13.3. Recommended foot print for the application



In order to easily rework the GE910 is suggested to consider on the application a 1.5mm Inhibit area around the module.
It is also suggested, as common rule for an SMT component, to avoid having a mechanical part of the application in direct contact with the module.



NOTE: In the customer application, the region under INHIBIT WIRING must be clear from signal or ground paths.

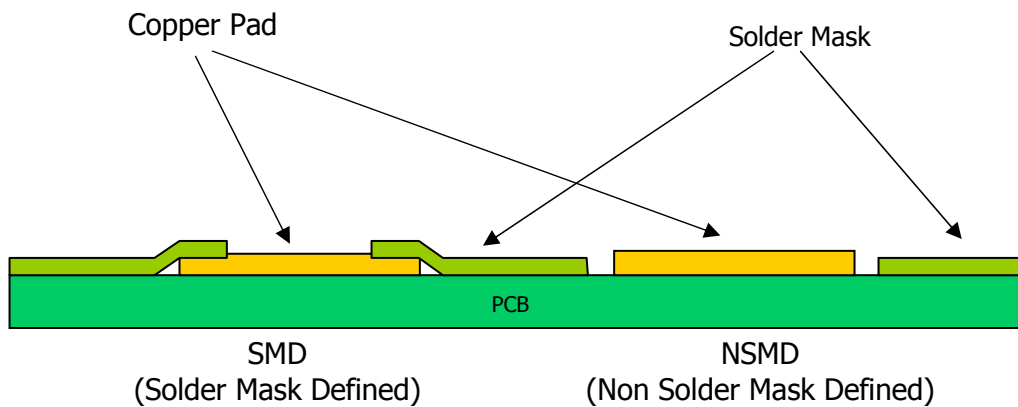


13.4. Stencil

Stencil's apertures layout can be the same of the recommended footprint (1:1), we suggest a thickness of stencil foil $\geq 120\mu\text{m}$.

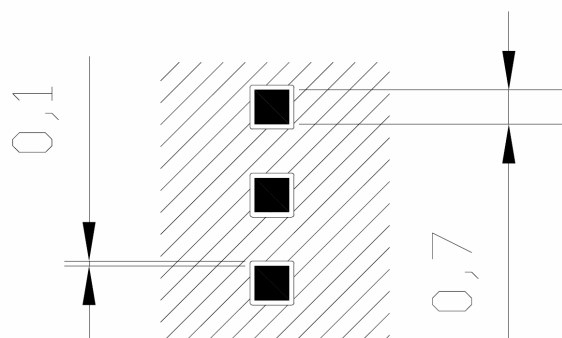
13.5. PCB pad design

Non solder mask defined (NSMD) type is recommended for the solder pads on the PCB.

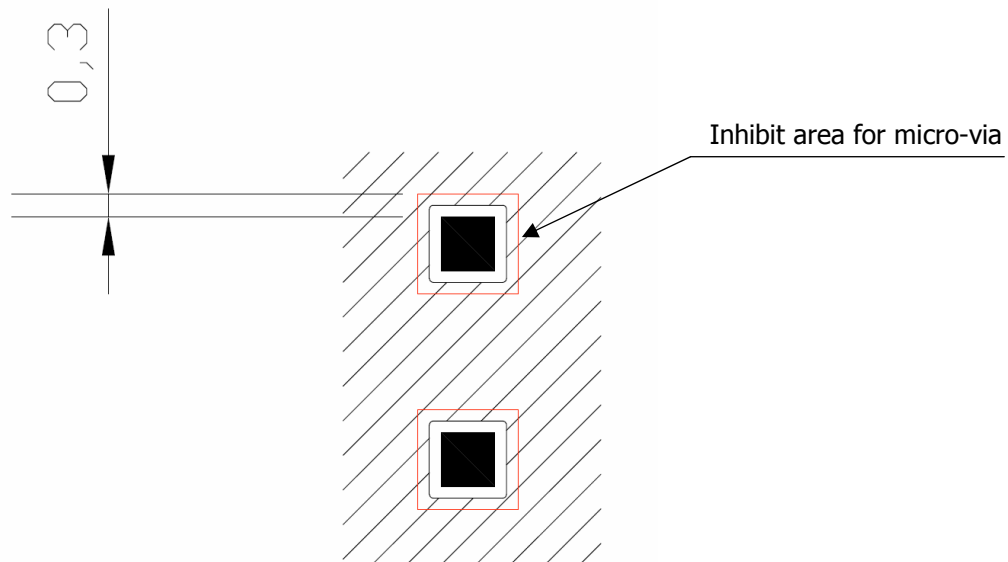


13.6. Recommendations for PCB pad dimensions

Units are in mm.



It is not recommended to place via or micro-via not covered by solder resist in an area of 0.3 mm around the pads unless it carries the same signal of the pad itself (see following figure).



Holes in pad are allowed only for blind holes and not for through holes. When using the hole in pad, we suggest the via filling.

Recommendations for PCB pad surfaces:

Finish	Layer thickness [μm]	Properties
Electro-less Ni / Immersion Au	3 -7 / 0.05 - 0.15	good solder ability protection, high shear force values

The PCB must be able to resist the higher temperatures which are occurring at the lead-free process. This issue should be discussed with the PCB-supplier. Generally, the wettability of tin-lead solder paste on the described surface plating is better compared to lead-free solder paste.



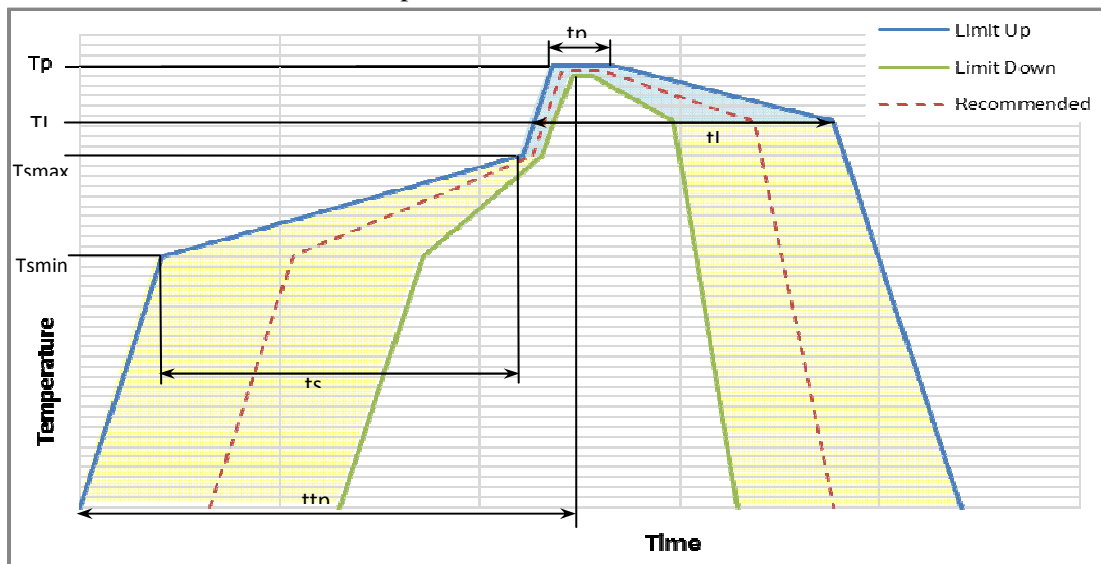
13.7. Solder paste

	Lead free
Solder paste	Sn/Ag/Cu

We recommend using only “no clean” solder paste in order to avoid the cleaning of the modules after assembly.

13.7.1. GE910 Solder reflow

Recommended solder reflow profile



Profile Feature	Pb-Free Assembly
Average ramp-up rate (TL to TP)	3°C/second max
Preheat	
– Temperature Min (Tsmin)	150°C
– Temperature Max (Tsmax)	200°C
– Time (min to max) (ts)	60-180 seconds
Tsmax to TL	
– Ramp-up Rate	3°C/second max
Time maintained above:	
– Temperature (TL)	217°C
– Time (tL)	60-150 seconds
Peak Temperature (Tp)	245 +0/-5°C
Time within 5°C of actual Peak Temperature (tp)	10-30 seconds
Ramp-down Rate	6°C/second max.
Time 25°C to Peak Temperature (ttp)	8 minutes max.



NOTE:

All temperatures refer to topside of the package, measured on the package body surface



WARNING:

The GE910 module withstands one reflow process only.



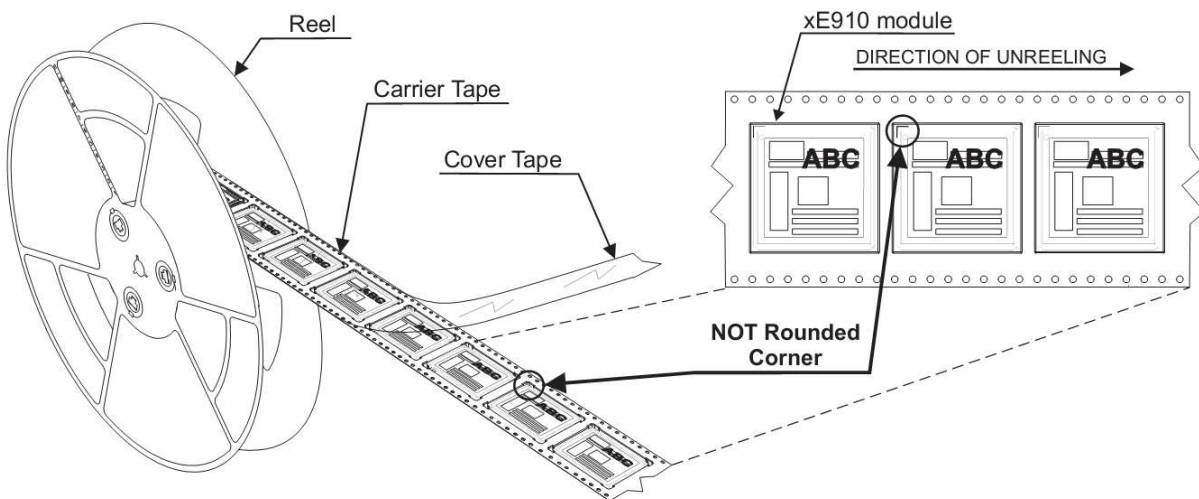
14. Packing system

Is possible to order in two packaging system:

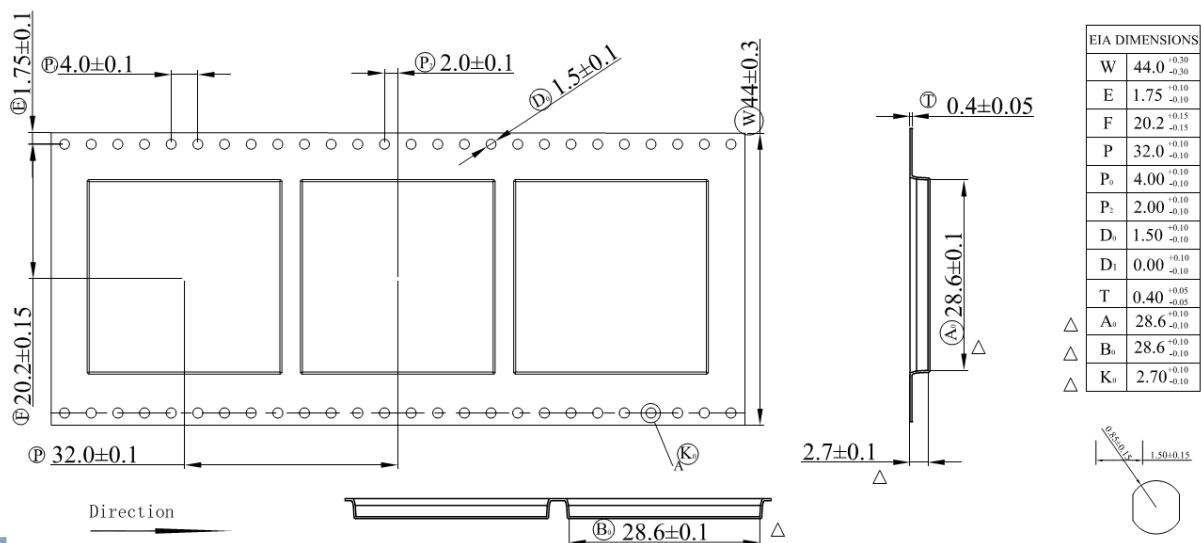
- Package on reel
- Package on tray

14.1. Packing on Reel

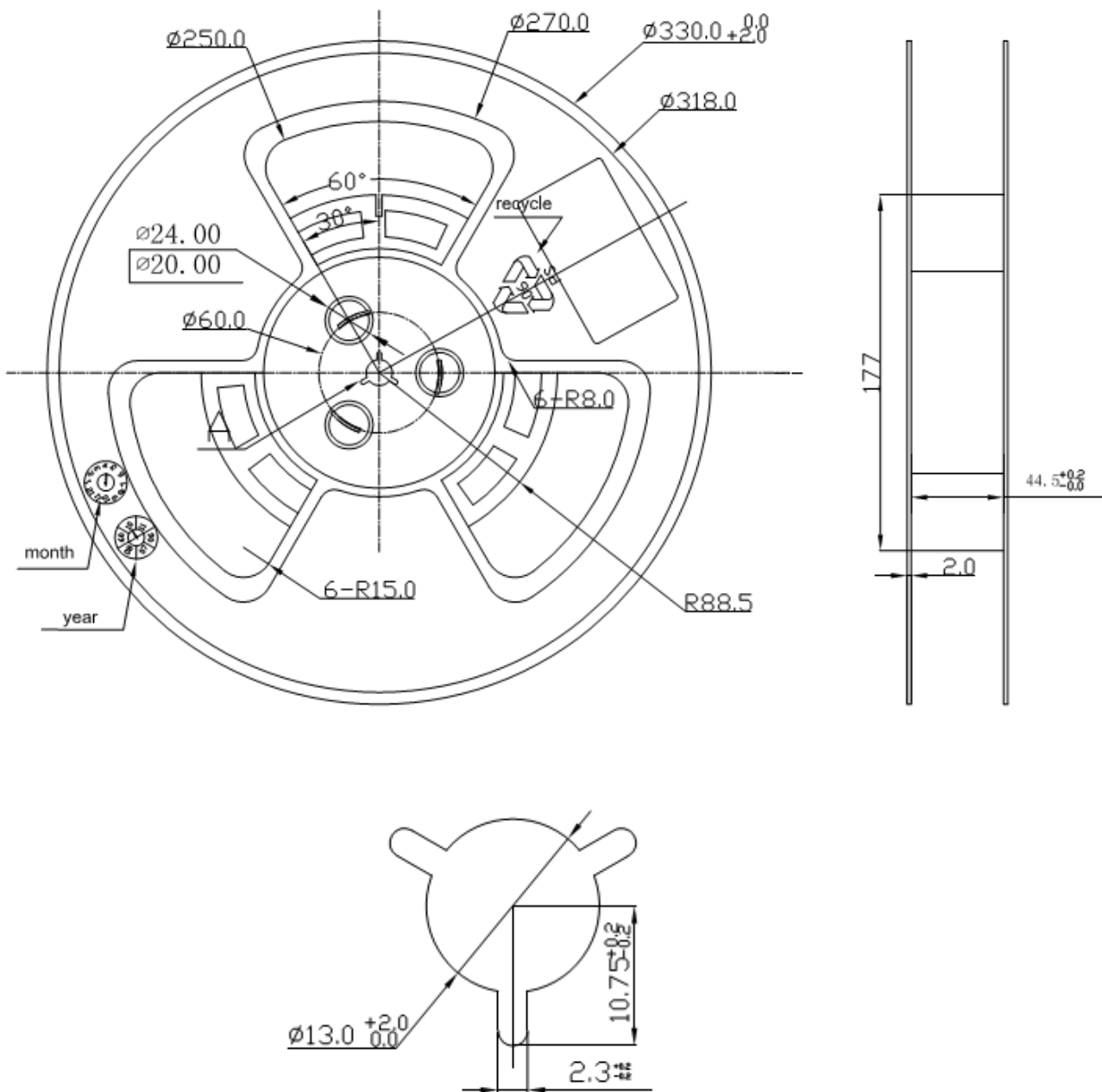
The GE910 can be packaged on reels of 200 pieces each.
See figure for module positioning into the carrier.



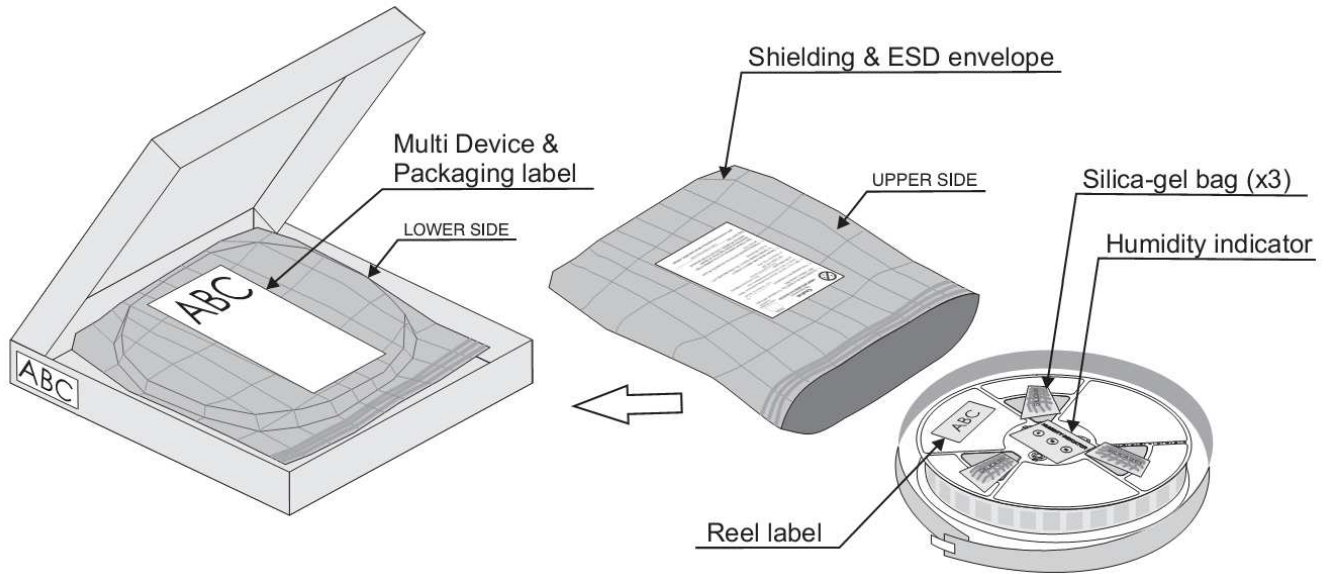
14.1.1. Carrier Tape Detail



14.1.2. Reel Detail

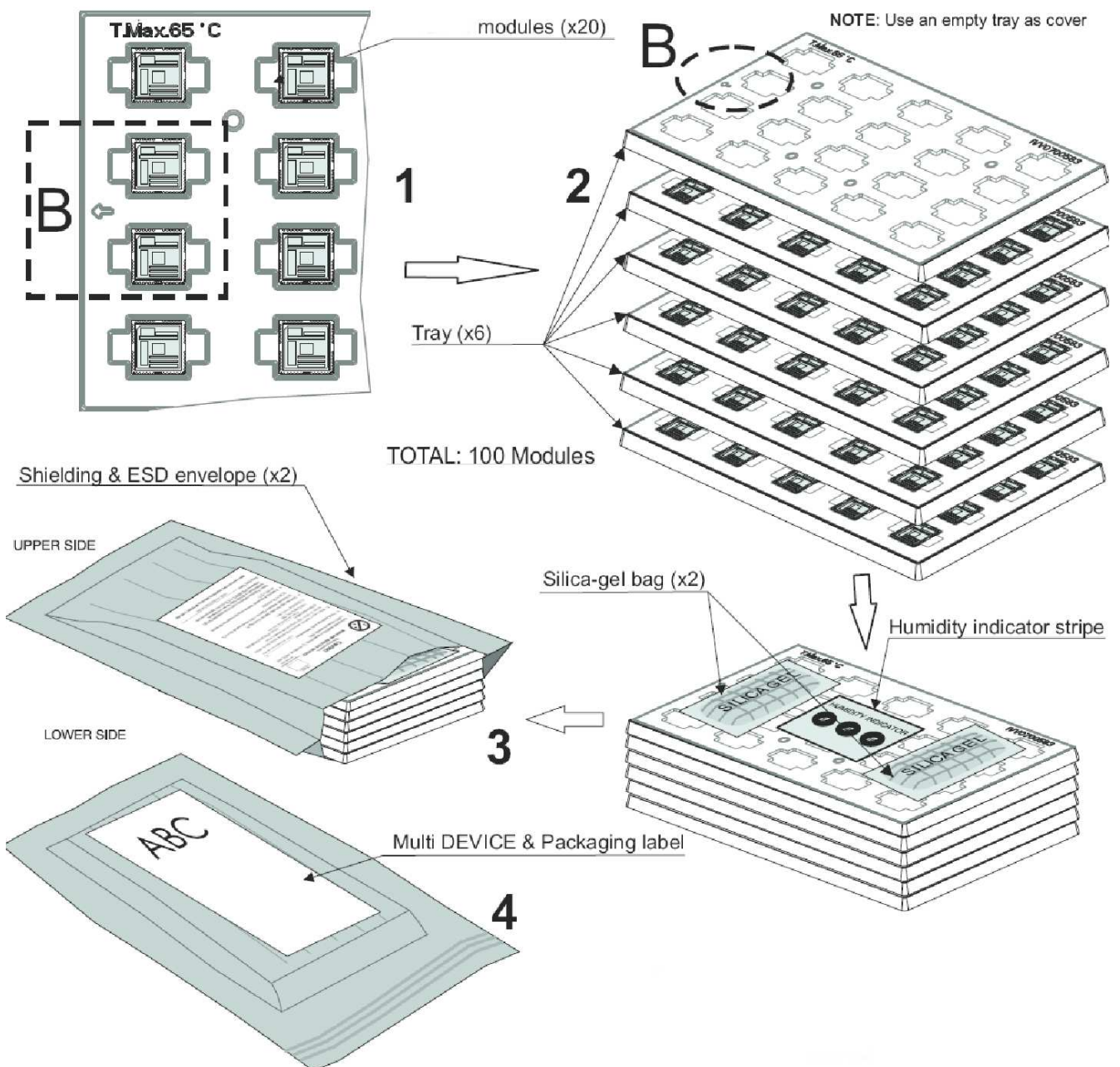


14.1.3. Packaging Detail



14.2. Packing on tray

The GE910 modules are packaged on trays of 20 pieces each. These trays can be used in SMT processes for pick & place handling.



14.3. Moisture sensibility

The level of moisture sensibility of the Product is “3”, according with standard IPC/JEDEC J-STD-020, take care of all the relative requirements for using this kind of components.

Moreover, the customer has to take care of the following conditions:

- a) The shelf life of the Product inside of the dry bag must be 12 months from the bag seal date, when stored in a non-condensing atmospheric environment of $<40^{\circ}\text{C} / 90\% \text{ RH}$
- b) Environmental condition during the production: $\leq 30^{\circ}\text{C} / 60\% \text{ RH}$ according to IPC/JEDEC J-STD-033A paragraph 5
- c) The maximum time between the opening of the sealed bag and the reflow process must be 168 hours if condition b) “IPC/JEDEC J-STD-033A paragraph 5.2” is respected
- d) Baking is required if conditions b) or c) are not respected
- e) Baking is required if the humidity indicator inside the bag indicates 10% RH or more.



15. Conformity Assessment Issues

European Union - Directive 1999/5/EC

The GE910-QUAD module has been evaluated against the essential requirements of the 1999/5/EC Directive.

Bulgarian	С настоящето Telit Communications S.p.A. декларира, че Quad Band GSM/GPRS module отговаря на съществените изисквания и другите приложими изисквания на Директива 1999/5/EC.
Czech	Telit Communications S.p.A. tímto prohlašuje, že tento Quad Band GSM/GPRS module je ve shodě se základními požadavky a dalšími příslušnými ustanoveními směrnice 1999/5/ES.
Danish	Undertegnede Telit Communications S.p.A. erklærer herved, at følgende udstyr Quad Band GSM/GPRS module overholder de væsentlige krav og øvrige relevante krav i direktiv 1999/5/EF.
Dutch	Hierbij verklaart Telit Communications S.p.A. dat het toestel Quad Band GSM/GPRS module in overeenstemming is met de essentiële eisen en de andere relevante bepalingen van richtlijn 1999/5/EG.
English	Hereby, Telit Communications S.p.A., declares that this Quad Band GSM/GPRS module is in compliance with the essential requirements and other relevant provisions of Directive 1999/5/EC.
Estonian	Käesolevaga kinnitab Telit Communications S.p.A. seadme Quad Band GSM/GPRS module vastavust direktiivi 1999/5/EÜ põhioletetele ja nimetatud direktiivist tulenevatele teistele asjakohastele sätetele.
German	Hiermit erklärt Telit Communications S.p.A., dass sich das Gerät Quad Band GSM/GPRS module in Übereinstimmung mit den grundlegenden Anforderungen und den übrigen einschlägigen Bestimmungen der Richtlinie 1999/5/EG befindet.
Greek	ΜΕ ΤΗΝ ΠΑΡΟΥΣΑ Telit Communications S.p.A. ΔΗΛΩΝΕΙ ΟΤΙ Quad Band GSM/GPRS module ΣΥΜΜΟΡΦΩΝΕΤΑΙ ΠΡΟΣ ΤΙΣ ΟΥΣΙΩΔΕΙΣ ΑΠΑΙΤΗΣΕΙΣ ΚΑΙ ΤΙΣ ΛΟΙΠΕΣ ΣΧΕΤΙΚΕΣ ΔΙΑΤΑΞΕΙΣ ΤΗΣ ΟΔΗΓΙΑΣ 1999/5/EK.
Hungarian	Alulírott, Telit Communications S.p.A. nyilatkozom, hogy a Quad Band GSM/GPRS module megfelel a vonatkozó alapvető követelményeknek és az 1999/5/EC irányelv egyéb előírásainak.
Finnish	Telit Communications S.p.A. vakuuttaa täten että Quad Band GSM/GPRS module tyyppinen laite on direktiivin 1999/5/EY oleellisten vaatimusten ja sitä koskevien direktiivin muiden ehtojen mukainen.
French	Par la présente Telit Communications S.p.A. déclare que l'appareil Quad Band GSM/GPRS module est conforme aux exigences essentielles et aux autres dispositions pertinentes de la directive 1999/5/CE.
Icelandic	Hér með lýsir Telit Communications S.p.A. yfir því að Quad Band GSM/GPRS module er í samræmi við grunnkröfur og aðrar kröfur, sem gerðar eru í tilskipun 1999/5/EC
Italian	Con la presente Telit Communications S.p.A. dichiara che questo Quad Band GSM/GPRS module è conforme ai requisiti essenziali ed alle altre disposizioni pertinenti stabilite dalla direttiva 1999/5/CE.



Latvian	Ar šo Telit Communications S.p.A. deklarē, ka Quad Band GSM/GPRS module atbilst Direktīvas 1999/5/EK būtiskajām prasībām un citiem ar to saistītajiem noteikumiem.
Lithuanian	Šiuo Telit Communications S.p.A. deklaruoja, kad šis Quad Band GSM/GPRS module atitinka esminius reikalavimus ir kitas 1999/5/EB Direktyvos nuostatas.
Maltese	Hawnhekk, Telit Communications S.p.A., jiddikjara li dan Quad Band GSM/GPRS module jikkonforma mal-htigijiet essenzjali u ma provvedimenti oħrajn relevanti li hemm fid-Direttiva 1999/5/EC.
Norwegian	Telit Communications S.p.A. erklærer herved at utstyret Quad Band GSM/GPRS module er i samsvar med de grunnleggende krav og øvrige relevante krav i direktiv 1999/5/EF.
Polish	Niniejszym Telit Communications S.p.A. oświadcza, że Quad Band GSM/GPRS module jest zgodny z zasadniczymi wymogami oraz pozostałymi stosownymi postanowieniami Dyrektywy 1999/5/EC
Portuguese	Telit Communications S.p.A. declara que este Quad Band GSM/GPRS module está conforme com os requisitos essenciais e outras disposições da Directiva 1999/5/CE.
Slovak	Telit Communications S.p.A. týmto vyhlasuje, že Quad Band GSM/GPRS module splňa základné požiadavky a všetky príslušné ustanovenia Smernice 1999/5/ES.
Slovenian	Telit Communications S.p.A. izjavlja, da je ta Quad Band GSM/GPRS module v skladu z bistvenimi zahtevami in ostalimi relevantnimi določili direktive 1999/5/ES.
Spanish	Por medio de la presente Telit Communications S.p.A. declara que el Quad Band GSM/GPRS module cumple con los requisitos esenciales y cualesquiera otras disposiciones aplicables o exigibles de la Directiva 1999/5/CE.
Swedish	Härmed intygar Telit Communications S.p.A. att denna Quad Band GSM/GPRS module står i överensstämmelse med de väsentliga egenskapskrav och övriga relevanta bestämmelser som framgår av direktiv 1999/5/EG.

In order to satisfy the essential requirements of 1999/5/EC Directive, GE910-QUAD module is compliant with the following standards:

RF spectrum use (R&TTE art. 3.2)	EN 301 511 V9.0.2; EN 62311:2008
EMC (R&TTE art. 3.1b)	EN 301 489-1 V1.9.2 EN 301 489-7 V1.3.1
Health & Safety (R&TTE art. 3.1a)	EN 60950-1:2006 + A11:2009 + A1:2010 + A12:2011 + AC:2011



The conformity assessment procedure referred to in Article 10 and detailed in Annex IV of Directive 1999/5/EC has been followed with the involvement of the following Notified Body

Notified Body:
AT4 wireless, S.A.
Parque Tecnológico de Andalucía
C/ Severo Ochoa 2
29590 Campanillas – Málaga
SPAIN
Notified Body No: 1909

Thus, the following marking is included in the product:

CE 1909

The full declaration of conformity can be found on the following address:

<http://www.telit.com/>

There is no restriction for the commercialisation of the GE910-QUAD module in all the countries of the European Union.

Final product integrating this module must be assessed against essential requirements of the 1999/5/EC (R&TTE) Directive. It should be noted that assessment does not necessarily lead to testing. Telit Communications S.p.A. recommends carrying out the following assessments:

RF spectrum use (R&TTE art. 3.2)	It will depend on the antenna used on the final product.
EMC (R&TTE art. 3.1b)	Testing
Health & Safety (R&TTE art. 3.1a)	Testing



FCC/IC Regulatory notices

Modification statement

Telit has not approved any changes or modifications to this device by the user. Any changes or modifications could void the user's authority to operate the equipment.

Telit n'approuve aucune modification apportée à l'appareil par l'utilisateur, quelle qu'en soit la nature. Tout changement ou modification peuvent annuler le droit d'utilisation de l'appareil par l'utilisateur.

Interference statement

This device complies with Part 15 of the FCC Rules and Industry Canada licence-exempt RSS standard(s). Operation is subject to the following two conditions: (1) this device may not cause interference, and (2) this device must accept any interference, including interference that may cause undesired operation of the device.

Le présent appareil est conforme aux CNR d'Industrie Canada applicables aux appareils radio exempts de licence. L'exploitation est autorisée aux deux conditions suivantes : (1) l'appareil ne doit pas produire de brouillage, et (2) l'utilisateur de l'appareil doit accepter tout brouillage radioélectrique subi, même si le brouillage est susceptible d'en compromettre le fonctionnement.

Wireless notice

This equipment complies with FCC and IC radiation exposure limits set forth for an uncontrolled environment. The antenna should be installed and operated with minimum distance of 20 cm between the radiator and your body. Antenna gain must be below:

Frequency band	Antenna gain
GSM 850	6.43 dBi
PCS 1900	3.00 dBi

This transmitter must not be co-located or operating in conjunction with any other antenna or transmitter.

Cet appareil est conforme aux limites d'exposition aux rayonnements de la IC pour un environnement non contrôlé. L'antenne doit être installé de façon à garder une distance minimale de 20 centimètres entre la source de rayonnements et votre corps. Gain de l'antenne doit être ci-dessous:

Bande de fréquence	Gain de l'antenne
GSM 850	6.43 dBi
PCS 1900	3.00 dBi

L'émetteur ne doit pas être colocalisé ni fonctionner conjointement avec à autre antenne ou autre émetteur.



FCC Class B digital device notice

This equipment has been tested and found to comply with the limits for a Class B digital device, pursuant to part 15 of the FCC Rules. These limits are designed to provide reasonable protection against harmful interference in a residential installation. This equipment generates, uses and can radiate radio frequency energy and, if not installed and used in accordance with the instructions, may cause harmful interference to radio communications. However, there is no guarantee that interference will not occur in a particular installation. If this equipment does cause harmful interference to radio or television reception, which can be determined by turning the equipment off and on, the user is encouraged to try to correct the interference by one or more of the following measures:

- Reorient or relocate the receiving antenna.
- Increase the separation between the equipment and receiver.
- Connect the equipment into an outlet on a circuit different from that to which the receiver is connected.
- Consult the dealer or an experienced radio/TV technician for help.

Labelling Requirements for the Host device

The host device shall be properly labelled to identify the modules within the host device. The certification label of the module shall be clearly visible at all times when installed in the host device, otherwise the host device must be labelled to display the FCC ID and IC of the module, preceded by the words "Contains transmitter module", or the word "Contains", or similar wording expressing the same meaning, as follows:

Contains FCC ID: RI7GE910Q3

Contains IC: 5131A-GE910Q3

L'appareil hôte doit être étiqueté comme il faut pour permettre l'identification des modules qui s'y trouvent. L'étiquette de certification du module donné doit être posée sur l'appareil hôte à un endroit bien en vue en tout temps. En l'absence d'étiquette, l'appareil hôte doit porter une étiquette donnant le FCC ID et le IC du module, précédé des mots « Contient un module d'émission », du mot « Contient » ou d'une formulation similaire exprimant le même sens, comme suit :

Contient FCC ID: RI7GE910Q3

Contient IC: 5131A-GE910Q3

CAN ICES-3 (B) / NMB-3 (B)

This Class B digital apparatus complies with Canadian ICES-003.

Cet appareil numérique de classe B est conforme à la norme canadienne ICES-003.



16. SAFETY RECOMMENDATIONS

READ CAREFULLY

Be sure the use of this product is allowed in the country and in the environment required. The use of this product may be dangerous and has to be avoided in the following areas:

- Where it can interfere with other electronic devices in environments such as hospitals, airports, aircrafts, etc
- Where there is risk of explosion such as gasoline stations, oil refineries, etc

It is responsibility of the user to enforce the country regulation and the specific environment regulation.

Do not disassemble the product; any mark of tampering will compromise the warranty validity. We recommend following the instructions of the hardware user guides for a correct wiring of the product. The product has to be supplied with a stabilized voltage source and the wiring has to be conforming to the security and fire prevention regulations.

The product has to be handled with care, avoiding any contact with the pins because electrostatic discharges may damage the product itself. Same cautions have to be taken for the SIM, checking carefully the instruction for its use. Do not insert or remove the SIM when the product is in power saving mode.

The system integrator is responsible of the functioning of the final product; therefore, care has to be taken to the external components of the module, as well as of any project or installation issue, because the risk of disturbing the GSM network or external devices or having impact on the security. Should there be any doubt, please refer to the technical documentation and the regulations in force.

Every module has to be equipped with a proper antenna with specific characteristics. The antenna has to be installed with care in order to avoid any interference with other electronic devices and has to guarantee a minimum distance from the body (20 cm). In case of this requirement cannot be satisfied, the system integrator has to assess the final product against the SAR regulation.

The European Community provides some Directives for the electronic equipments introduced on the market. All the relevant information's are available on the European Community website:

<http://ec.europa.eu/enterprise/sectors/rtte/documents/>

The text of the Directive 99/05 regarding telecommunication equipments is available, while the applicable Directives (Low Voltage and EMC) are available at:

<http://ec.europa.eu/enterprise/sectors/electrical>



17. Document History

Revision	Date	Changes
Rev.0	2011-11-11	First Release Rev.0 Preliminary 1
Rev.1	2012-02-27	First Release Rev.1
Rev.2	2012-06-07	Added chapter 11.7 ADC Converter – renaming pin RESET# in HW SHUTDOWN* Chapter 5.2 Power consumption
Rev.3	2012-06-20	Added chapter 12.3 inhibit area around the RF pins
Rev.4	2012-06-25	Updated chapter 15 Conformity Assessment Issues
Rev.5	2012-06-28	Minor changes
Rev.6	2012-07-27	Chapter 3.2. The pin E13 is RESERVED; chapter 3.1. – pin R13, pinR12 and B1
Rev.7	2012-10-12	Changed name of Chapter 10.1. from AF_IN to MIC, added a note about USB 2.0 FS
Rev.8	2012-10-30	Updated chapter 10.3
Rev.9	2013-03-01	Updated GNSS features, Pin-out, DVI, Power Consumptions plots, Reel Packaging
Rev.10	2013-03-25	Updated the default NMEA speed to 115200; some fields on GNSS variant.
Rev.11	2013-03-26	Updated with GE910-QUAD V3 variant;
Rev.11bis	2013-10-15	Updated Chapter 15 with correct antenna gain values and Labelling Requirements for the Host device
Rev.12	2013-10-25	Updated Chapter 15 with correct antenna gain values

