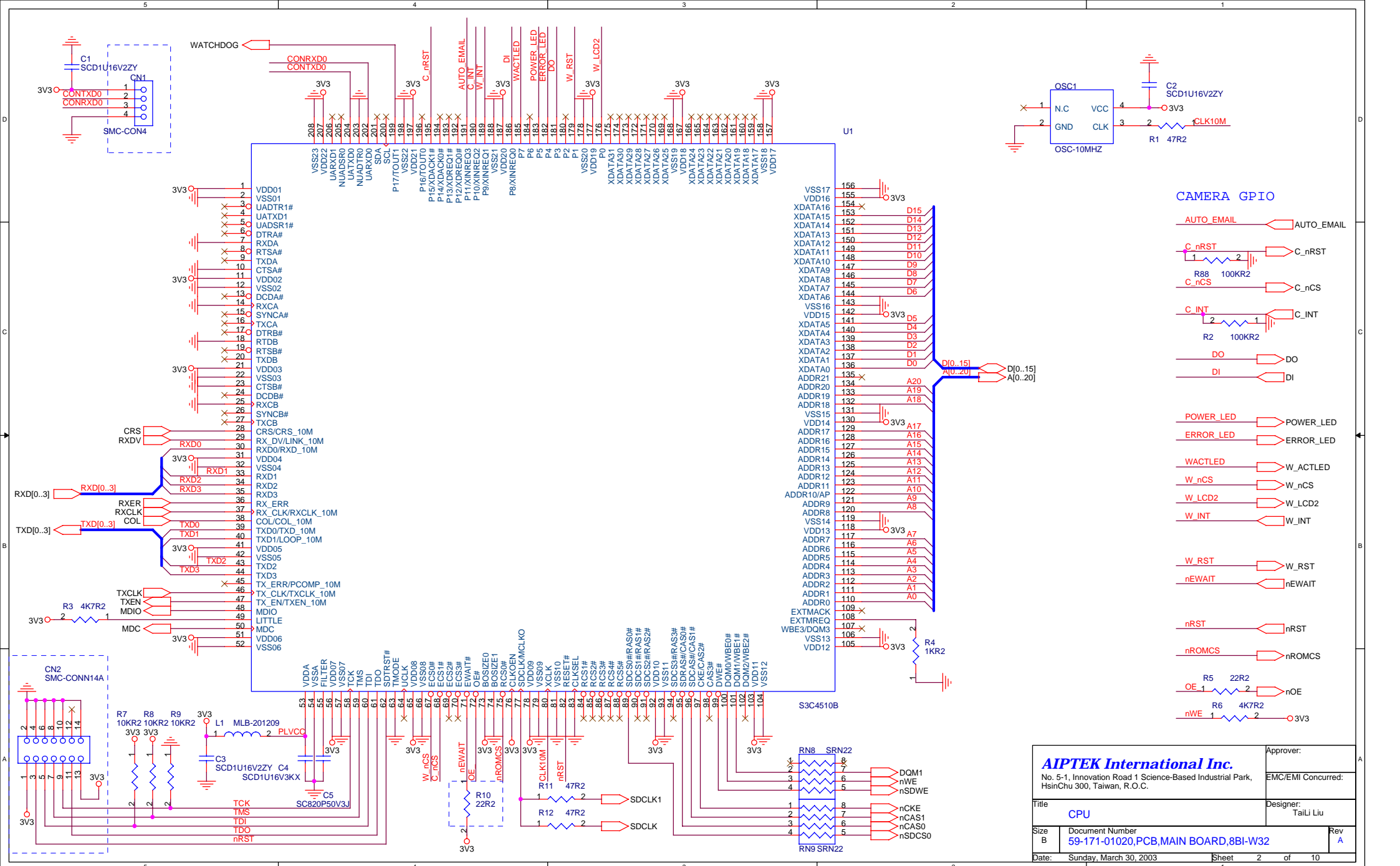
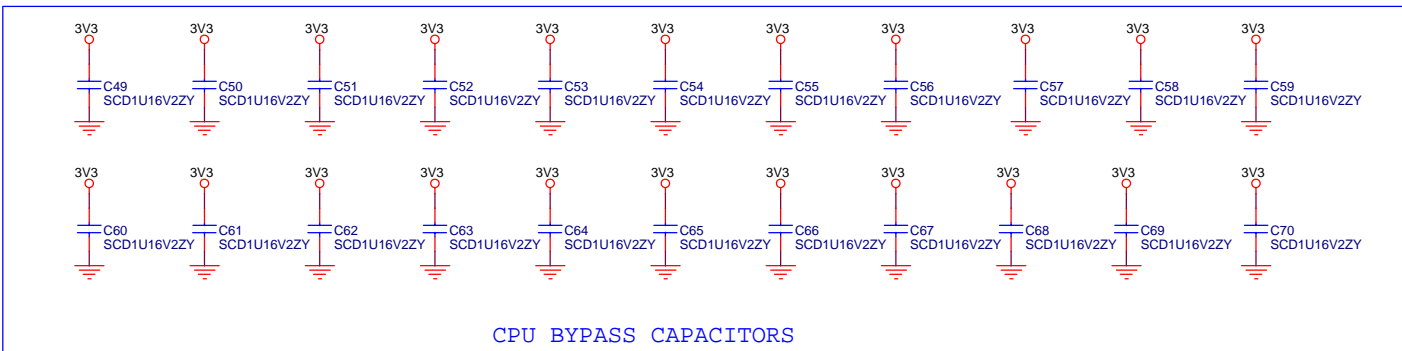
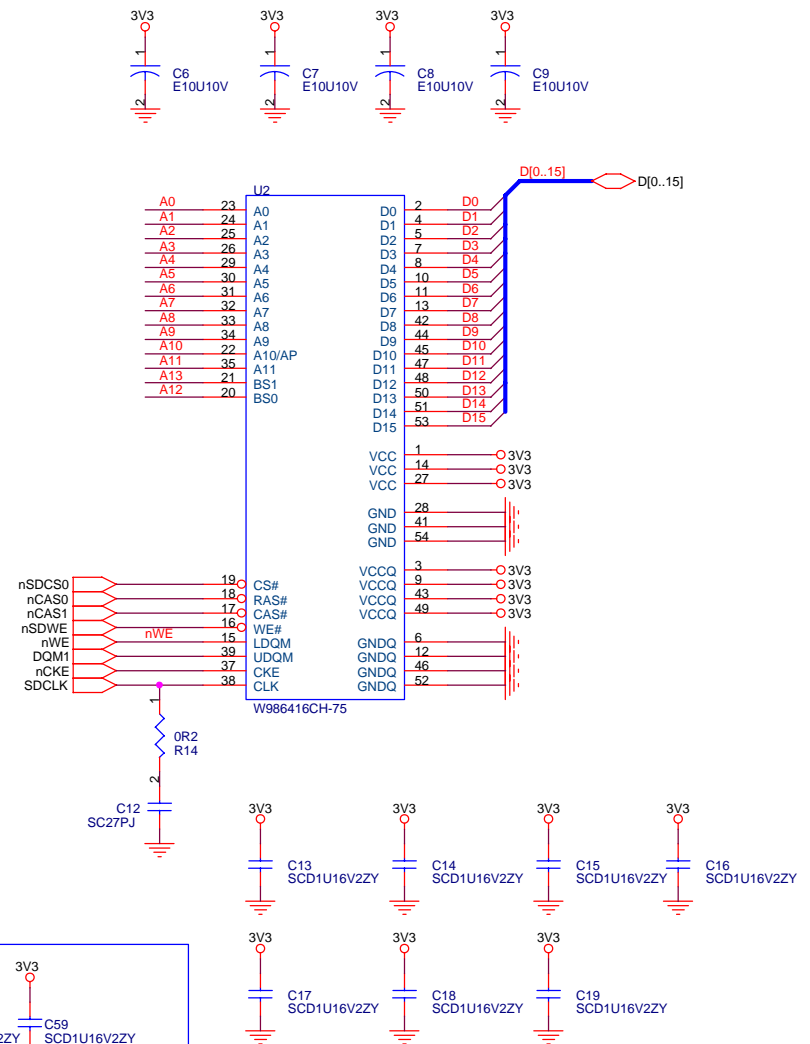
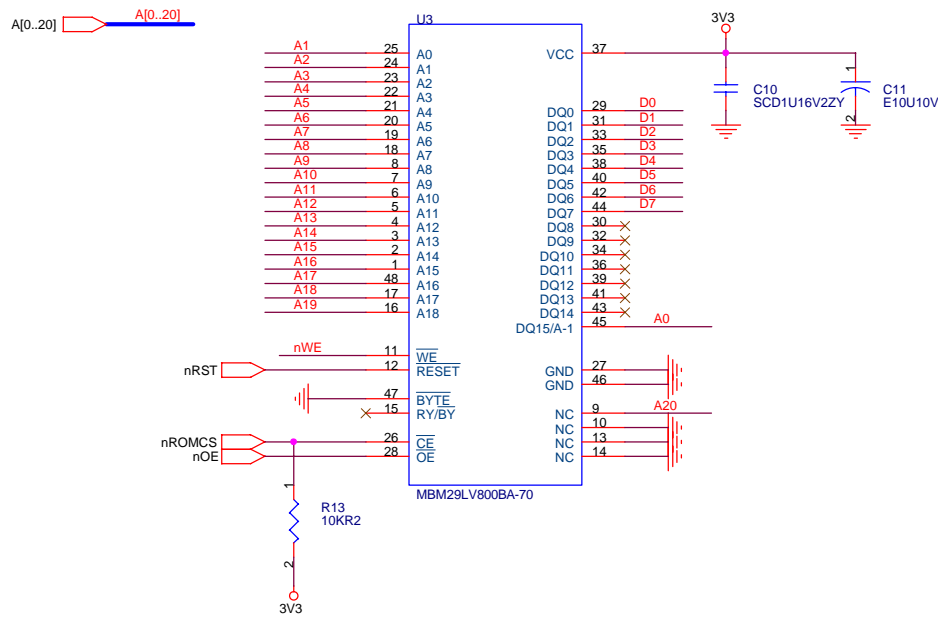


<b>AIPTEK International Inc.</b>		Approver:
No. 5-1, Innovation Road 1 Science-Based Industrial Park, HsinChu 300, Taiwan, R.O.C.		EMC/EMI Concurred:
Title <b>BLOCK DIAGRAM</b>		Designer: TaiLi Liu
Size B	Document Number <b>59-171-01020,PCB,MAIN BOARD,8BI-W32</b>	Rev <b>A</b>
Date: Sunday, March 30, 2003	Sheet 1	of 11

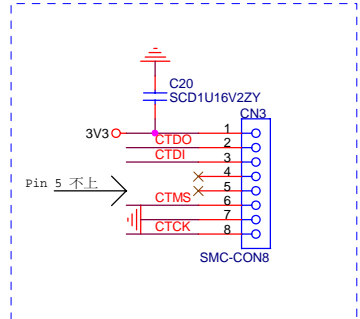
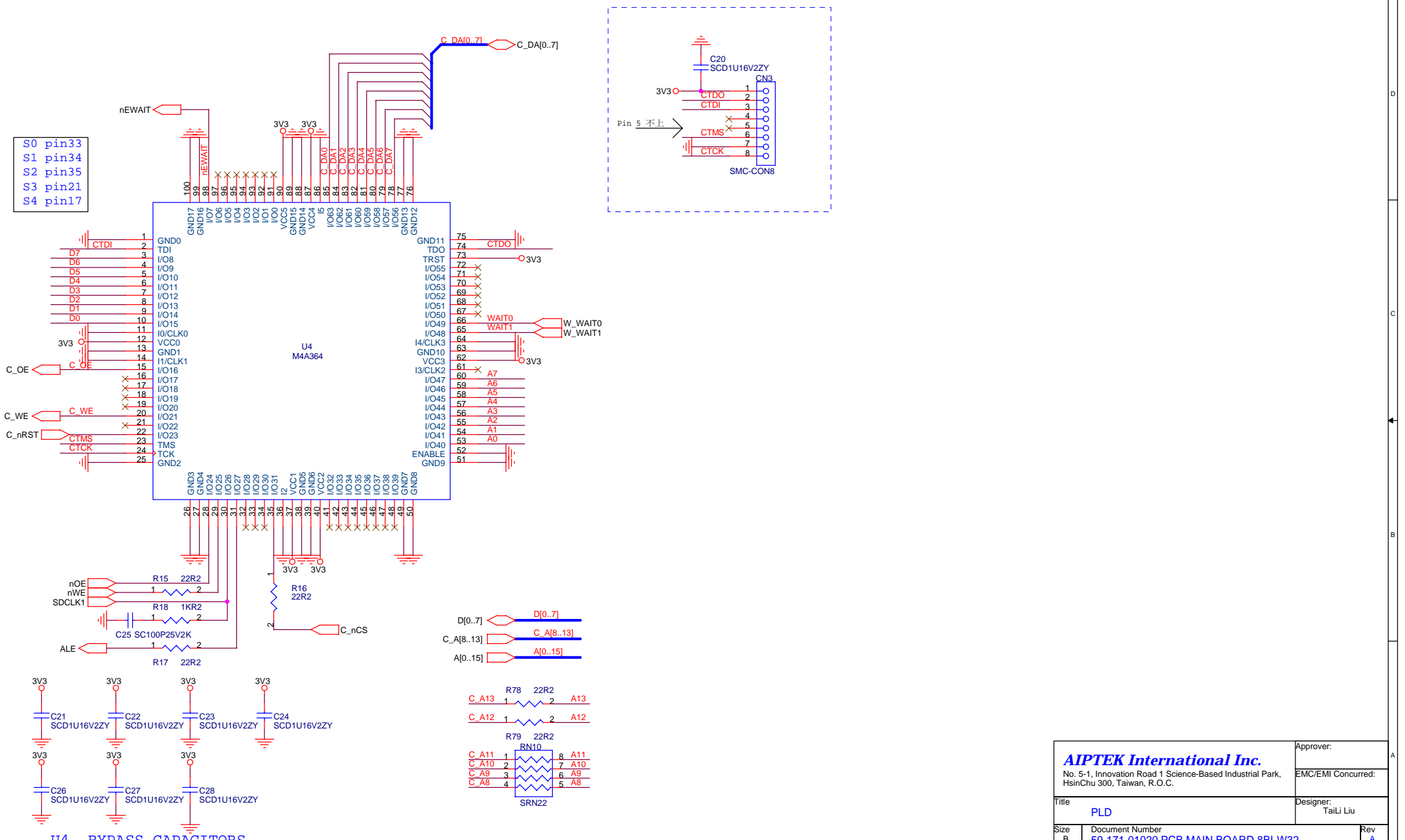


<b>AIPTEK International Inc.</b> No. 5-1, Innovation Road 1 Science-Based Industrial Park, HsinChu 300, Taiwan, R.O.C.		Approver:
		EMC/EMI Concurred:
Title <b>CPU</b>		Designer: TaiLi Liu
Size B	Document Number <b>59-171-01020,PCB,MAIN BOARD,8BI-W32</b>	Rev A
Date: Sunday, March 30, 2003	Sheet 2 of 10	



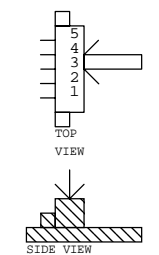
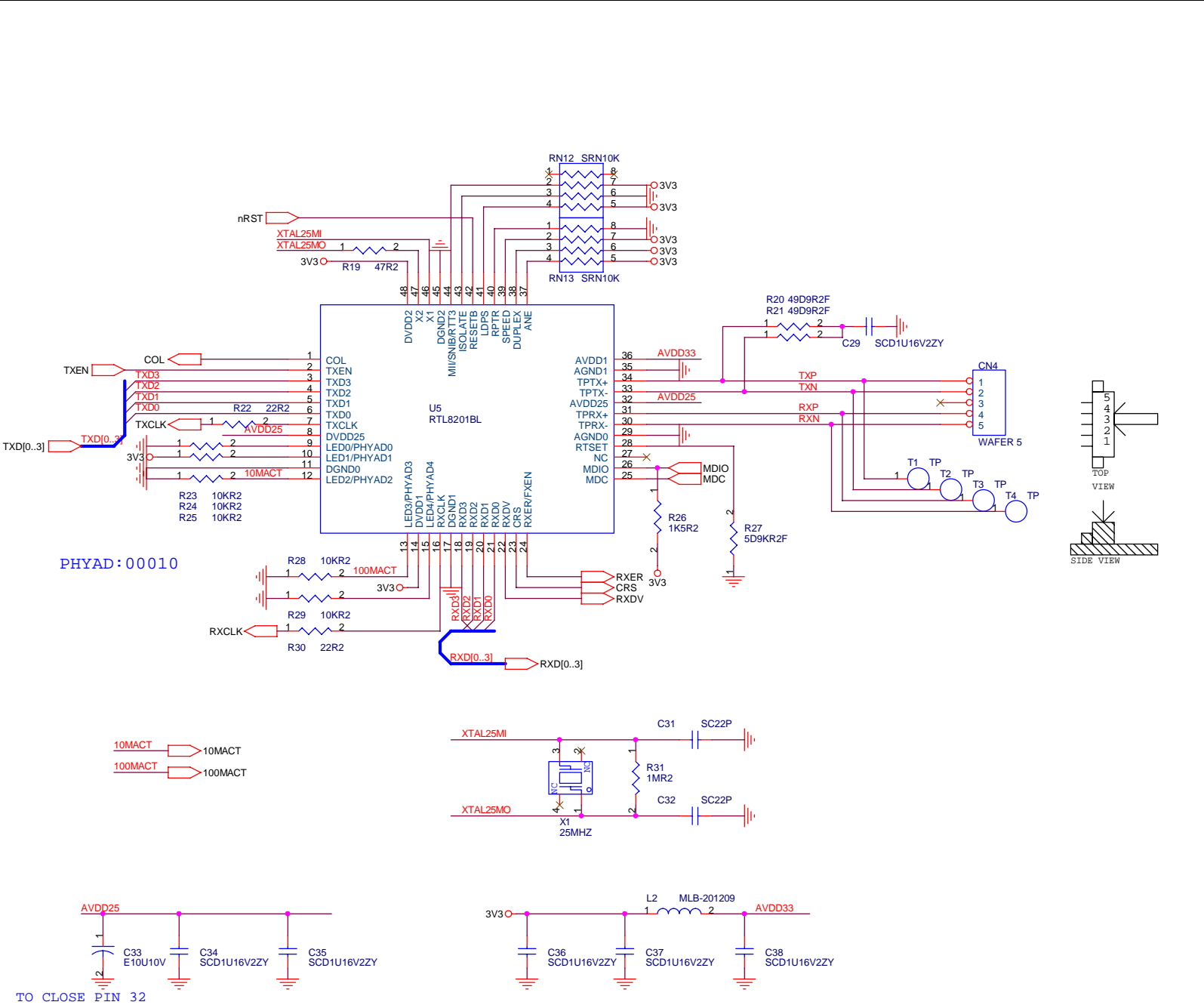
<b>AIPTEK International Inc.</b>		Approver:
No. 5-1, Innovation Road 1 Science-Based Industrial Park, HsinChu 300, Taiwan, R.O.C.		EMC/EMI Concurred:
Title <b>MEMORY</b>		Designer: TaiLiu Liu
Size B	Document Number <b>59-171-01020,PCB,MAIN BOARD,8BI-W32</b>	Rev A
Date: Sunday, March 30, 2003	Sheet 3	of 10

- S0 pin33
- S1 pin34
- S2 pin35
- S3 pin21
- S4 pin17

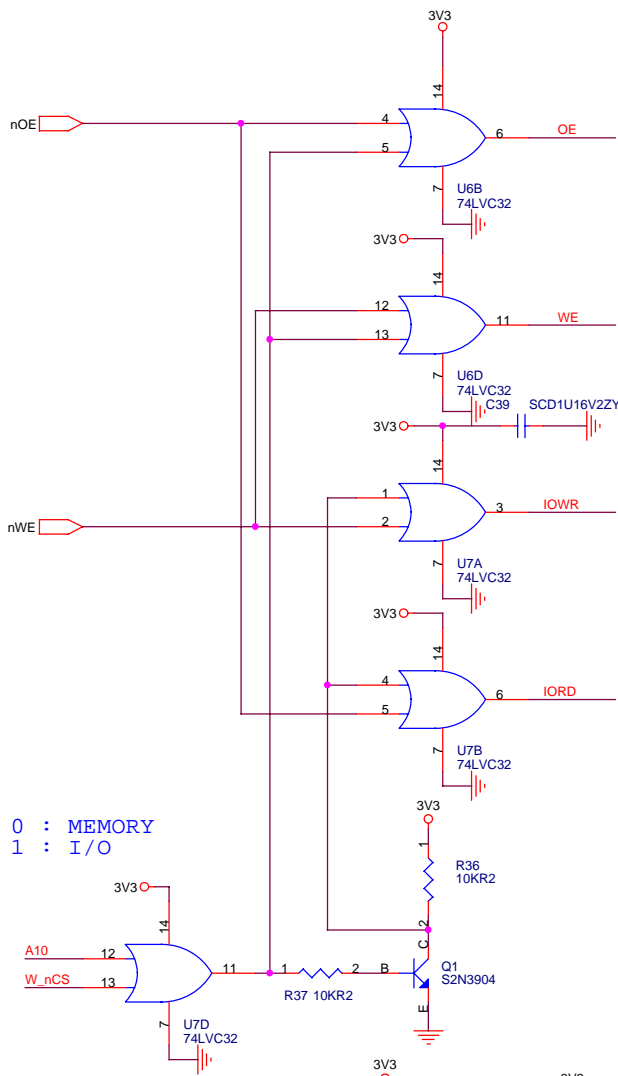


U4 BYPASS CAPACITORS

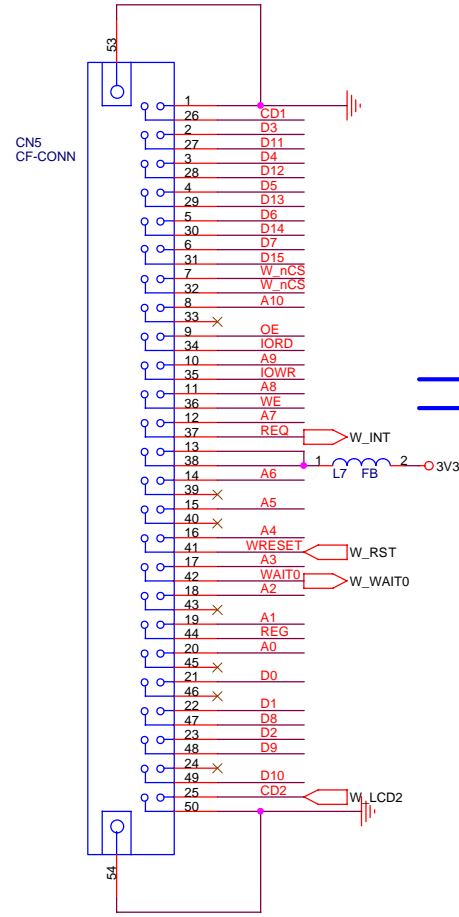
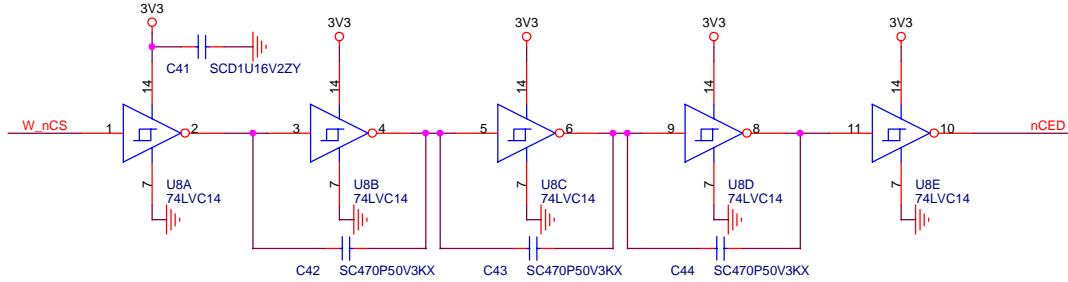
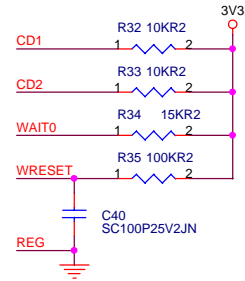
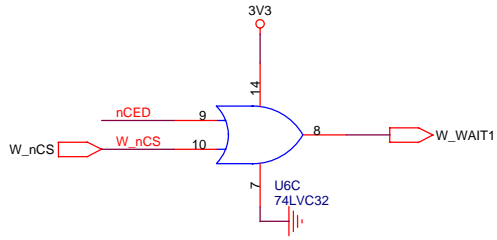
<b>AIPTEK International Inc.</b> No. 5-1, Innovation Road 1 Science-Based Industrial Park, HsinChu 300, Taiwan, R.O.C.		Approver: EMC/EMI Concurred:
Title <b>PLD</b>		Designer: TaiLi Liu
Size B	Document Number <b>59-171-01020,PCB,MAIN BOARD,8BI-W32</b>	Rev <b>A</b>
Date: Sunday, March 30, 2003		Sheet 4 of 10



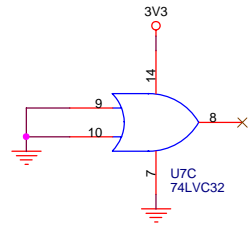
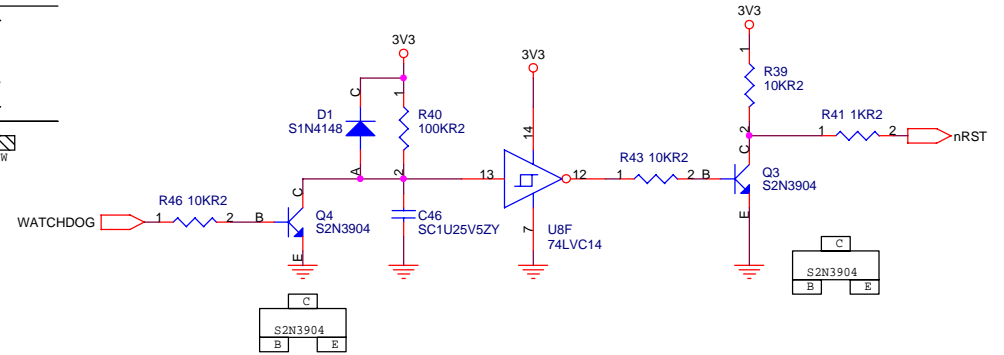
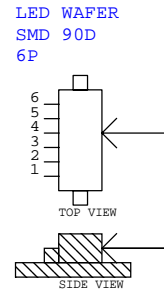
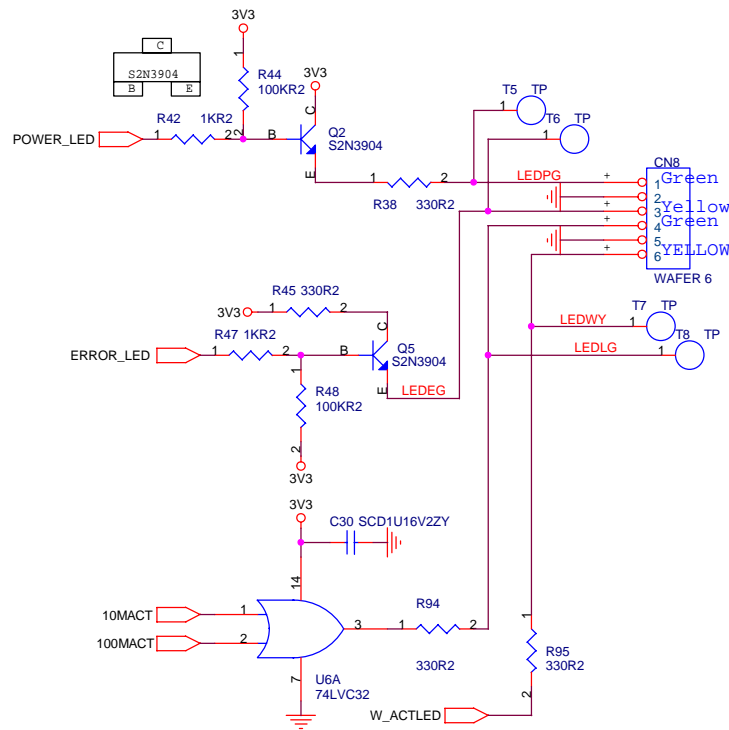
<b>AIPTEK International Inc.</b> No. 5-1, Innovation Road 1 Science-Based Industrial Park, HsinChu 300, Taiwan, R.O.C.		Approver: EMC/EMI Concurred:
Title <b>ETHERNET</b>		Designer: TaiLi Liu
Size B	Document Number <b>59-171-01020,PCB,MAIN BOARD,8BI-W32</b>	Rev <b>A</b>
Date: Sunday, March 30, 2003		Sheet 5 of 10



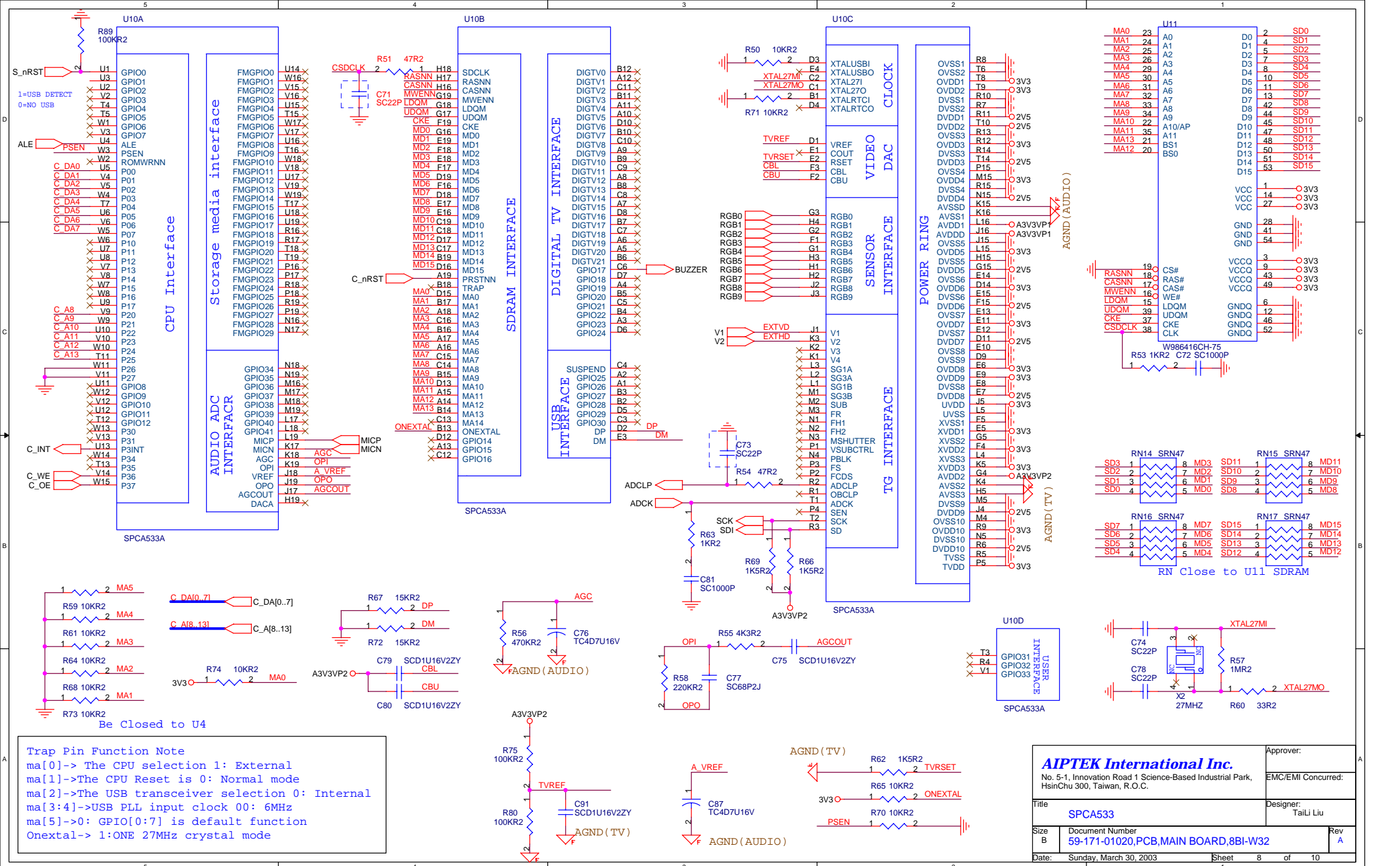
0 : MEMORY  
1 : I/O



<b>AIPTEK International Inc.</b>		Approver:
No. 5-1, Innovation Road 1 Science-Based Industrial Park, HsinChu 300, Taiwan, R.O.C.		EMC/EMI Concurd:
Title <b>CF INTERFACE</b>		Designer: TaiLi Liu
Size B	Document Number <b>59-171-01020,PCB,MAIN BOARD,8BI-W32</b>	Rev A
Date: Sunday, March 30, 2003	Sheet 6	of 10

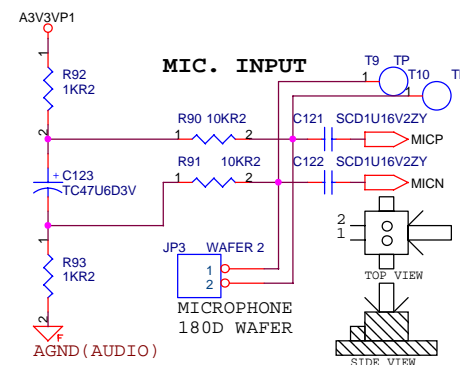
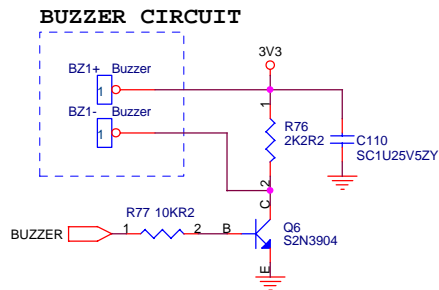
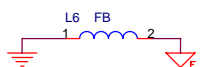
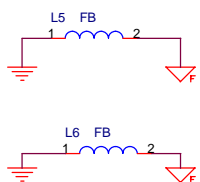
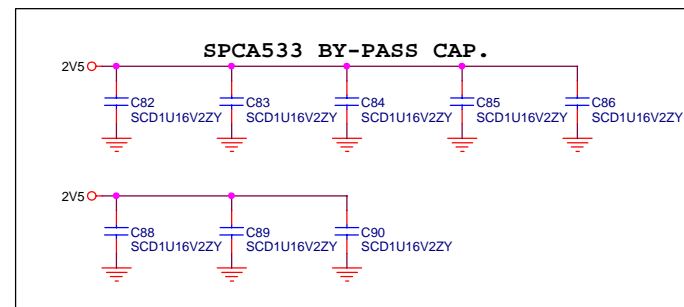
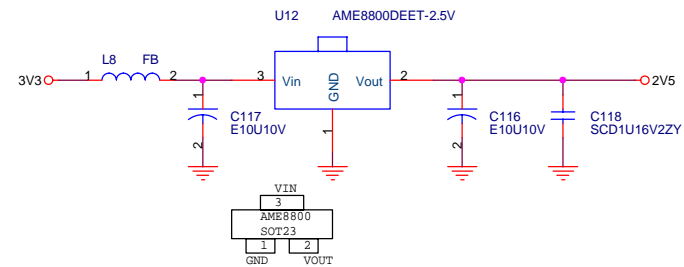
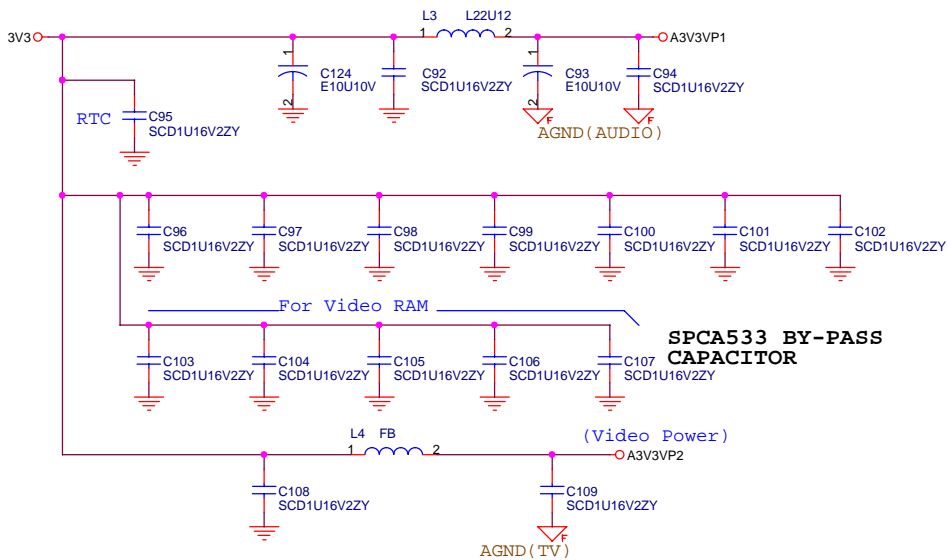


<b>AIPTEK International Inc.</b>		Approver:	
No. 5-1, Innovation Road 1 Science-Based Industrial Park, HsinChu 300, Taiwan, R.O.C.		EMC/EMI Concurred:	
Title <b>LED</b>		Designer: TaiLi Liu	
Size B	Document Number <b>59-171-01020,PCB,MAIN BOARD,8BI-W32</b>	Rev A	
Date: Sunday, March 30, 2003	Sheet 7	of	10



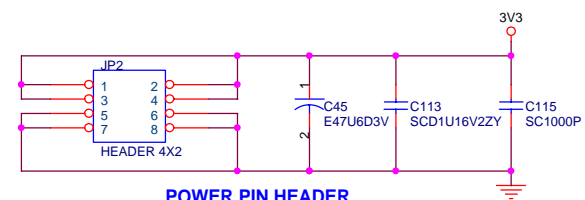
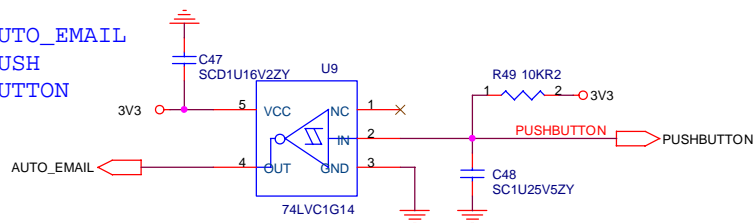
<b>AIPTEK International Inc.</b> No. 5-1, Innovation Road 1 Science-Based Industrial Park, HsinChu 300, Taiwan, R.O.C.		Approver: EMC/EMI Concurred:
Title <b>SPCA533</b>		Designer: TaiLi Liu
Size B	Document Number <b>59-171-01020,PCB,MAIN BOARD,8BI-W32</b>	Rev A
Date: Sunday, March 30, 2003		Sheet 8 of 10



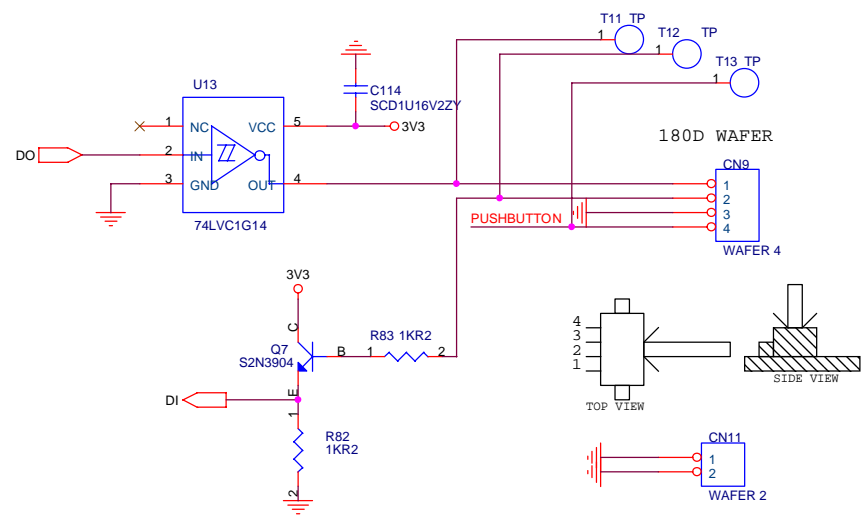


<b>AIPTEK International Inc.</b>		Approver:
No. 5-1, Innovation Road 1 Science-Based Industrial Park, HsinChu 300, Taiwan, R.O.C.		EMC/EMI Concurred:
Title <b>SPCA533A</b>		Designer: TaiLi Liu
Size B	Document Number <b>59-171-01020,PCB,MAIN BOARD,8BI-W32</b>	Rev A
Date: Sunday, March 30, 2003	Sheet 9	of 10

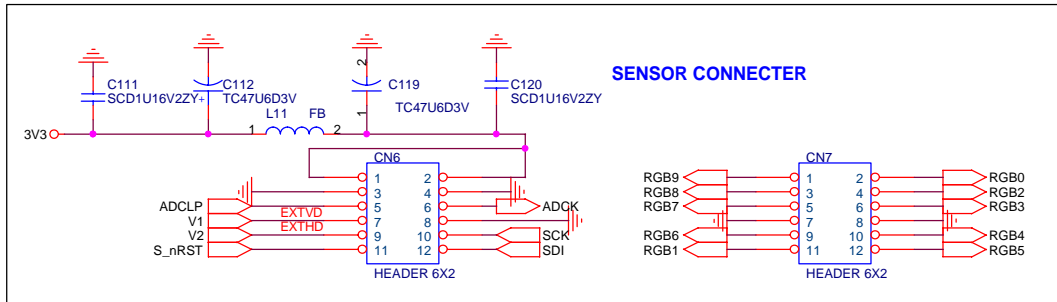
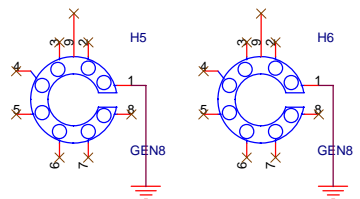
AUTO\_EMAIL  
PUSH  
BUTTON



POWER PIN HEADER



	DI	DO	PUSH BUTTON
CPU SIDE	Falling Edge	HIGH LEVEL	RISING EDGE



SENSOR CONNECTER

<b>AIPTEK International Inc.</b> No. 5-1, Innovation Road 1 Science-Based Industrial Park, HsinChu 300, Taiwan, R.O.C.		Approver:
Title <b>LED &amp; PUSH BUTTON &amp; POWER</b>		EMC/EMI Concurred:
Size B	Document Number <b>59-171-01020,PCB,MAIN BOARD,8BI-W32</b>	Designer: TaiLi Liu
Date: Sunday, March 30, 2003	Sheet 10 of 10	Rev A