

TRANSMITTER

INSTRUCTIONS

1. IMPORTANT INFORMATION

NOTE: This transmitter only Use for intellicode Garage Door Openers that use scroll code technology. There are no security code switches inside the door Operators or Transmitters. The frequency of receiver is 310MHz, the receiver can receive radio signal from the Transmitter far from eighty meters in clear area.



WARNING



Moving Door can cause serious injury or death.

- DO NOT install transmitter unless the door operator' s safety reverse works as required by the door operators manual.
- Keep people clear of opening while door is moving.
- DO NOT allow children to play with the transmitter or door operator.

If safety reverse does not work properly:

- Close door then disconnect operator using the manual release handle.
- DO NOT use transmitter or door operator.
- Refer to Door and Door Operator Owner's Manuals before attempting any repairs.

2. TO PROGRAM THE RECEIVER

A different Transmitter code is set at the factory for each Transmitter.

Step 2-1: Check the Transmitter and the Transmitter battery powered, and then locate the Transmitter on the power head of your door operator.

When press the Transmitter button, the light of the Transmitter should blink once. (fig 1)

Step 2-2: Press and release the learn code button of receiver.

The light (green) will lighten.(fig 2)

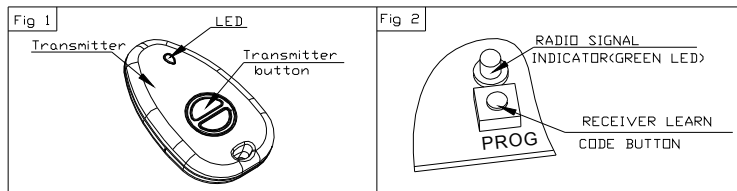
Step 2-3: Press a Transmitter button over 1 second, the receiver radio signal indicator will go out. If the receiver has learned five transmitters, the receiver radio signal indicator will blink once and go out (the buzzer will ring eight times).

Step 2-4: Press the same button of the Transmitter, the Radio Signal Indicator will blink once and go out (the Transmitter code is now stored in Receiver memory).

NOTE: If a Transmitter code is not confirmed or if a different Transmitter code is sent, the receiver radio signal indicator will blink once and go out (the buzzer will ring one times), the programming will stop. If the programming stops, repeat previous steps.

Step 2-5: Repeat previous steps for each Transmitter to be learned.

NOTE: If a Transmitter becomes lost or if you want to delete a Transmitter, proceed to **4** ERASING ALL RECEIVER MEMORY and then reprogram the Receiver with the remaining Transmitters.



3. MULTI-BUTTON TRANSMITTERS

NOTE: Only ONE button of a Multi-button Transmitter can be programmed into a single Receiver. The other buttons are to control other Door Operators.

4. ERASING ALL RECEIVER MEMORY

Step 4-1: Press and hold the learn code button for 4 seconds or until Radio Signal Indicator goes out.

All Transmitter Codes are erased from Receiver memory.

Step 4-1: Reprogram the Receiver with the remaining Transmitter Codes (Repeat Step 2-2 through Step 2-4)

5. BATTERY INSTALLATION

Step 5-1: Battery replacement (your Transmitter is battery powered)

- Remove the back of case. (fig 3)
- Install new battery in the same position.
- install the back of case.

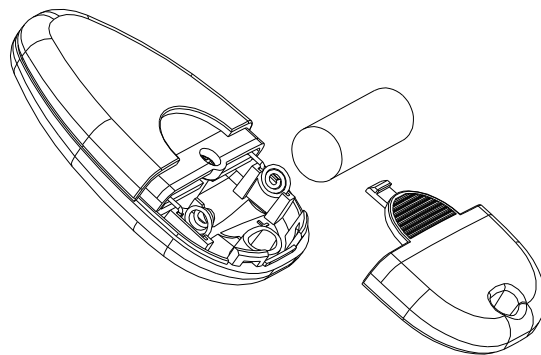


Fig 3

6. TRANSMITTER OPERATON

- Point Transmitter at the garage door and press the button. Door will move.
- Press the Transmitter Button again and the door will stop.
- Press the Transmitter Button again and the door will move the other way. The door automatically stops at the end of open or close cycle.

Federal Communications Commission (FCC) Statement:

This device complies with Part 15 of the FCC Rules. Operation is subject to the following two conditions:

1. **This device may not cause interference, and**
2. **This device must accept any interference received, including interference that may cause undesired operation of the device.**

Note: The manufacturer is not responsible for any radio of TV interference caused by unauthorized modification to this equipment. Such modification could void the user's authority to operate the equipment.